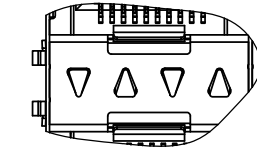
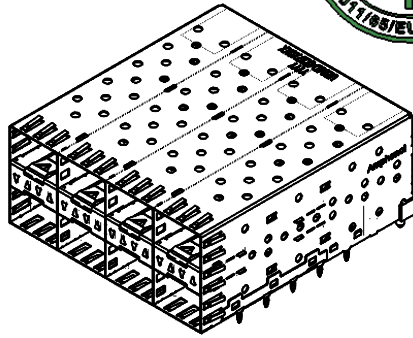
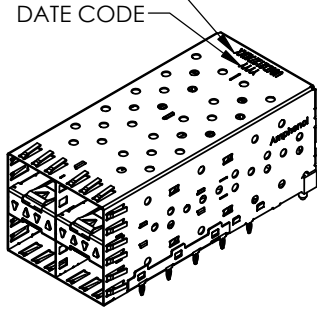




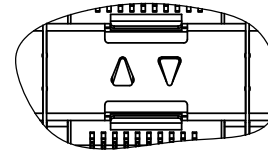
REVISIONS				
REV.	ECN	DESCRIPTION	DATE	APPROVED
A		PROPOSAL	MAR.27.14	J.SI

PART NUMBER
(LAST DIGIT INDICATING
PACKAGING TYPE, NOT
PRINTED ON THE PART)

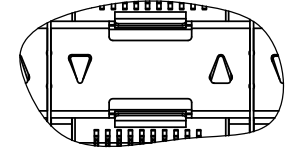
DATE CODE



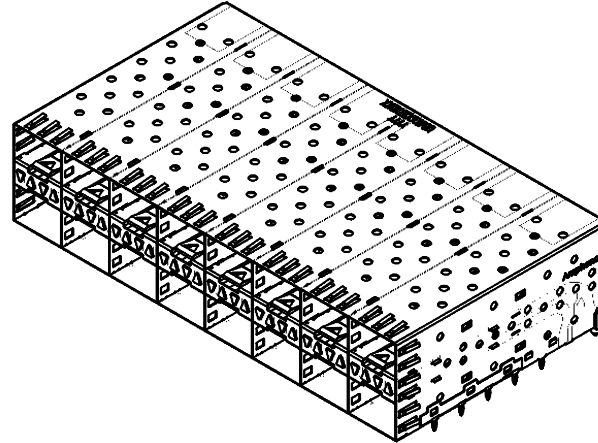
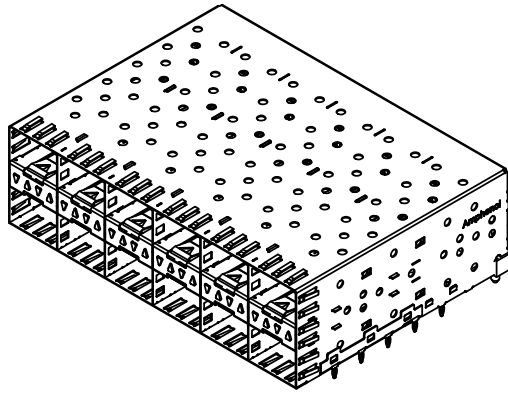
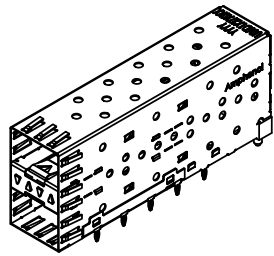
UE86-DX127-10XX1
(4 LIGHT PIPES PER 2X1)



UE86-DX127-20XX1
(2 INNER LIGHT PIPES PER 2X1)



UE86-DX127-30XX1
(2 INNER LIGHT PIPES PER 2X1)



MATERIAL: (RoHS COMPLIANT)

CAGE - PRESS FIT:
COPPER ALLOY

PLATING:

NICKEL 2.54 µm MIN.

CONNECTOR - PRESS FIT:

PLASTIC HOUSING:

LCP, FLAMMABILITY RATING UL94-V0.

CONTACTS:

PHOSPHOR BRONZE

PLATING OPTION:

SEE AMPHENOL PART NUMBER
CONFIGURATION FOR OPTIONS.

LIGHT PIPE:

CLEAR POLYCARBONATE, FLAMMABILITY
RATING UL94-V0.

PACKAGING:

TRAY PACKAGING.

TEMPERATURE RANGE:
-40°C TO +85°

AMPHENOL PART NUMBER CONFIGURATION

UE86 - D X 1 2 7 - X 0 X X 1

NUMBER OF PORTS

- 1 = 2X1
- 2 = 2X2
- 4 = 2X4
- 6 = 2X6
- 8 = 2X8

LIGHT PIPE CONFIGURATION

- 1 = 4 LIGHT PIPES PER 2X1
- 2 = 2 INNER LIGHT PIPES PER 2X1
- 3 = 2 OUTER LIGHT PIPES PER 2X1

PACKAGING

- 1 = TRAY

CAGE PLATING

- 2 = NICKEL
- 3 = MATTE TIN

PRESS FIT CONNECTOR PLATING

- 3 = 0.76 µm MIN. GOLD ON MATING AREA
- 3.81-7.62 µm MATTE TIN ON TERMINATION
- 6 = 0.38 µm MIN. GOLD ON MATING AREA
- 3.81-7.62 µm MATTE TIN ON TERMINATION

DO NOT SCALE DRAWING

THIS DOCUMENT CONTAINS PROPRIETARY INFORMATION AND SUCH INFORMATION MAY NOT BE DISCLOSED TO OTHERS FOR ANY PURPOSE OR USED FOR MANUFACTURING PURPOSES WITHOUT PERMISSION FROM AMPHENOL CANADA CORP.

UNLESS OTHERWISE SPECIFIED
DIMENSIONS ARE IN MILLIMETERS
TOLERANCES ARE:

DECIMALS	ANGLES
X.X ± 0.25	± 1°
X.XX ± 0.15	

MATERIAL AND FINISH

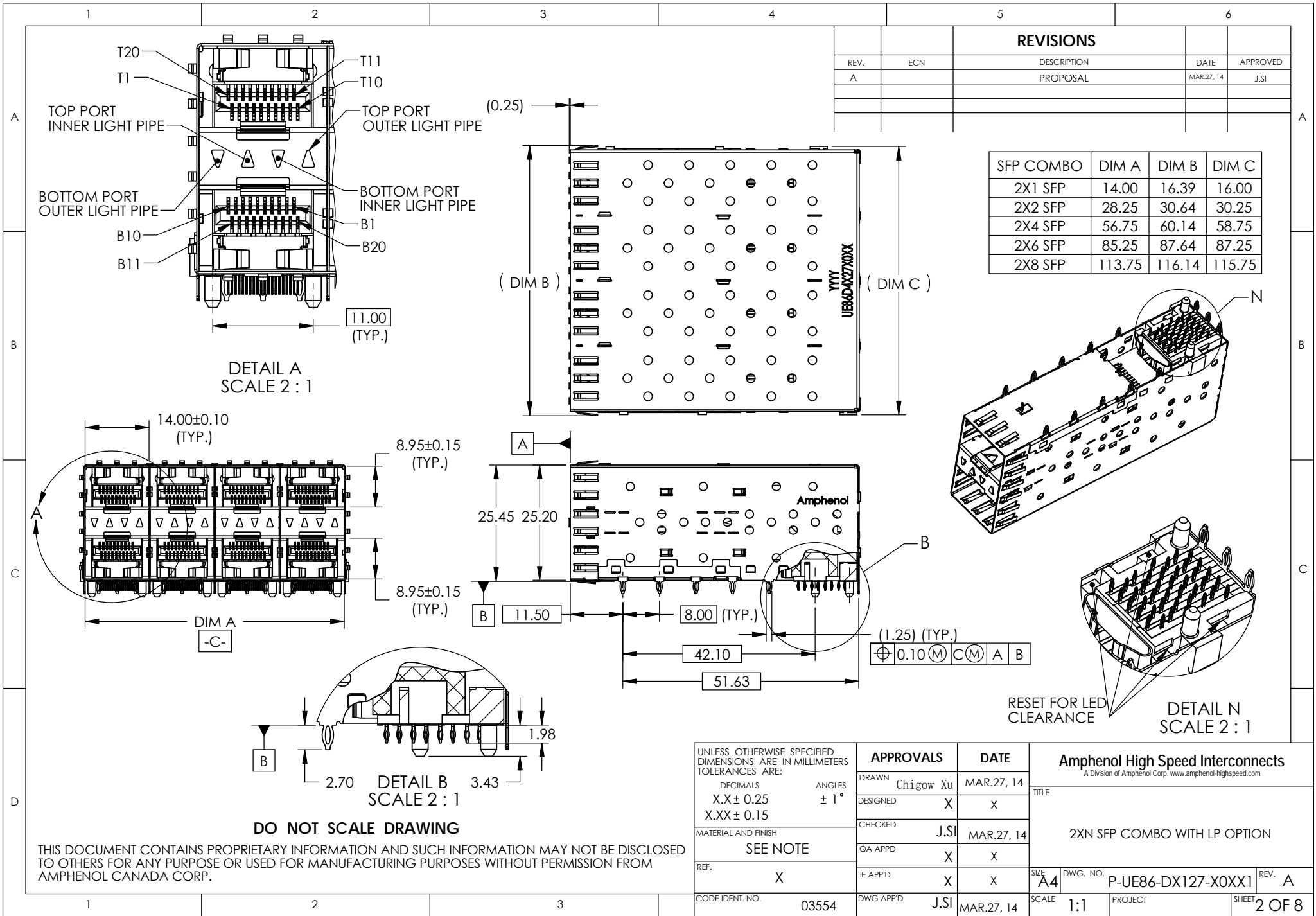
SEE NOTE

REF.	X
------	---

CODE IDENT. NO. 03554

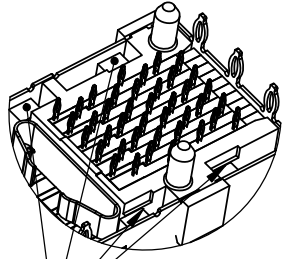
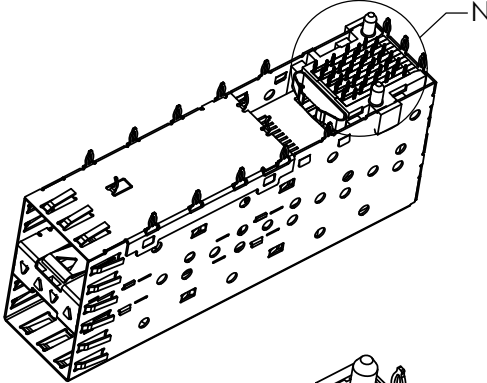
APPROVALS		DATE
DRAWN	Chigov Xu	MAR.27.14
DESIGNED	X	X
CHECKED	J.SI	MAR.27.14
QA APP'D	X	X
IE APP'D	X	X
DWG APP'D	J.SI	MAR.27.14

Amphenol High Speed Interconnects <small>A Division of Amphenol Corp. www.amphenol-highspeed.com</small>		
TITLE		
2XN SFP COMBO WITH LP OPTION		
SIZE	DWG. NO.	REV.
A4	P-UE86-DX127-X0XX1	A
SCALE	PROJECT	SHEET
2:3		1 OF 8



REVISIONS				
REV.	ECN	DESCRIPTION	DATE	APPROVED
A		PROPOSAL	MAR.27.14	J.SI

SFP COMBO	DIM A	DIM B	DIM C
2X1 SFP	14.00	16.39	16.00
2X2 SFP	28.25	30.64	30.25
2X4 SFP	56.75	60.14	58.75
2X6 SFP	85.25	87.64	87.25
2X8 SFP	113.75	116.14	115.75

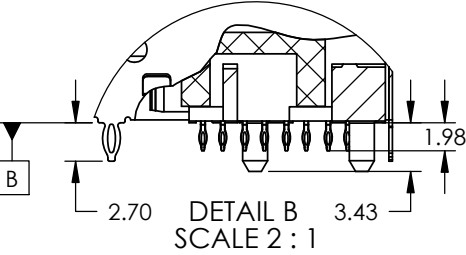
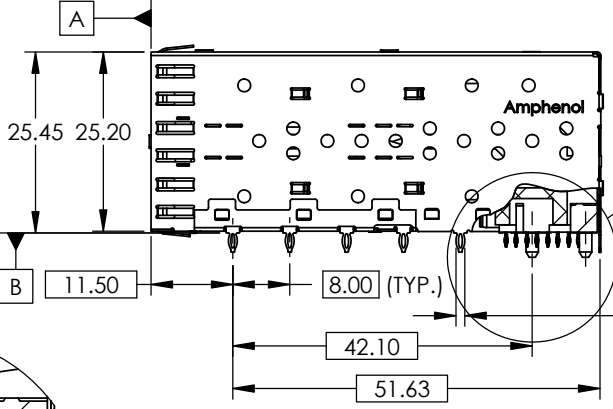
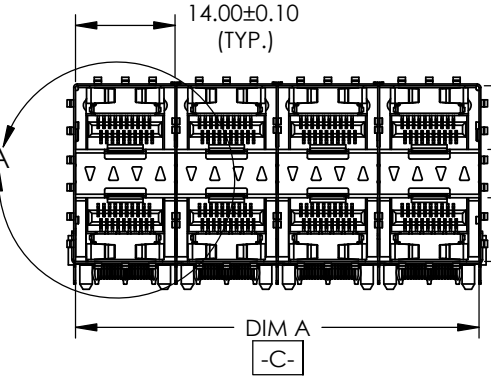


RESET FOR LED CLEARANCE

DETAIL N
SCALE 2 : 1

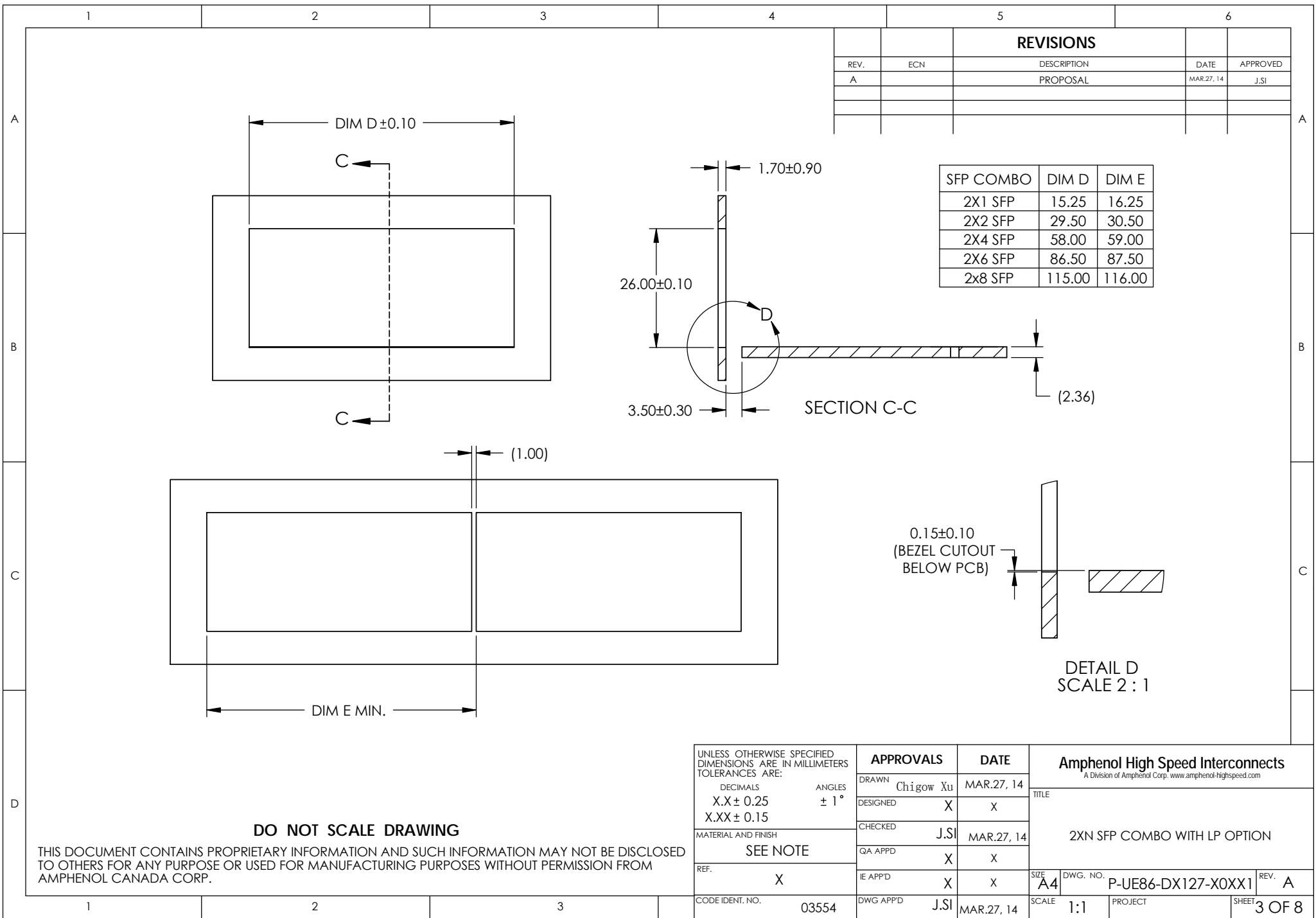
UNLESS OTHERWISE SPECIFIED DIMENSIONS ARE IN MILLIMETERS TOLERANCES ARE:		APPROVALS		DATE	
DECIMALS	ANGLES	DRAWN	Chigov Xu	MAR.27.14	
X.X ± 0.25	± 1°	DESIGNED	X	X	
X.XX ± 0.15		CHECKED	J.SI	MAR.27.14	
MATERIAL AND FINISH		QA APPD	X	X	
SEE NOTE		IE APPD	X	X	
REF.	X	DWG APPD	J.SI	MAR.27.14	
CODE IDENT. NO.	03554				

Amphenol High Speed Interconnects A Division of Amphenol Corp. www.amphenol-highspeed.com		
TITLE		
2XN SFP COMBO WITH LP OPTION		
SIZE A4	DWG. NO. P-UE86-DX127-XOXX1	REV. A
SCALE 1:1	PROJECT	SHEET 2 OF 8



DO NOT SCALE DRAWING

THIS DOCUMENT CONTAINS PROPRIETARY INFORMATION AND SUCH INFORMATION MAY NOT BE DISCLOSED TO OTHERS FOR ANY PURPOSE OR USED FOR MANUFACTURING PURPOSES WITHOUT PERMISSION FROM AMPHENOL CANADA CORP.



REVISIONS				
REV.	ECN	DESCRIPTION	DATE	APPROVED
A		PROPOSAL	MAR.27.14	J.SI

SFP COMBO	DIM D	DIM E
2X1 SFP	15.25	16.25
2X2 SFP	29.50	30.50
2X4 SFP	58.00	59.00
2X6 SFP	86.50	87.50
2x8 SFP	115.00	116.00

DO NOT SCALE DRAWING

THIS DOCUMENT CONTAINS PROPRIETARY INFORMATION AND SUCH INFORMATION MAY NOT BE DISCLOSED TO OTHERS FOR ANY PURPOSE OR USED FOR MANUFACTURING PURPOSES WITHOUT PERMISSION FROM AMPHENOL CANADA CORP.

UNLESS OTHERWISE SPECIFIED DIMENSIONS ARE IN MILLIMETERS TOLERANCES ARE: DECIMALS ANGLES X.X ± 0.25 ± 1° X.XX ± 0.15	APPROVALS		DATE
	DRAWN	Chigow Xu	MAR.27, 14
	DESIGNED	X	X
	CHECKED	J.SI	MAR.27, 14
	QA APP'D	X	X
MATERIAL AND FINISH	SEE NOTE		
REF.	X	IE APP'D	X X
CODE IDENT. NO.	03554	DWG APP'D	J.SI MAR.27, 14

Amphenol High Speed Interconnects <small>A Division of Amphenol Corp. www.amphenol-highspeed.com</small>		
TITLE		
2XN SFP COMBO WITH LP OPTION		
SIZE A4	DWG. NO. P-UE86-DX127-XOXX1	REV. A
SCALE 1:1	PROJECT	SHEET 3 OF 8

NOTES:

1. DATUM AND BASIC DIMENSIONS ESTABLISHED BY CUSTOMER.
2. 1.05 mm DIAMETER HOLES ARE CHASSIS GROUND (16 HOLES).

THIS AREA DENOTES COMPONENTS KEEP OUT (TRACES ALLOWED)

$\phi 1.85 \pm 0.05$
 $\oplus \phi 0.05 (M) D (M) X$
 -E-

$\phi 1.85 \pm 0.05$
 $\oplus \phi 0.05 (M) Z (M) X$
 -D-

$\phi 0.46 \pm 0.05$ (TYP.)
 $\oplus \phi 0.05 (M) D (M) E (M)$

CROSS-HATCH AREA DENOTES COMPONENTS AND TRACES KEEP OUT EXCEPT CHASSIS GROUND

$\phi 1.05 \pm 0.05$
 $\oplus \phi 0.05 (S) X Y$
 -Z-

$\phi 1.05 \pm 0.05$ (TYP.)
 $\oplus \phi 0.05 (S) Z (S) X$

BSC (SEE NOTE 1)

DO NOT SCALE DRAWING

THIS DOCUMENT CONTAINS PROPRIETARY INFORMATION AND SUCH INFORMATION MAY NOT BE DISCLOSED TO OTHERS FOR ANY PURPOSE OR USED FOR MANUFACTURING PURPOSES WITHOUT PERMISSION FROM AMPHENOL CANADA CORP.

2X1 PCB LAYOUT

REVISIONS

REV.	ECN	DESCRIPTION	DATE	APPROVED
A		PROPOSAL	MAR.27.14	J.SI

UNLESS OTHERWISE SPECIFIED DIMENSIONS ARE IN MILLIMETERS TOLERANCES ARE:

DECIMALS ANGLES
 X.X ± 0.25 ± 1°
 X.XX ± 0.15

MATERIAL AND FINISH

SEE NOTE

REF. X

CODE IDENT. NO. 03554

APPROVALS		DATE
DRAWN	Chigow Xu	MAR.27, 14
DESIGNED	X	X
CHECKED	J.SI	MAR.27, 14
QA APP'D	X	X
IE APP'D	X	X
DWG APP'D	J.SI	MAR.27, 14

Amphenol High Speed Interconnects
 A Division of Amphenol Corp. www.amphenol-highspeed.com

TITLE
2XN SFP COMBO WITH LP OPTION

SIZE **A4** DWG. NO. **P-UE86-DX127-X0XX1** REV. **A**

SCALE **1:1** PROJECT SHEET **4 OF 8**

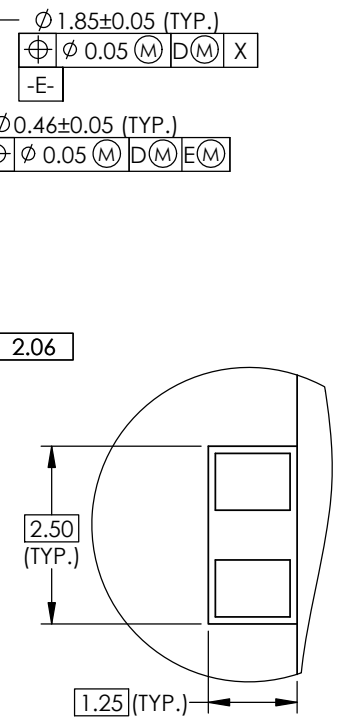
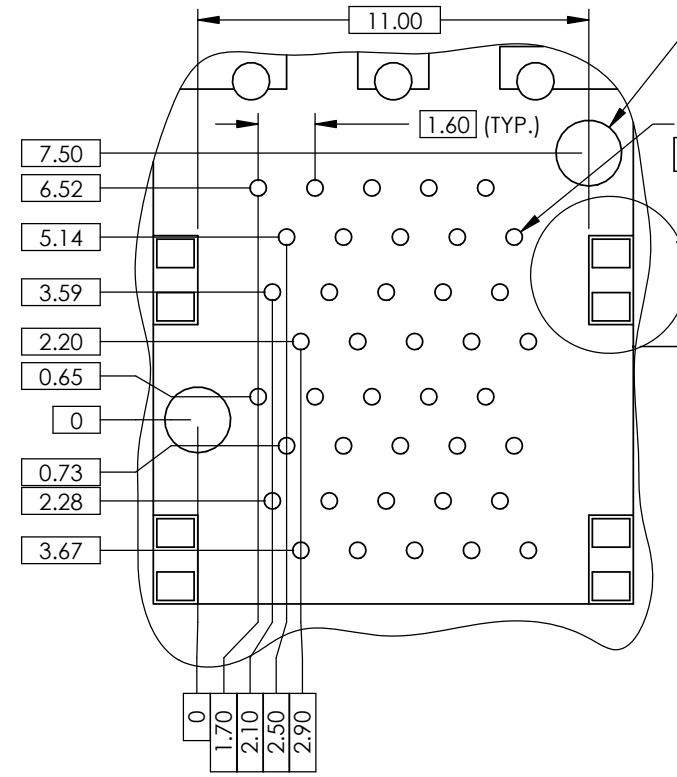
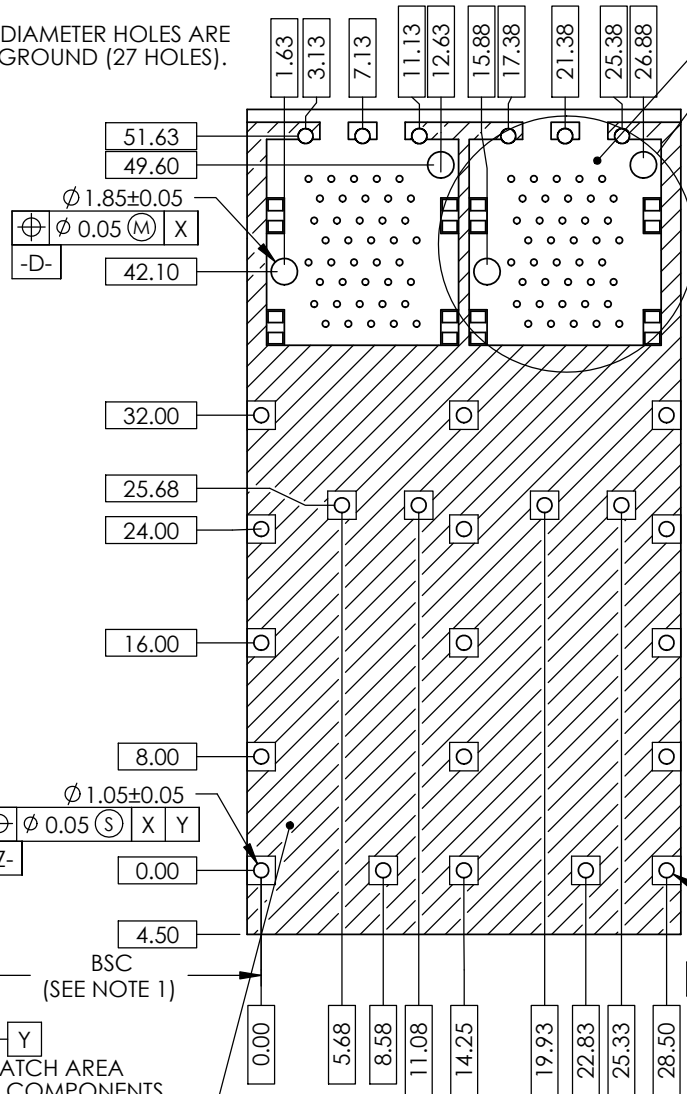
NOTES:

- DATUM AND BASIC DIMENSIONS ESTABLISHED BY CUSTOMER.
- 1.05 mm DIAMETER HOLES ARE CHASSIS GROUND (27 HOLES).

REVISIONS

REV.	ECN	DESCRIPTION	DATE	APPROVED
A		PROPOSAL	MAR.27.14	J.SI

THIS AREA DENOTES COMPONENTS KEEP OUT (TRACES ALLOWED)



DETAIL E
SCALE 5 : 1

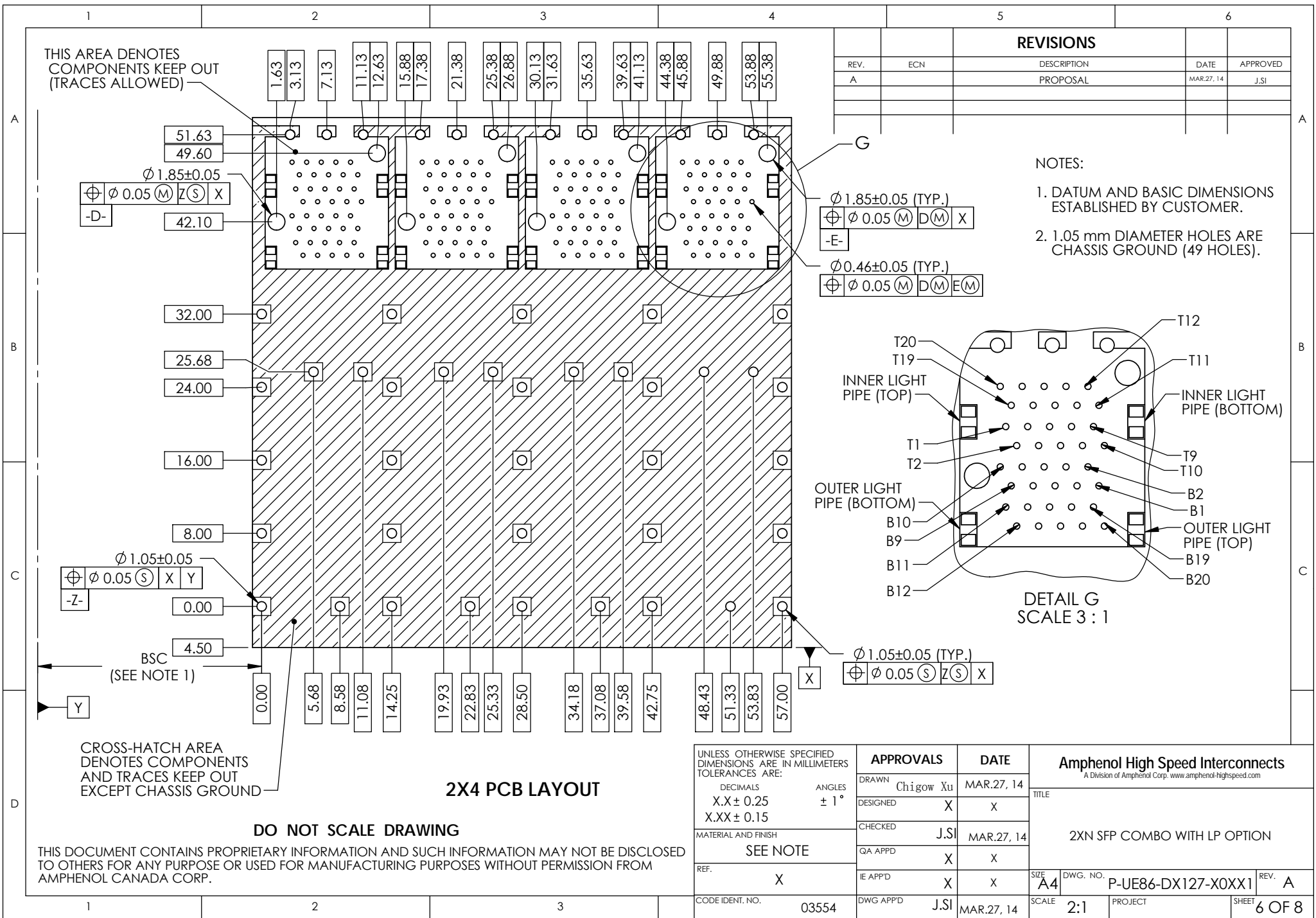
DETAIL F
SCALE 10 : 1

DO NOT SCALE DRAWING 2X2 PCB LAYOUT

CROSS-HATCH AREA DENOTES COMPONENTS AND TRACES KEEP OUT EXCEPT CHASSIS GROUND

THIS DOCUMENT CONTAINS PROPRIETARY INFORMATION AND SUCH INFORMATION MAY NOT BE DISCLOSED TO OTHERS FOR ANY PURPOSE OR USED FOR MANUFACTURING PURPOSES WITHOUT PERMISSION FROM AMPHENOL CANADA CORP.

UNLESS OTHERWISE SPECIFIED DIMENSIONS ARE IN MILLIMETERS TOLERANCES ARE: DECIMALS X.X ± 0.25 X.XX ± 0.15 ANGLES ± 1°	APPROVALS		DATE	Amphenol High Speed Interconnects A Division of Amphenol Corp. www.amphenol-highspeed.com
	DRAWN	Chigow Xu	MAR.27, 14	
	DESIGNED	X	X	
	CHECKED	J.SI	MAR.27, 14	
MATERIAL AND FINISH	SEE NOTE		QA APPD	X
REF.	X	IE APPD	X	X
CODE IDENT. NO.	03554	DWG APPD	J.SI	MAR.27, 14
TITLE			2X2N SFP COMBO WITH LP OPTION	
SIZE	A4	DWG. NO.	P-UE86-DX127-XOXX1	REV. A
SCALE	2:1	PROJECT	SHEET 5 OF 8	



THIS AREA DENOTES COMPONENTS KEEP OUT (TRACES ALLOWED)

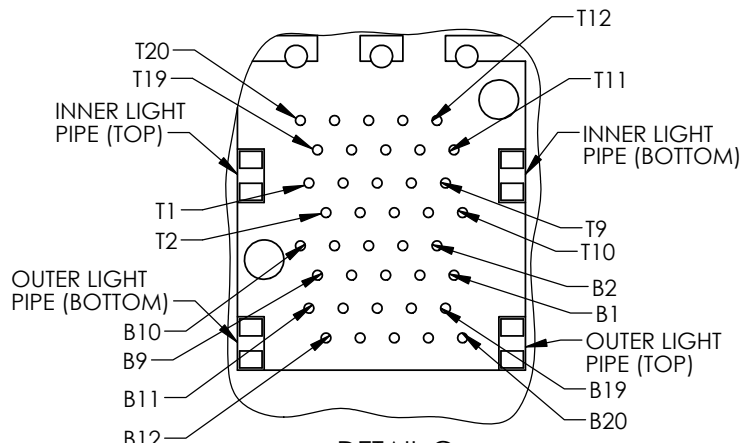
REVISIONS

REV.	ECN	DESCRIPTION	DATE	APPROVED
A		PROPOSAL	MAR.27.14	J.SI

NOTES:

1. DATUM AND BASIC DIMENSIONS ESTABLISHED BY CUSTOMER.
2. 1.05 mm DIAMETER HOLES ARE CHASSIS GROUND (49 HOLES).

$\varnothing 1.85 \pm 0.05$ (TYP.)
 $\varnothing 0.05$ (M) (D) (M) (X)
 -E-
 $\varnothing 0.46 \pm 0.05$ (TYP.)
 $\varnothing 0.05$ (M) (D) (M) (E) (M)



DETAIL G
SCALE 3:1

2X4 PCB LAYOUT

DO NOT SCALE DRAWING

THIS DOCUMENT CONTAINS PROPRIETARY INFORMATION AND SUCH INFORMATION MAY NOT BE DISCLOSED TO OTHERS FOR ANY PURPOSE OR USED FOR MANUFACTURING PURPOSES WITHOUT PERMISSION FROM AMPHENOL CANADA CORP.

UNLESS OTHERWISE SPECIFIED DIMENSIONS ARE IN MILLIMETERS TOLERANCES ARE:

DECIMALS	ANGLES
X.X ± 0.25	± 1°
X.XX ± 0.15	

MATERIAL AND FINISH: SEE NOTE

REF: X

CODE IDENT. NO. 03554

APPROVALS		DATE
DRAWN	Chigow Xu	MAR.27, 14
DESIGNED	X	X
CHECKED	J.SI	MAR.27, 14
QA APPD	X	X
IE APPD	X	X
DWG APPD	J.SI	MAR.27, 14

Amphenol High Speed Interconnects A Division of Amphenol Corp. www.amphenol-highspeed.com	
TITLE	
2XN SFP COMBO WITH LP OPTION	
SIZE A4	DWG. NO. P-UE86-DX127-XOXX1
SCALE 2:1	PROJECT
REV. A	SHEET 6 OF 8

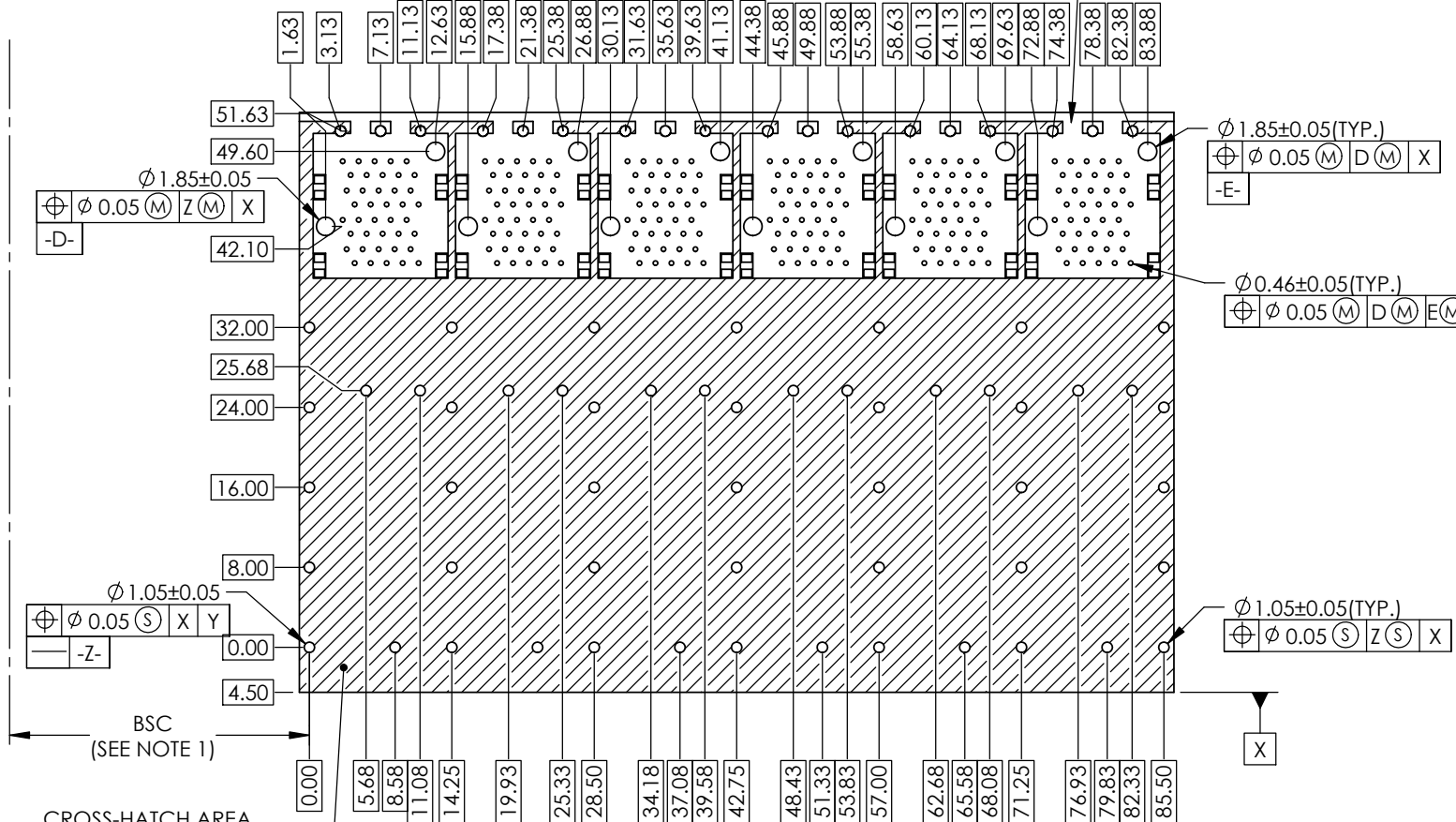
NOTES:

- DATUM AND BASIC DIMENSIONS ESTABLISHED BY CUSTOMER.
- 1.05 mm DIAMETER HOLES ARE CHASSIS GROUND (71 HOLES).

THIS AREA DENOTES COMPONENTS KEEP OUT (TRACES ALLOWED)

REVISIONS

REV.	ECN	DESCRIPTION	DATE	APPROVED
A		PROPOSAL	MAR.27.14	J.SI



CROSS-HATCH AREA DENOTES COMPONENTS AND TRACES KEEP OUT EXCEPT CHASSIS GROUND

2X6 PCB LAYOUT

DO NOT SCALE DRAWING

THIS DOCUMENT CONTAINS PROPRIETARY INFORMATION AND SUCH INFORMATION MAY NOT BE DISCLOSED TO OTHERS FOR ANY PURPOSE OR USED FOR MANUFACTURING PURPOSES WITHOUT PERMISSION FROM AMPHENOL CANADA CORP.

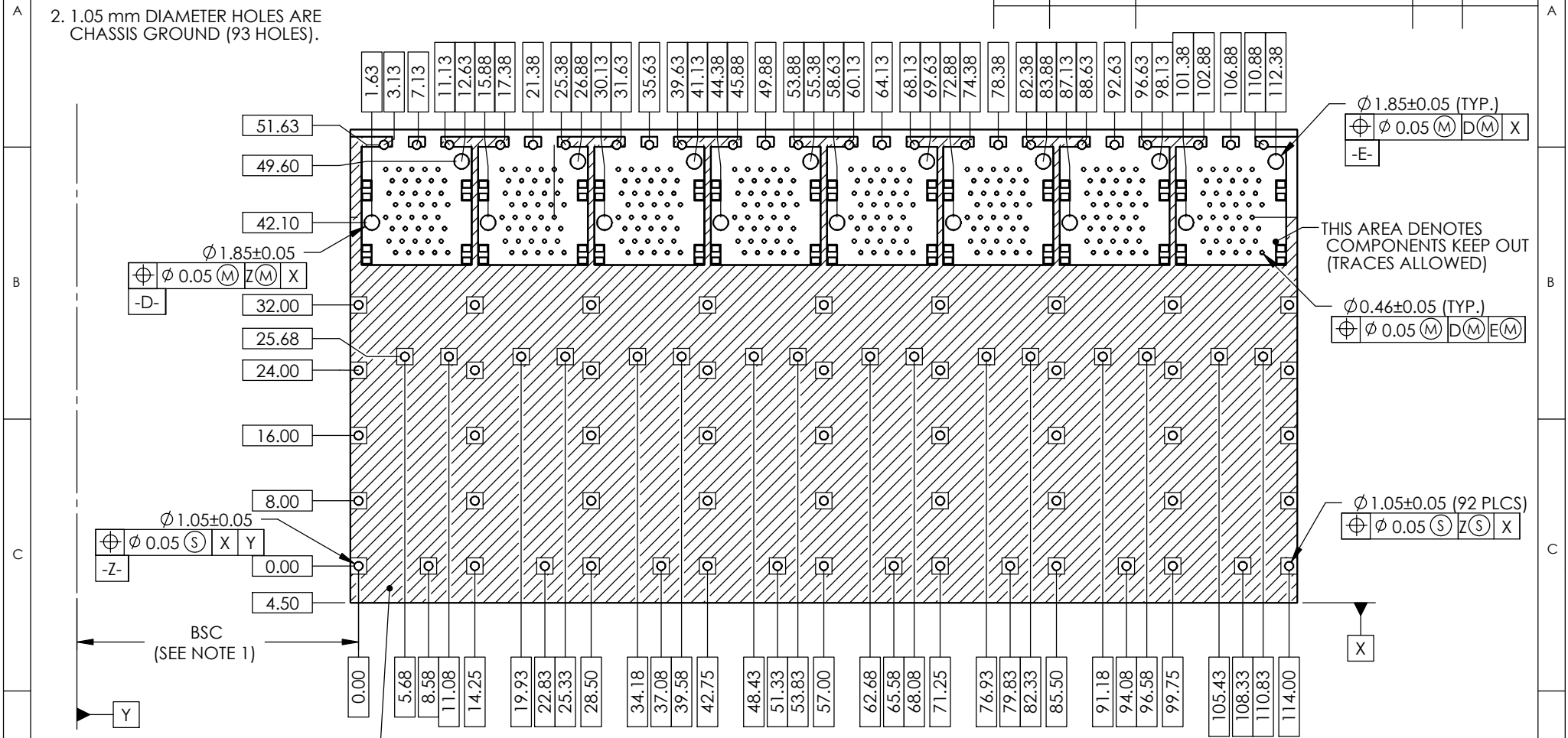
UNLESS OTHERWISE SPECIFIED DIMENSIONS ARE IN MILLIMETERS TOLERANCES ARE:		APPROVALS		DATE		Amphenol High Speed Interconnects A Division of Amphenol Corp. www.amphenol-highspeed.com	
DECIMALS	ANGLES	DRAWN	Chigow Xu	MAR.27.14	TITLE		
X.X ± 0.25	± 1°	DESIGNED	X	X	2XN SFP COMBO WITH LP OPTION		
X.XX ± 0.15		CHECKED	J.SI	MAR.27.14			
MATERIAL AND FINISH		QA APPD	X	X	SIZE		
SEE NOTE		IE APPD	X	X	A4		DWG. NO. P-UE86-DX127-XOXX1
REF.	X	DWG APPD	J.SI	MAR.27.14	SCALE		1:2
CODE IDENT. NO.	03554			PROJECT		SHEET 7 OF 8	

NOTES:

1. DATUM AND BASIC DIMENSIONS ESTABLISHED BY CUSTOMER.
2. 1.05 mm DIAMETER HOLES ARE CHASSIS GROUND (93 HOLES).

REVISIONS

REV.	ECN	DESCRIPTION	DATE	APPROVED
A		PROPOSAL	MAR.27.14	J.SI



CROSS-HATCH AREA DENOTES COMPONENTS AND TRACES KEEP OUT EXCEPT CHASSIS GROUND

2X8 PCB LAYOUT

DO NOT SCALE DRAWING

THIS DOCUMENT CONTAINS PROPRIETARY INFORMATION AND SUCH INFORMATION MAY NOT BE DISCLOSED TO OTHERS FOR ANY PURPOSE OR USED FOR MANUFACTURING PURPOSES WITHOUT PERMISSION FROM AMPHENOL CANADA CORP.

UNLESS OTHERWISE SPECIFIED DIMENSIONS ARE IN MILLIMETERS TOLERANCES ARE:		APPROVALS		DATE		Amphenol High Speed Interconnects A Division of Amphenol Corp. www.amphenol-highspeed.com	
DECIMALS	ANGLES	DRAWN	Chigow Xu	MAR.27.14	TITLE		
X.X ± 0.25	± 1°	DESIGNED	X	X	2XN SFP COMBO WITH LP OPTION		
X.XX ± 0.15		CHECKED	J.SI	MAR.27.14			
MATERIAL AND FINISH		QA APPD	X	X	SIZE	DWG. NO.	REV.
SEE NOTE		IE APPD	X	X	A4	P-UE86-DX127-XOXX1	A
REF.	X	SCALE	1:1	PROJECT	SHEET 8 OF 8		
CODE IDENT. NO.	03554	DWG APPD	J.SI	MAR.27.14			



Компания «ЭлектроПласт» предлагает заключение долгосрочных отношений при поставках импортных электронных компонентов на взаимовыгодных условиях!

Наши преимущества:

- Оперативные поставки широкого спектра электронных компонентов отечественного и импортного производства напрямую от производителей и с крупнейших мировых складов;
- Поставка более 17-ти миллионов наименований электронных компонентов;
- Поставка сложных, дефицитных, либо снятых с производства позиций;
- Оперативные сроки поставки под заказ (от 5 рабочих дней);
- Экспресс доставка в любую точку России;
- Техническая поддержка проекта, помощь в подборе аналогов, поставка прототипов;
- Система менеджмента качества сертифицирована по Международному стандарту ISO 9001;
- Лицензия ФСБ на осуществление работ с использованием сведений, составляющих государственную тайну;
- Поставка специализированных компонентов (Xilinx, Altera, Analog Devices, Intersil, Interpoint, Microsemi, Aeroflex, Peregrine, Syfer, Eurofarad, Texas Instrument, Miteq, Cobham, E2V, MA-COM, Hittite, Mini-Circuits, General Dynamics и др.);

Помимо этого, одним из направлений компании «ЭлектроПласт» является направление «Источники питания». Мы предлагаем Вам помощь Конструкторского отдела:

- Подбор оптимального решения, техническое обоснование при выборе компонента;
- Подбор аналогов;
- Консультации по применению компонента;
- Поставка образцов и прототипов;
- Техническая поддержка проекта;
- Защита от снятия компонента с производства.



Как с нами связаться

Телефон: 8 (812) 309 58 32 (многоканальный)

Факс: 8 (812) 320-02-42

Электронная почта: org@eplast1.ru

Адрес: 198099, г. Санкт-Петербург, ул. Калинина, дом 2, корпус 4, литера А.