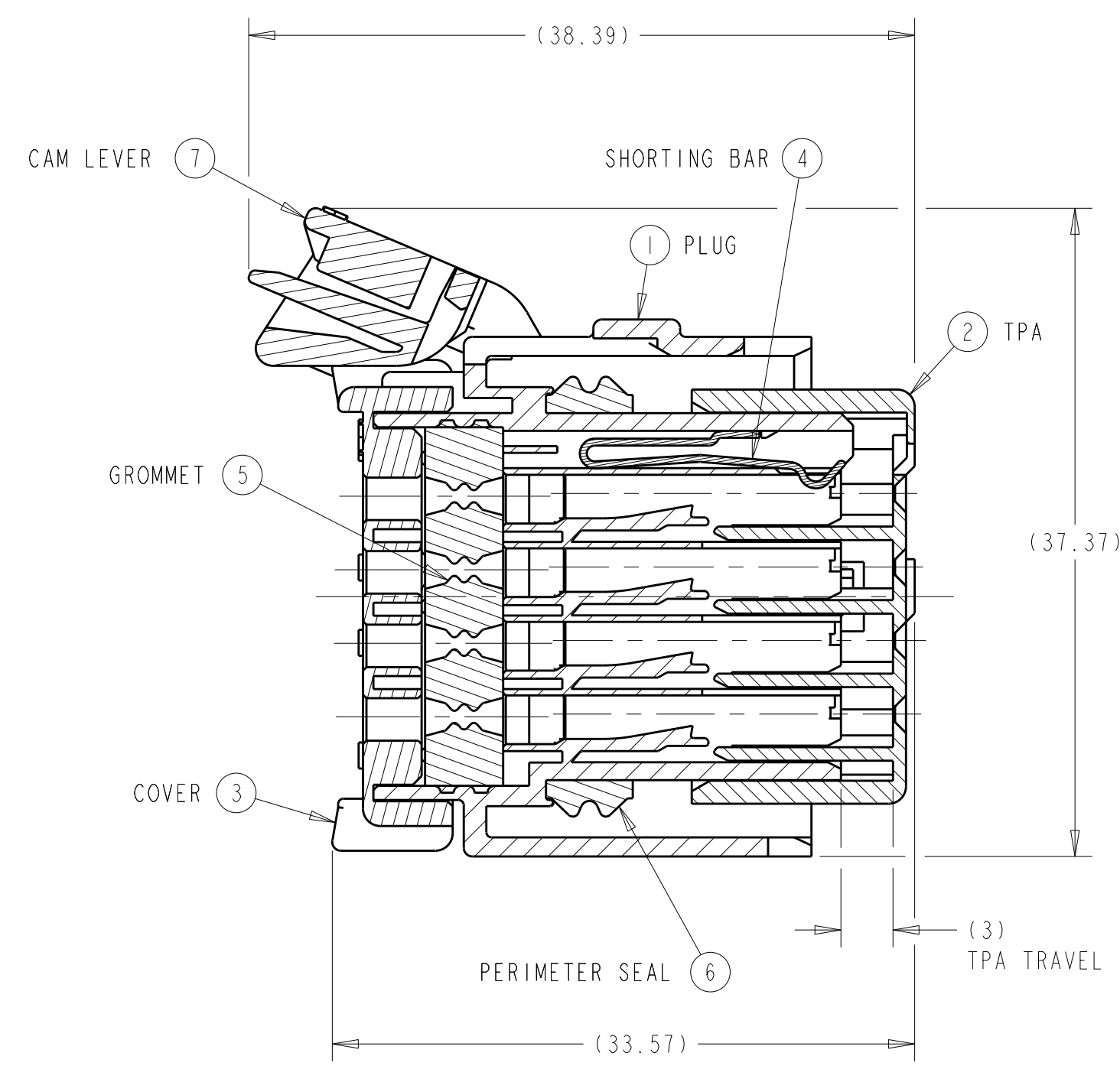
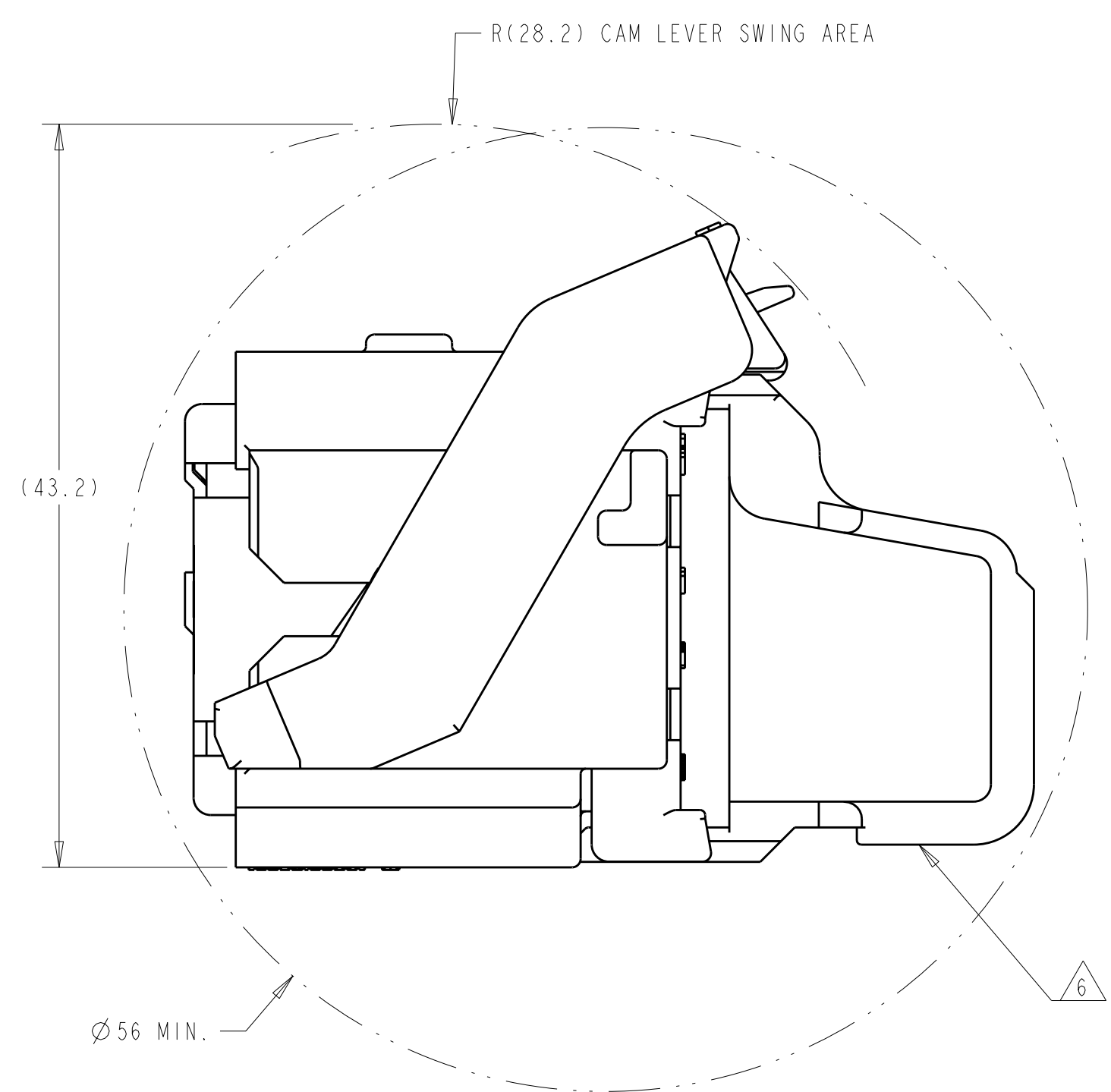
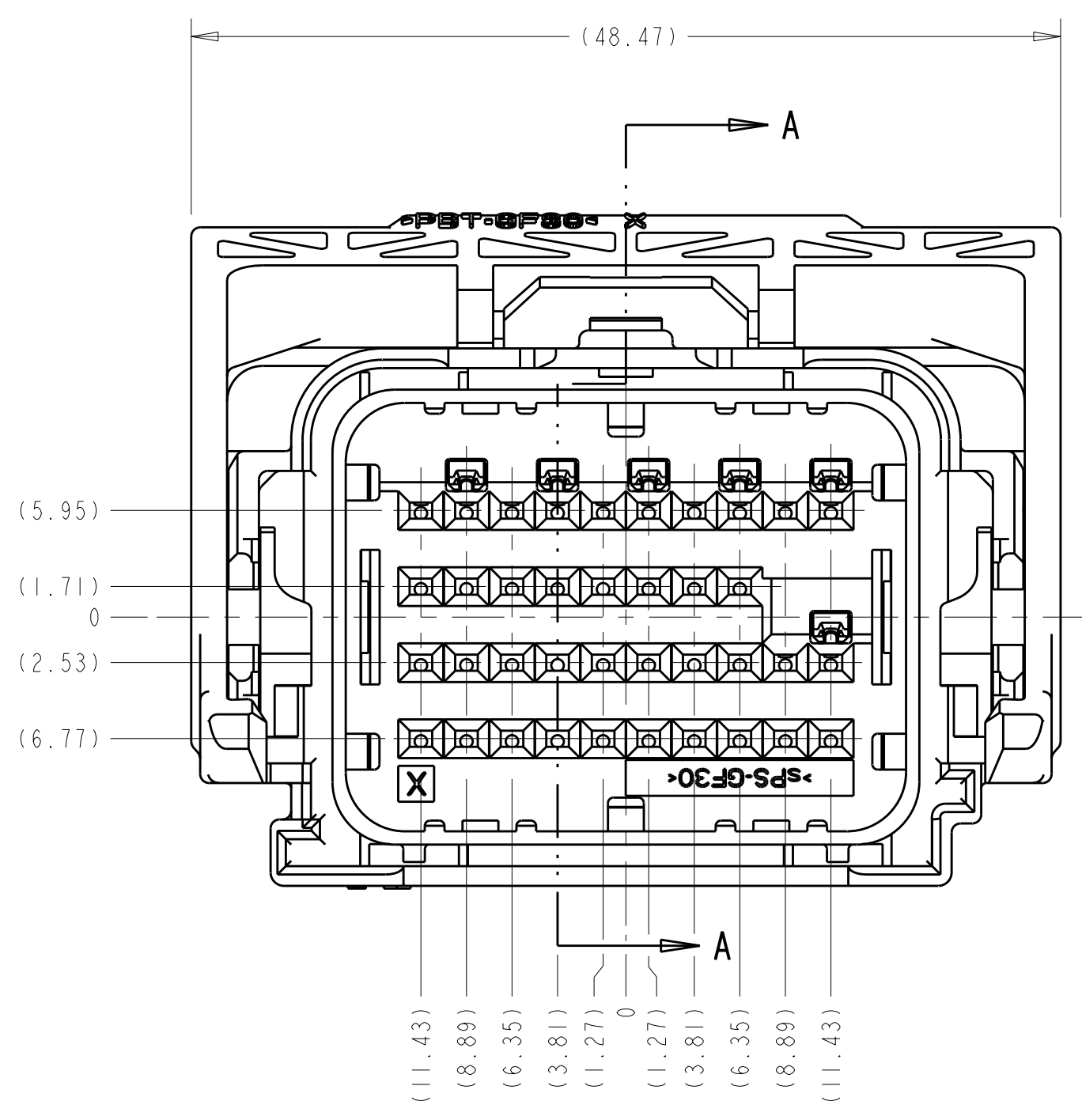


REVISONS		DATE	OWN	APVD
FX	00	21 JUL 2008	RGV	WTW
DESCRIPTION				
REV PER ECO 08-017679				

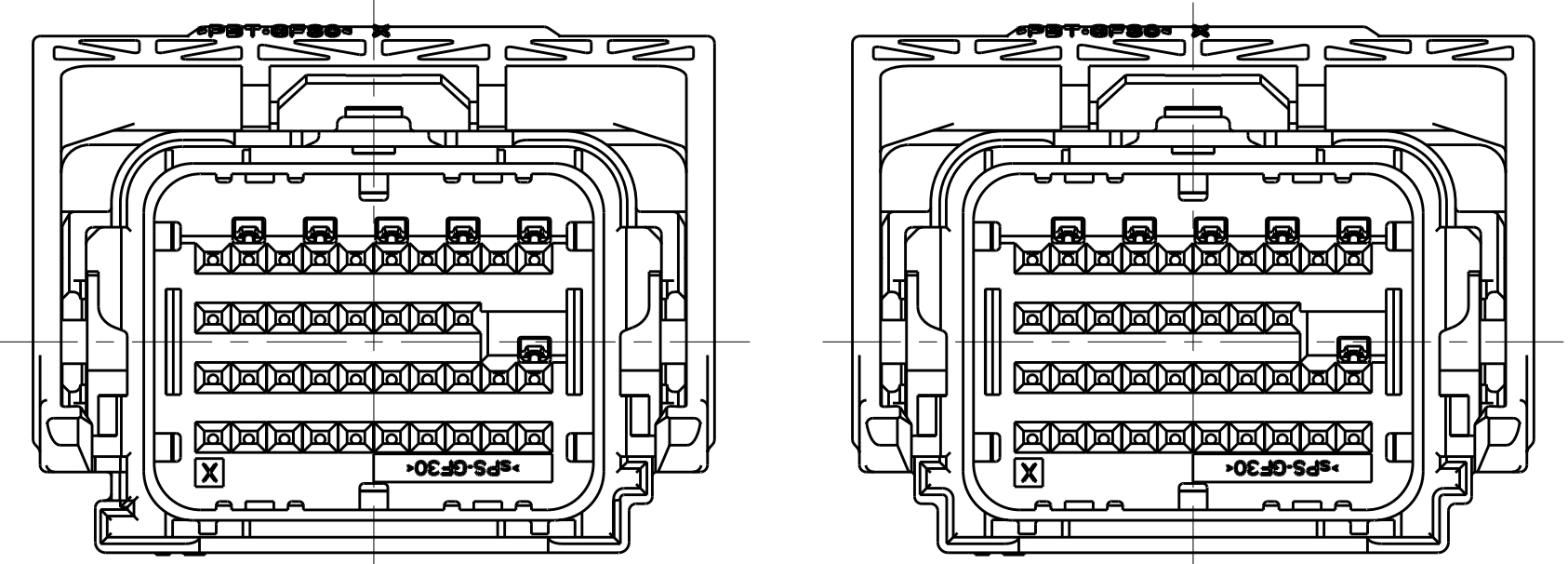


SECTION A-A  
 SHOWN WITH CAM LEVER  
 AND TPA IN THEIR  
 PRE-LOADED POSITIONS  
 (DELIVERY CONDITION)



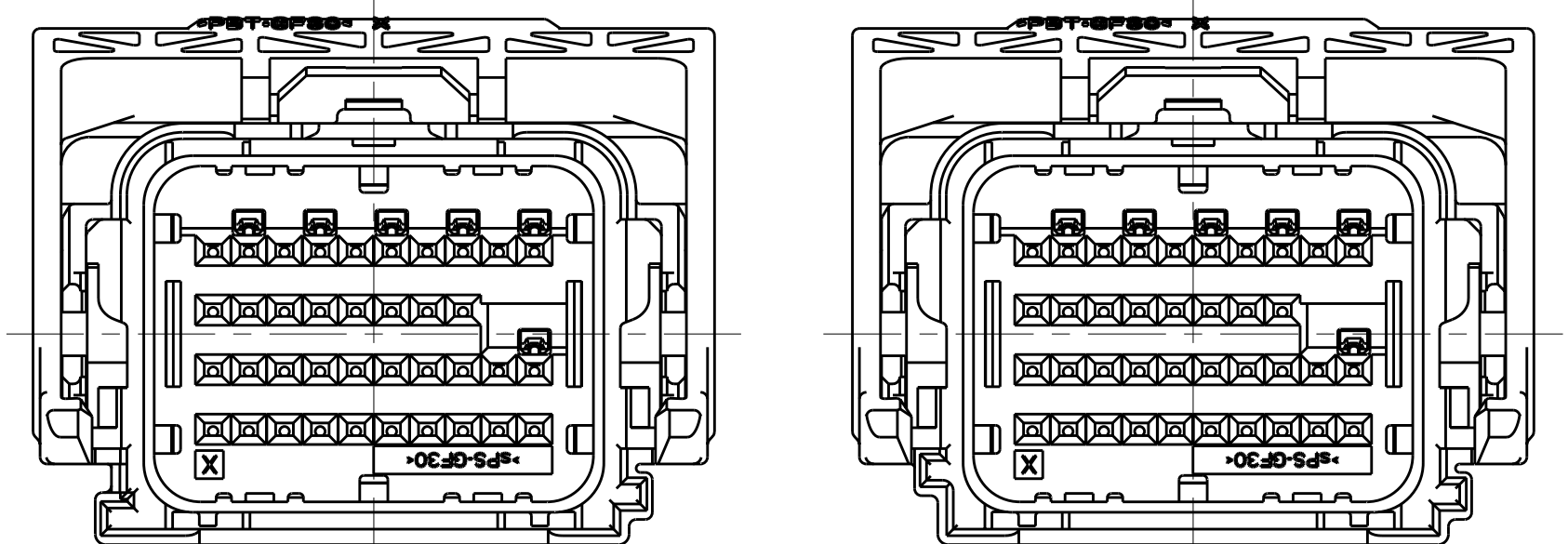
MINIMUM FEED THROUGH CONDITION  
 WITH 1mm CLEARANCE ALL AROUND  
 SHOWN WITH OPTION WIRESHIELD  
 TPA IS IN IT'S LOADED POSITION  
 CAM LEVER IS IN IT'S PRE-LOADED POSITION

KEYING OPTIONS  
 SCALE 2:1



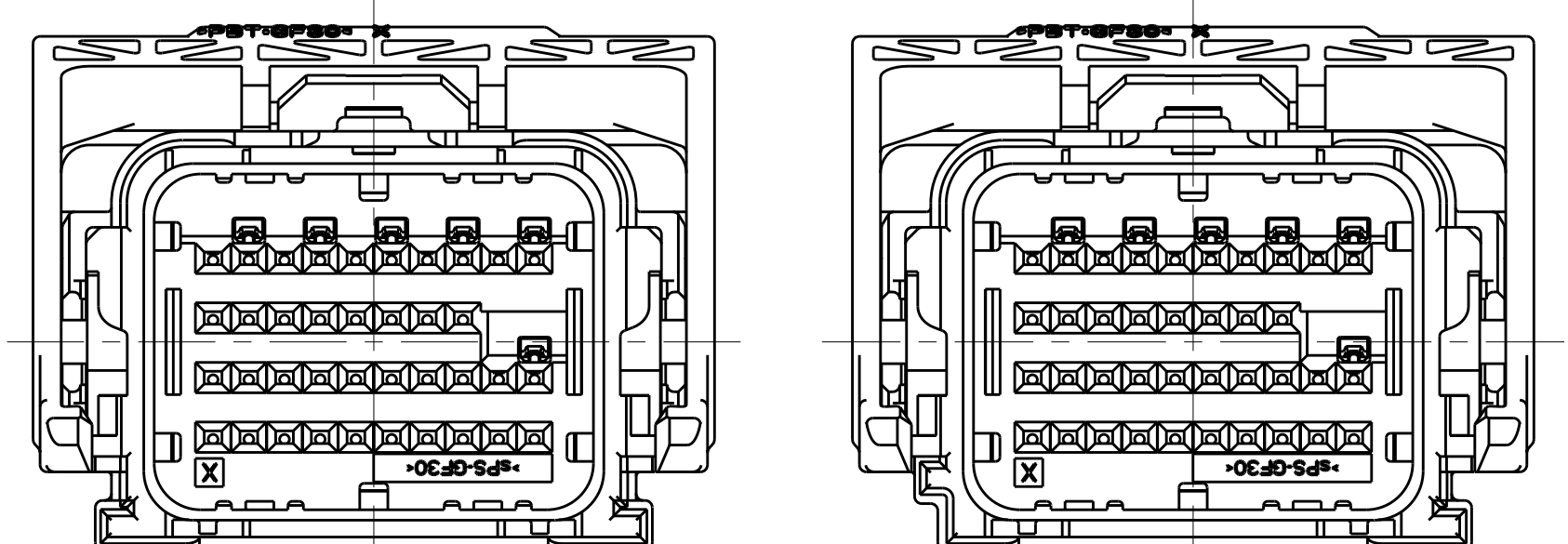
OPTION "G"

OPTION "H"



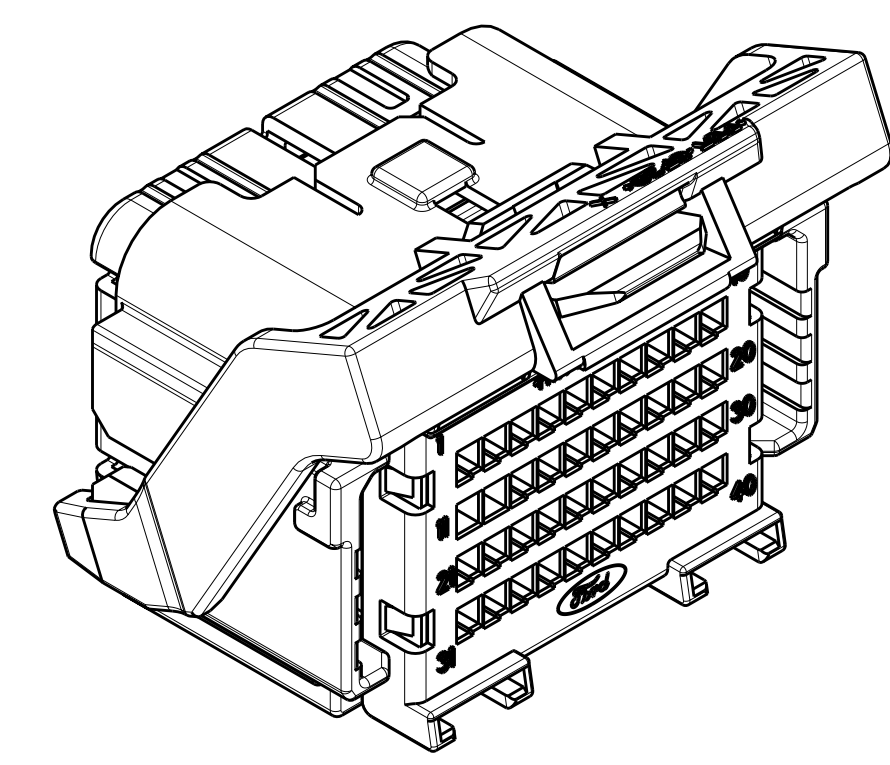
OPTION "J"

OPTION "K"

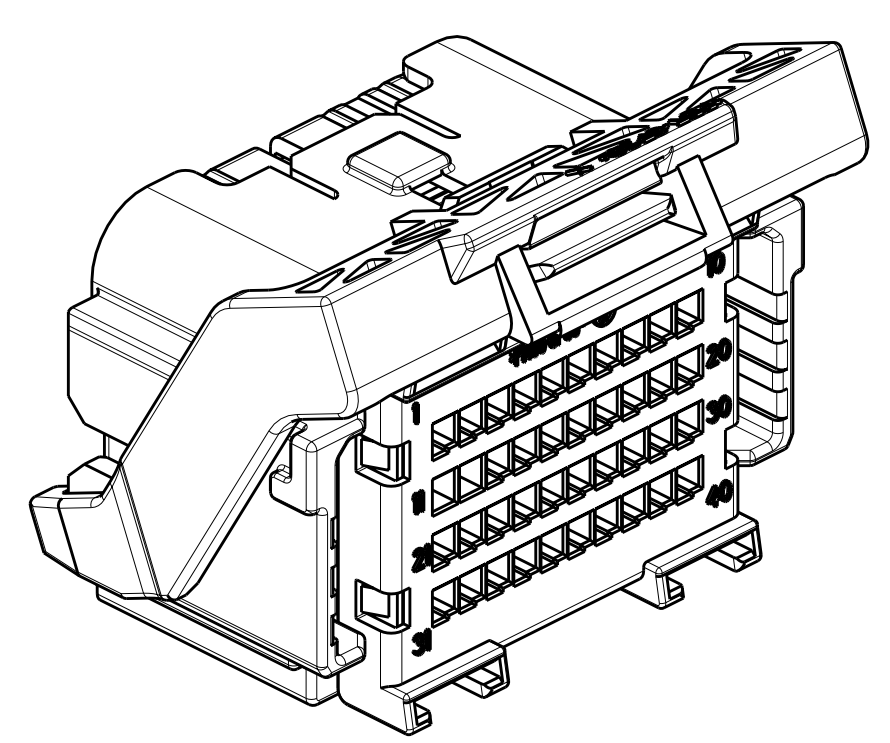


OPTION "L"

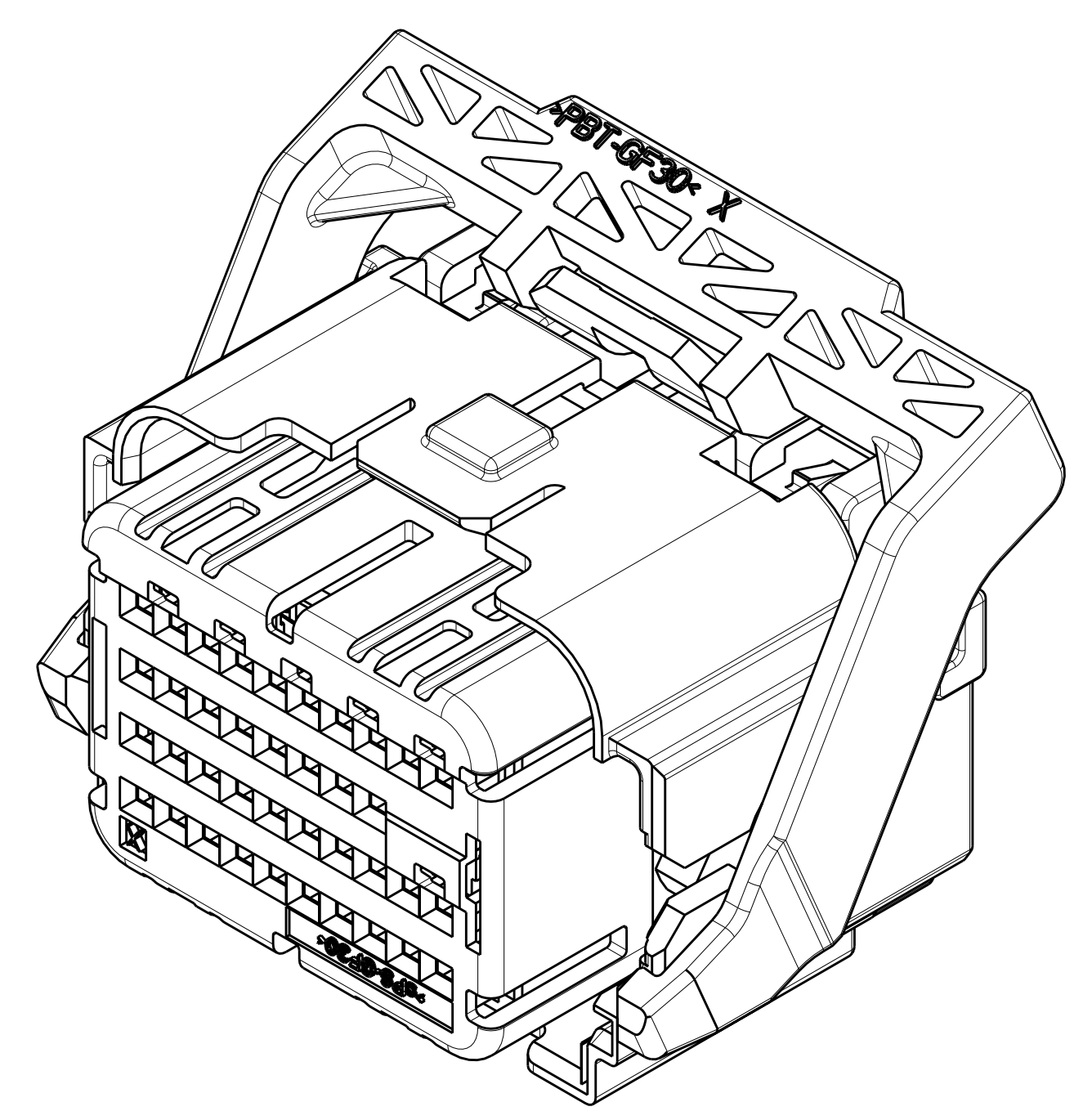
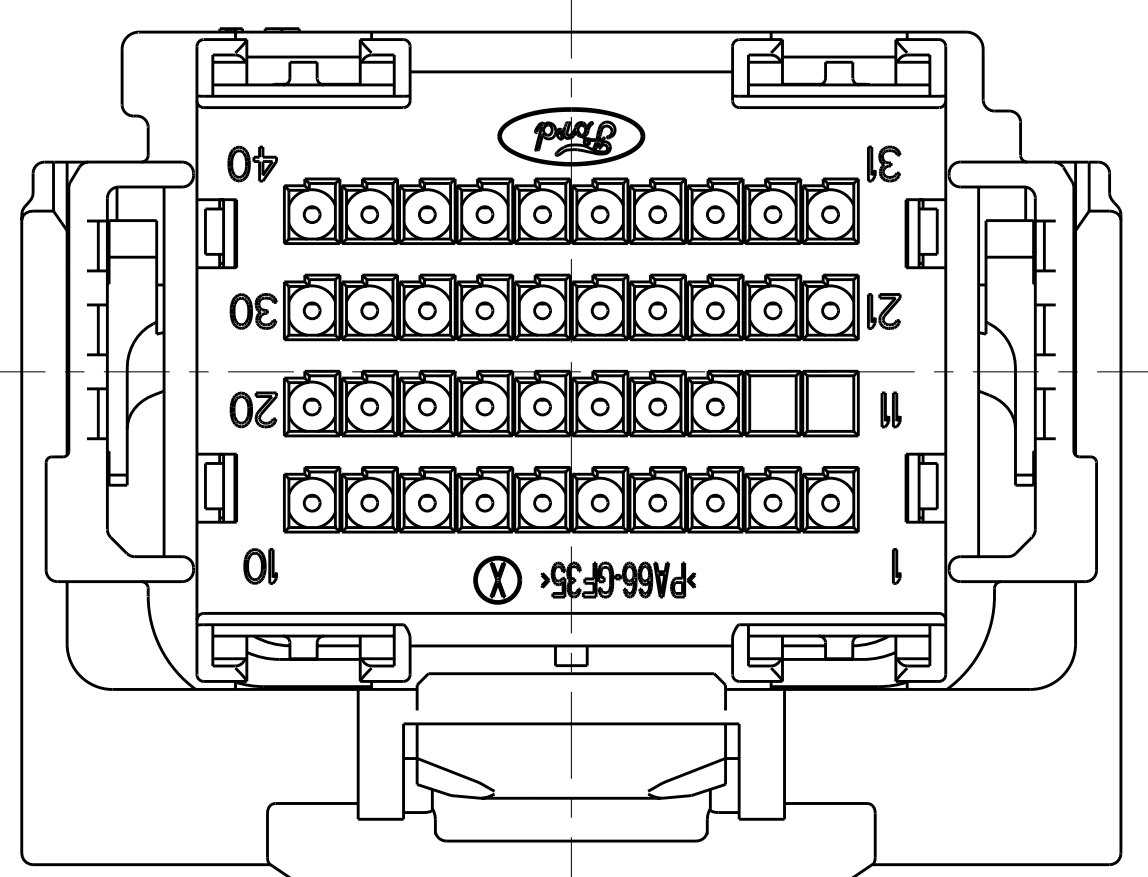
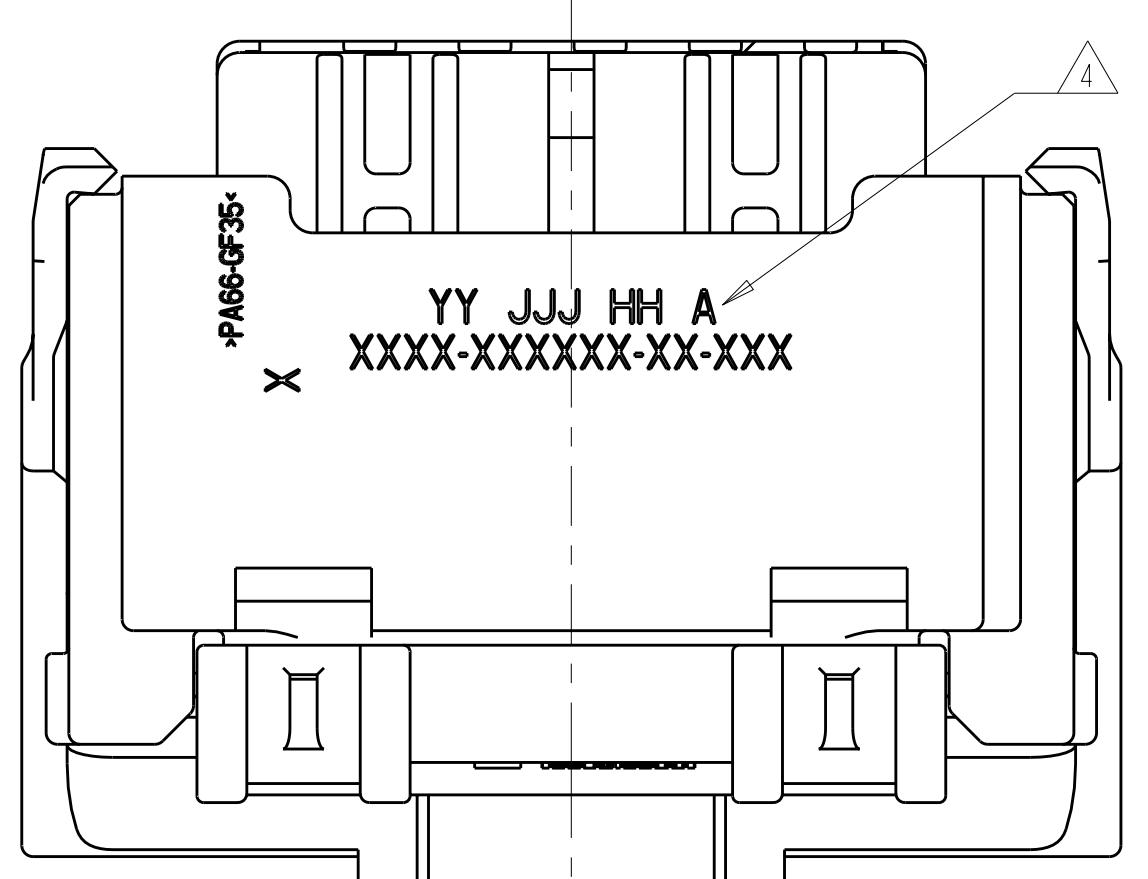
OPTION "M"



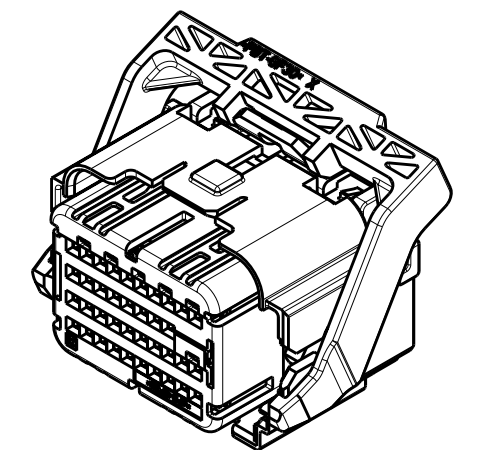
SCALE 2:1



THIS VIEW SHOWS THE  
 MODIFIED CAM LEVER  
 SCALE 2:1



- NOTE(S):
- APPLICABLE TERMINAL PART NUMBERS (SOLD SEPARATELY):  
 FOR TIN APPLICATIONS: 1393367 AND 1393366.  
 FOR GOLD APPLICATIONS: 1393365 AND 1393364.  
 FOR TERMINATION AND REELING OPTIONS  
 SEE DRAWINGS 1393367, 1393366, 1393365, AND 1393364.
  - COMPATIBLE WIRE SIZES FOR MAT SEAL DESIGN 1.19 TO 2.06 O.D.  
 (22-18 AWG, 0.35-0.75 mm<sup>2</sup>)
  - TPA AND CAM LEVER ARE SHIPPED IN THEIR PRE-LOADED POSITION.  
 ALL ASSEMBLIES ARE TO BE TRAY PACKAGED.
  - CUSTOMER PART NUMBER AND TRACEABILITY CODE (YY = TWO DIGIT YEAR,  
 JJJ = JULIAN DAY, HH = TWO DIGIT MILITARY HOUR, A=ASSEMBLY PROCESS  
 USED) ARE PRINTED IN THIS LOCATION.
  - PART ASSEMBLY WEIGHT WITHOUT TERMINALS AND WITH STANDARD PIN-OUT  
 CONFIGURATION IS 26.09 GRAMS.
  - OPTIONAL WIRESHIELD P/N 8-1419157-8 (SOLD SEPARATELY). PLEASE CONTACT  
 YOUR TYCO ELECTRONICS SALES REPRESENTATIVE FOR AVAILABILITY AND PRICING.



SCALE 1:1

KEYING OPTION "G" SHOWN  
 SEE SHEET 2 FOR BILL OF MATERIALS  
 AND SHEET 3 FOR PIN-OUT CHARTS

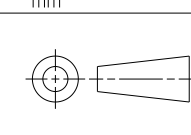
DIMENSIONS:		TOLERANCES UNLESS OTHERWISE SPECIFIED:		DWN M. FORLSKA 20APR2002		Tyco Electronics Harrisburg, PA 17105-3608	
mm	0 PLC ±	1 PLC ±0.3	2 PLC ±0.10	3 PLC ±	4 PLC ±	5 PLC ±	6 PLC ±
MATERIAL: SEE CHART ON SHEET 2		FINISH: -		WEIGHT: SEE NOTE 5		CUSTOMER DRAWING	
NAME: 40 WAY ARM PLUG ASSEMBLY WITH SHORTING BARS CUSTOMER SPEC.		SIZE: CAGE CODE: DRAWING NO: 00779 C=7-1419157-9		RESTRICTED TO: -		SCALE: 3:1 SHEET 1 OF 3 REV: BT	

LOC	DIST	REVISIONS					
FX	00	P	LTB	DESCRIPTION	DATE	DWN	APVD
		-	-	SEE SHEET 1		-	-

ASSEMBLY PART NUMBERS										ITEM	DESCRIPTION	MATERIAL	FINISH/COLOR	
											7	CAM LEVER	PBT 30% GF	GRAY
											7	CAM LEVER WITH MODIFIED TAB	PBT 30% GF	GRAY
											6	PERIMETER SEAL	SILICONE	GREEN
											5	GROMMET	SILICONE	BROWN
										6	6	SHORTING BAR	S.S.	SEE COMPONET DRAWING
											3	COVER	PA66 35% GF	BLACK
											2	TPA FOR SHORTING BAR APPLICATIONS	sPS 30% GF	RED
											1	PLUG WITH KEYING OPTION "H" AND 6 SHORTING BAR POSITIONS CONFIGURATION	PA66 35% GF	BLACK
											1	PLUG WITH KEYING OPTION "G" AND 6 SHORTING BAR POSITIONS CONFIGURATION	PA66 35% GF	BLACK
QUANTITY										ITEM	DESCRIPTION	MATERIAL	FINISH/COLOR	

ASSEMBLY PART NUMBERS										ITEM	DESCRIPTION	MATERIAL	FINISH/COLOR	
											7	CAM LEVER	PBT 30% GF	GRAY
											7	CAM LEVER WITH MODIFIED TAB	PBT 30% GF	GRAY
											6	PERIMETER SEAL	SILICONE	GREEN
											5	GROMMET	SILICONE	BROWN
										6	6	SHORTING BAR	S.S.	SEE COMPONET DRAWING
											3	COVER	PA66 35% GF	BLACK
											2	TPA FOR SHORTING BAR APPLICATIONS	sPS 30% GF	RED
											1	PLUG WITH KEYING OPTION "H" AND 6 SHORTING BAR POSITIONS CONFIGURATION	PA66 35% GF	BLACK
											1	PLUG WITH KEYING OPTION "G" AND 6 SHORTING BAR POSITIONS CONFIGURATION	PA66 35% GF	BLACK
QUANTITY										ITEM	DESCRIPTION	MATERIAL	FINISH/COLOR	

ASSEMBLY PART NUMBERS										ITEM	DESCRIPTION	MATERIAL	FINISH/COLOR	
											7	CAM LEVER	PBT 30% GF	GRAY
											7	CAM LEVER WITH MODIFIED TAB	PBT 30% GF	GRAY
											6	PERIMETER SEAL	SILICONE	GREEN
											5	GROMMET	SILICONE	BROWN
										6	6	SHORTING BAR	S.S.	SEE COMPONET DRAWING
											3	COVER	PA66 35% GF	BLACK
											2	TPA FOR SHORTING BAR APPLICATIONS	sPS 30% GF	RED
											1	PLUG WITH KEYING OPTION "H" AND 6 SHORTING BAR POSITIONS CONFIGURATION	PA66 35% GF	BLACK
											1	PLUG WITH KEYING OPTION "G" AND 6 SHORTING BAR POSITIONS CONFIGURATION	PA66 35% GF	BLACK
QUANTITY										ITEM	DESCRIPTION	MATERIAL	FINISH/COLOR	

DIMENSIONS: mm 		TOLERANCES UNLESS OTHERWISE SPECIFIED: 9 PLC ±.3 1 PLC ±.3 2 PLC ±.10 3 PLC ±.10 4 PLC ±.10 5 PLC ±.10 6 PLC ±.10 7 PLC ±.10 8 PLC ±.10 9 PLC ±.10 ANGLES ±.3° FINISH -		DWN 20APR2002 CHK M. FORLSKA M. FORLSKA APVD A. VALASEK PRODUCT SPEC APPLICATION SPEC WEIGHT CUSTOMER DRAWING		Tyco Electronics Harrisburg, PA 17105-3608 NAME 40 WAY ARM PLUG ASSEMBLY WITH SHORTING BARS CUSTOMER SPEC. SIZE CAGE CODE DRAWING NO A11 00779 C-7-1419157-9 RESTRICTED TO SCALE 3:1 SHEET 2 OF 3 REV BT	
--	--	---	--	--	--	---	--

LOC: FX DIST: 00 REVISIONS: SEE SHEET 1

CHART 2

Main table for CHART 2 containing terminal hole positions, assembly part numbers, and keying options. Includes rows for various part numbers like 1456897-9 through 5-1438090-6.

CHART 1

Main table for CHART 1 containing terminal hole positions, assembly part numbers, and keying options. Includes rows for various part numbers like 5-1438090-5 through 7-1419157-9.

TERMINAL HOLE POSITION
CAVITIES WITH A NUMERIC SYMBOL INDICATE CLOSED TERMINAL HOLE POSITIONS
BLANK CAVITIES INDICATE OPEN TERMINAL HOLE POSITIONS

Technical drawing details including dimensions, tolerances, materials, and customer drawing information. Includes Tyco Electronics logo and contact information.



Компания «ЭлектроПласт» предлагает заключение долгосрочных отношений при поставках импортных электронных компонентов на взаимовыгодных условиях!

Наши преимущества:

- Оперативные поставки широкого спектра электронных компонентов отечественного и импортного производства напрямую от производителей и с крупнейших мировых складов;
- Поставка более 17-ти миллионов наименований электронных компонентов;
- Поставка сложных, дефицитных, либо снятых с производства позиций;
- Оперативные сроки поставки под заказ (от 5 рабочих дней);
- Экспресс доставка в любую точку России;
- Техническая поддержка проекта, помощь в подборе аналогов, поставка прототипов;
- Система менеджмента качества сертифицирована по Международному стандарту ISO 9001;
- Лицензия ФСБ на осуществление работ с использованием сведений, составляющих государственную тайну;
- Поставка специализированных компонентов (Xilinx, Altera, Analog Devices, Intersil, Interpoint, Microsemi, Aeroflex, Peregrine, Syfer, Eurofarad, Texas Instrument, Miteq, Cobham, E2V, MA-COM, Hittite, Mini-Circuits, General Dynamics и др.);

Помимо этого, одним из направлений компании «ЭлектроПласт» является направление «Источники питания». Мы предлагаем Вам помощь Конструкторского отдела:

- Подбор оптимального решения, техническое обоснование при выборе компонента;
- Подбор аналогов;
- Консультации по применению компонента;
- Поставка образцов и прототипов;
- Техническая поддержка проекта;
- Защита от снятия компонента с производства.



#### Как с нами связаться

**Телефон:** 8 (812) 309 58 32 (многоканальный)

**Факс:** 8 (812) 320-02-42

**Электронная почта:** [org@eplast1.ru](mailto:org@eplast1.ru)

**Адрес:** 198099, г. Санкт-Петербург, ул. Калинина, дом 2, корпус 4, литера А.