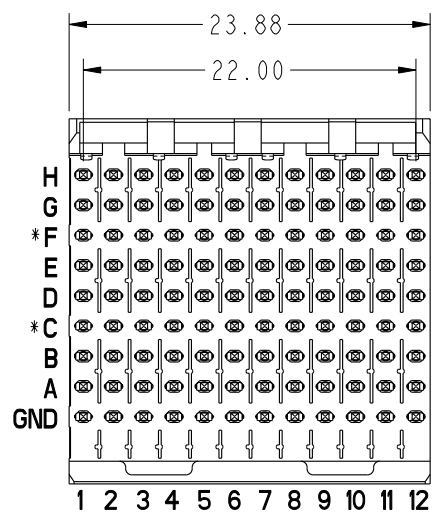
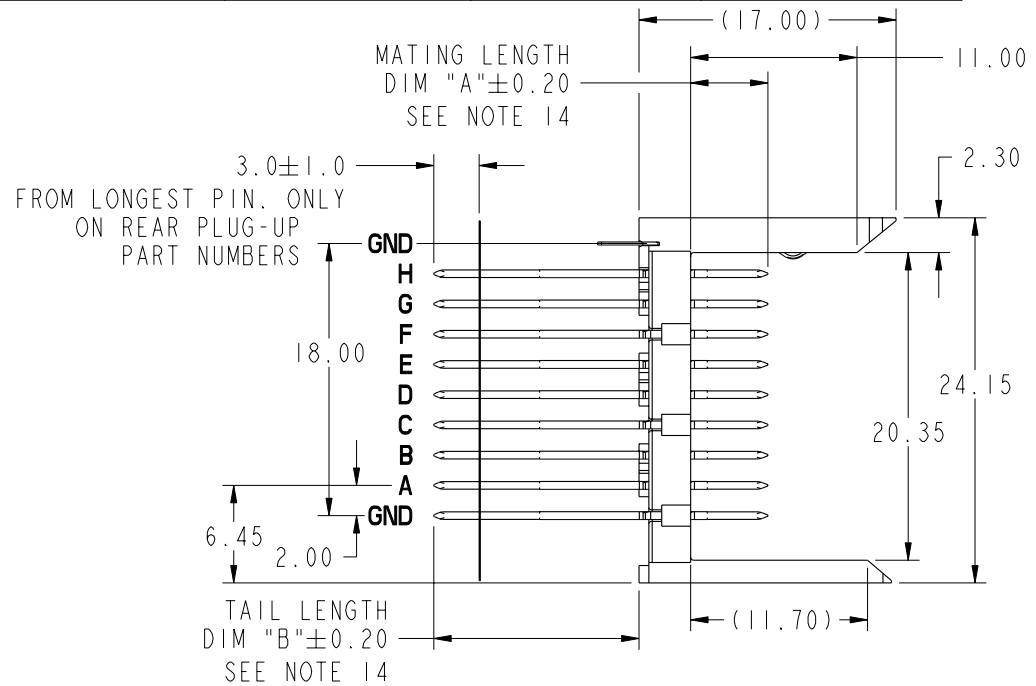
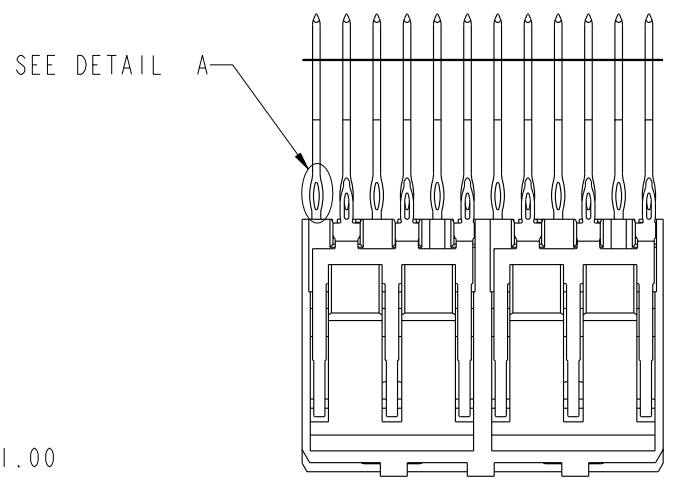


This document is the property of and embodies
 CONFIDENTIAL and PROPRIETARY information of FCI.
 No part of the information shown on this
 document may be used in any way or disclosed
 to others without the written consent of FCI.
 Copyright FCI.



PRODUCT NUMBER	PLATING PERFORMANCE LEVEL	PRESS FIT PIN TO PCB	FOR REAR PLUG-UP APPLICATIONS USE SHROUD
74983-102ZZZ	TELCORDIA CO	STANDARD	74993-102
74983-102ZZZLF		LEAD FREE	74993-102
74983-302ZZZ	CUSTOMER SPECIAL	STANDARD	74993-302
74983-302ZZZLF		LEAD FREE	74993-302LF
74983-502ZZZ	TELCORDIA UE	STANDARD	74993-502
74983-502ZZZLF		LEAD FREE	74993-502LF
74983-A02ZZZ	CUSTOMER SPECIAL	STANDARD	74993-102
74983-A02ZZZLF		LEAD FREE	74993-102LF



DETAIL A
 SCALE 4:1
 SEE NOTE 16

mat'l code SEE NOTE 5				tolerances unless otherwise specified			CUSTOMER		FCI www.fciconnect.com	
ltr	ecm no.	dr	date	linear	0.X ± 0.3	COPY		title		
W	V06-0544	DCH	2006-06-12		0.XX ± 0.13	projection		VERTICAL SIGNAL HDR 8 ROW		
X	V07-0175	DCH	2007-04-16		.XXX ± .051	MM		P.F. 96 POS. SPECIAL LOAD EXT.		
Y	V08-0024	HTB	2008-01-16	angles	0° ± 2°	scale		product family METRAL 1000 code		
AA	V08-0130	LP	2008-03-25	dr	E. KROPER. 2001-01-15	1:1		size		
-	-	-	-	engr	J. VOLSTORF 2001-01-15			dwg no		
U	V05-0192	DAI	2005-04-15	chr	J. VOLSTORF 2001-01-15			74983		
V	V05-0735	TAB	2005-08-05	appd	J. VOLSTORF 2001-01-15			213		
sheet index		revision sheet	AA 1	AA 2	AA 3	AA 4	AA 5	AA 6	AA 7	sheet 1 of 7

PIN NO.	DIM A MATING LENGTH	DIM B TAIL LENGTH	PCB THICKNESS RANGE ACCOMMODATED BY PIN'S TAIL LENGTH				
			WHEN MATING TO A 84854 SERIES METRAL 1000 RECEPTACLES		WHEN MATING TO A 52066 SERIES METRAL 4000 RECEPTACLE		
			ROWS A,B,C, D,E,F,G & H	GROUND ROW	ROWS:A,B,D,E,G & H	ROW C & F	GROUND ROW
01*	5.00	4.30	1.60 MIN	1.60 MIN	1.60 MIN	1.60 MIN	1.60 MIN
22		12.20	2.95 - 3.80	2.95 - 4.20	2.95 - 3.80	2.95 - 3.80	2.95 - 4.20
30		12.95	2.95 - 4.55	3.25 - 4.95	2.95 - 4.55	2.95 - 4.55	3.25 - 4.95
05		13.70	2.95 - 5.30	4.00 - 5.70	3.30 - 5.30	2.95 - 5.30	4.00 - 5.70
35		14.45	3.05 - 6.05	4.75 - 6.45	4.05 - 6.05	3.05 - 6.05	4.75 - 6.45
48		15.20	3.80 - 6.80	5.50 - 7.20	4.80 - 6.80	3.80 - 6.80	5.50 - 7.20
40		15.70	4.30 - 7.30	6.00 - 7.70	5.30 - 7.30	4.30 - 7.30	6.00 - 7.70
65		16.40	5.00 - 8.00	6.70 - 8.40	6.00 - 8.00	5.00 - 8.00	6.70 - 8.40
09		17.10	5.70 - 8.70	7.40 - 9.10	6.70 - 8.70	5.70 - 8.70	7.40 - 9.10
02*	5.75	4.30	1.60 MIN	1.60 MIN	1.60 MIN	1.60 MIN	1.60 MIN
44		12.20	2.95 - 3.80	2.95 - 4.20	2.95 - 3.80	2.95 - 3.80	2.95 - 4.20
31		12.95	2.95 - 4.55	3.25 - 4.95	2.95 - 4.55	2.95 - 4.55	3.25 - 4.95
06		13.70	2.95 - 5.30	4.00 - 5.70	3.30 - 5.30	2.95 - 5.30	4.00 - 5.70
36		14.45	3.05 - 6.05	4.75 - 6.45	4.05 - 6.05	3.05 - 6.05	4.75 - 6.45
49		15.20	3.80 - 6.80	5.50 - 7.20	4.80 - 6.80	3.80 - 6.80	5.50 - 7.20
25		15.70	4.30 - 7.30	6.00 - 7.70	5.30 - 7.30	4.30 - 7.30	6.00 - 7.70
66		16.40	5.00 - 8.00	6.70 - 8.40	6.00 - 8.00	5.00 - 8.00	6.70 - 8.40
10		17.10	5.70 - 8.70	7.40 - 9.10	6.70 - 8.70	5.70 - 8.70	7.40 - 9.10
03*	6.50	4.30	1.60 MIN	1.60 MIN	1.60 MIN	1.60 MIN	1.60 MIN
45		12.20	2.95 - 3.80	2.95 - 4.20	2.95 - 3.80	2.95 - 3.80	2.95 - 4.20
32		12.95	2.95 - 4.55	3.25 - 4.95	2.95 - 4.55	2.95 - 4.55	3.25 - 4.95
07		13.70	2.95 - 5.30	4.00 - 5.70	3.30 - 5.30	2.95 - 5.30	4.00 - 5.70
37		14.45	3.05 - 6.05	4.75 - 6.45	4.05 - 6.05	3.05 - 6.05	4.75 - 6.45
50		15.20	3.80 - 6.80	5.50 - 7.20	4.80 - 6.80	3.80 - 6.80	5.50 - 7.20
41		15.70	4.30 - 7.30	6.00 - 7.70	5.30 - 7.30	4.30 - 7.30	6.00 - 7.70
24		16.40	5.00 - 8.00	6.70 - 8.40	6.00 - 8.00	5.00 - 8.00	6.70 - 8.40
11		17.10	5.70 - 8.70	7.40 - 9.10	6.70 - 8.70	5.70 - 8.70	7.40 - 9.10



This document is the property of and embodies CONFIDENTIAL and PROPRIETARY information of FCI. No part of the information shown on this document may be used in any way or disclosed to others without the written consent of FCI. Copyright FCI.

mat'l code SEE NOTE 5				tolerances unless otherwise specified		CUSTOMER		FCI www.fciconnect.com	
ltr	ecr no.	dr	date	linear	0.X ±0.3		COPY		title VERTICAL SIGNAL HDR 8 ROW P.F. 96 POS. SPECIAL LOAD EXT.
AA					0.XX ±0.13		projection		
					.XXX ±.051				
				angles	0° ±2°				product family METRAL 1000 code 213 size dwg no 74983 sheet 2
				dr	E. KROPER.	2001-01-15	MM		
				engr	J. VOLSTORF	2001-01-15	← MM →		
				chr	J. VOLSTORF	2001-01-15	scale 1:1		
				appd	J. VOLSTORF	2001-01-15	A		
sheet index	revision sheet								

PIN NO.	DIM A MATING LENGTH	DIM B TAIL LENGTH	PCB THICKNESS RANGE ACCOMMODATED BY PIN LENGTH				
			WHEN MATING TO A 84854 SERIES METRAL 1000 RECEPTACLE		WHEN MATING TO A 52066 SERIES METRAL 4000 RECEPTACLE		
			ROWS A,B,C,D, E, F, G, & H	GROUND ROW	ROWS:A,B,D, E,G & H	ROW C & F	GROUND ROW
04*	7.25	4.30	1.60 MIN	1.60 MIN	1.60 MIN	1.60 MIN	1.60 MIN
46		12.20	2.95 - 3.80	2.95 - 4.20	2.95 - 3.80	2.95 - 3.80	2.95 - 4.20
33		12.95	2.95 - 4.55	3.25 - 4.95	2.95 - 4.55	2.95 - 4.55	3.25 - 4.95
08		13.70	2.95 - 5.30	4.00 - 5.70	3.30 - 5.30	2.95 - 5.30	4.00 - 5.70
38		14.45	3.05 - 6.05	4.75 - 6.45	4.05 - 6.05	3.05 - 6.05	4.75 - 6.45
51		15.20	3.80 - 6.80	5.50 - 7.20	4.80 - 6.80	3.80 - 6.80	5.50 - 7.20
42		15.70	4.30 - 7.30	6.00 - 7.70	5.30 - 7.30	4.30 - 7.30	6.00 - 7.70
67		16.40	5.00 - 8.00	6.70 - 8.40	6.00 - 8.00	5.00 - 8.00	6.70 - 8.40
12		17.10	5.70 - 8.70	7.40 - 9.10	6.70 - 8.70	5.70 - 8.70	7.40 - 9.10
19*		8.00	4.30	1.60 MIN	1.60 MIN	1.60 MIN	1.60 MIN
47	12.20		2.95 - 3.80	2.95 - 4.20	2.95 - 3.80	2.95 - 3.80	2.95 - 4.20
34	12.95		2.95 - 4.55	3.25 - 4.95	2.95 - 4.55	2.95 - 4.55	3.25 - 4.95
20	13.70		2.95 - 5.30	4.00 - 5.70	3.30 - 5.30	2.95 - 5.30	4.00 - 5.70
39	14.45		3.05 - 6.05	4.75 - 6.45	4.05 - 6.05	3.05 - 6.05	4.75 - 6.45
52	15.20		3.80 - 6.80	5.50 - 7.20	4.80 - 6.80	3.80 - 6.80	5.50 - 7.20
43	15.70		4.30 - 7.30	6.00 - 7.70	5.30 - 7.30	4.30 - 7.30	6.00 - 7.70
68	16.40		5.00 - 8.00	6.70 - 8.40	6.00 - 8.00	5.00 - 8.00	6.70 - 8.40
21	17.10		5.70 - 8.70	7.40 - 9.10	6.70 - 8.70	5.70 - 8.70	7.40 - 9.10

A

A



This document is the property of and embodies CONFIDENTIAL and PROPRIETARY information of FCI. No part of the information shown on this document may be used in any way or disclosed to others without the written consent of FCI. Copyright FCI.

B

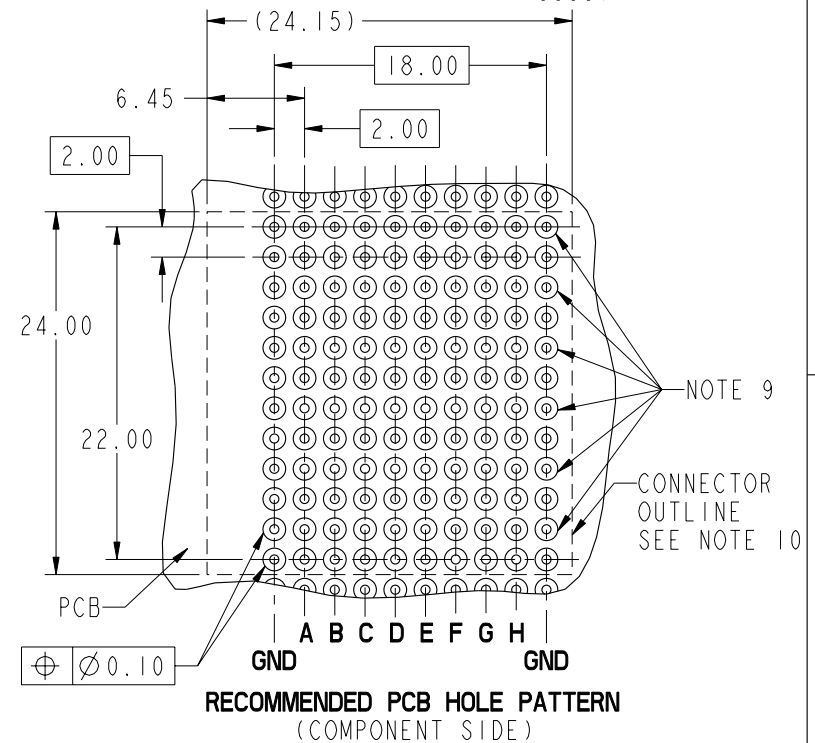
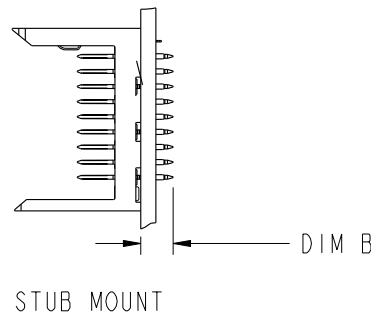
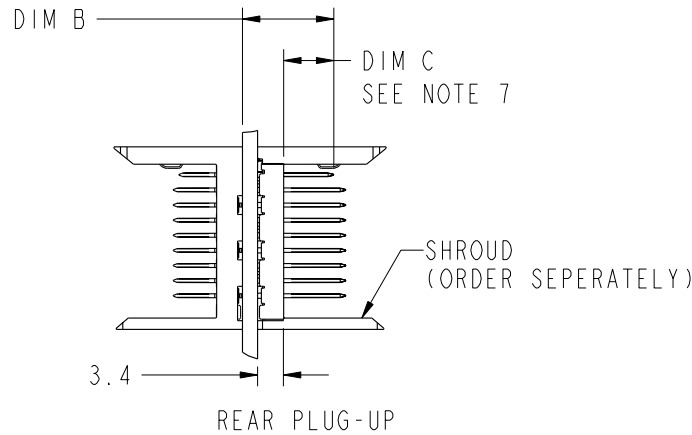
B

mat'l code		SEE NOTE 5		tolerances unless otherwise specified		CUSTOMER		www.fciconnect.com	
ltr	ecn no.	dr	date	linear	0.X ±0.3		COPY		title VERTICAL SIGNAL HDR 8 ROW P.F. 96 POS. SPECIAL LOAD EXT.
AA					0.XX ±0.13		projection		
					.XXX ±.051				
				angles	0° ±2°				product family METRAL 1000 code 213 size dwg no 74983 sheet 3
				dr	E. KROPER.	2001-01-15	MM		
				engr	J. VOLSTORF	2001-01-15			
				chr	J. VOLSTORF	2001-01-15	scale 1:1		
				appd	J. VOLSTORF	2001-01-15	A		
sheet index	revision sheet								

PRODUCT NUMBER
SEE SHEET 1

PRESS-FIT HOLES	OPTION 1
HOLE DIAMETER AFTER PLATING	Ø 0.65-0.80
PRESS-FIT HOLES	Ø 0.81-0.86 (Ø 0.85 DRILL)
COPPER PLATING	0.025 MIN
SnPb PLATING	0.005-0.015

FOR OTHER OPTIONS SEE DRAWING
58351



mat'l code SEE NOTE 5				tolerances unless otherwise specified		CUSTOMER		FCj www.fciconnect.com	
ltr	ecm no.	dr	date	linear	0.X ± 0.3	COPY		title	
AA				angles	0.XX ± 0.13	projection		VERTICAL SIGNAL HDR 8 ROW	
					.XXX ± 0.051	MM		P.F. 96 POS. SPECIAL LOAD EXT.	
				dr	0° ± 2°	scale		product family	
				enqr	E. KROPER. 2001-01-15	1:1		METRAL 1000	
				chr	J. VOLSTORF 2001-01-15			code	
				appd	J. VOLSTORF 2001-01-15			213	
sheet index		revision sheet				size		sheet	
						A		4	

This document is the property of and embodies
 CONFIDENTIAL and PROPRIETARY information of FCJ.
 No part of the information shown on this
 document may be used in any way or disclosed
 to others without the written consent of FCJ.
 Copyright FCJ.

SPECIAL LOAD PATTERNS

PRODUCT #	ROW	PIN CODES
74983-X02001	H	01
	G	
	F	
	E	
	D	
	C	
	B	
	A	
GND		
74983-X02004 *RPU	H	05
	G	
	F	
	E	
	D	
	C	
	B	
	A	
GND		
74983-X02004LF *RPU SEE NOTE 15	H	05
	G	
	F	
	E	
	D	
	C	
	B	
	A	
GND		
74983-X02011	H	02
	G	
	F	
	E	
	D	
	C	
	B	
	A	
GND	01	
74983-X02013 *RPU	H	06
	G	
	F	
	E	
	D	
	C	
	B	
	A	
GND	30	
74983-X02050	H	02
	G	02
	F	04
	E	03
	D	03
	C	04
	B	03
	A	03
GND	02	
74983-X02050LF SEE NOTE 15	H	02
	G	02
	F	04
	E	03
	D	03
	C	04
	B	03
	A	03
GND	02	

PCB THICKNESS
RANGE FOR REAR
PLUG UP
APPLICATIONS:
4.00 - 5.30

PCB THICKNESS
RANGE FOR REAR
PLUG UP
APPLICATIONS:
3.25 - 5.30

SPECIAL LOAD PATTERNS

PRODUCT #	ROW	PIN CODES
74983-X02051	H	03
	G	
	F	
	E	
	D	
	C	
	B	
	A	
GND	02	
74983-X02052	H	02
	G	02
	F	04
	E	02
	D	02
	C	04
	B	02
	A	02
GND		
74983-X02053 *RPU	H	06
	G	06
	F	08
	E	06
	D	06
	C	08
	B	06
	A	06
GND		
74983-X02053LF *RPU SEE NOTE 15	H	06
	G	06
	F	08
	E	06
	D	06
	C	08
	B	06
	A	06
GND		
74983-X02054	H	02
	G	
	F	
	E	
	D	
	C	
	B	
	A	
GND		
74983-X02054LF SEE NOTE 15	H	02
	G	
	F	
	E	
	D	
	C	
	B	
	A	
GND		

PCB THICKNESS
RANGE FOR REAR
PLUG UP
APPLICATIONS:
4.00 - 5.30



This document is the property of and embodies
CONFIDENTIAL and PROPRIETARY information of FCI.
No part of the information shown on this
document may be used in any way or disclosed
to others without the written consent of FCI.
Copyright FCI.

mat'l code SEE NOTE 5				tolerances unless otherwise specified		CUSTOMER	FCI www.fciconnect.com
ltr	ecr no.	dr	date	linear	0.X ±0.3	COPY	title VERTICAL SIGNAL HDR 8 ROW P.F. 96 POS. SPECIAL LOAD EXT.
AA				linear	0.XX ±0.13	projection	
				angles	.XXX ±.051		
					0° ±2°	MM	product family METRAL 1000 code size dwg no 213 sheet 5
				dr	E. KROPER. 2001-01-15	A	
				enqr	J. VOLSTORF 2001-01-15		
				chr	J. VOLSTORF 2001-01-15	1:1	
				appd	J. VOLSTORF 2001-01-15		
sheet index	revision sheet						cage code 22526

* REAR PLUG-UP PART NUMBERS

SPECIAL LOAD PATTERNS		
PRODUCT #	ROW	PIN CODES
74983-X02056 *RPU	H	22
	G	
	F	
	E	
	D	
	C	
	B	
	A	
74983-X02056LF *RPU SEE NOTE 15	GND	22
	H	
	G	
	F	
	E	
	D	
	C	
	B	
74983-X02057	A	02
	GND	
	H	
	G	
	F	
	E	
	D	
	C	
74983-X02057LF SEE NOTE 15	B	02
	A	
	GND	
	H	
	G	
	F	
	E	
	D	
74983-X02058 *RPU	C	06
	B	
	A	
	GND	
	H	
	G	
	F	
	E	
74983-X02058LF *RPU SEE NOTE 15	D	06
	C	
	B	
	A	
	GND	
	H	
	G	
	F	
74983-X02059 **	E	03
	F	19
	D	04
	C	19
	B	04
	A	04
	GND	02
	H	03
74983-X02059LF ** SEE NOTE 15	G	03
	F	11
	E	41
	D	41
	C	24
	B	41
	A	24
	GND	49

PCB THICKNESS
RANGE FOR REAR
PLUG UP
APPLICATIONS:
2.95 - 3.80

PCB THICKNESS
RANGE FOR REAR
PLUG UP
APPLICATIONS:
4.00 - 5.30

PCB THK
RANGE FOR
REAR PLUG UP
APPLICATIONS:
*2.30 - 6.70

* REAR PLUG-UP PART NUMBERS
** CANNOT BE MATED TO A
METRAL 4000 RECEPTACLE

SPECIAL LOAD PATTERNS		
PRODUCT #	ROW	PIN CODES
74983-X02061 *RPU	H	35
	G	
	F	
	E	
	D	
	C	
	B	
	A	
74983-X02061LF *RPU SEE NOTE 15	GND	35
	H	
	G	
	F	
	E	
	D	
	C	
	B	
	A	05
	GND	
	H	
	G	
	F	
	E	
	D	
	C	

PCB THICKNESS
RANGE FOR REAR
PLUG UP
APPLICATIONS:
4.05 - 5.70



This document is the property of and embodies
 CONFIDENTIAL and PROPRIETARY information of FCI.
 No part of the information shown on this
 document may be used in any way or disclosed
 to others without the written consent of FCI.
 Copyright FCI.

mat'l code SEE NOTE 5				tolerances unless otherwise specified				CUSTOMER		www.fciconnect.com	
ltr	ecr no.	dr	date	linear	0.X ±0.3		COPY		title VERTICAL SIGNAL HDR 8 ROW P.F. 96 POS. SPECIAL LOAD EXT.		
AA					0.XX ±0.13		projection				
					.XXX ±.051						
				angles	0° ±2°				product family METRAL 1000 code		
				dr	E. KROPER.	2001-01-15	MM		size	dwg no	213
				enrg	J. VOLSTORF	2001-01-15			A	74983	sheet
				chr	J. VOLSTORF	2001-01-15	scale		1:1	6	
				appd	J. VOLSTORF	2001-01-15					
sheet index	revision sheet										

PRODUCT NUMBER

SEE SHEET 1

NOTES:

- 1. SEE APPLICATION SPECIFICATION GS-20-010 FOR INFORMATION ON AVAILABLE TOOLING, CURCUIT BOARD DESIGN CONSIDERATIONS, REPAIR PROCEDURES AND PRODUCT OFFERINGS.
- 2. SEE FCI PUBLICATION 950511-028 FOR "ELECTRICAL PERFORMANCE DATA FOR DIFFERENTIAL APPLICATIONS."
- 3. SEE FCI PUBLICATION 950511-028 FOR "ELECTRICAL PERFORMANCE DATA FOR SINGLE-ENDED APPLICATION."
- 4. UNLESS OTHERWISE SPECIFIED, ALL DIMENSIONS AND TOLERANCES ARE IN ACCORDANCE WITH ASME Y14.5M, 1994
- 5. HOUSING MATERIAL: LIQUID CRYSTAL POLYMER, 30% GLASS FILLED, FLAME RETARDANT PER UL 94-V0.
PIN MATERIAL: PHOSPHER BRONZE
GROUND SPRING MATERIAL: PHOSPHER BRONZE
- 6. PLATING INFORMATION: PLATING ON CONTACT AREA MEETS THE PERFORMANCE LEVELS SHOWN IN TABLE ON SHEET 1.
PLATING ON "LF" TAILS IS Sn. PLATING ON ALL OTHERS IS SnPb.
- 7. DIMENSIONAL RESTRICTIONS OF PINS IN HEADERS.
FOR MATING WITH METRAL 1000 RECEPTACLES
DIM A : 5.00mm MIN, 8.00mm MAX FOR ROWS A-H
DIM A : 5.00mm MIN, 5.75mm MAX FOR ROW GND NEXT TO ROW A
DIM C : 5.00mm MIN, 8.00mm MAX FOR ROWS A-H
DIM C : 4.60mm MIN, 6.30mm MAX FOR ROW GND NEXT TO ROW A
FOR MATING WITH METRAL 4000 RECEPTACLES
DIM A : 5.00mm MIN, 6.50mm MAX FOR ROWS A, B, D, E, G & H
DIM A : 5.00mm MIN, 8.00mm MAX FOR ROW C & F
DIM A : 5.00mm MIN, 5.75mm MAX FOR ROW GND NEXT TO ROW A
DIM C : 5.00mm MIN, 7.00mm MAX FOR ROWS A, B, D, E, G & H
DIM C : 5.00mm MIN, 8.00mm MAX FOR ROW C & F
DIM C : 4.60mm MIN, 6.30mm MAX FOR ROW GND NEXT TO ROW A
- 8. THE MIN PCB THICKNESS FOR REAR PLUG-UP APPLICATIONS IS 2.9mm SINCE THE COMPLIANT SECTIONS OF THE GROUND SPRING IN THE HEADER DIRECTLY OPPOSE THE GROUND SPRING OF THE SHROUD. THE MIN PCB THICKNESS FROM FRONT PLUG-UP ONLY APPLICATIONS IS 1.6mm.

- 9. THESE HOLES ARE NEEDED FOR REAR PLUG-UP DESIGNS USING A SHROUD AND MAY BE OMITTED FOR FRONT PLUG-UP ONLY DESIGNS.
- 10. THE 'CONNECTOR OUTLINE' IS THE MIN OUTLINE REQUIRED. TO DETERMINE THE OUTLINE NECESSARY TO PERMIT THE VARIOUS TYPES OF REPAIR OPERATIONS, SEE APPLICATION SPECIFICATION GS-20-010.

- 11. CURRENT RATING : 1 AMP PER PIN
- 12. TEMPERATURE RANGE : -55°C TO +105°C
- 13. P/N 73983-X02ZZZLF



- 14. AFTER INSERTION INTO CIRCUIT BOARD WITH QUALIFIED TOOL.
- 15. THE PRODUCTS WHERE THE PART NUMBER ENDS IN LF MEET EUROPEAN UNION DIRECTIVES AND OTHER COUNTRY REGULATIONS AS DESCRIBED IN GS-22-008.

ALL PRODUCTS WILL WITHSTAND EXPOSURE TO 240°C FOR 60 SECONDS IN A CONVECTION, INFRA-RED OR VAPOR PHASE REFLOW OVEN.

- 16. PIN TYPE IS AT THE MANUFACTURERS OPTION AND CAN BE EITHER BABY-H OR EYE OF THE NEEDLE STYLE



This document is the property of and embodies CONFIDENTIAL and PROPRIETARY information of FCI. No part of the information shown on this document may be used in any way or disclosed to others without the written consent of FCI. Copyright FCI.

mat'l code SEE NOTE 5				tolerances unless otherwise specified		CUSTOMER		www.fciconnect.com	
ltr	ecr no.	dr	date	linear	0.X ±0.3	COPY			title VERTICAL SIGNAL HDR 8 ROW P.F. 96 POS. SPECIAL LOAD EXT.
AA					0.XX ±0.13	projection			
					.XXX ±.051				
				angles	0° ±2°				
				dr	E. KROPER. 2001-01-15	MM		product family	METRAL 1000
				engr	J. VOLSTORF 2001-01-15			code	213
				chr	J. VOLSTORF 2001-01-15	scale		size	dwg no
				appd	J. VOLSTORF 2001-01-15	1:1		A	74983
sheet index	revision sheet								sheet
									7



Компания «ЭлектроПласт» предлагает заключение долгосрочных отношений при поставках импортных электронных компонентов на взаимовыгодных условиях!

Наши преимущества:

- Оперативные поставки широкого спектра электронных компонентов отечественного и импортного производства напрямую от производителей и с крупнейших мировых складов;
- Поставка более 17-ти миллионов наименований электронных компонентов;
- Поставка сложных, дефицитных, либо снятых с производства позиций;
- Оперативные сроки поставки под заказ (от 5 рабочих дней);
- Экспресс доставка в любую точку России;
- Техническая поддержка проекта, помощь в подборе аналогов, поставка прототипов;
- Система менеджмента качества сертифицирована по Международному стандарту ISO 9001;
- Лицензия ФСБ на осуществление работ с использованием сведений, составляющих государственную тайну;
- Поставка специализированных компонентов (Xilinx, Altera, Analog Devices, Intersil, Interpoint, Microsemi, Aeroflex, Peregrine, Syfer, Eurofarad, Texas Instrument, Miteq, Cobham, E2V, MA-COM, Hittite, Mini-Circuits, General Dynamics и др.);

Помимо этого, одним из направлений компании «ЭлектроПласт» является направление «Источники питания». Мы предлагаем Вам помощь Конструкторского отдела:

- Подбор оптимального решения, техническое обоснование при выборе компонента;
- Подбор аналогов;
- Консультации по применению компонента;
- Поставка образцов и прототипов;
- Техническая поддержка проекта;
- Защита от снятия компонента с производства.



Как с нами связаться

Телефон: 8 (812) 309 58 32 (многоканальный)

Факс: 8 (812) 320-02-42

Электронная почта: org@eplast1.ru

Адрес: 198099, г. Санкт-Петербург, ул. Калинина, дом 2, корпус 4, литера А.