



PD55003-E

RF power transistor from the LdmoST plastic family
of N-channel enhancement-mode lateral MOSFETs

Features

- Excellent thermal stability
- Common source configuration
- $P_{OUT} = 3\text{ W}$ with 17dB gain @ 500 MHz / 12.5 V

Description

The PD55003-E is a common source N-channel, enhancement-mode lateral field-effect RF power transistor. It is designed for high gain, broad band commercial and industrial applications. It operates at 12 V in common source mode at frequencies of up to 1 GHz. The PD55003 boasts excellent gain, linearity and reliability thanks to ST's latest LDMOS technology mounted in the first true SMD plastic RF power package, the PowerSO-10RF.

The PD55003's superior linearity performance makes it an ideal solution for car mobile radios.

The PowerSO-10RF plastic package is designed for high reliability, and is the first JEDEC-approved, high power SMD package from ST. It has been optimized for RF requirements and offers excellent RF performance and ease of assembly.

Mounting recommendations are provided in application note AN1294, available on www.st.com.

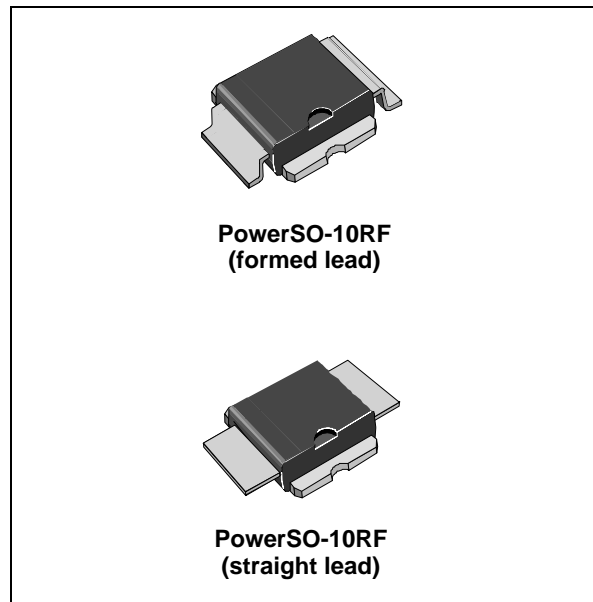


Figure 1. Pin connection

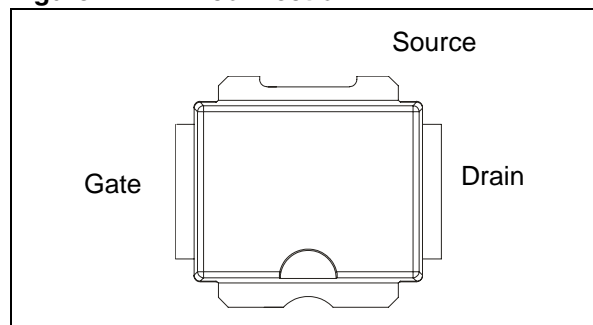


Table 1. Device summary

| Order code | Package | Packing |
|--------------|------------------------------|---------------|
| PD55003-E | PowerSO-10RF (formed lead) | Tube |
| PD55003S-E | PowerSO-10RF (straight lead) | Tube |
| PD55003TR-E | PowerSO-10RF (formed lead) | Tape and reel |
| PD55003STR-E | PowerSO-10RF (straight lead) | Tape and reel |

Contents

- 1 Electrical data 3**
 - 1.1 Maximum ratings 3
 - 1.2 Thermal data 3

- 2 Electrical characteristics 4**
 - 2.1 Static 4
 - 2.2 Dynamic 4
 - 2.3 Moisture sensitivity level 4

- 3 Impedance 5**

- 4 Typical performance 6**
 - 4.1 Performance for the PowerSO-10RF formed lead 7
 - 4.2 Performance for the PowerSO-10RF straight lead 10

- 5 Typical performance (860 MHz) 12**
 - 5.1 Performance for the PowerSO-10RF formed lead 12

- 6 Test circuit 13**

- 7 Circuit layout 15**

- 8 Common source s-parameter 16**

- 9 Package mechanical data 22**

- 10 Revision history 28**

1 Electrical data

1.1 Maximum ratings

Table 2. Absolute maximum ratings ($T_{CASE} = 25^{\circ}C$)

| Symbol | Parameter | Value | Unit |
|---------------|--|-------------|-------------|
| $V_{(BR)DSS}$ | Drain-source voltage | 40 | V |
| V_{GS} | Gate-source voltage | ± 20 | V |
| I_D | Drain current | 2.5 | A |
| P_{DISS} | Power dissipation (@ $T_C = 70^{\circ}C$) | 31.7 | W |
| T_J | Max. operating junction temperature | 165 | $^{\circ}C$ |
| T_{STG} | Storage temperature | -65 to +150 | $^{\circ}C$ |

1.2 Thermal data

Table 3. Thermal data

| Symbol | Parameter | Value | Unit |
|------------|------------------------------------|-------|---------------|
| R_{thJC} | Junction - case thermal resistance | 3.0 | $^{\circ}C/W$ |

2 Electrical characteristics

$T_{CASE} = +25\text{ }^{\circ}\text{C}$

2.1 Static

Table 4. Static

| Symbol | Test conditions | | Min | Typ | Max | Unit |
|--------------|------------------------|--------------------------|-----|-----|------|---------------|
| I_{DSS} | $V_{GS} = 0$ | $V_{DS} = 28\text{ V}$ | | | 1 | μA |
| I_{GSS} | $V_{GS} = 20\text{ V}$ | $V_{DS} = 0$ | | | 1 | μA |
| $V_{GS(Q)}$ | $V_{DS} = 10\text{ V}$ | $I_D = 50\text{ mA}$ | 2.0 | | 5.0 | V |
| $R_{DS(ON)}$ | $V_{GS} = 10\text{ V}$ | $I_D = 1\text{ A}$ | | | 0.75 | Ω |
| g_{FS} | $V_{DS} = 10\text{ V}$ | $I_D = 1\text{ A}$ | | 1.0 | | mho |
| C_{ISS} | $V_{GS} = 0$ | $V_{DS} = 12.5\text{ V}$ | | 36 | | pF |
| C_{OSS} | $V_{GS} = 0$ | $V_{DS} = 12.5\text{ V}$ | | 24 | | pF |
| C_{RSS} | $V_{GS} = 0$ | $V_{DS} = 12.5\text{ V}$ | | 2.4 | | pF |

2.2 Dynamic

Table 5. Dynamic

| Symbol | Test conditions | | Min | Typ | Max | Unit |
|---------------|---|----------------------|------|-----|-----|------|
| P_{1dB} | $V_{DD} = 12.5\text{ V}, I_{DQ} = 50\text{ mA}$ | $f = 500\text{ MHz}$ | 3 | | | W |
| G_P | $V_{DD} = 12.5\text{ V}, I_{DQ} = 50\text{ mA}, P_{OUT} = 3\text{ W}, f = 500\text{ MHz}$ | | 14 | 17 | | dB |
| h_D | $V_{DD} = 12.5\text{ V}, I_{DQ} = 50\text{ mA}, P_{OUT} = 3\text{ W}, f = 500\text{ MHz}$ | | 45 | 52 | | % |
| Load mismatch | $V_{DD} = 15.5\text{ V}, I_{DQ} = 50\text{ mA}, P_{OUT} = 3\text{ W}, f = 500\text{ MHz}$ All phase angles | | 20:1 | | | VSWR |

2.3 Moisture sensitivity level

Table 6. Moisture sensitivity level

| Test methodology | Rating |
|------------------|--------|
| J-STD-020B | MSL 3 |

3 Impedance

Figure 2. Current conventions

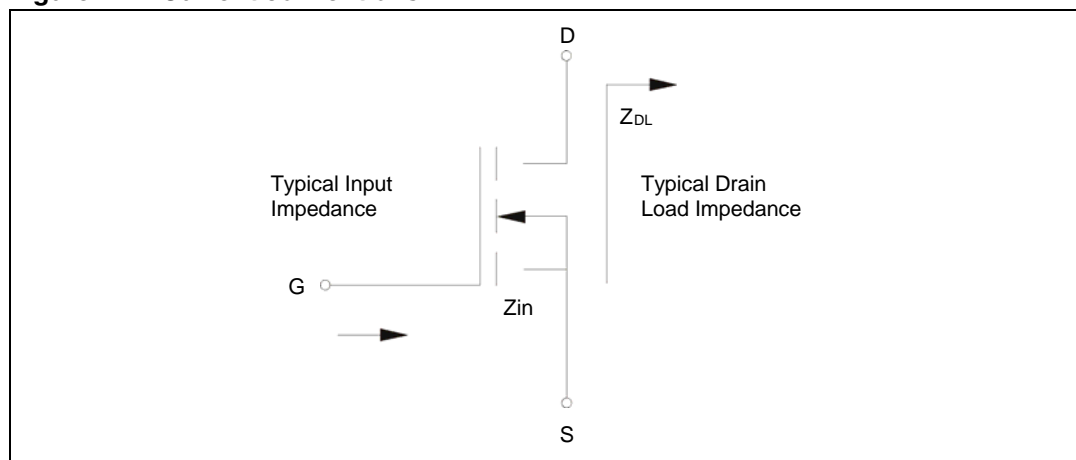


Table 7. Impedance data

| PD55003-E | | | PD55003S-E | | |
|-------------|-------------------|-------------------|-------------|-------------------|-------------------|
| Freq. (MHz) | $Z_{IN} (\Omega)$ | $Z_{DL} (\Omega)$ | Freq. (MHz) | $Z_{IN} (\Omega)$ | $Z_{DL} (\Omega)$ |
| 520 | 1.871 - j 1.118 | 4.779 + j 4.956 | 520 | 1.407 - j 3.550 | 6.557 + j 7.844 |
| 500 | 1.542 - j 3.705 | 6.842 + j 6.209 | 500 | 1.306 - j 5.159 | 8.351 + j 9.120 |
| 480 | 1.109 - j 1.783 | 6.789 + j 4.533 | 480 | 1.302 - j 6.141 | 8.994 + j 8.983 |
| 860 | 1.33 + j 1.23 | 2.93 + j 0.62 | | | |

4 Typical performance

Figure 3. Capacitance vs. drain voltage



Figure 4. Drain current vs. gate-source voltage

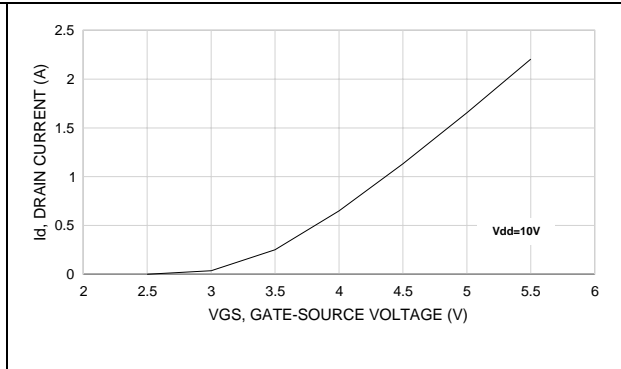


Figure 5. Gate-source voltage vs. case temperature

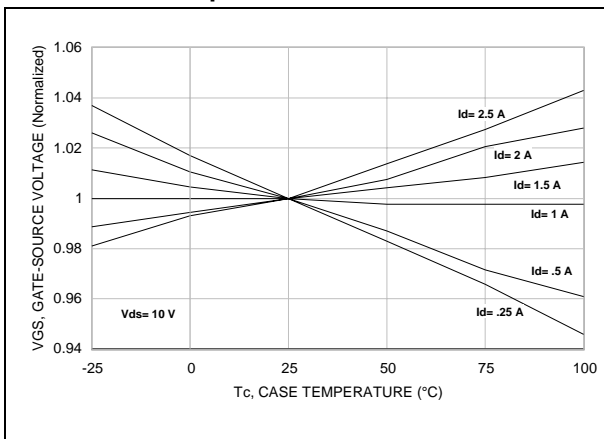
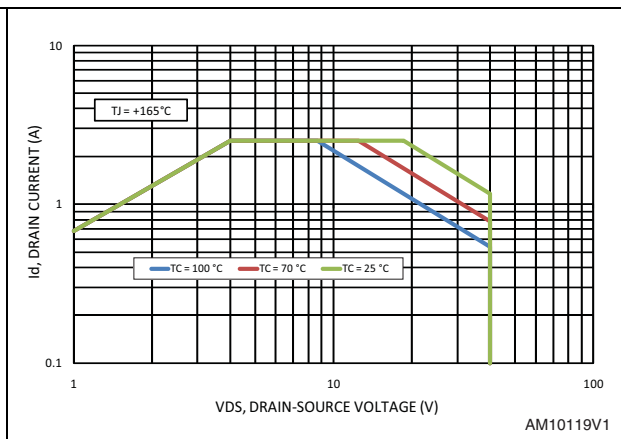


Figure 6. Maximum safe operating area



4.1 Performance for the PowerSO-10RF formed lead

Figure 7. Output power vs. input power

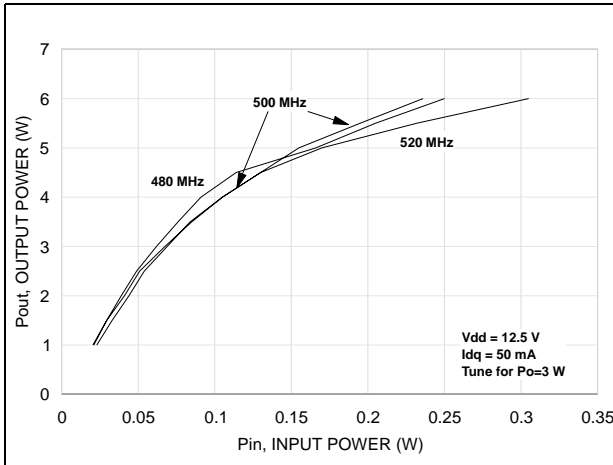


Figure 8. Output power vs. input power

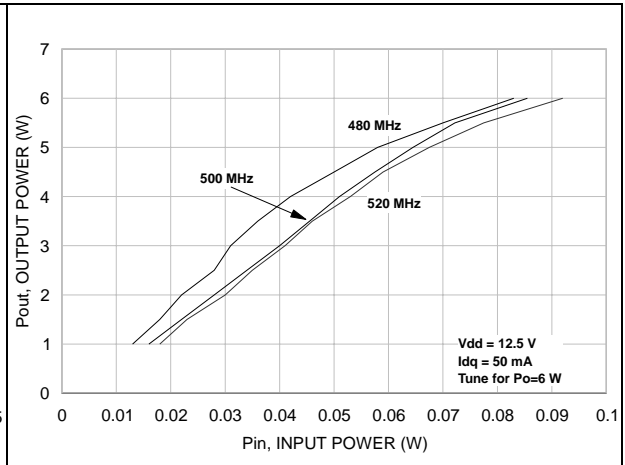


Figure 9. Drain efficiency vs. output power



Figure 10. Drain efficiency vs. output power



Figure 11. Power gain vs. output power



Figure 12. Return loss vs. output power

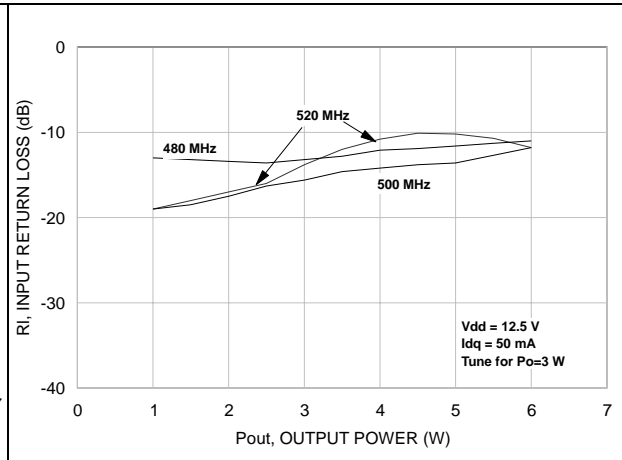


Figure 13. Output power vs. bias current



Figure 14. Drain efficiency vs. bias current

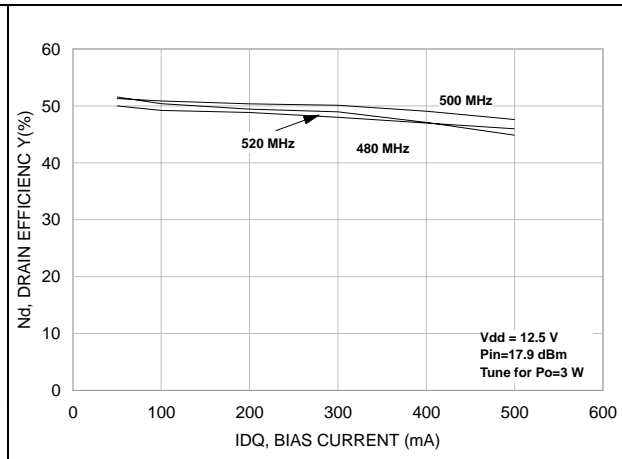


Figure 15. Output power vs. supply voltage



Table 8. Drain efficiency vs. supply voltage

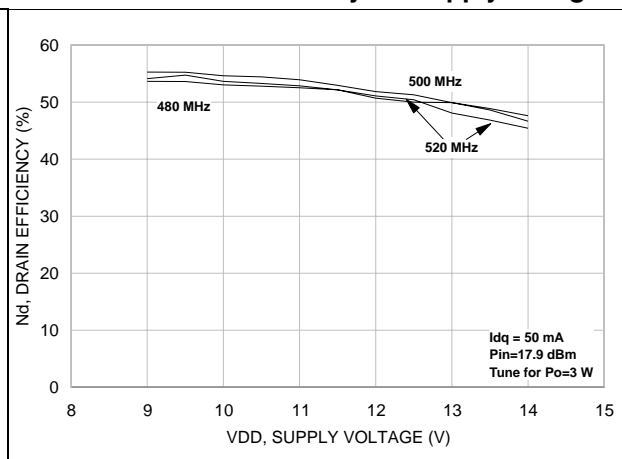


Figure 16. Output power vs. gate voltage



4.2 Performance for the PowerSO-10RF straight lead

Figure 17. Output power vs. input power

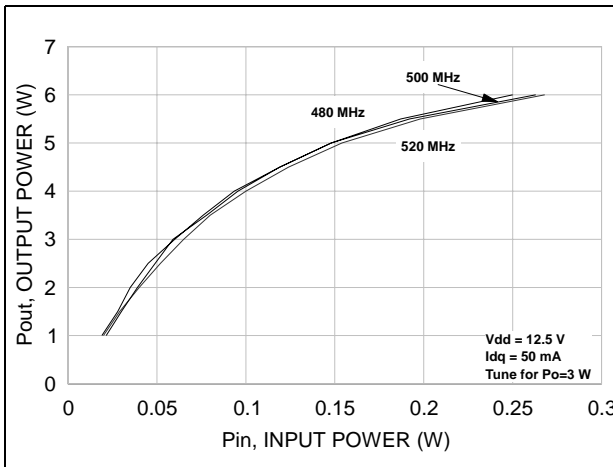


Figure 18. Output power vs. input power

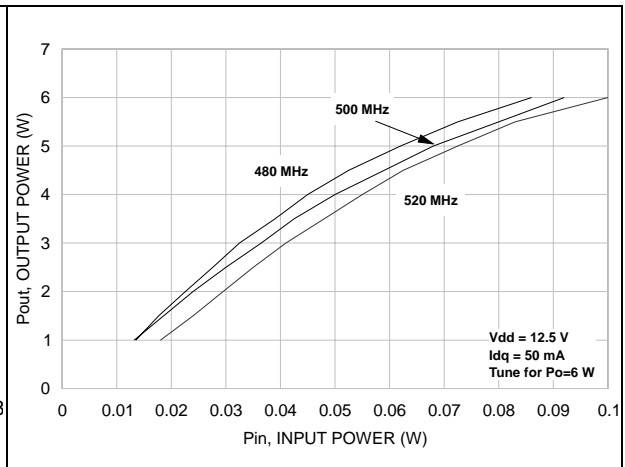


Figure 19. Drain efficiency vs. output power

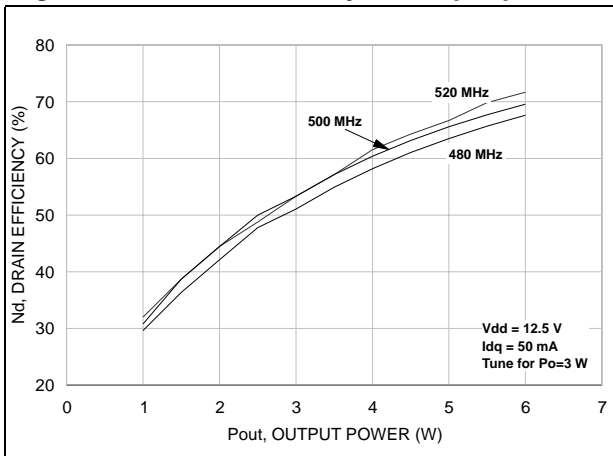


Figure 20. Drain efficiency vs. output power



Figure 21. Power gain vs. output power

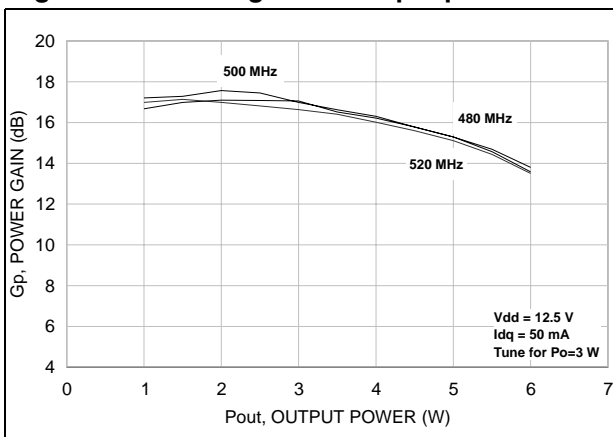


Figure 22. Return loss vs. output power

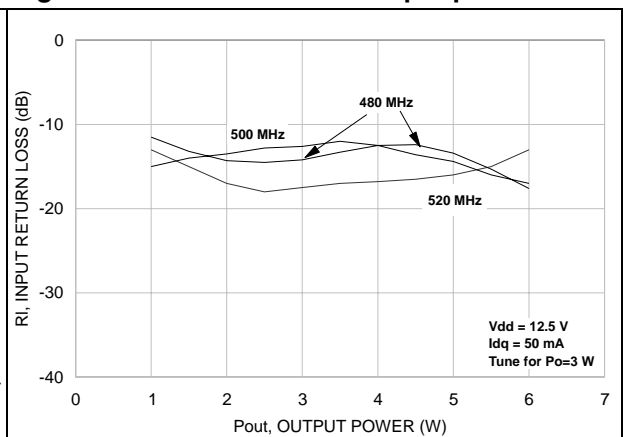


Figure 23. Output power vs. bias current



Figure 24. Drain efficiency vs. bias current

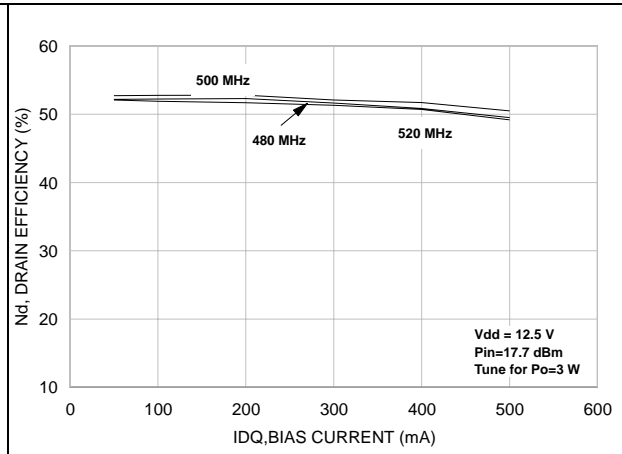


Figure 25. Output power vs. supply voltage



Figure 26. Drain efficiency vs. supply voltage

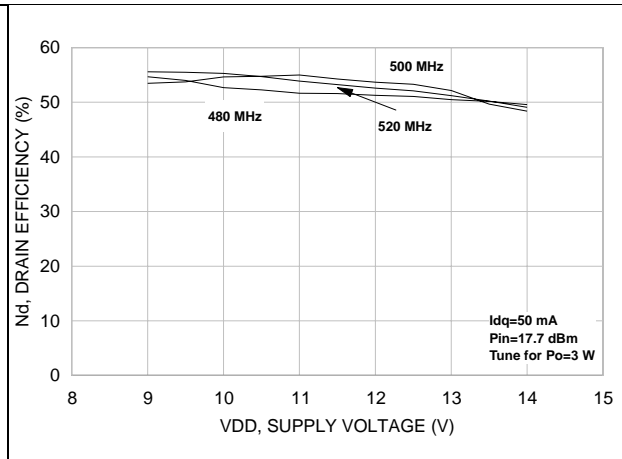
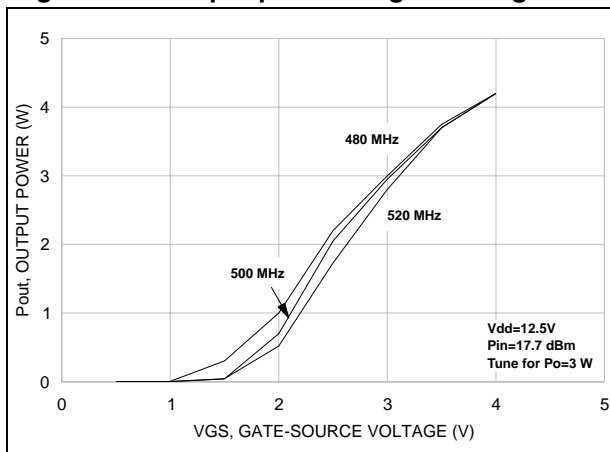


Figure 27. Output power vs. gate voltage



5 Typical performance (860 MHz)

5.1 Performance for the PowerSO-10RF formed lead

Figure 28. Output power vs. input power

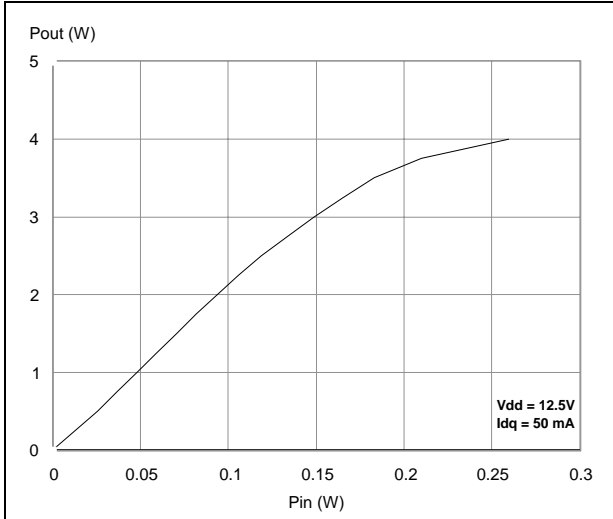


Figure 29. Drain efficiency vs. output power

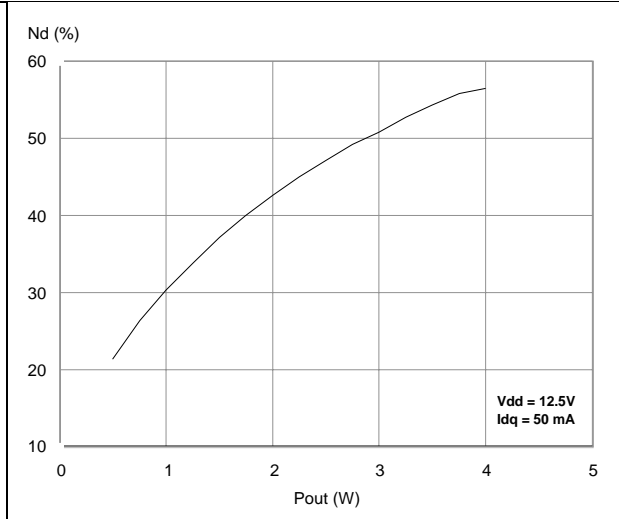
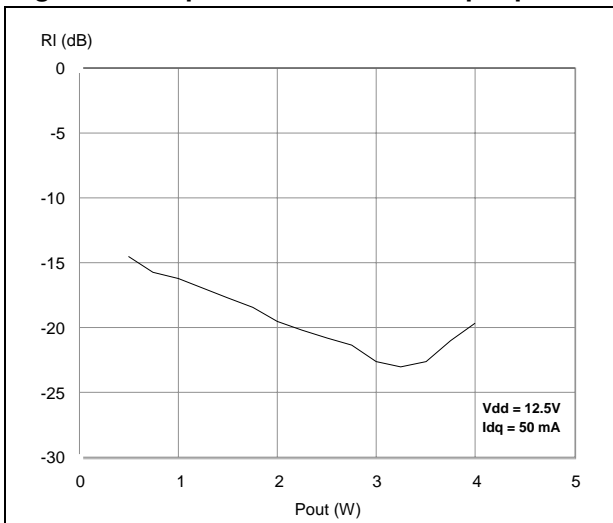


Figure 30. Input return loss vs. output power



6 Test circuit

Figure 31. Test circuit schematic

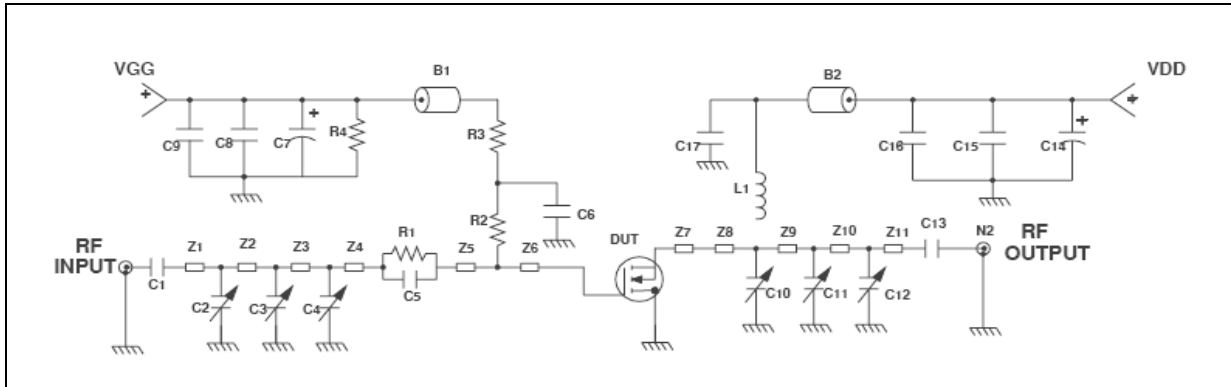


Table 9. Test circuit component list

| Component | Description |
|----------------------|--|
| B1,B2 | Short ferrite bead, Fair-Rite Products Corp (2743021446) |
| C1,C14 | 240 pF, 100 mil chip capacitor |
| C2,C3,C4,C10,C11,C12 | 0 TO 20 pF trimmer capacitor |
| C5 | 130 pF, 100 mil chip cap |
| C6,C17 | 120 pF, 100 mil chip cap |
| C7,C14 | 10 μ F, 50 V electrolytic capacitor |
| C8,C15 | 1.200 pF, 100 mil chip cap |
| C9,C16 | 0.1 F, 100 mil chip cap |
| L1 | 55.5 nH, 5 turn, Coilcraft |
| N1,N2 | Type N flange mount |
| R1 | 15 Ω , 0805 chip resistor |
| R2 | 1.0 k Ω , 1/8 W resistor |
| R3 | 15 Ω , 0805 chip resistor |
| R4 | 33 k Ω , 1/8 W resistor |
| Z1 | 0.175" X 0.080" microstrip |
| Z2 | 1.049" X 0.080" microstrip |
| Z3 | 0.289" X 0.080" microstrip |
| Z4 | 0.026" X 0.080" microstrip |
| Z5 | 0.192" X 0.223" microstrip |
| Z6,Z7 | 0.260" X 0.223" microstrip |
| Z8 | 0.064" X 0.080" microstrip |
| Z9 | 0.334" X 0.080" microstrip |

Table 9. Test circuit component list (continued)

| Component | Description |
|-----------|---|
| Z10 | 0.985" X 0.080" microstrip |
| Z11 | 0.472" X 0.080" microstrip |
| Board | Roger ultra LAM 2000 THK 0.030" $\epsilon_r = 2.55$ 2oz ED C μ both sides |

7 Circuit layout

Figure 32. Test fixture component layout

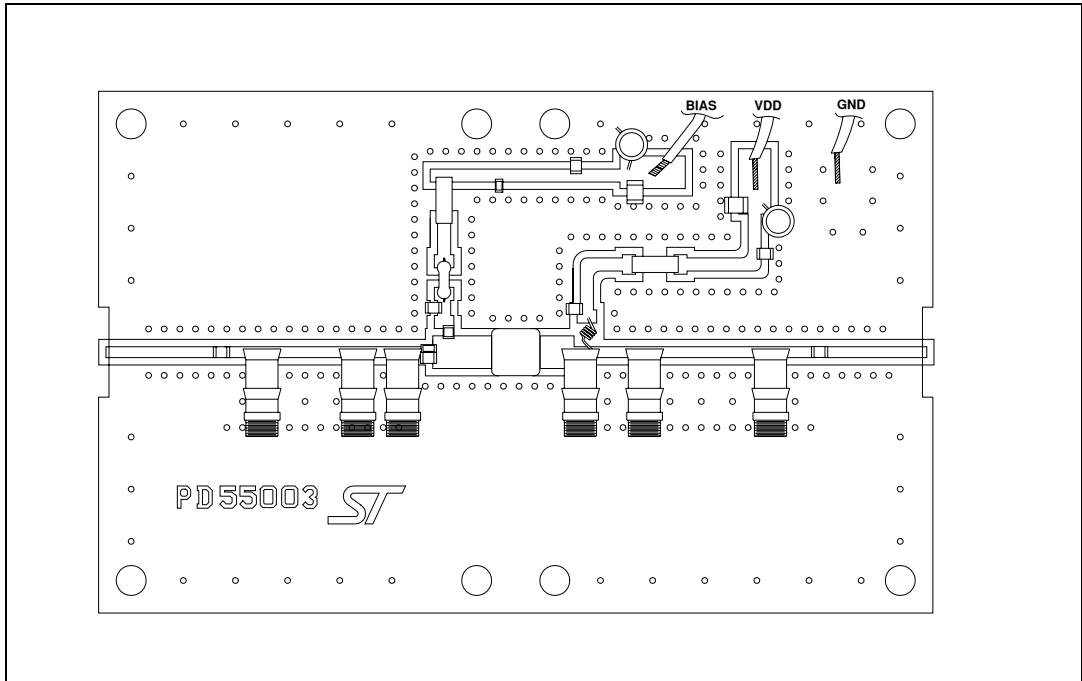
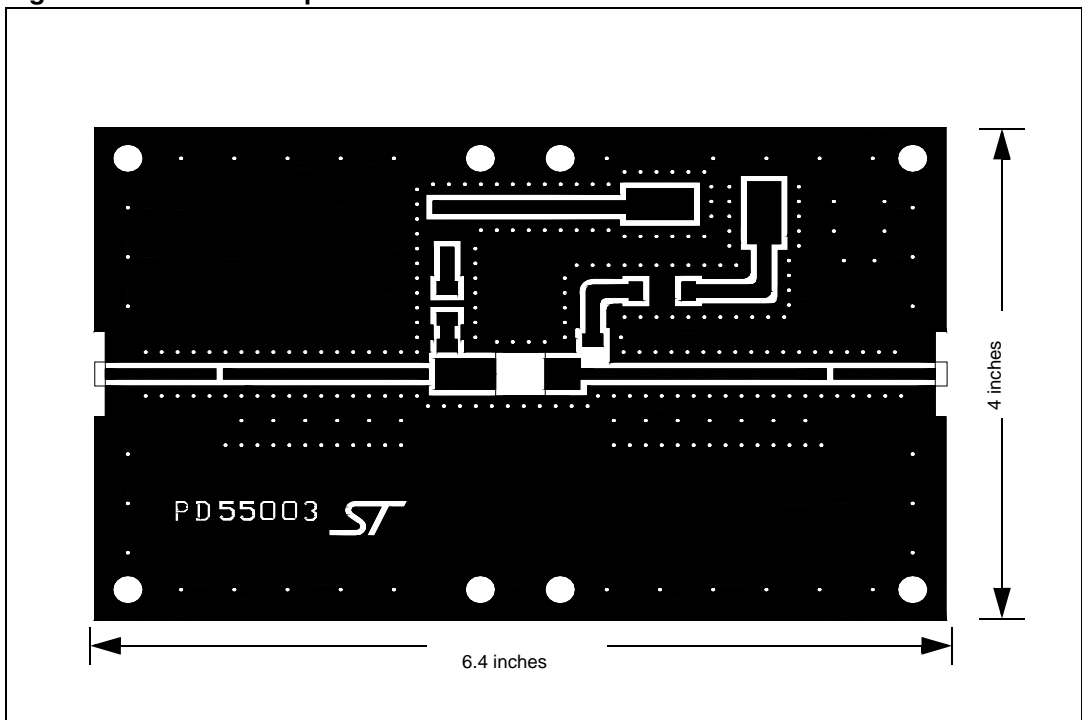


Figure 33. Test circuit photomaster



8 Common source s-parameter

Table 10. S-parameter for the PowerSO-10RF formed lead ($V_{DS} = 12.5\text{ V}$, $I_{DS} = 0.15\text{ A}$)

| Freq (MHz) | $ S_{11} $ | $S_{11}\angle\Phi$ | $ S_{21} $ | $S_{21}\angle\Phi$ | $ S_{12} $ | $S_{12} - \text{DF}$ | $ S_{22} $ | $S_{22} - \text{DF}$ |
|------------|------------|--------------------|------------|--------------------|------------|----------------------|------------|----------------------|
| 50 | 0.780 | -120 | 21.77 | 106 | 0.038 | 19 | 0.669 | -111 |
| 100 | 0.764 | -144 | 11.34 | 88 | 0.040 | -1 | 0.643 | -137 |
| 150 | 0.786 | -154 | 7.47 | 77 | 0.040 | -10 | 0.634 | -145 |
| 200 | 0.804 | -159 | 5.45 | 69 | 0.037 | -19 | 0.660 | -149 |
| 250 | 0.817 | -163 | 4.22 | 61 | 0.036 | -26 | 0.680 | -152 |
| 300 | 0.835 | -165 | 3.36 | 55 | 0.034 | -31 | 0.720 | -156 |
| 350 | 0.852 | -167 | 2.75 | 48 | 0.031 | -36 | 0.766 | -158 |
| 400 | 0.865 | -169 | 2.28 | 43 | 0.028 | -41 | 0.786 | -160 |
| 450 | 0.877 | -171 | 1.92 | 38 | 0.027 | -45 | 0.816 | -161 |
| 500 | 0.889 | -172 | 1.65 | 34 | 0.025 | -49 | 0.827 | -163 |
| 550 | 0.899 | -174 | 1.42 | 30 | 0.022 | -52 | 0.847 | -165 |
| 600 | 0.909 | -175 | 1.24 | 27 | 0.021 | -51 | 0.856 | -167 |
| 650 | 0.918 | -177 | 1.09 | 23 | 0.018 | -56 | 0.874 | -169 |
| 700 | 0.924 | -178 | 0.97 | 20 | 0.018 | -54 | 0.881 | -170 |
| 750 | 0.926 | -179 | 0.87 | 17 | 0.016 | -61 | 0.895 | -172 |
| 800 | 0.929 | 180 | 0.78 | 15 | 0.014 | -62 | 0.906 | -173 |
| 850 | 0.935 | 179 | 0.71 | 12 | 0.011 | -56 | 0.916 | -174 |
| 900 | 0.938 | 178 | 0.65 | 10 | 0.011 | -63 | 0.913 | -175 |
| 950 | 0.940 | 177 | 0.59 | 8 | 0.010 | -62 | 0.925 | -177 |
| 1000 | 0.941 | 176 | 0.55 | 5 | 0.007 | -69 | 0.928 | -178 |
| 1050 | 0.944 | 175 | 0.51 | 3 | 0.007 | -57 | 0.925 | -180 |
| 1100 | 0.947 | 174 | 0.47 | 1 | 0.006 | -56 | 0.929 | -180 |
| 1150 | 0.946 | 173 | 0.44 | -1 | 0.005 | -53 | 0.928 | 179 |
| 1200 | 0.944 | 172 | 0.41 | -3 | 0.004 | -40 | 0.927 | 178 |
| 1250 | 0.949 | 171 | 0.38 | -5 | 0.004 | -54 | 0.928 | 176 |
| 1300 | 0.949 | 170 | 0.36 | -7 | 0.003 | -63 | 0.940 | 176 |
| 1350 | 0.947 | 169 | 0.34 | -9 | 0.001 | -15 | 0.935 | 175 |
| 1400 | 0.949 | 168 | 0.31 | -10 | 0.001 | 82 | 0.938 | 175 |
| 1450 | 0.946 | 167 | 0.29 | -12 | 0.002 | 76 | 0.933 | 174 |
| 1500 | 0.948 | 167 | 0.27 | -12 | 0.002 | 124 | 0.939 | 173 |

Table 11. S-parameter for the PowerSO-10RF formed lead ($V_{DS} = 12.5$ V, $I_{DS} = 0.8$ A)

| Freq (MHz) | $ S_{11} $ | $S_{11}\angle\Phi$ | $ S_{21} $ | $S_{21}\angle\Phi$ | $ S_{12} $ | $S_{12} - DF$ | $ S_{22} $ | $S_{22} - DF$ |
|------------|------------|--------------------|------------|--------------------|------------|---------------|------------|---------------|
| 50 | 0.786 | -138 | 26.54 | 100 | 0.026 | 13 | 0.666 | -137 |
| 100 | 0.791 | -156 | 13.46 | 87 | 0.026 | 0 | 0.674 | -155 |
| 150 | 0.816 | -163 | 8.94 | 80 | 0.027 | -5 | 0.662 | -160 |
| 200 | 0.829 | -167 | 6.63 | 73 | 0.026 | -13 | 0.678 | -163 |
| 250 | 0.835 | -170 | 5.24 | 67 | 0.025 | -16 | 0.677 | -164 |
| 300 | 0.846 | -171 | 4.26 | 62 | 0.025 | -21 | 0.709 | -167 |
| 350 | 0.854 | -173 | 3.57 | 56 | 0.023 | -25 | 0.736 | -167 |
| 400 | 0.864 | -174 | 3.01 | 51 | 0.021 | -31 | 0.758 | -168 |
| 450 | 0.872 | -175 | 2.58 | 47 | 0.021 | -31 | 0.783 | -167 |
| 500 | 0.878 | -176 | 2.24 | 43 | 0.019 | -34 | 0.787 | -168 |
| 550 | 0.890 | -177 | 1.97 | 39 | 0.018 | -37 | 0.800 | -170 |
| 600 | 0.896 | -178 | 1.74 | 36 | 0.017 | -39 | 0.816 | -171 |
| 650 | 0.902 | -179 | 1.56 | 32 | 0.014 | -44 | 0.827 | -173 |
| 700 | 0.910 | 180 | 1.41 | 29 | 0.015 | -38 | 0.845 | -173 |
| 750 | 0.909 | 179 | 1.27 | 26 | 0.012 | -46 | 0.854 | -175 |
| 800 | 0.917 | 178 | 1.16 | 23 | 0.011 | -41 | 0.865 | -175 |
| 850 | 0.918 | 177 | 1.06 | 21 | 0.008 | -37 | 0.879 | -176 |
| 900 | 0.925 | 176 | 0.97 | 18 | 0.010 | -43 | 0.877 | -177 |
| 950 | 0.926 | 175 | 0.90 | 15 | 0.008 | -47 | 0.887 | -179 |
| 1000 | 0.927 | 174 | 0.83 | 12 | 0.007 | -44 | 0.889 | 180 |
| 1050 | 0.921 | 173 | 0.77 | 10 | 0.007 | -47 | 0.898 | 179 |
| 1100 | 0.932 | 172 | 0.72 | 8 | 0.006 | -11 | 0.902 | 179 |
| 1150 | 0.933 | 172 | 0.67 | 6 | 0.005 | -35 | 0.895 | 178 |
| 1200 | 0.930 | 171 | 0.63 | 4 | 0.004 | -16 | 0.901 | 177 |
| 1250 | 0.937 | 170 | 0.59 | 1 | 0.004 | -14 | 0.897 | 176 |
| 1300 | 0.937 | 169 | 0.55 | -1 | 0.004 | 4 | 0.916 | 176 |
| 1350 | 0.936 | 168 | 0.52 | -3 | 0.003 | 1 | 0.909 | 175 |
| 1400 | 0.937 | 168 | 0.49 | -4 | 0.004 | 39 | 0.917 | 174 |
| 1450 | 0.934 | 167 | 0.45 | -6 | 0.004 | 60 | 0.910 | 173 |
| 1500 | 0.938 | 166 | 0.43 | -7 | 0.002 | 73 | 0.916 | 172 |

Table 12. S-parameter for the PowerSO-10RF formed lead ($V_{DS} = 12.5\text{ V}$, $I_{DS} = 1.5\text{ A}$)

| Freq (MHz) | $ S_{11} $ | $S_{11}\angle\Phi$ | $ S_{21} $ | $S_{21}\angle\Phi$ | $ S_{12} $ | $S_{12} - \text{DF}$ | $ S_{22} $ | $S_{22} - \text{DF}$ |
|------------|------------|--------------------|------------|--------------------|------------|----------------------|------------|----------------------|
| 50 | 0.789 | -140 | 26.35 | 100 | 0.025 | 15 | 0.666 | -141 |
| 100 | 0.800 | -157 | 13.35 | 87 | 0.025 | -1 | 0.675 | -157 |
| 150 | 0.825 | -164 | 8.88 | 80 | 0.024 | -6 | 0.667 | -162 |
| 200 | 0.836 | -168 | 6.59 | 74 | 0.023 | -13 | 0.678 | -164 |
| 250 | 0.842 | -171 | 5.22 | 68 | 0.024 | -16 | 0.678 | -165 |
| 300 | 0.851 | -172 | 4.26 | 62 | 0.022 | -18 | 0.713 | -168 |
| 350 | 0.856 | -174 | 3.56 | 57 | 0.021 | -25 | 0.738 | -168 |
| 400 | 0.864 | -175 | 3.02 | 52 | 0.021 | -28 | 0.754 | -168 |
| 450 | 0.874 | -176 | 2.60 | 48 | 0.019 | -32 | 0.770 | -168 |
| 500 | 0.882 | -177 | 2.25 | 44 | 0.017 | -32 | 0.782 | -169 |
| 550 | 0.888 | -178 | 1.98 | 40 | 0.016 | -33 | 0.796 | -171 |
| 600 | 0.898 | -179 | 1.76 | 36 | 0.016 | -37 | 0.806 | -172 |
| 650 | 0.901 | -180 | 1.58 | 33 | 0.013 | -34 | 0.825 | -173 |
| 700 | 0.909 | 179 | 1.42 | 30 | 0.013 | -42 | 0.843 | -174 |
| 750 | 0.910 | 178 | 1.29 | 27 | 0.011 | -36 | 0.852 | -175 |
| 800 | 0.915 | 177 | 1.18 | 24 | 0.012 | -36 | 0.861 | -176 |
| 850 | 0.915 | 177 | 1.08 | 21 | 0.010 | -26 | 0.863 | -176 |
| 900 | 0.922 | 176 | 0.99 | 19 | 0.009 | -28 | 0.873 | -178 |
| 950 | 0.926 | 175 | 0.92 | 16 | 0.008 | -39 | 0.880 | -179 |
| 1000 | 0.925 | 174 | 0.85 | 13 | 0.007 | -39 | 0.882 | 180 |
| 1050 | 0.927 | 173 | 0.79 | 11 | 0.006 | -27 | 0.892 | 179 |
| 1100 | 0.928 | 172 | 0.74 | 9 | 0.005 | -35 | 0.891 | 178 |
| 1150 | 0.932 | 171 | 0.68 | 6 | 0.006 | -11 | 0.899 | 178 |
| 1200 | 0.929 | 170 | 0.64 | 4 | 0.005 | -20 | 0.896 | 177 |
| 1250 | 0.933 | 170 | 0.60 | 1 | 0.004 | 8 | 0.889 | 176 |
| 1300 | 0.935 | 169 | 0.57 | 0 | 0.005 | 15 | 0.907 | 175 |
| 1350 | 0.933 | 168 | 0.53 | -3 | 0.004 | 25 | 0.904 | 174 |
| 1400 | 0.936 | 167 | 0.50 | -4 | 0.003 | 53 | 0.911 | 174 |
| 1450 | 0.934 | 166 | 0.49 | -6 | 0.004 | 53 | 0.909 | 173 |
| 1500 | 0.936 | 165 | 0.44 | -7 | 0.004 | 64 | 0.914 | 172 |

Table 13. S-parameter for the PowerSO-10RF straight lead ($V_{DS} = 12.5\text{ V}$, $I_{DS} = 0.15\text{ A}$)

| Freq (MHz) | $ S_{11} $ | $S_{11}\angle\Phi$ | $ S_{21} $ | $S_{21}\angle\Phi$ | $ S_{12} $ | $S_{12} - \text{DF}$ | $ S_{22} $ | $S_{22} - \text{DF}$ |
|------------|------------|--------------------|------------|--------------------|------------|----------------------|------------|----------------------|
| 50 | 0.790 | -120 | 22 | 107 | 0.038 | 17 | 0.682 | -114 |
| 100 | 0.773 | -145 | 11 | 89 | 0.039 | -2 | 0.647 | -138 |
| 150 | 0.791 | -154 | 7 | 78 | 0.039 | -9 | 0.640 | -147 |
| 200 | 0.807 | -159 | 5 | 70 | 0.037 | -19 | 0.671 | -151 |
| 250 | 0.820 | -162 | 4 | 63 | 0.036 | -23 | 0.691 | -154 |
| 300 | 0.836 | -164 | 3 | 56 | 0.033 | -29 | 0.728 | -156 |
| 350 | 0.850 | -166 | 3 | 50 | 0.032 | -33 | 0.751 | -158 |
| 400 | 0.867 | -167 | 2 | 45 | 0.030 | -36 | 0.782 | -160 |
| 450 | 0.880 | -169 | 2 | 40 | 0.027 | -43 | 0.808 | -161 |
| 500 | 0.890 | -170 | 2 | 36 | 0.024 | -43 | 0.835 | -163 |
| 550 | 0.902 | -171 | 1 | 33 | 0.023 | -50 | 0.845 | -165 |
| 600 | 0.911 | -172 | 1 | 29 | 0.022 | -51 | 0.864 | -166 |
| 650 | 0.919 | -173 | 1 | 26 | 0.020 | -55 | 0.872 | -167 |
| 700 | 0.923 | -174 | 1 | 23 | 0.018 | -52 | 0.884 | -169 |
| 750 | 0.924 | -176 | 1 | 20 | 0.016 | -55 | 0.887 | -170 |
| 800 | 0.933 | -177 | 1 | 18 | 0.015 | -55 | 0.895 | -172 |
| 850 | 0.936 | -177 | 1 | 15 | 0.015 | -56 | 0.912 | -173 |
| 900 | 0.940 | -178 | 1 | 13 | 0.012 | -59 | 0.916 | -174 |
| 950 | 0.943 | -179 | 1 | 11 | 0.011 | -53 | 0.926 | -176 |
| 1000 | 0.944 | -180 | 1 | 8 | 0.008 | -60 | 0.943 | -177 |
| 1050 | 0.949 | 180 | 1 | 7 | 0.007 | -64 | 0.935 | -177 |
| 1100 | 0.948 | 179 | 0 | 4 | 0.007 | -44 | 0.944 | -178 |
| 1150 | 0.950 | 178 | 0 | 3 | 0.006 | -44 | 0.939 | -179 |
| 1200 | 0.950 | 177 | 0 | -1 | 0.005 | -50 | 0.942 | -180 |
| 1250 | 0.955 | 177 | 0 | -2 | 0.004 | -42 | 0.941 | 179 |
| 1300 | 0.951 | 176 | 0 | -4 | 0.004 | -41 | 0.933 | 178 |
| 1350 | 0.953 | 175 | 0 | -5 | 0.004 | -50 | 0.933 | 177 |
| 1400 | 0.953 | 175 | 0 | -7 | 0.002 | -41 | 0.947 | 176 |
| 1450 | 0.952 | 173 | 0 | -9 | 0.002 | -13 | 0.952 | 175 |
| 1500 | 0.949 | 173 | 0 | -10 | 0.000 | -3 | 0.958 | 174 |

Table 14. S-parameter for the PowerSO-10RF straight lead ($V_{DS} = 12.5\text{ V}$, $I_{DS} = 0.8\text{ A}$)

| Freq (MHz) | $ S_{11} $ | $S_{11}\angle\Phi$ | $ S_{21} $ | $S_{21}\angle\Phi$ | $ S_{12} $ | $S_{12} - \text{DF}$ | $ S_{22} $ | $S_{22} - \text{DF}$ |
|------------|------------|--------------------|------------|--------------------|------------|----------------------|------------|----------------------|
| 50 | 0.807 | -137 | 26.18 | 102 | 0.025 | 12 | 0.682 | -140 |
| 100 | 0.809 | -156 | 13.41 | 88 | 0.026 | 0 | 0.683 | -157 |
| 150 | 0.827 | -163 | 8.92 | 81 | 0.025 | -6 | 0.677 | -162 |
| 200 | 0.838 | -167 | 6.64 | 75 | 0.024 | -12 | 0.698 | -165 |
| 250 | 0.842 | -169 | 5.24 | 69 | 0.026 | -13 | 0.704 | -166 |
| 300 | 0.849 | -171 | 4.28 | 64 | 0.022 | -19 | 0.720 | -167 |
| 350 | 0.856 | -172 | 3.57 | 59 | 0.023 | -21 | 0.736 | -167 |
| 400 | 0.866 | -173 | 3.03 | 54 | 0.021 | -28 | 0.758 | -168 |
| 450 | 0.873 | -174 | 2.61 | 50 | 0.020 | -30 | 0.773 | -168 |
| 500 | 0.881 | -174 | 2.26 | 46 | 0.056 | -27 | 0.797 | -169 |
| 550 | 0.891 | -175 | 1.99 | 42 | 0.018 | -36 | 0.806 | -170 |
| 600 | 0.896 | -176 | 1.76 | 39 | 0.017 | -35 | 0.825 | -171 |
| 650 | 0.902 | -176 | 1.58 | 36 | 0.016 | -38 | 0.831 | -171 |
| 700 | 0.908 | -177 | 1.42 | 33 | 0.015 | -39 | 0.834 | -172 |
| 750 | 0.910 | -178 | 1.29 | 30 | 0.014 | -40 | 0.845 | -174 |
| 800 | 0.916 | -179 | 1.18 | 27 | 0.012 | -43 | 0.859 | -174 |
| 850 | 0.922 | -180 | 1.08 | 25 | 0.011 | -40 | 0.864 | -175 |
| 900 | 0.926 | 180 | 1.00 | 22 | 0.009 | -44 | 0.878 | -176 |
| 950 | 0.927 | 179 | 0.93 | 19 | 0.010 | -43 | 0.892 | -178 |
| 1000 | 0.929 | 178 | 0.85 | 17 | 0.007 | -34 | 0.905 | -178 |
| 1050 | 0.937 | 178 | 0.80 | 15 | 0.007 | -30 | 0.901 | -179 |
| 1100 | 0.934 | 177 | 0.75 | 12 | 0.006 | -29 | 0.910 | -179 |
| 1150 | 0.934 | 177 | 0.70 | 10 | 0.006 | -29 | 0.914 | -180 |
| 1200 | 0.937 | 176 | 0.65 | 7 | 0.005 | -23 | 0.912 | 180 |
| 1250 | 0.941 | 175 | 0.62 | 5 | 0.005 | -25 | 0.912 | 179 |
| 1300 | 0.938 | 175 | 0.57 | 3 | 0.005 | -3 | 0.909 | 177 |
| 1350 | 0.941 | 174 | 0.54 | 1 | 0.004 | 3 | 0.906 | 176 |
| 1400 | 0.941 | 174 | 0.51 | -1 | 0.004 | 18 | 0.918 | 176 |
| 1450 | 0.939 | 173 | 0.48 | -2 | 0.003 | 21 | 0.925 | 174 |
| 1500 | 0.939 | 172 | 0.45 | -3 | 0.002 | 42 | 0.931 | 173 |

Table 15. S-parameter for the PowerSO-10RF straight lead ($V_{DS} = 12.5\text{ V}$, $I_{DS} = 1.5\text{ A}$)

| Freq (MHz) | $ S_{11} $ | $S_{11}\angle\Phi$ | $ S_{21} $ | $S_{21}\angle\Phi$ | $ S_{12} $ | $S_{12} - \text{DF}$ | $ S_{22} $ | $S_{22} - \text{DF}$ |
|------------|------------|--------------------|------------|--------------------|------------|----------------------|------------|----------------------|
| 50 | 0.816 | -140 | 26.05 | 101 | 0.024 | 11 | 0.684 | -144 |
| 100 | 0.817 | -157 | 13.34 | 88 | 0.025 | -2 | 0.690 | -159 |
| 150 | 0.839 | -164 | 8.89 | 82 | 0.024 | -3 | 0.685 | -164 |
| 200 | 0.847 | -168 | 6.62 | 76 | 0.024 | -10 | 0.701 | -166 |
| 250 | 0.850 | -170 | 5.25 | 70 | 0.023 | -14 | 0.707 | -168 |
| 300 | 0.655 | -171 | 4.29 | 65 | 0.023 | -17 | 0.726 | -168 |
| 350 | 0.861 | -173 | 3.59 | 60 | 0.021 | -21 | 0.735 | -169 |
| 400 | 0.869 | -174 | 3.06 | 55 | 0.020 | -24 | 0.761 | -169 |
| 450 | 0.877 | -174 | 2.64 | 51 | 0.019 | -27 | 0.769 | -170 |
| 500 | 0.884 | -175 | 2.30 | 47 | 0.017 | -31 | 0.795 | -170 |
| 550 | 0.893 | -176 | 2.02 | 44 | 0.017 | -26 | 0.800 | -171 |
| 600 | 0.898 | -177 | 1.80 | 40 | 0.015 | -36 | 0.819 | -172 |
| 650 | 0.905 | -177 | 1.62 | 38 | 0.015 | -36 | 0.829 | -172 |
| 700 | 0.908 | -178 | 1.46 | 34 | 0.014 | -34 | 0.831 | -173 |
| 750 | 0.909 | -179 | 1.33 | 31 | 0.012 | -35 | 0.842 | -174 |
| 800 | 0.914 | -179 | 1.21 | 29 | 0.012 | -36 | 0.852 | -175 |
| 850 | 0.918 | -180 | 1.11 | 26 | 0.011 | -31 | 0.856 | -176 |
| 900 | 0.923 | 179 | 1.03 | 23 | 0.009 | -32 | 0.872 | -177 |
| 950 | 0.927 | 179 | 0.96 | 21 | 0.009 | -34 | 0.879 | -178 |
| 1000 | 0.926 | 178 | 0.88 | 18 | 0.008 | -21 | 0.894 | -178 |
| 1050 | 0.935 | 178 | 0.83 | 16 | 0.007 | -20 | 0.898 | -179 |
| 1100 | 0.933 | 177 | 0.78 | 13 | 0.007 | -22 | 0.900 | -179 |
| 1150 | 0.933 | 176 | 0.73 | 10 | 0.006 | -15 | 0.904 | 180 |
| 1200 | 0.934 | 175 | 0.68 | 8 | 0.005 | -18 | 0.903 | 179 |
| 1250 | 0.940 | 175 | 0.64 | 6 | 0.004 | -16 | 0.901 | 178 |
| 1300 | 0.935 | 174 | 0.59 | 4 | 0.004 | 4 | 0.902 | 177 |
| 1350 | 0.938 | 174 | 0.56 | 2 | 0.005 | 5 | 0.898 | 176 |
| 1400 | 0.938 | 173 | 0.53 | 0 | 0.005 | 25 | 0.915 | 175 |
| 1450 | 0.939 | 173 | 0.50 | -2 | 0.004 | 14 | 0.925 | 174 |
| 1500 | 0.935 | 172 | 0.47 | -3 | 0.002 | 48 | 0.928 | 173 |

9 Package mechanical data

In order to meet environmental requirements, ST offers these devices in different grades of ECOPACK[®] packages, depending on their level of environmental compliance. ECOPACK[®] specifications, grade definitions and product status are available at: www.st.com. ECOPACK[®] is an ST trademark.

Table 16. PowerSO-10RF formed lead (gull wing) mechanical data

| Dim. | mm. | | | Inch | | |
|------|-------|--------|-------|-------|--------|--------|
| | Min | Typ | Max | Min | Typ | Max |
| A1 | 0 | 0.05 | 0.1 | 0. | 0.0019 | 0.0038 |
| A2 | 3.4 | 3.5 | 3.6 | 0.134 | 0.137 | 0.142 |
| A3 | 1.2 | 1.3 | 1.4 | 0.046 | 0.05 | 0.054 |
| A4 | 0.15 | 0.2 | 0.25 | 0.005 | 0.007 | 0.009 |
| a | | 0.2 | | | 0.007 | |
| b | 5.4 | 5.53 | 5.65 | 0.212 | 0.217 | 0.221 |
| c | 0.23 | 0.27 | 0.32 | 0.008 | 0.01 | 0.012 |
| D | 9.4 | 9.5 | 9.6 | 0.370 | 0.374 | 0.377 |
| D1 | 7.4 | 7.5 | 7.6 | 0.290 | 0.295 | 0.298 |
| E | 13.85 | 14.1 | 14.35 | 0.544 | 0.555 | 0.565 |
| E1 | 9.3 | 9.4 | 9.5 | 0.365 | 0.37 | 0.375 |
| E2 | 7.3 | 7.4 | 7.5 | 0.286 | 0.292 | 0.294 |
| E3 | 5.9 | 6.1 | 6.3 | 0.231 | 0.24 | 0.247 |
| F | | 0.5 | | | 0.019 | |
| G | | 1.2 | | | 0.047 | |
| L | 0.8 | 1 | 1.1 | 0.030 | 0.039 | 0.042 |
| R1 | | | 0.25 | | | 0.01 |
| R2 | | 0.8 | | | 0.031 | |
| T | 2 deg | 5 deg | 8 deg | 2 deg | 5 deg | 8 deg |
| T1 | | 6 deg | | | 6 deg | |
| T2 | | 10 deg | | | 10 deg | |

Note: Resin protrusions not included (max value: 0.15 mm per side)

Figure 34. Package dimensions

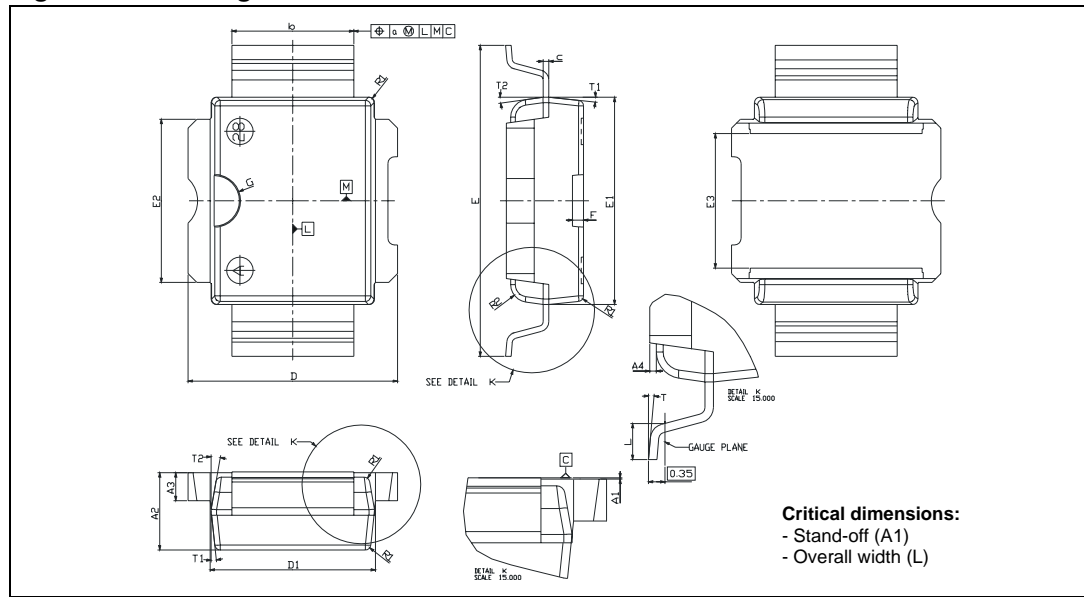


Table 17. PowerSO-10RF straight lead mechanical data

| Dim. | mm. | | | Inch | | |
|------|-------|--------|-------|-------|--------|-------|
| | Min | Typ | Max | Min | Typ | Max |
| A1 | 1.62 | 1.67 | 1.72 | 0.064 | 0.065 | 0.068 |
| A2 | 3.4 | 3.5 | 3.6 | 0.134 | 0.137 | 0.142 |
| A3 | 1.2 | 1.3 | 1.4 | 0.046 | 0.05 | 0.054 |
| A4 | 0.15 | 0.2 | 0.25 | 0.005 | 0.007 | 0.009 |
| a | | 0.2 | | | 0.007 | |
| b | 5.4 | 5.53 | 5.65 | 0.212 | 0.217 | 0.221 |
| c | 0.23 | 0.27 | 0.32 | 0.008 | 0.01 | 0.012 |
| D | 9.4 | 9.5 | 9.6 | 0.370 | 0.374 | 0.377 |
| D1 | 7.4 | 7.5 | 7.6 | 0.290 | 0.295 | 0.298 |
| E | 15.15 | 15.4 | 15.65 | 0.595 | 0.606 | 0.615 |
| E1 | 9.3 | 9.4 | 9.5 | 0.365 | 0.37 | 0.375 |
| E2 | 7.3 | 7.4 | 7.5 | 0.286 | 0.292 | 0.294 |
| E3 | 5.9 | 6.1 | 6.3 | 0.231 | 0.24 | 0.247 |
| F | | 0.5 | | | 0.019 | |
| G | | 1.2 | | | 0.047 | |
| R1 | | | 0.25 | | | 0.01 |
| R2 | | 0.8 | | | 0.031 | |
| T1 | | 6 deg | | | 6 deg | |
| T2 | | 10 deg | | | 10 deg | |

Note: Resin protrusions not included (max value: 0.15 mm per side)

Figure 35. Package dimensions

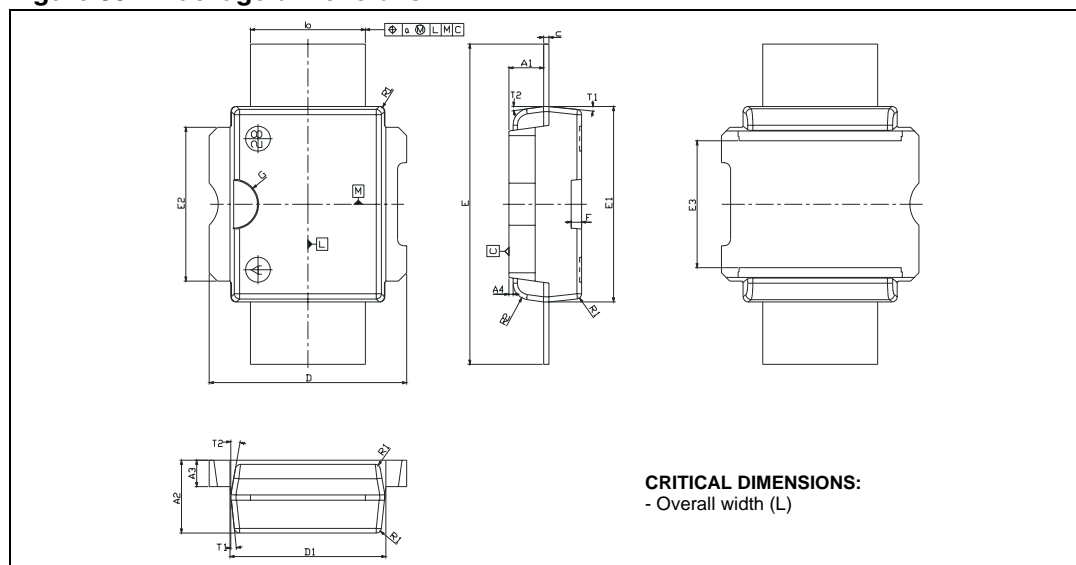
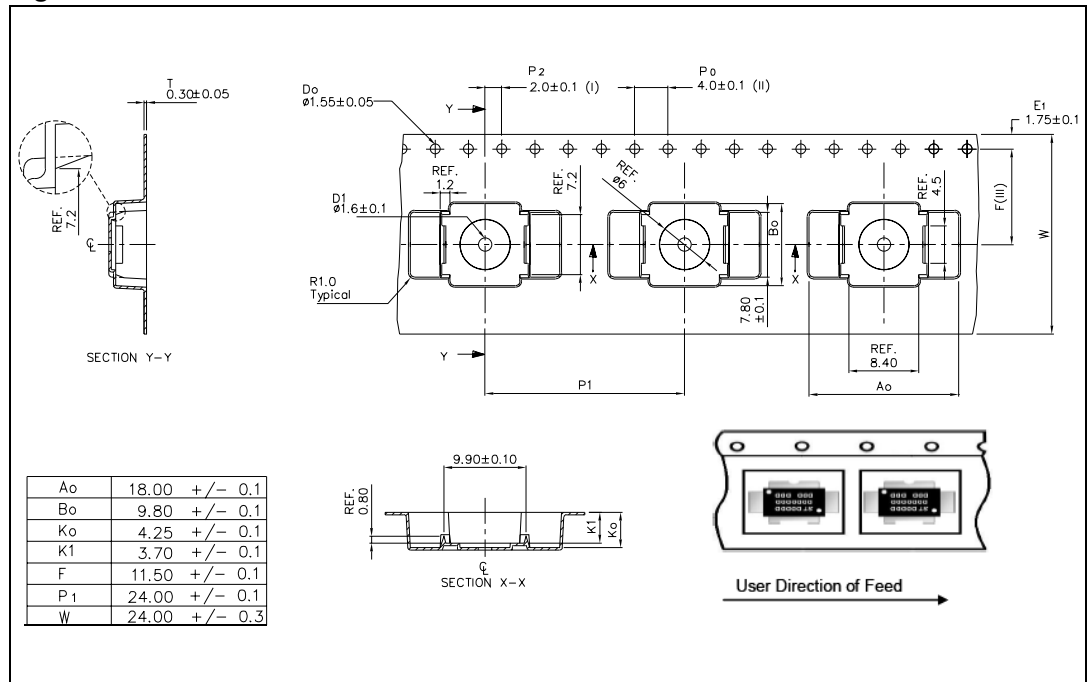


Figure 36. Tube information



Figure 37. Reel information



10 Revision history

Table 18. Document revision history

| Date | Revision | Changes |
|-------------|----------|--|
| 21-Mar-2006 | 1 | Initial release. |
| 01-Aug-2007 | 2 | Update $R_{DS(on)}$ in Table 4: Static . |
| 19-May-2010 | 3 | Added: Table 6: Moisture sensitivity level . |
| 08-Aug-2011 | 4 | Added Figure 6: Maximum safe operating area . Minor text changes. |

Please Read Carefully:

Information in this document is provided solely in connection with ST products. STMicroelectronics NV and its subsidiaries ("ST") reserve the right to make changes, corrections, modifications or improvements, to this document, and the products and services described herein at any time, without notice.

All ST products are sold pursuant to ST's terms and conditions of sale.

Purchasers are solely responsible for the choice, selection and use of the ST products and services described herein, and ST assumes no liability whatsoever relating to the choice, selection or use of the ST products and services described herein.

No license, express or implied, by estoppel or otherwise, to any intellectual property rights is granted under this document. If any part of this document refers to any third party products or services it shall not be deemed a license grant by ST for the use of such third party products or services, or any intellectual property contained therein or considered as a warranty covering the use in any manner whatsoever of such third party products or services or any intellectual property contained therein.

UNLESS OTHERWISE SET FORTH IN ST'S TERMS AND CONDITIONS OF SALE ST DISCLAIMS ANY EXPRESS OR IMPLIED WARRANTY WITH RESPECT TO THE USE AND/OR SALE OF ST PRODUCTS INCLUDING WITHOUT LIMITATION IMPLIED WARRANTIES OF MERCHANTABILITY, FITNESS FOR A PARTICULAR PURPOSE (AND THEIR EQUIVALENTS UNDER THE LAWS OF ANY JURISDICTION), OR INFRINGEMENT OF ANY PATENT, COPYRIGHT OR OTHER INTELLECTUAL PROPERTY RIGHT.

UNLESS EXPRESSLY APPROVED IN WRITING BY TWO AUTHORIZED ST REPRESENTATIVES, ST PRODUCTS ARE NOT RECOMMENDED, AUTHORIZED OR WARRANTED FOR USE IN MILITARY, AIR CRAFT, SPACE, LIFE SAVING, OR LIFE SUSTAINING APPLICATIONS, NOR IN PRODUCTS OR SYSTEMS WHERE FAILURE OR MALFUNCTION MAY RESULT IN PERSONAL INJURY, DEATH, OR SEVERE PROPERTY OR ENVIRONMENTAL DAMAGE. ST PRODUCTS WHICH ARE NOT SPECIFIED AS "AUTOMOTIVE GRADE" MAY ONLY BE USED IN AUTOMOTIVE APPLICATIONS AT USER'S OWN RISK.

Resale of ST products with provisions different from the statements and/or technical features set forth in this document shall immediately void any warranty granted by ST for the ST product or service described herein and shall not create or extend in any manner whatsoever, any liability of ST.

ST and the ST logo are trademarks or registered trademarks of ST in various countries.

Information in this document supersedes and replaces all information previously supplied.

The ST logo is a registered trademark of STMicroelectronics. All other names are the property of their respective owners.

© 2011 STMicroelectronics - All rights reserved

STMicroelectronics group of companies

Australia - Belgium - Brazil - Canada - China - Czech Republic - Finland - France - Germany - Hong Kong - India - Israel - Italy - Japan - Malaysia - Malta - Morocco - Philippines - Singapore - Spain - Sweden - Switzerland - United Kingdom - United States of America

www.st.com





Компания «ЭлектроПласт» предлагает заключение долгосрочных отношений при поставках импортных электронных компонентов на взаимовыгодных условиях!

Наши преимущества:

- Оперативные поставки широкого спектра электронных компонентов отечественного и импортного производства напрямую от производителей и с крупнейших мировых складов;
- Поставка более 17-ти миллионов наименований электронных компонентов;
- Поставка сложных, дефицитных, либо снятых с производства позиций;
- Оперативные сроки поставки под заказ (от 5 рабочих дней);
- Экспресс доставка в любую точку России;
- Техническая поддержка проекта, помощь в подборе аналогов, поставка прототипов;
- Система менеджмента качества сертифицирована по Международному стандарту ISO 9001;
- Лицензия ФСБ на осуществление работ с использованием сведений, составляющих государственную тайну;
- Поставка специализированных компонентов (Xilinx, Altera, Analog Devices, Intersil, Interpoint, Microsemi, Aeroflex, Peregrine, Syfer, Eurofarad, Texas Instrument, Miteq, Cobham, E2V, MA-COM, Hittite, Mini-Circuits, General Dynamics и др.);

Помимо этого, одним из направлений компании «ЭлектроПласт» является направление «Источники питания». Мы предлагаем Вам помощь Конструкторского отдела:

- Подбор оптимального решения, техническое обоснование при выборе компонента;
- Подбор аналогов;
- Консультации по применению компонента;
- Поставка образцов и прототипов;
- Техническая поддержка проекта;
- Защита от снятия компонента с производства.



Как с нами связаться

Телефон: 8 (812) 309 58 32 (многоканальный)

Факс: 8 (812) 320-02-42

Электронная почта: org@eplast1.ru

Адрес: 198099, г. Санкт-Петербург, ул. Калинина, дом 2, корпус 4, литера А.