

|          |                           |
|----------|---------------------------|
| MASS (g) | VOLUME (mm <sup>3</sup> ) |
| 7.7      | 1320                      |

**ELECTRICAL:**

EMI SHIELDING : SHIELDED FOR THE RANGE 55dB UP TO 100MHZ

INSULATION RESISTANCE : >500MΩ PER ANSI-EIA-364-D METHOD 21

MAX. CURRENT RATING : SEE INSULATOR DRAWING

CONNECTOR TESTING VOLTAGE : SEE INSULATOR DRAWING

CONNECTOR WORKING VOLTAGE : SEE INSULATOR DRAWING

**ENVIRONMENTAL:**

ENDURANCE: 1000 CYCLES AS PER MIL-STD 1344A, METHOD 2016.1

SHOCK: 50 g . DURATION 6 ms; AS PER MIL-STD 1344A, METHOD 2004.1

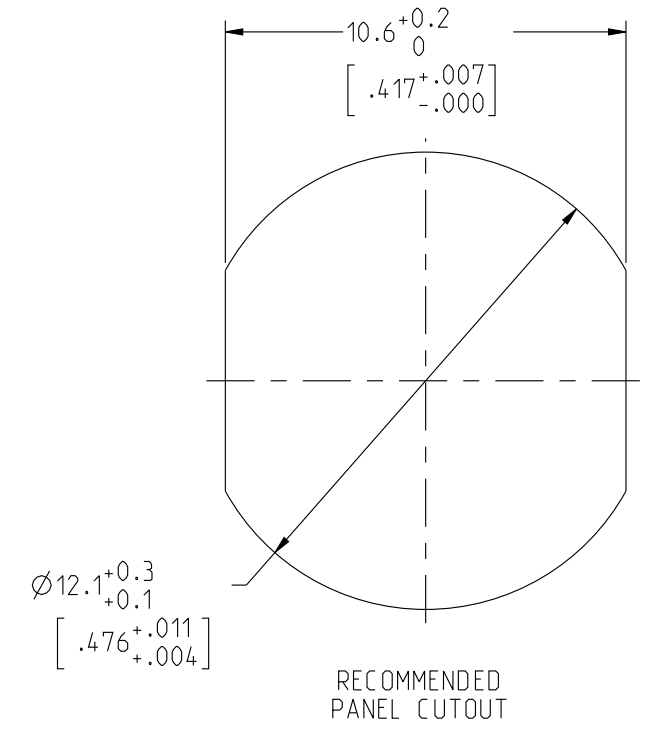
VIBRATIONS: 10 TO 2000Hz g = 15g, AS PER MIL-STD 1344A, METHOD 2005.1

PROTECTION INDEX: IP 40 AS PER CEI 529

ROHS COMPLIANT

SALT MIST : 48Hr PER SAE AS 1344 METHOD 1001.1 CEI 529

**OPERATING TEMPERATURE:** -55°C TO +125°C (-67°F TO +257°F)



RECOMMENDED PANEL CUTOUT

**NOTES:**

1 RED BAND

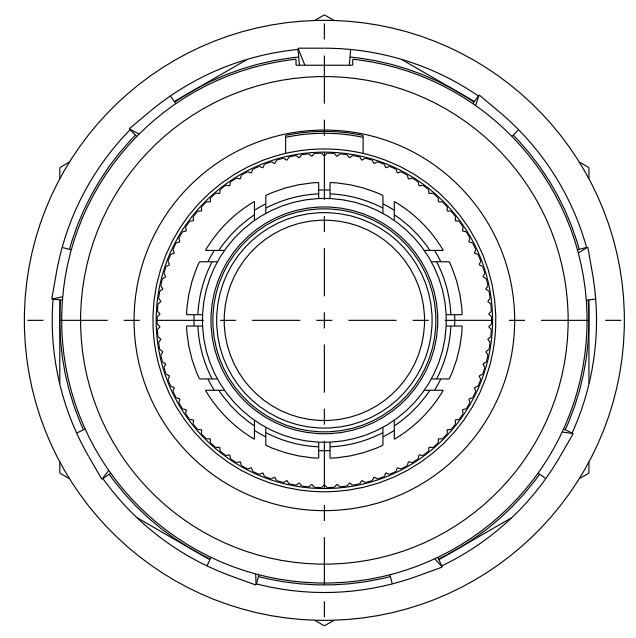
**MATERIAL:**

OUTER SHELL : } BRASS  
SHIELD RING & NUT: }

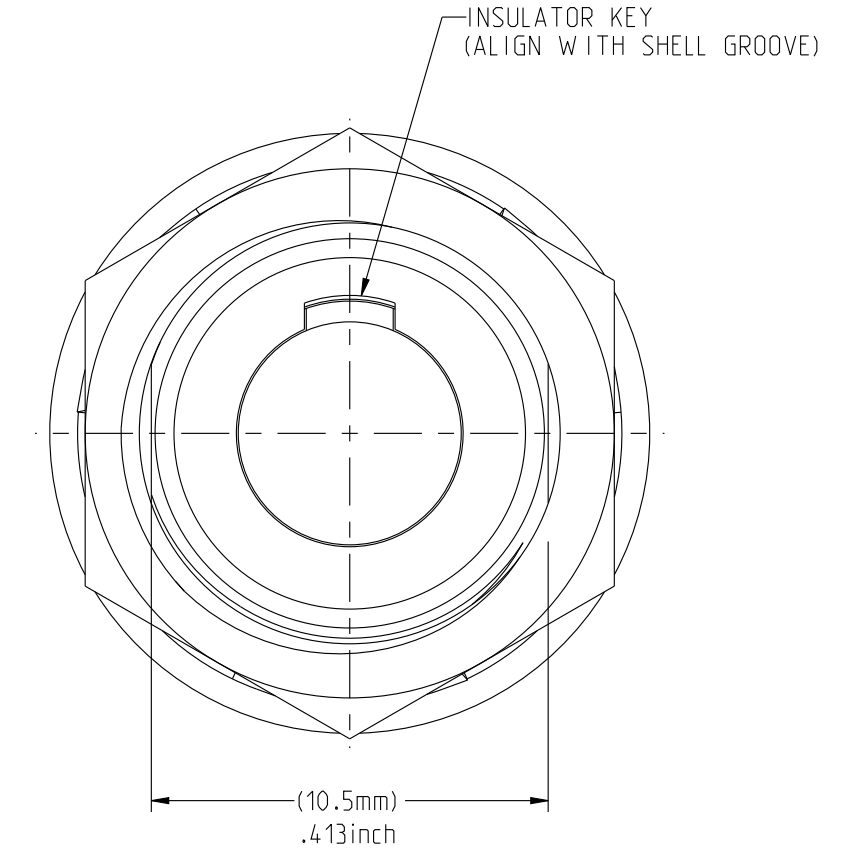
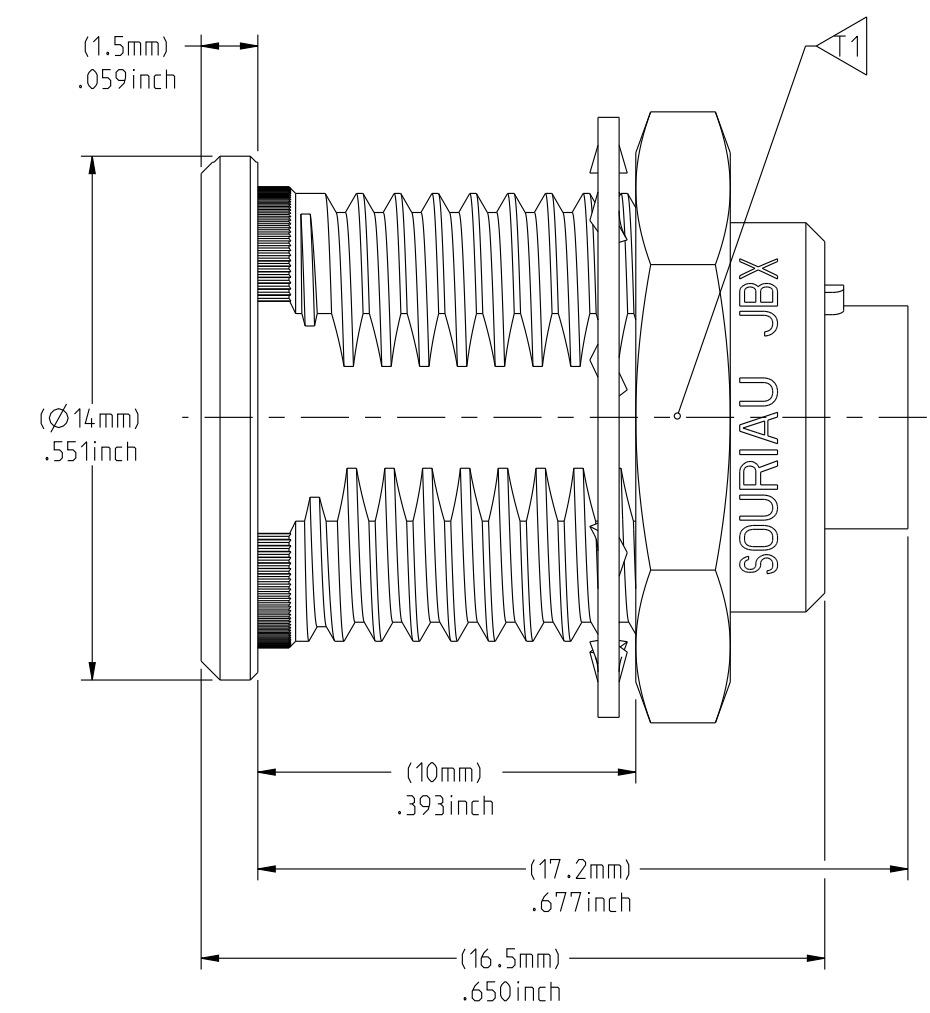
**FINISH:**

OUTER SHELL: CHROME  
OTHER BRASS PARTS : NICKEL

T TOOLS



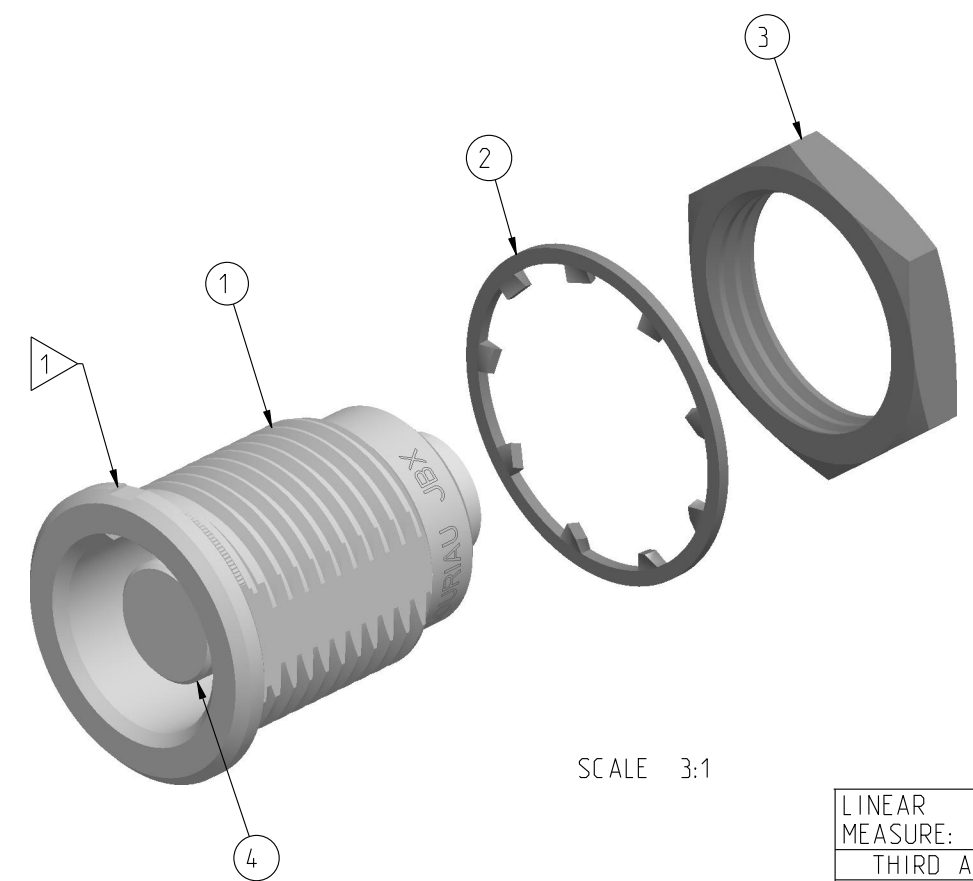
MATING SIDE VIEW



WIRE SIDE VIEW

| PART LIST |             |
|-----------|-------------|
| ITEM NO.  | DESCRIPTION |
| 1         | SHELL       |
| 2         | LOCK WASHER |
| 3         | HEX NUT     |
| 4         | INSULATOR   |

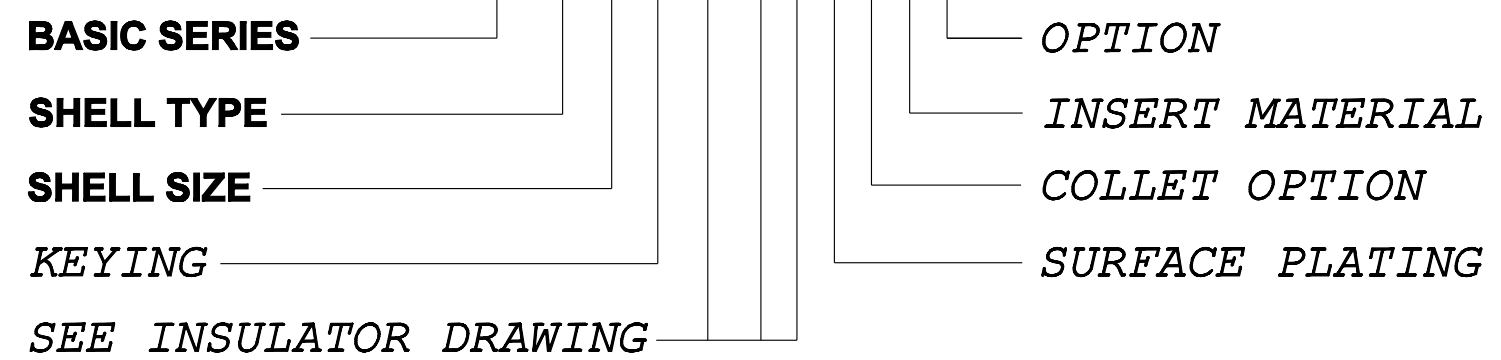
|    | TOOLS (JAW DIMENSION) | ADVISED TORQUE IN Nm |
|----|-----------------------|----------------------|
| T1 | 14                    | 1.3                  |



SCALE 3:1

CATALOG NUMBER DESCRIPTION

JBX ER 1 XXXXXDXR



SEE INSULATOR DRAWING

| ORIGIN | COUNTRY | JURISDICTION | CLASSIFICATION |
|--------|---------|--------------|----------------|
| X      | FR      | Not listed   | N/A            |
|        | US      | EAR          | ECCN #EAR99    |

These commodities, technology or software are exported from the United States in accordance with the Export Administration Regulations. Diversion contrary to U.S. law is prohibited.

|                                       |              |
|---------------------------------------|--------------|
| LINEAR MEASURE:                       | mm (INCH)    |
| THIRD ANGLE PROJECTION                |              |
| TOLERANCES UNLESS OTHERWISE SPECIFIED |              |
| No. OF PLACES                         | mm [INCH]    |
| WHOLE No.                             | ±0.5 [±.02]  |
| ONE PLACE                             | ±0.2 [±.008] |
| TWO PLACES                            | ±0.1 [±.004] |
| ANGLES ±1°                            |              |

**DRAWING TITLE**  
JBX, SIZE 1, FRONT PANEL MOUNTING RECEPTACLE

CAT NO. JBXER1

CAGE NO: 09922 SIZE: C

**CUSTOMER**

INTERPRET THIS DRAWING IN ACCORDANCE WITH ASME Y14.5M - 1994.

**SOURIAU**  
www.souriau.com

|          |                    |          |
|----------|--------------------|----------|
| APPROVAL | DRAWN: SKV         | 01-12-15 |
|          | CHKD : EV          | 01-12-15 |
|          | DSGN : EV          | 01-12-15 |
|          | MFG : DH           | 01-12-15 |
|          | QC : BB            | 01-12-15 |
|          | DRAWING SCALE: 5:1 |          |
|          | DRAWING NO.        | REV      |
|          | JBXERIC            | A        |

1 OF 1

THIS DRAWING IS A CONTROLLED DOCUMENT FOR SOURIAU USA, INC. IT IS SUBJECT TO CHANGE WITHOUT NOTIFICATION. CONTACT THE DOCUMENT CONTROL CENTER FOR THE LATEST REVISION.

C

B

THE INFORMATION CONTAINED IN THIS DRAWING IS CONFIDENTIAL AND MAY NOT BE DISCLOSED WITHOUT WRITTEN CONSENT FROM SOURIAU USA, INC.

D

C

B

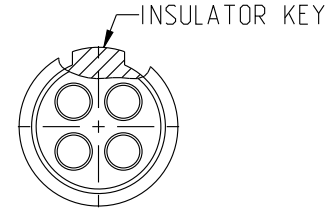
A

DWG. NO.  
JBX11NSMCC

**MALE INSULATOR, CRIMP CONTACT**

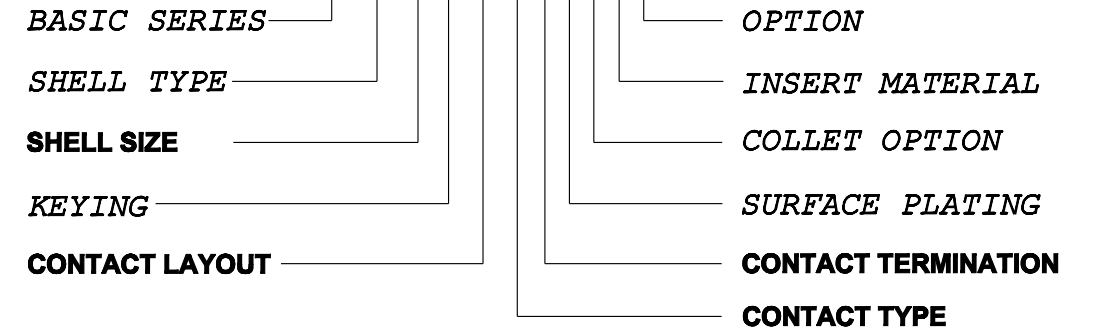
| CONTACT LAYOUT             | 02                      | 03      | 04      | 05      |
|----------------------------|-------------------------|---------|---------|---------|
| FRONT SIDE VIEW            |                         |         |         |         |
| REAR SIDE VIEW             |                         |         |         |         |
| CONTACT                    |                         |         |         |         |
| ISO VIEW                   |                         |         |         |         |
| CONTACT                    | ØC                      | 1.3     | 1.3     | 0.9     |
|                            | ØF                      | 1.4     | 1.4     | 1.1     |
|                            | MAX. AWG                | 18      | 18      | 20      |
|                            | MAX. CURRENT RATING (A) | 15      | 15      | 10      |
| INSULATOR                  | CONTACT RESISTANCE (mΩ) | 3       | 3       | 3.5     |
|                            | NUMBER OF CAVITY        | 2       | 3       | 4       |
|                            | MAX. CURRENT RATING     | 15      | 12      | 10      |
|                            | TEST VOLTAGE (Vrms)     | 1600    | 1300    | 1900    |
| WORKING VOLTAGE (Vdc/Vrms) | 760/530                 | 600/420 | 900/630 | 660/460 |

**CONTACT TYPE :** M (MALE)  
**CONTACT TERMINATION :** C (CRIMP)  
**MATERIAL :**  
 CONTACT: BRASS  
 CLIP: COPPER ALLOY  
 INSULATOR: PEEK  
**FINISH:**  
 CONTACTS: GOLD



**CATALOG NUMBER DESCRIPTION**

**JBXXX 1 XYYM CXXXX**



|     |                        |                 |                |
|-----|------------------------|-----------------|----------------|
| B   | REVISED PER ECN 12286  | RSK<br>06-10-15 | EV<br>06-10-15 |
| A   | RELEASED PER ECN 12264 | SKV<br>03-10-15 | EV<br>03-10-15 |
| REV | DESCRIPTION            | BY<br>DATE      | CHKD<br>DATE   |

DRAWING TITLE  
**JBX, SIZE 1, MALE INSULATOR, CRIMP CONTACT**

CAT NO. **JBX11NSMC**

CAGE NO: 09922      SIZE: B

|   |                        |                    |                     |
|---|------------------------|--------------------|---------------------|
| <b>CUSTOMER</b>   | <b>SOURIAU</b>         | APPROVAL           | DRAWN: SKV 02-02-15 |
|   |                        | CHKD : EV 02-02-15 |                     |
| INTERPRET THIS DRAWING IN ACCORDANCE WITH ASME Y14.5M - 1994. | <b>WWW.SOURIAU.COM</b> | DSGN : EV 02-02-15 |                     |
|   |                        | MFG : DH 02-02-15  |                     |
|   |                        | QC : BB 02-02-15   |                     |
|   |                        | DRAWING SCALE: NA  |                     |
|   |                        | DRAWING NO. REV    |                     |
|   |                        | JBX11NSMCC B       |                     |
|   |                        | 1 OF 2             |                     |

| ORIGIN | COUNTRY | JURISDICTION | CLASSIFICATION |
|--------|---------|--------------|----------------|
| X      | FR      | Not listed   | N/A            |
|        | US      | EAR          | ECCN =EAR99    |

These commodities, technology or software are exported from the United States in accordance with the Export Administration Regulations. Diversion contrary to U.S. law is prohibited

LINEAR MEASURE:  $\frac{mm}{INCH}$  mm (INCH)  
 THIRD ANGLE PROJECTION  
  
 TOLERANCES UNLESS OTHERWISE SPECIFIED  
 No. OF PLACES      mm [INCH]  
 ONE PLACE          ±3 [±.1]  
 TWO PLACES        ±0.5 [±.02]  
 THREE PLACES     ±0.25 [±.010]  
 ANGLES ±1°

THIS DRAWING IS A CONTROLLED DOCUMENT FOR SOURIAU USA, INC. IT IS SUBJECT TO CHANGE WITHOUT NOTIFICATION. CONTACT THE DOCUMENT CONTROL CENTER FOR THE LATEST REVISION.

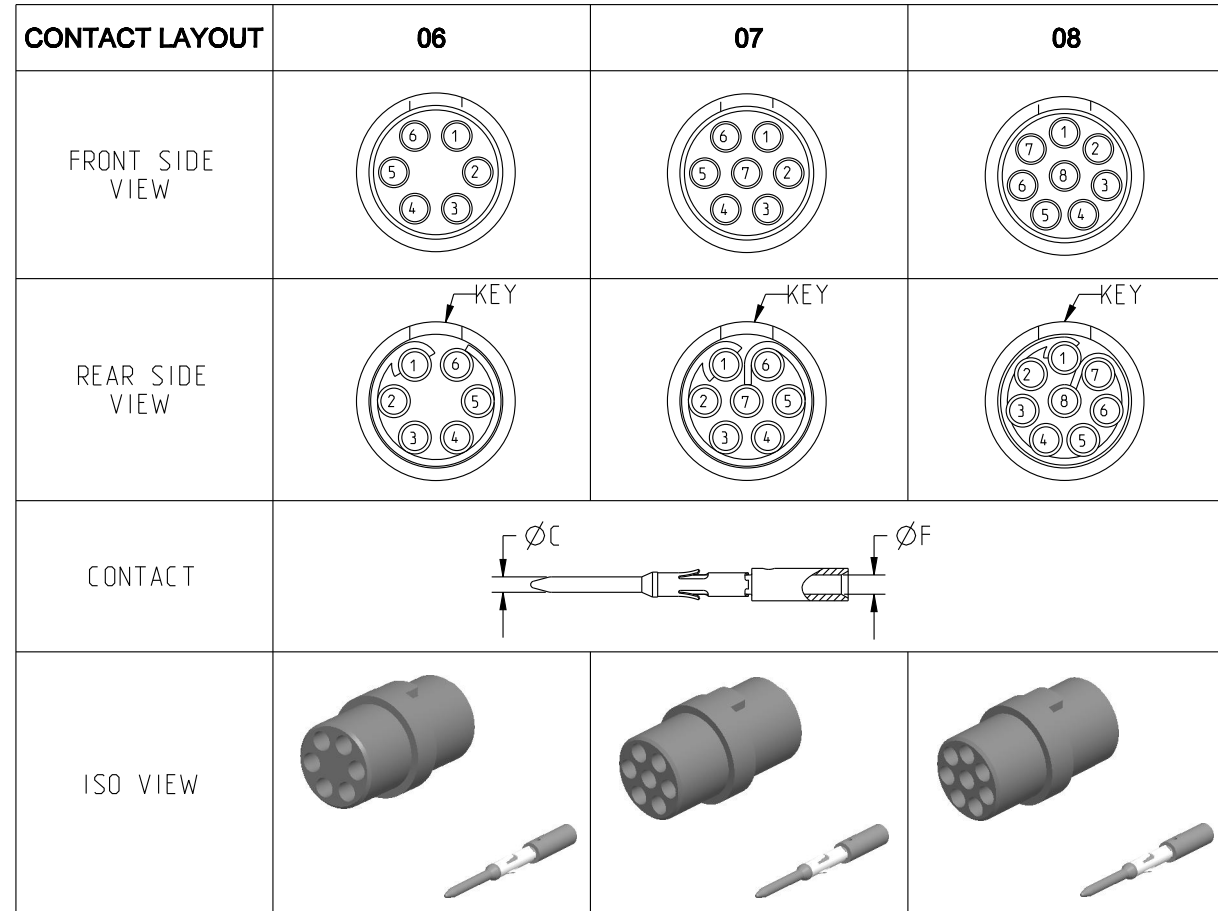
THE INFORMATION CONTAINED IN THIS DRAWING IS CONFIDENTIAL AND MAY NOT BE DISCLOSED WITHOUT WRITTEN CONSENT FROM SOURIAU USA, INC.

B

A

DWG. NO.  
JBX11NSMCC

THIS DRAWING IS A CONTROLLED DOCUMENT FOR SOURIAU USA, INC. IT IS SUBJECT TO CHANGE WITHOUT NOTIFICATION. CONTACT THE DOCUMENT CONTROL CENTER FOR THE LATEST REVISION.



| CONTACT   | ØC                         | 0.7     | 0.7     | 0.7     |
|-----------|----------------------------|---------|---------|---------|
|           | ØF                         | 0.85    | 0.85    | 0.85    |
|           | MAX. AWG                   | 22      | 22      | 22      |
|           | MAX. CURRENT RATING (A)    | 7       | 7       | 7       |
| INSULATOR | CONTACT RESISTANCE (mΩ)    | 5       | 5       | 5       |
|           | NUMBER OF CAVITY           | 6       | 7       | 8       |
|           | MAX. CURRENT RATING        | 7       | 7       | 5       |
|           | TEST VOLTAGE (Vrms)        | 1400    | 1400    | 1200    |
|           | WORKING VOLTAGE (Vdc/Vrms) | 660/460 | 660/460 | 600/420 |

THE INFORMATION CONTAINED IN THIS DRAWING IS CONFIDENTIAL AND MAY NOT BE DISCLOSED WITHOUT WRITTEN CONSENT FROM SOURIAU USA, INC.

B

A

|                                       |               |                   |           |
|---------------------------------------|---------------|-------------------|-----------|
| LINEAR MEASURE:                       |               | $\frac{mm}{INCH}$ | mm (INCH) |
| THIRD ANGLE PROJECTION                |               |                   |           |
|                                       |               |                   |           |
| TOLERANCES UNLESS OTHERWISE SPECIFIED |               |                   |           |
| No. OF PLACES                         | mm [INCH]     |                   |           |
| ONE PLACE                             | ±3 [±.1]      |                   |           |
| TWO PLACES                            | ±0.5 [±.02]   |                   |           |
| THREE PLACES                          | ±0.25 [±.010] |                   |           |
| ANGLES ±1°                            |               |                   |           |

| ORIGIN | COUNTRY | JURISDICTION | CLASSIFICATION |
|--------|---------|--------------|----------------|
| X      | FR      | Not listed   | N/A            |
|        | US      | EAR          | ECCN =EAR99    |

These commodities, technology or software are exported from the United States in accordance with the Export Administration Regulations. Diversion contrary to U.S. law is prohibited

|   |            |                        |  |
|---|------------|------------------------|--|
| DRAWING TITLE   |            |                        |  |
| <b>JBX, SIZE 1, MALE INSULATOR, CRIMP CONTACT</b>             |            |                        |  |
| CAT NO. <b>JBX11NSMC</b>                                      |            |                        |  |
| CAGE NO: 09922  |            | SIZE: B                |  |
| <b>CUSTOMER</b>   |            | <b>SOURIAU</b>         |  |
| INTERPRET THIS DRAWING IN ACCORDANCE WITH ASME Y14.5M - 1994. |            | <b>WWW.SOURIAU.COM</b> |  |
| APPROVAL  | DRAWN: SKV | 02-02-15               |  |
|   | CHKD : EV  | 02-02-15               |  |
|   | DSGN : EV  | 02-02-15               |  |
|   | MFG : DH   | 02-02-15               |  |
|   | QC : BB    | 02-02-15               |  |
| DRAWING SCALE: NA   |            |                        |  |
| DRAWING NO. JBX11NSMCC  |            | REV B                  |  |
| 2 OF 2  |            |                        |  |

# Mouser Electronics

Authorized Distributor

Click to View Pricing, Inventory, Delivery & Lifecycle Information:

Souriau:

[JBXER1G02MCSDSR](#)



Компания «ЭлектроПласт» предлагает заключение долгосрочных отношений при поставках импортных электронных компонентов на взаимовыгодных условиях!

Наши преимущества:

- Оперативные поставки широкого спектра электронных компонентов отечественного и импортного производства напрямую от производителей и с крупнейших мировых складов;
- Поставка более 17-ти миллионов наименований электронных компонентов;
- Поставка сложных, дефицитных, либо снятых с производства позиций;
- Оперативные сроки поставки под заказ (от 5 рабочих дней);
- Экспресс доставка в любую точку России;
- Техническая поддержка проекта, помощь в подборе аналогов, поставка прототипов;
- Система менеджмента качества сертифицирована по Международному стандарту ISO 9001;
- Лицензия ФСБ на осуществление работ с использованием сведений, составляющих государственную тайну;
- Поставка специализированных компонентов (Xilinx, Altera, Analog Devices, Intersil, Interpoint, Microsemi, Aeroflex, Peregrine, Syfer, Eurofarad, Texas Instrument, Miteq, Cobham, E2V, MA-COM, Hittite, Mini-Circuits, General Dynamics и др.);

Помимо этого, одним из направлений компании «ЭлектроПласт» является направление «Источники питания». Мы предлагаем Вам помощь Конструкторского отдела:

- Подбор оптимального решения, техническое обоснование при выборе компонента;
- Подбор аналогов;
- Консультации по применению компонента;
- Поставка образцов и прототипов;
- Техническая поддержка проекта;
- Защита от снятия компонента с производства.



#### Как с нами связаться

**Телефон:** 8 (812) 309 58 32 (многоканальный)

**Факс:** 8 (812) 320-02-42

**Электронная почта:** [org@eplast1.ru](mailto:org@eplast1.ru)

**Адрес:** 198099, г. Санкт-Петербург, ул. Калинина, дом 2, корпус 4, литера А.