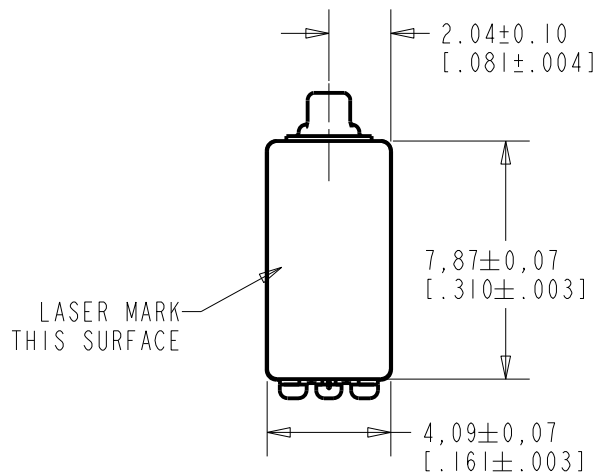


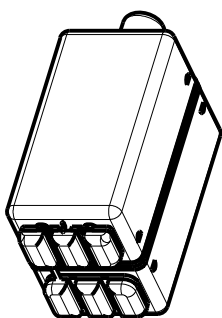
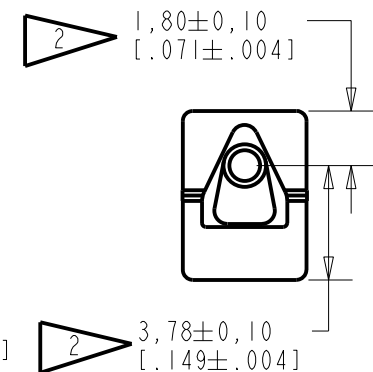
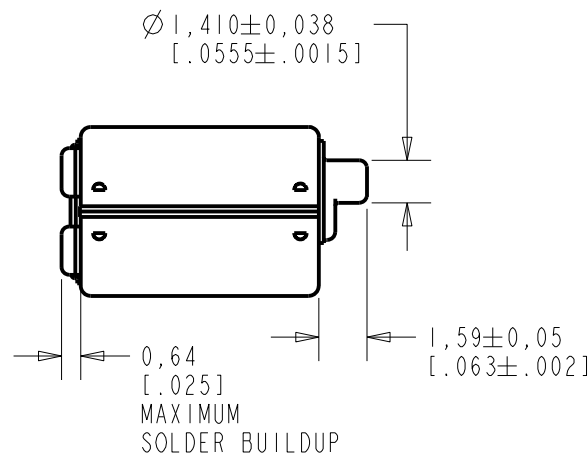
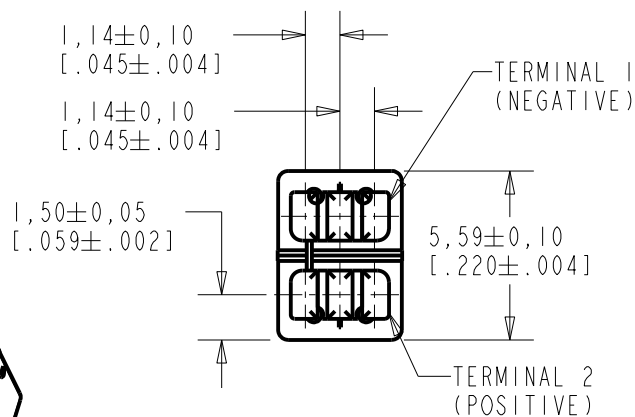
**DTEC-31116-000**  
SHT 1.1



NOTES:

1. A POSITIVE GOING VOLTAGE AT TERMINAL 2, RELATIVE TO TERMINAL 1, CAUSES A DECREASE IN PRESSURE AT THE SOUND OUTLET.

2. LOCATED FROM TWO SURFACES FOR CUSTOMER CONVENIENCE. ONLY APPLICABLE FROM ONE SURFACE, NOT TO BE USED TOGETHER. HORIZONTAL LOCATION FOR TERMINAL CENTERED TO ±0.17 [.007].



**RED CONTROLLED**

NOMINAL WEIGHT  
.71 GRAMS

DIMENSIONS IN MILLIMETERS [INCHES]

Revision	C.O. #	Implementation Date	RELEASE LEVEL	REVISION
A	C10111188	4-6-10	Active	A

SCALE: 4:1	DR. BY SDZ	DATE 4-6-10
DO NOT SCALE DRAWING	CK. BY GJP	DATE 4-6-10
TITLE: RECEIVER OUTLINE DRAWING	DTEC-31116-000 SHT 1.1	
	APP. BY GJP	DATE 4-6-10

**KNOWLES ELECTRONICS**  
ITASCA, ILLINOIS U.S.A.

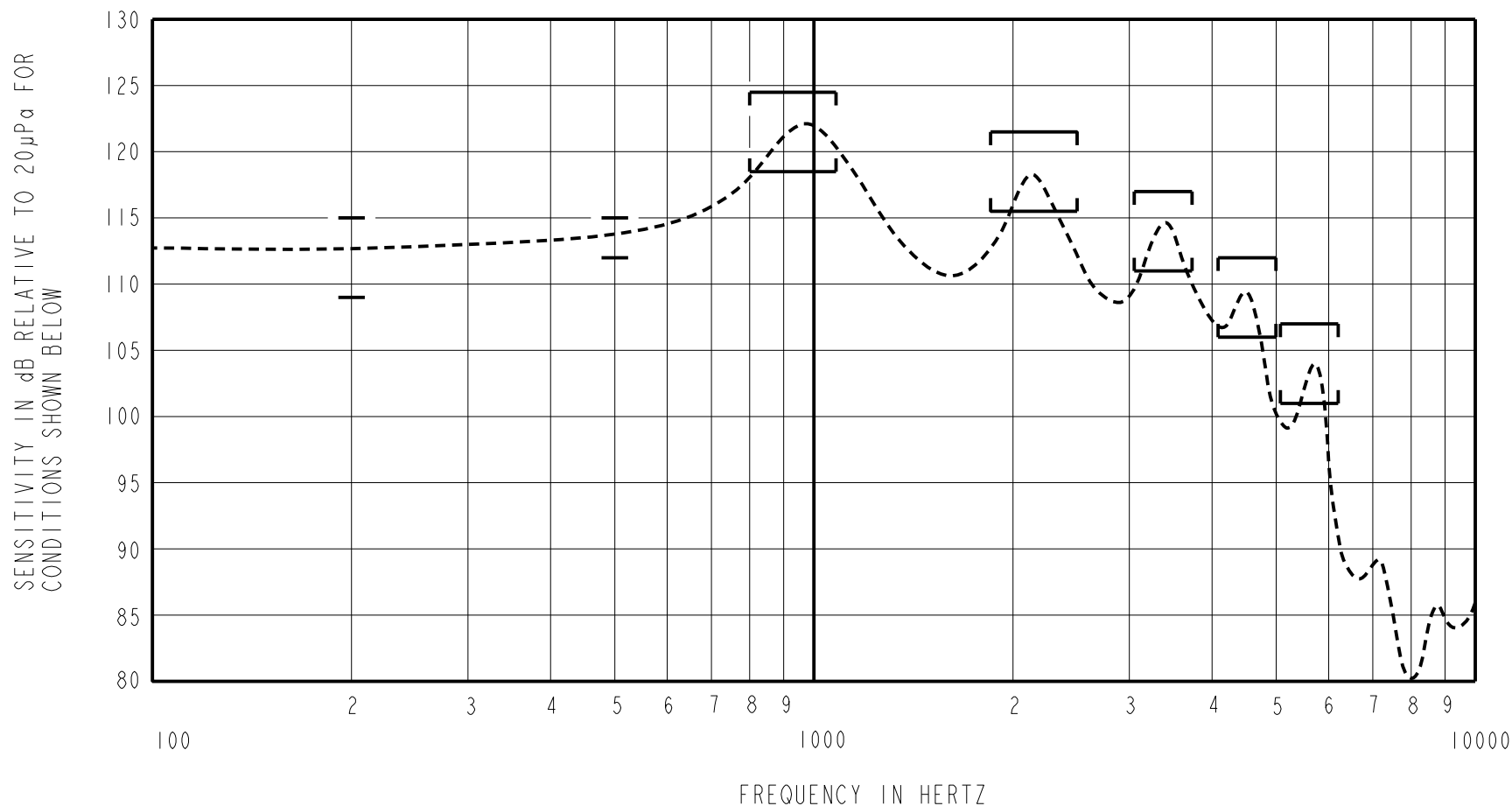
THE DTEC-31116-000 IS A PAIR OF BALANCED ARMATURE RECEIVERS INTENDED FOR USE IN BTE HEARING AIDS. IT HAS A LOW DCR TO IMPEDANCE RATIO, HAS THE CENTER TERMINAL CONNECTED TO CASE AND IS THE SAME SIZE AS AN EF RECEIVER

NO DAMPING

DTEC-31116-000  
SHEET 2.1

NOTE: SPECIFICATIONS FOLLOWED BY AN ASTERISK (\*) ARE 100% TESTED.

CONSTANT VOLTAGE DRIVE CONDITIONS



ACOUSTICAL

SENSITIVITY\*  
DEVICE WILL PRODUCE THE SPL LISTED BELOW UNDER TEST CONDITIONS DESCRIBED IN TABLE 3. NOMINAL SENSITIVITY AT 500 Hz IS dB RELATIVE TO 20µPa. ALL OTHER VALUES IN dB RELATIVE TO THE SENSITIVITY AT 500 Hz.

FREQUENCY (Hz)	MINIMUM	NOMINAL	MAXIMUM
200	-4.5	-1.5	+1.5
500	-1.5	113.5	+1.5
800-1080	+5.0	+8.0	+11.0
1850-2500	+2.0	+5.0	+8.0
3050-3730	-2.5	+0.5	+3.5
4085-4995	-7.5	-4.5	-1.5
5075-6205	-14.0	-11.0	-8.0

TABLE 1

TOTAL HARMONIC DISTORTION\*  
DEVICE WILL NOT EXCEED TOTAL HARMONIC DISTORTION LEVELS LISTED BELOW.

FREQUENCY (Hz)	AC DRIVE (V rms)	DC BIAS (mA)	LIMIT (%)
315	0.164	0	5
470	0.164	0	5
470	0.328	0	10

TABLE 2

TEST CONDITIONS

NOMINAL SOURCE VOLTAGE	0.164 V rms, TO DELIVER 0.70 mVA AT 500 Hz
SOURCE IMPEDANCE	<1 Ohm
TUBING	8mm X 1mm ID + 28mm X 1.5mm ID EAR HOOK SIMULATOR + 25mm X 2mm ID TUBE + 18mm X 3mm ID TUBE
COUPLER CAVITY	2 cm <sup>3</sup> , SIMULATED ANSI S3.7 TYPE HA-3 (IEC 60318-5)

TABLE 3

**RED CONTROLLED**

**KNOWLES ELECTRONICS**  
ITASCA, ILLINOIS U.S.A.

Revision	C.O. #	Implementation Date	RELEASE LEVEL	REVISION
A	C10111188	4-6-10	Active	A
WHEN TEST LIMITS ARE USED TO ESTABLISH INCOMING INSPECTION ACCEPTANCE/REJECTION CRITERIA, CORRELATION OF TEST EQUIPMENT WITH KNOWLES IS ALSO REQUIRED FOR ELIMINATION OF EQUIPMENT AND TEST METHOD VARIATION				DR. BY DATE
TITLE: <b>RECEIVER</b> PERFORMANCE SPECIFICATION				SDZ 4-6-10
				DR. BY DATE
DTEC-31116-000 SHT 2.1				GJP 4-6-10
				APP. BY DATE
				GJP 4-6-10


DTEC-31116-000

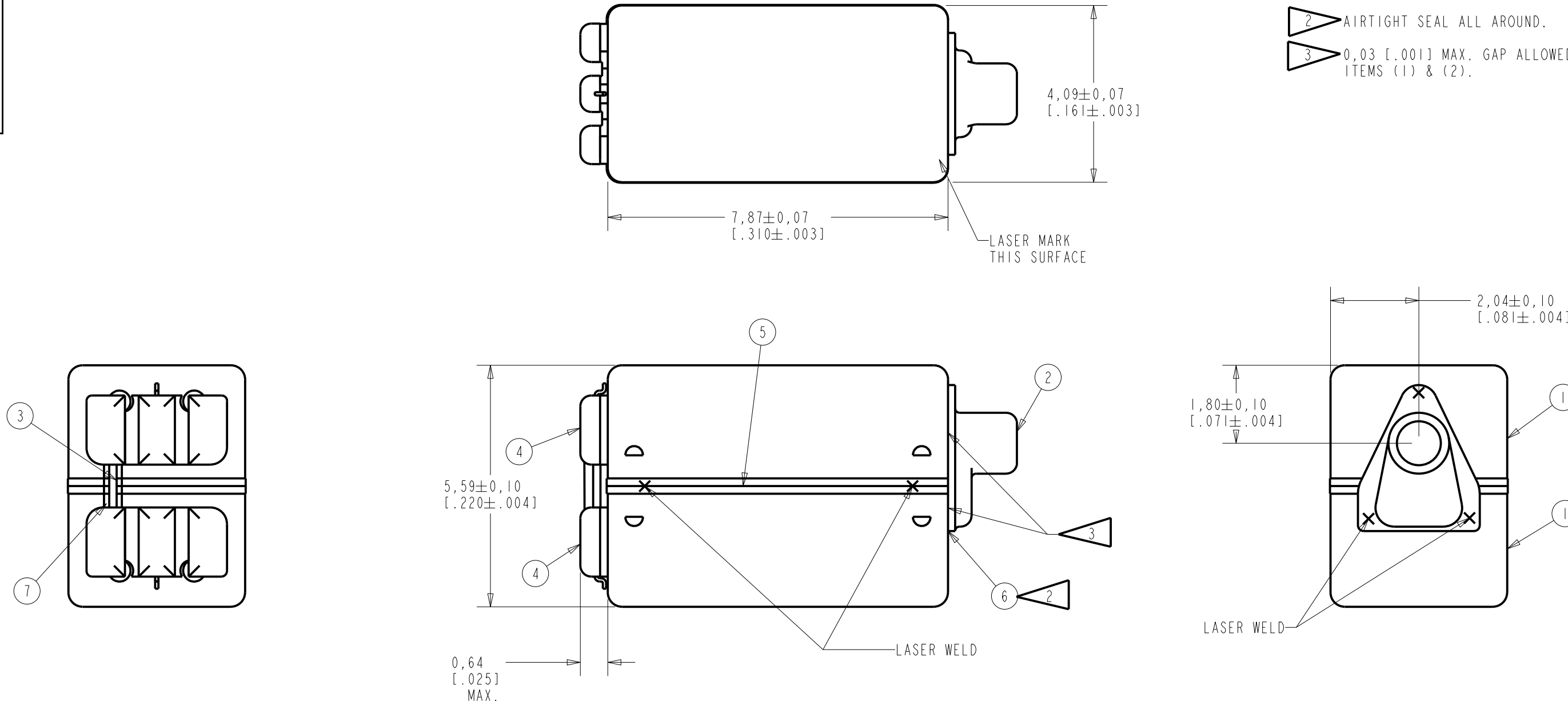
PROPRIETARY NOTE: THIS DOCUMENT CONTAINS INFORMATION WHICH IS THE PROPRIETARY PROPERTY OF KNOWLES ELECTRONICS, LLC. OR ITS AFFILIATED ENTITIES. IT IS ISSUED IN STRICT CONFIDENCE AND SHALL NOT BE REPRODUCED, COPIED, USED, OR DISCLOSED TO ANY THIRD PARTY PARTIALLY OR WHOLLY IN ANY MANNER WITHOUT PRIOR WRITTEN PERMISSION OF, AND MUST BE RETURNED UPON REQUEST BY, KNOWLES ELECTRONICS, LLC.

NOTES:

1. ITEM NUMBERS (SHOWN THUS ) CORRESPOND TO ITEM NUMBER ON BILL OF MATERIAL.

 2 AIRTIGHT SEAL ALL AROUND.

 3 0,03 [.001] MAX. GAP ALLOWED BETWEEN ITEMS (1) & (2).



DIMENSIONS IN MILLIMETERS [INCHES]

MATERIAL SEE BILL OF MATERIAL		FINISH - - -	SCALE: 10:1	DO NOT SCALE DRAWING
REF. NONE	A C1011188	UNLESS OTHERWISE SPECIFIED, DIMENSIONS ARE IN INCHES	<b>KNOWLES ELECTRONICS</b> ITASCA, ILLINOIS U.S.A.	
A				
<div style="border: 2px solid red; padding: 5px; display: inline-block;"><b>RED CONTROLLED</b></div>		THIRD ANGLE PROJECTION	TITLE	DR. BY DATE <b>SDZ 4-6-10</b> CH. BY DATE <b>GJP 4-6-10</b> APP. BY DATE <b>GJP 4-6-10</b>
			<b>RECEIVER DUAL</b>	DTEC-31116-000 SHEET 3.1

<b>DTEC-31116-000</b>	<b>KNOWLES ELECTRONICS</b> <b>ITASCA, ILLINOIS U.S.A.</b>	<b>DTEC-31116-000</b>
Sheet <b>4.1</b>		Sheet <b>4.1</b>
Dr. By <b>SDZ</b> Date <b>4-6-10</b>	<b>Subject: RECEIVER DUAL</b>	<b>Revision</b> <b>A</b>
Ch. <b>GJP</b> <b>4-6-10</b>		
App. <b>GJP</b> <b>4-6-10</b>		

COL. 1	2	3	4	Item No.	Line No.
Part or Dwg. no.	Tot. Req.	Nomenclature:	Applicable Specs or Remarks		
TEC-31118-000	2	RECEIVER ASSEMBLY		1	1
BI-013	1	TUBE		2	2
103-074	A/R	WIRE		3	3
285-007-001	A/R	SOLDER LEAD FREE		4	4
13-092-130101	A/R	CEMENT		5	5
13-092-130111E	A/R	CEMENT		6	6
13-092-130109	A/R	CEMENT		7	7

REVISION  
A c.o. C1011188

**RED CONTROLLED**

**DTEC-31116-000**  
Sheet **4.1**

PROPRIETARY NOTE: THIS DOCUMENT CONTAINS INFORMATION WHICH IS THE PROPRIETARY PROPERTY OF KNOWLES ELECTRONICS, LLC. OR ITS AFFILIATED ENTITIES. IT IS ISSUED IN STRICT CONFIDENCE AND SHALL NOT BE REPRODUCED, COPIED, USED, OR DISCLOSED TO ANY THIRD PARTY PARTIALLY OR WHOLLY IN ANY MANNER WITHOUT PRIOR WRITTEN PERMISSION OF, AND MUST BE RETURNED UPON REQUEST BY, KNOWLES ELECTRONICS, LLC.

REF: 0

PRODUCTION TEST INFORMATION

SOFTWARE REVISION PXI FCART	SOFTWARE 1.73 MIN.
HARDWARE REVISION PXI FCART	KE 1065C.008G MIN.

**RED CONTROLLED**

Revision	C.O. #	Implementation Date	RELEASE LEVEL	REVISION
A	C10111188	4-6-10	Active	A

WHEN TEST LIMITS ARE USED TO ESTABLISH INCOMING INSPECTION ACCEPTANCE/REJECTION CRITERIA, CORRELATION OF TEST EQUIPMENT WITH KNOWLES IS ALSO REQUIRED FOR ELIMINATION OF EQUIPMENT AND TEST METHOD VARIATION	DR. BY	DATE
	SDZ	4-6-10
	CK. BY	DATE
	GJP	4-6-10
TITLE:	RECEIVER	DTEC-31116-000
	PERFORMANCE SPECIFICATION	SHT 5.1
		APP. BY
		GJP
		DATE
		4-6-10

**KNOWLES ELECTRONICS**  
ITASCA, ILLINOIS U.S.A.



Компания «ЭлектроПласт» предлагает заключение долгосрочных отношений при поставках импортных электронных компонентов на взаимовыгодных условиях!

Наши преимущества:

- Оперативные поставки широкого спектра электронных компонентов отечественного и импортного производства напрямую от производителей и с крупнейших мировых складов;
- Поставка более 17-ти миллионов наименований электронных компонентов;
- Поставка сложных, дефицитных, либо снятых с производства позиций;
- Оперативные сроки поставки под заказ (от 5 рабочих дней);
- Экспресс доставка в любую точку России;
- Техническая поддержка проекта, помощь в подборе аналогов, поставка прототипов;
- Система менеджмента качества сертифицирована по Международному стандарту ISO 9001;
- Лицензия ФСБ на осуществление работ с использованием сведений, составляющих государственную тайну;
- Поставка специализированных компонентов (Xilinx, Altera, Analog Devices, Intersil, Interpoint, Microsemi, Aeroflex, Peregrine, Syfer, Eurofarad, Texas Instrument, Miteq, Cobham, E2V, MA-COM, Hittite, Mini-Circuits, General Dynamics и др.);

Помимо этого, одним из направлений компании «ЭлектроПласт» является направление «Источники питания». Мы предлагаем Вам помощь Конструкторского отдела:

- Подбор оптимального решения, техническое обоснование при выборе компонента;
- Подбор аналогов;
- Консультации по применению компонента;
- Поставка образцов и прототипов;
- Техническая поддержка проекта;
- Защита от снятия компонента с производства.



#### Как с нами связаться

**Телефон:** 8 (812) 309 58 32 (многоканальный)

**Факс:** 8 (812) 320-02-42

**Электронная почта:** [org@eplast1.ru](mailto:org@eplast1.ru)

**Адрес:** 198099, г. Санкт-Петербург, ул. Калинина, дом 2, корпус 4, литера А.