

MATERIALS		
COMPONENT NAME	BASE MATERIAL	FINISH
CASE	LCP, BLACK, UL94 V-0	
TERMINAL, WIRE LUG (GOLD)	BRASS	GOLD OVER NICKEL
TERMINAL, PC & RA (GOLD)	BRASS	GOLD OVER NICKEL IN CONTACT AREA, TIN OVER NICKEL IN SOLDER AREA
TERMINAL, VRA (GOLD)	BRASS	GOLD OVER NICKEL IN CONTACT AREA, TIN OVER NICKEL IN SOLDER AREA
TERMINAL, WIRE LUG (SILVER)	SILVER CLAD COPPER	SILVER OVER NICKEL
TERMINAL, PC (SILVER)	SILVER CLAD COPPER	SILVER OVER NICKEL
CONTACT (GOLD)	COPPER ALLOY OR BRASS	GOLD OVER NICKEL
CONTACT (SILVER)	SILVER CLAD COPPER OR COPPER	SILVER OVER NICKEL
FRAME	STEEL	TIN OVER COPPER
SPRING	MUSIC WIRE	
PLUNGER BUTTON	NYLON 6/6, BLACK, RED OR BLUE, UL94 HB (EXTENDED) OR UL94V-2 (FLUSH)	
SUPPORT BRACKET (RA*ES VERSIONS ONLY)	BRASS	TIN OVER COPPER
SUPPORT BRACKET VRA (B&C BUSHINGS ONLY)	STEEL	TIN OVER COPPER
BUSHING	BRASS	NICKLE OVER COPPER
MOUNTING NUT	BRASS	NICKEL
LOCKWASHER	STEEL	NICKEL
ES HOUSING	NYLON 6/6, NATURAL, UL94 V-2	
ES BOOT	VINYL PLASTISOL, BLACK	

PART NUMBER MATRIX									
MODEL	ACTUATOR	POLES	RATING	FUNCTION	PLATING	TERMINATIONS	PROCESS SEAL	BUTTON COLOR	04
TPC	BLANK=EXTENDED	1	1=GOLD .4VA	C=SPST MOMENTARY	G=GOLD	BLANK=WIRE LUG	ES=PROCESS SEALED	0=BLACK	
	F=FLUSH 1	2	3=SILVER 1 AMP2	F=SPDT MOMENTARY	BLANK=SILVER2	PC=PRINTED CIRCUIT		2=RED	
				M=DPST MOMENTARY		RA=RIGHT ANGLE 3		6=BLUE	
				R=DPDT MOMENTARY		VRA=VERTICAL RIGHT ANGLE 4			

NOTES:
 1. AVAILABLE WITH B & C BUSHINGS ONLY
 2. SILVER ONLY AVAILABLE IN WIRE LUG AND PC TERMINATIONS
 3. RAES AVAILABLE WITH B & C BUSHING ONLY
 4. VRA ONLY AVAILABLE IN SINGLE POLE

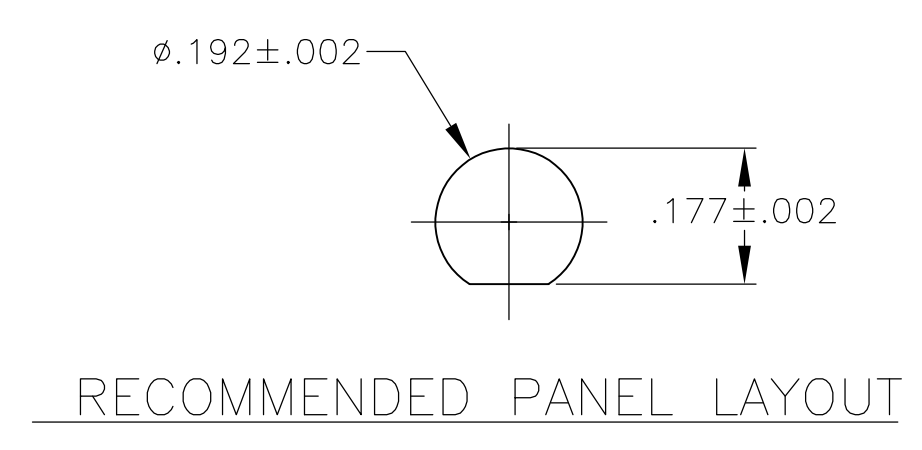
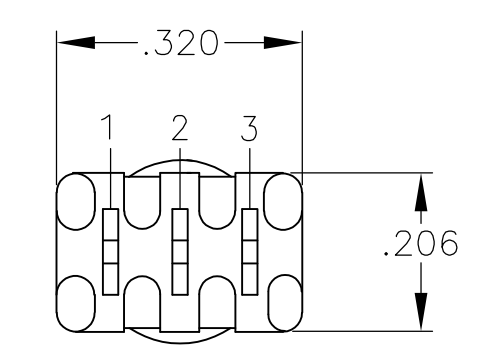
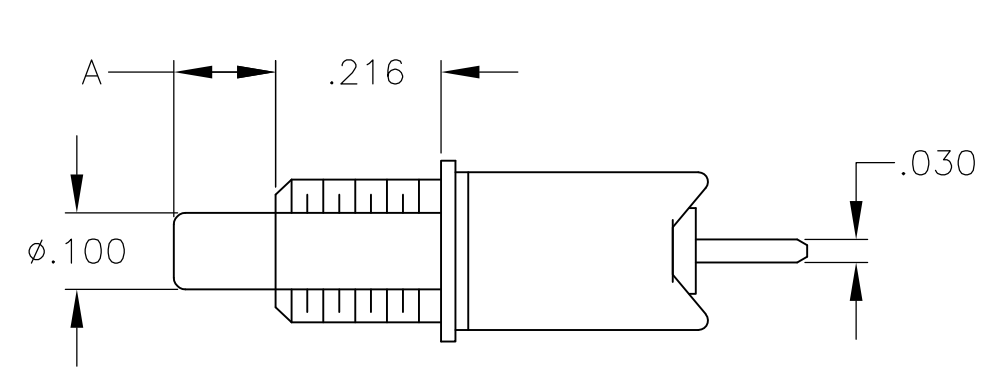
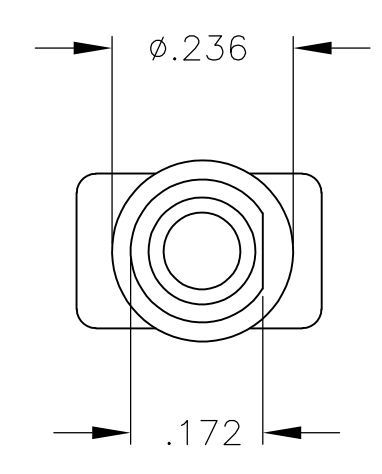
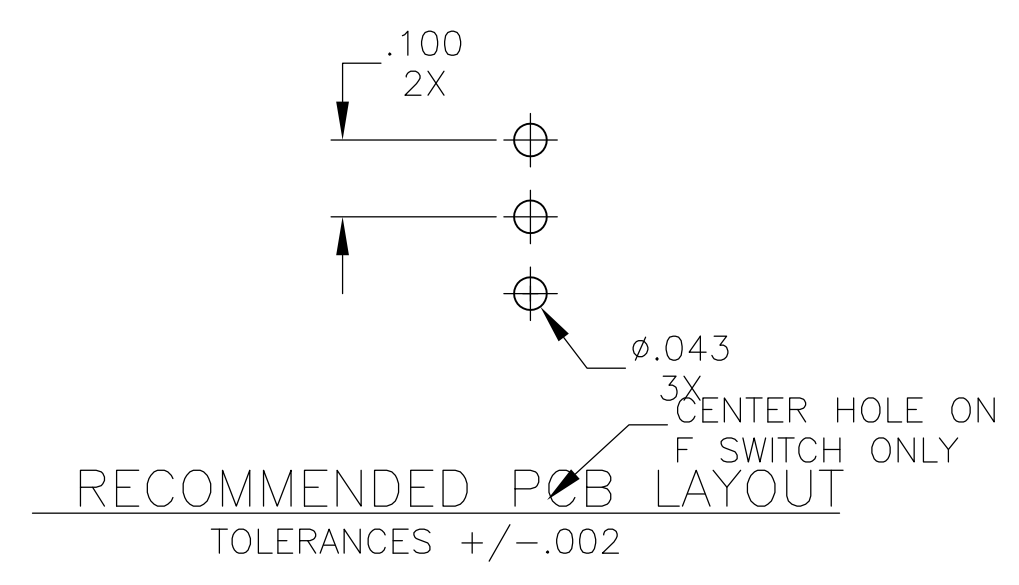
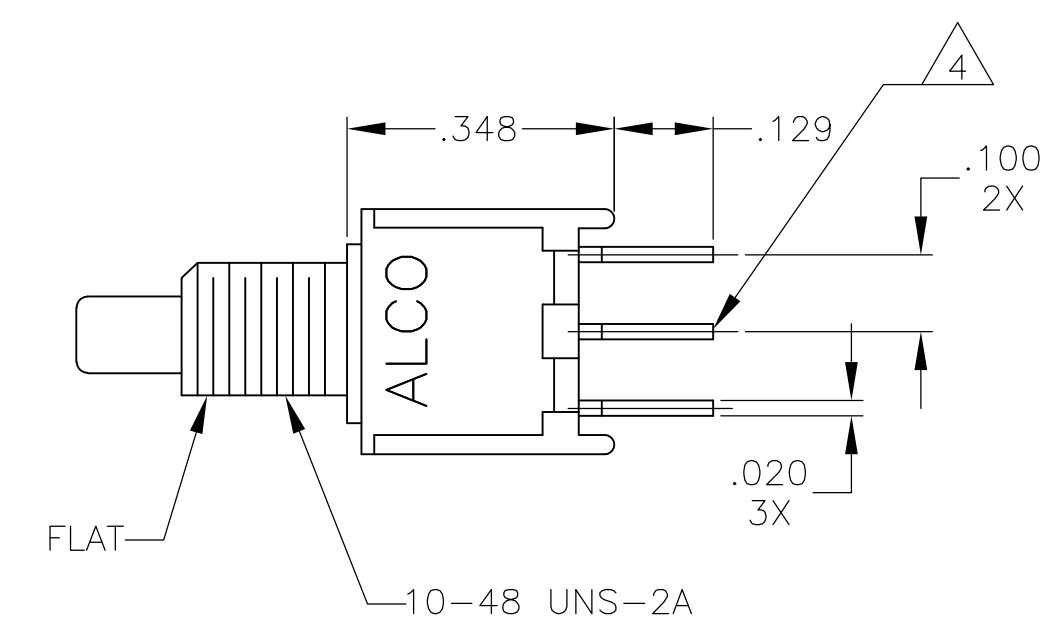
SPECIFICATIONS	
RATING	GOLD: .4VA MAX. @ 20VDC OR PEAK AS RESISTIVE SILVER: 1A @ 125VAC OR 28 VDC RESISTIVE
INITIAL TERMINATION RESISTANCE	20 MILLIOHMS MAX.
INSULATION RESISTANCE	1,000 MEGOHMS MIN @ 500 VDC
DIELECTRIC STRENGTH	1,000 VOLTS RMS AT SEA LEVEL
TIMING	BREAK BEFORE MAKE
PLUNGER TRAVEL	.030
ACTUATION FORCE	50 TO 400 GRAMS
LIFE EXPECTANCY	.4 VA, 1 POLE: 100,000 .4 VA, 2 POLES: 80,000 1 A, 1 POLE: 60,000 1 A, 2 POLES: 50,000
OPERATING TEMPERATURE	-30°C TO +65°C
STORAGE TEMPERATURE	-30°C TO +65°C
TERMINAL SEAL	SINGLE POLE: EPOXY DOUBLE POLE: EPOXY OPTIONAL

- NOTES:
- TERMINAL NUMBERS ARE FOR REFERENCE ONLY AND DO NOT APPEAR ON SWITCHES
 - ALL MATERIALS AND FINISHES COMPLY WITH EU DIRECTIVE 2002/95/EC OF 27JAN2003 (ROHS)
 - DISPOSABLE BOOT SUPPLIED WITH ES VERSIONS. BOOT TO BE PLACED OVER BUSHING BEFORE SOLDER WASHING
- 4 CENTER TERMINAL PRESENT ON DOUBLE THROW SWITCHES ONLY.

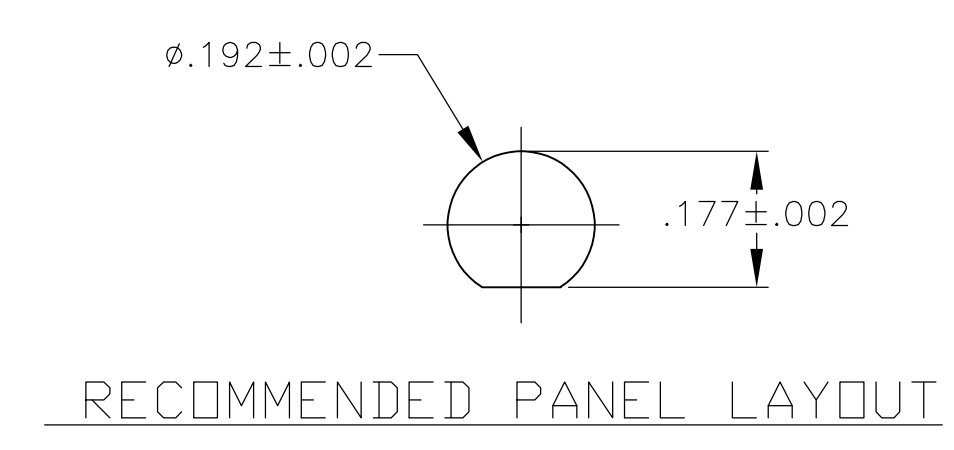
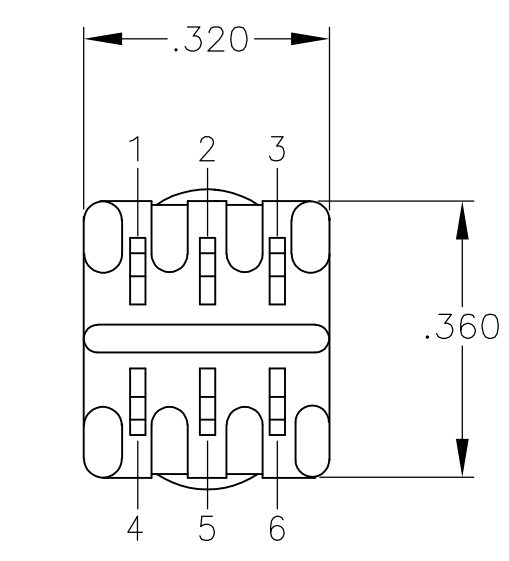
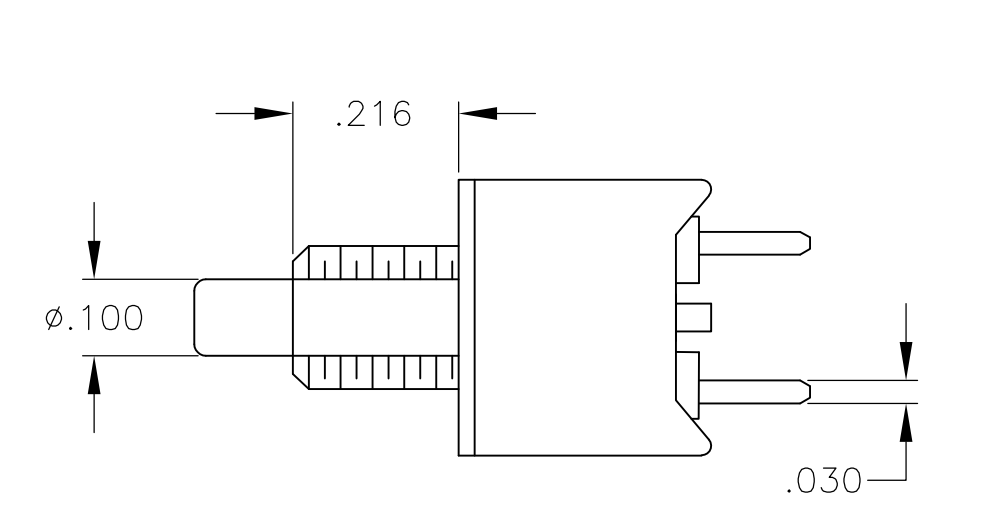
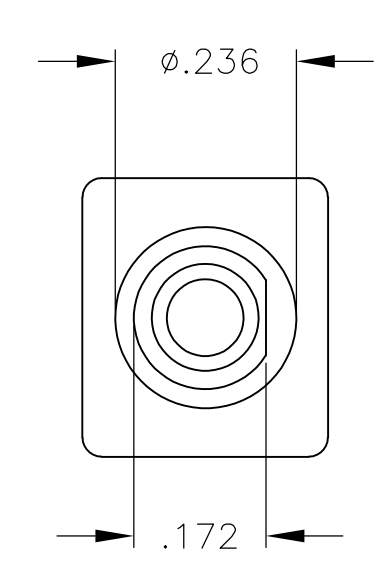
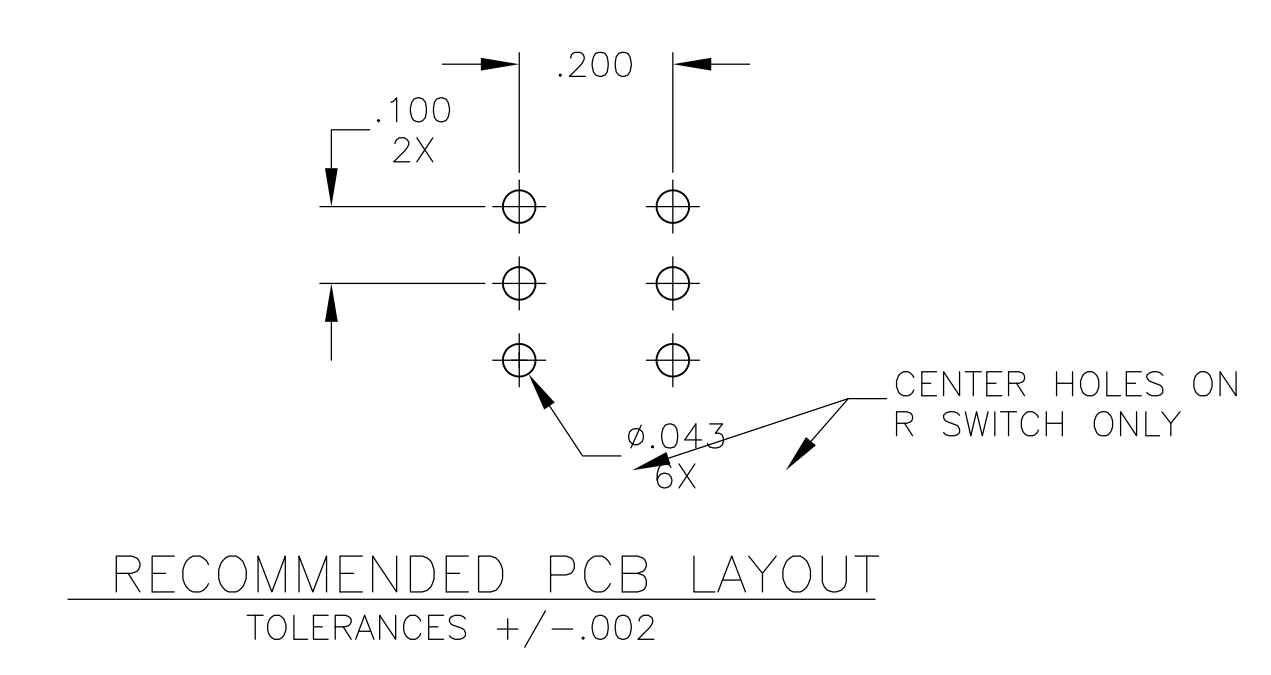
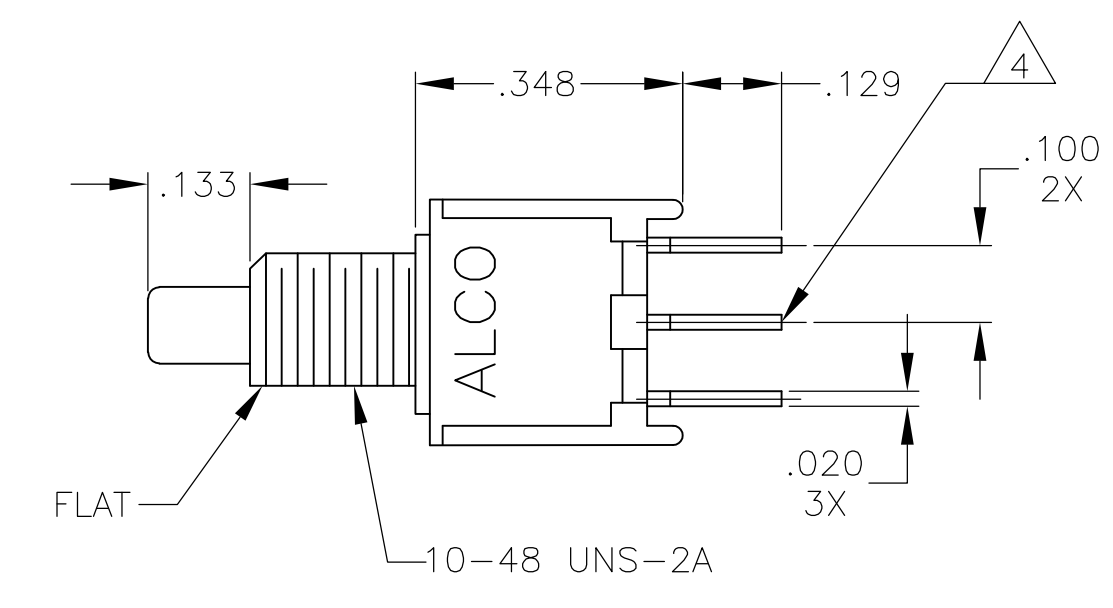
P/N	ALCO P/N	FLUSH ACTUATOR	POLES	THROWS	PLATING	TERMINALS	PROCESS SEALED	BUTTON COLOR	FUNCTION				CONNECTED TERMINALS		DIM A
									OFF	MOM	ON	MOM	1-3	4-6	
1825098-1	TPC11CGPC004	NO	1	1	GOLD	PC	NO	BLACK	OFF	MOM	OFF	MOM	1-3		.133
1825098-2	TPC11CGRA004	NO	1	1	GOLD	RIGHT ANGLE	NO	BLACK	OFF	MOM	OFF	MOM	1-3		.133
1825098-3	TPC11CGRA204	NO	1	1	GOLD	RIGHT ANGLE	NO	RED	OFF	MOM	OFF	MOM	1-3		.133
1825098-4	TPC11CGVRA004	NO	1	1	GOLD	VRA	NO	BLACK	OFF	MOM	OFF	MOM	1-3		N/A
1825098-5	TPC11FGPC004	NO	1	2	GOLD	PC	NO	BLACK	ON	MOM	1-2	2-3			.133
1825098-6	TPC11FGRA004	NO	1	2	GOLD	RIGHT ANGLE	NO	BLACK	ON	MOM	1-2	2-3			.133
1825098-7	TPC11FGVRA004	NO	1	2	GOLD	VRA	NO	BLACK	ON	MOM	1-2	2-3			N/A
1825098-8	TPC11FGVRA204	NO	1	2	GOLD	VRA	NO	RED	ON	MOM	1-2	2-3			N/A
1825098-9	TPC13C004	NO	1	1	SILVER	WIRE LUG	NO	BLACK	OFF	MOM	OFF	MOM	1-3		.133
1-1825098-0	TPC13C204	NO	1	1	SILVER	WIRE LUG	NO	RED	OFF	MOM	OFF	MOM	1-3		.133
1-1825098-1	TPC13CPC004	NO	1	1	SILVER	PC	NO	BLACK	OFF	MOM	OFF	MOM	1-3		.133
1-1825098-2	TPC13F004	NO	1	2	SILVER	WIRE LUG	NO	BLACK	ON	MOM	1-2	2-3			.133
1-1825098-3	TPC21MGRA204	NO	2	1	GOLD	RIGHT ANGLE	NO	RED	OFF	MOM	OFF	MOM	1-3, 4-6		N/A
1-1825098-4	TPC21RGPC004	NO	2	2	GOLD	PC	NO	BLACK	ON	MOM	1-2, 4-5	2-3, 5-6			N/A
1-1825098-5	TPC23M004	NO	2	1	SILVER	WIRE LUG	NO	BLACK	OFF	MOM	OFF	MOM	1-3, 4-6		N/A
1-1825098-6	TPC23R204	NO	2	2	SILVER	WIRE LUG	NO	RED	ON	MOM	1-2, 4-5	2-3, 5-6			N/A
1-1825098-7	TPCF11CGPC004	YES	1	1	GOLD	PC	NO	BLACK	OFF	MOM	OFF	MOM	1-3		.000
1-1825098-8	TPCF11CGRA004	YES	1	1	GOLD	RIGHT ANGLE	NO	BLACK	OFF	MOM	OFF	MOM	1-3		.000
1-1825098-9	TPCF11FGRA004	YES	1	2	GOLD	RIGHT ANGLE	NO	BLACK	ON	MOM	1-2	2-3			.000
2-1825098-0	TPCF13C004	YES	1	1	SILVER	WIRE LUG	NO	BLACK	OFF	MOM	OFF	MOM	1-3		.000
2-1825098-1	TPCF13C004	YES	1	2	SILVER	WIRE LUG	NO	BLACK	ON	MOM	1-2	2-3			.000

THIS DRAWING IS A CONTROLLED DOCUMENT. DIMENSIONS: INCHES. TOLERANCES UNLESS OTHERWISE SPECIFIED: 0 PLC ± .010, 1 PLC ± .010, 2 PLC ± .010, 3 PLC ± .010, 4 PLC ± .010. MATERIAL: -. FINISH: -. WEIGHT: -. CUSTOMER DRAWING: A1. SCALE: 4:1. SHEET: 1 OF 5. REV: A1.

12-5-05 RAGHU
 TE Connectivity
 PUSHBUTTON SWITCH, TPC SERIES
 SIZE: A1. CAGE CODE: 00779. DRAWING NO: 1825098. RESTRICTED TO: -. WEIGHT: -. CUSTOMER DRAWING: A1. SCALE: 4:1. SHEET: 1 OF 5. REV: A1.

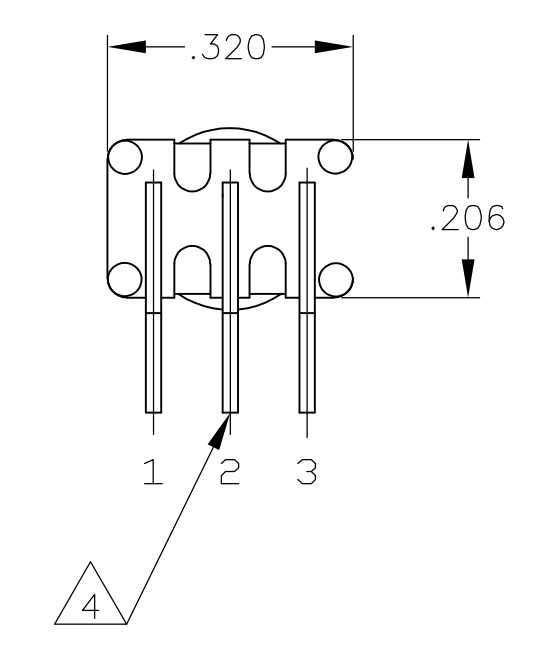
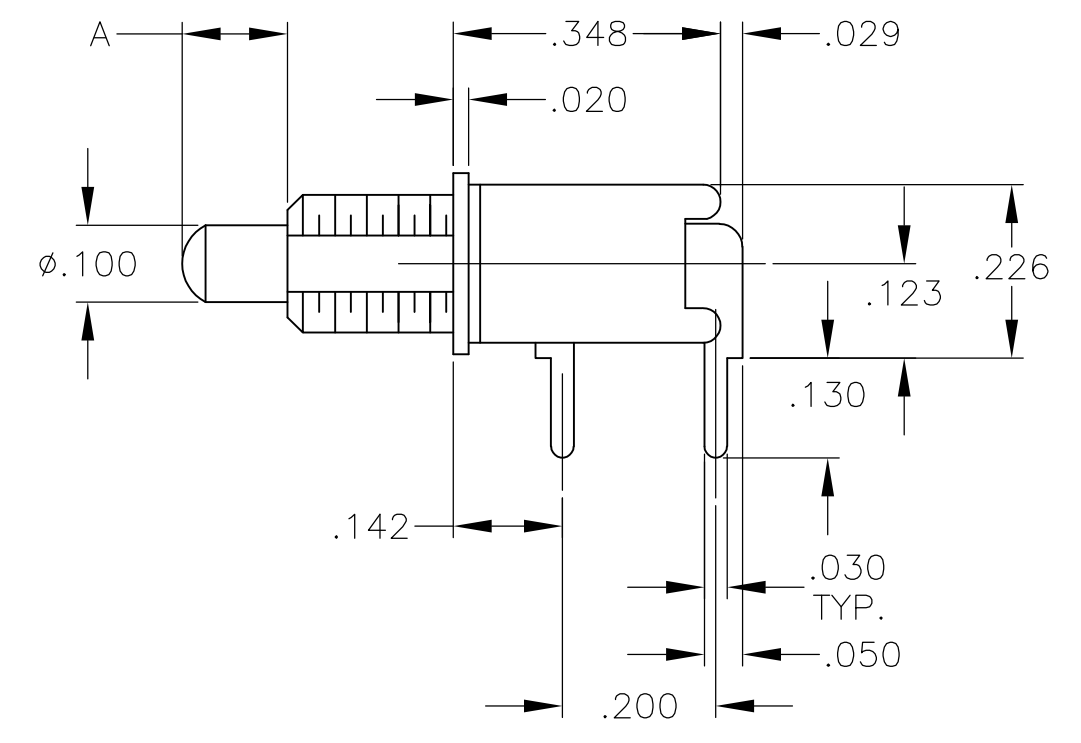
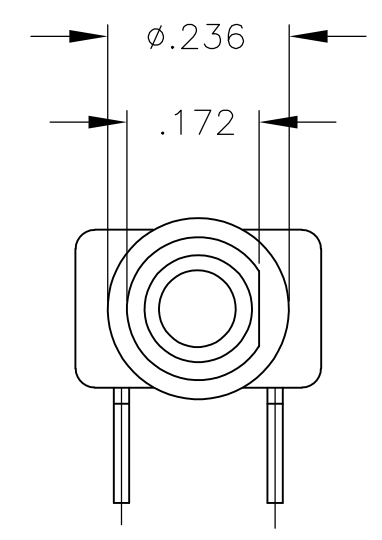
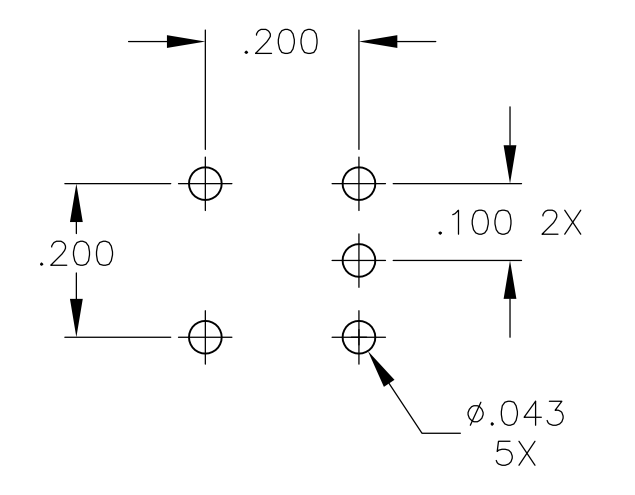
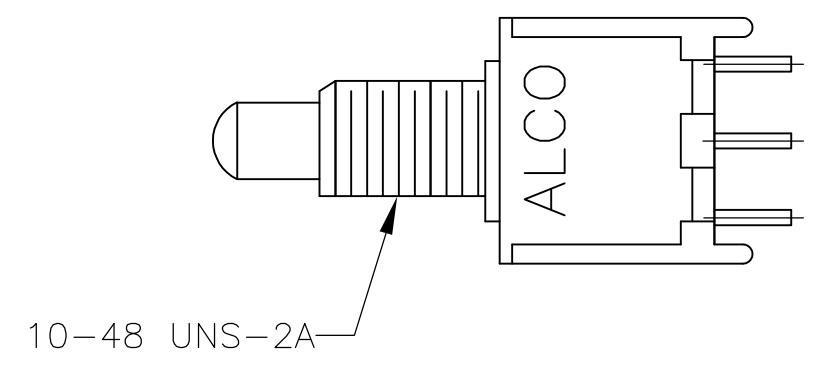


TPC11CGPC, TPC11FGPC
TPCF11CGPC, TPC13CPC

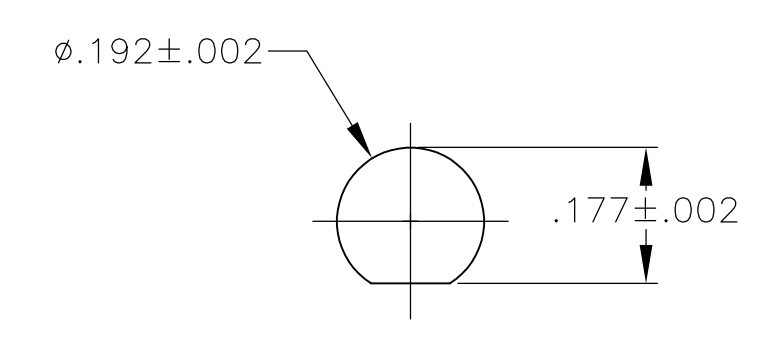


TPC21RGPC

THIS DRAWING IS A CONTROLLED DOCUMENT.		DIN 12-5-05	RAGHU																			
DIMENSIONS: INCHES		TOLERANCES UNLESS OTHERWISE SPECIFIED:	CHK	---																		
<table border="1"> <tr><td>0. PLC</td><td>±</td><td>---</td></tr> <tr><td>1. PLC</td><td>±</td><td>---</td></tr> <tr><td>2. PLC</td><td>±</td><td>---</td></tr> <tr><td>3. PLC</td><td>±</td><td>.010</td></tr> <tr><td>4. PLC</td><td>±</td><td>---</td></tr> <tr><td>ANGLES</td><td>±</td><td>± 3°</td></tr> </table>		0. PLC	±	---	1. PLC	±	---	2. PLC	±	---	3. PLC	±	.010	4. PLC	±	---	ANGLES	±	± 3°	APVD	---	NAME
0. PLC	±	---																				
1. PLC	±	---																				
2. PLC	±	---																				
3. PLC	±	.010																				
4. PLC	±	---																				
ANGLES	±	± 3°																				
MATERIAL		FINISH	---	PRODUCT SPEC																		
---		---	---	APPLICATION SPEC																		
---		---	---	SIZE																		
---		---	---	CAGE CODE																		
---		---	---	DRAWING NO																		
---		---	---	RESTRICTED TO																		
---		---	---	WEIGHT																		
---		---	---	A1 00779 C=1825098																		
CUSTOMER DRAWING		SCALE	4:1	SHEET 2 OF 5																		
		REV	A1																			

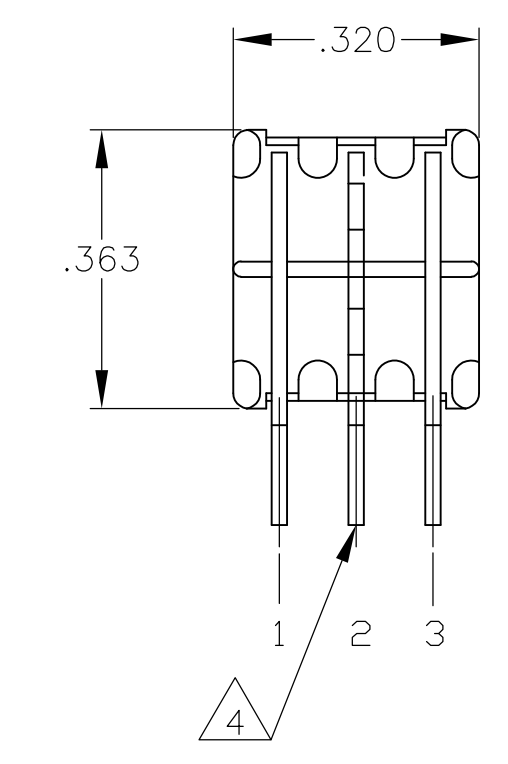
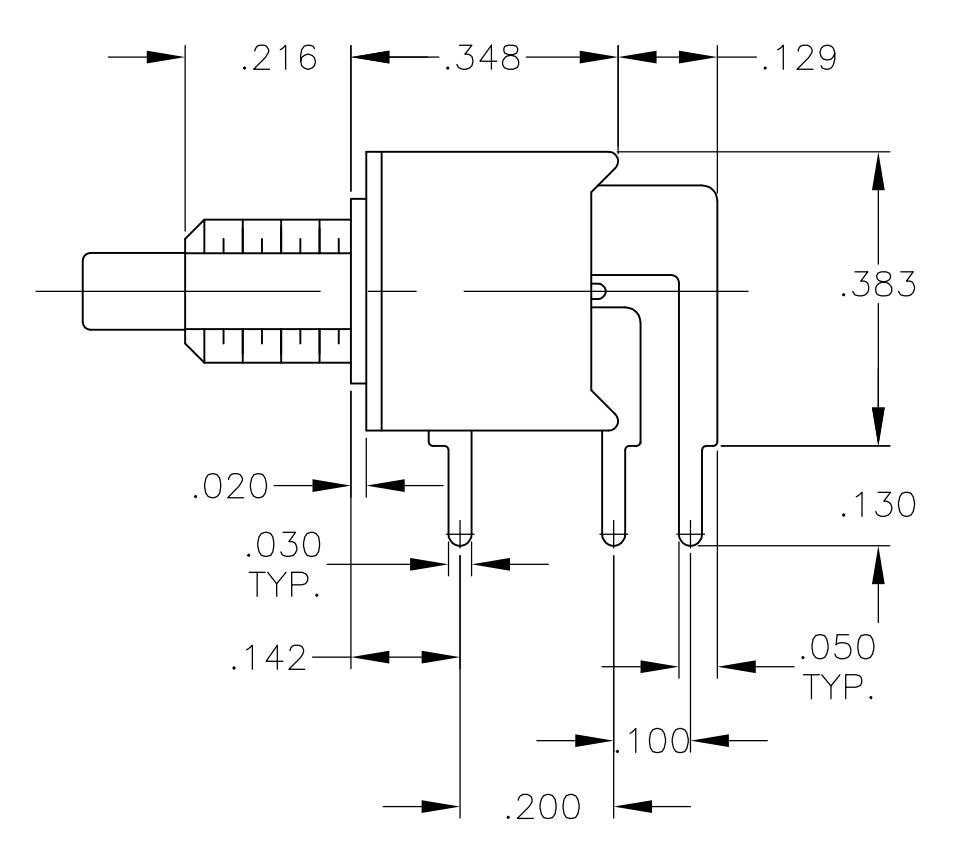
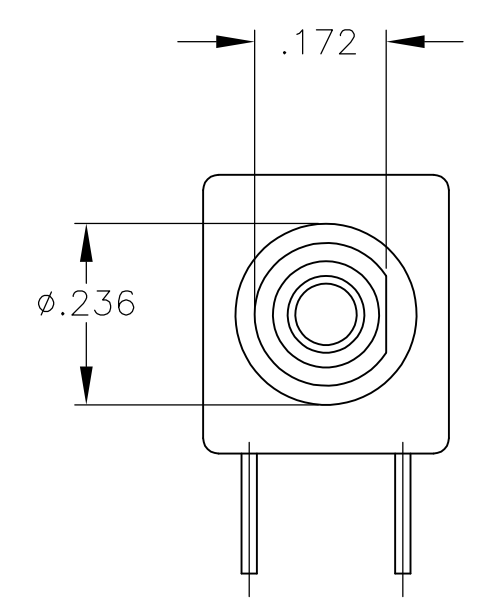
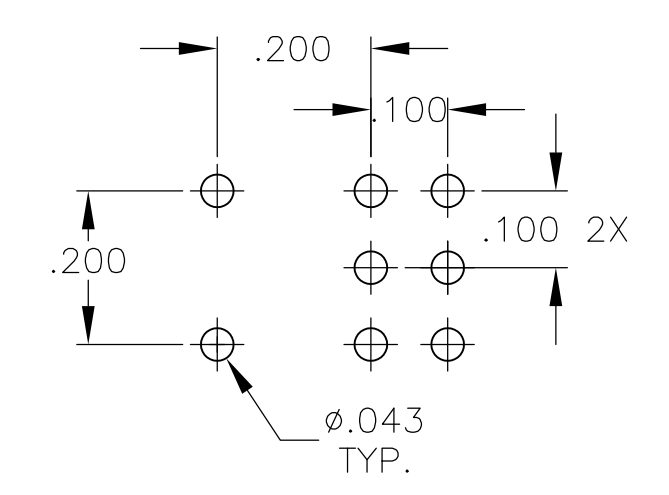
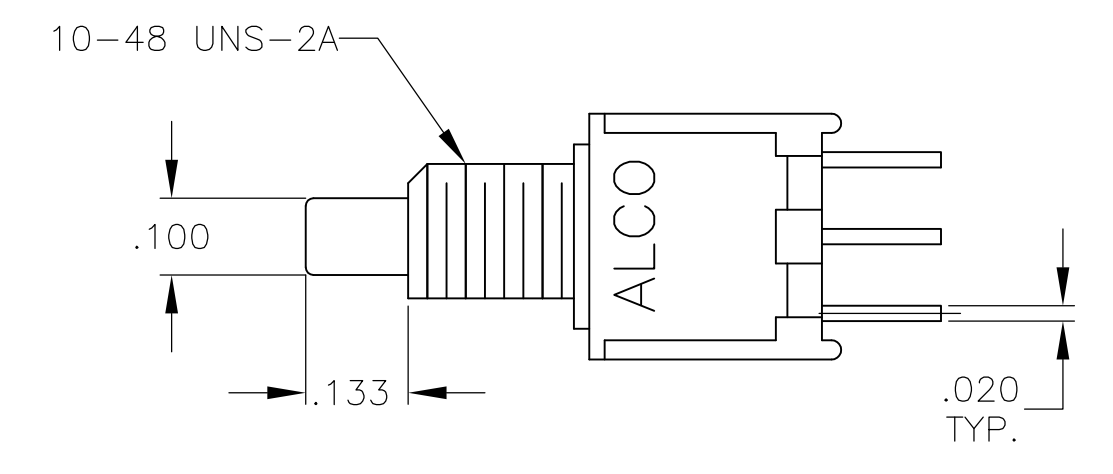


RECOMMENDED PCB LAYOUT
TOLERANCES +/- .002

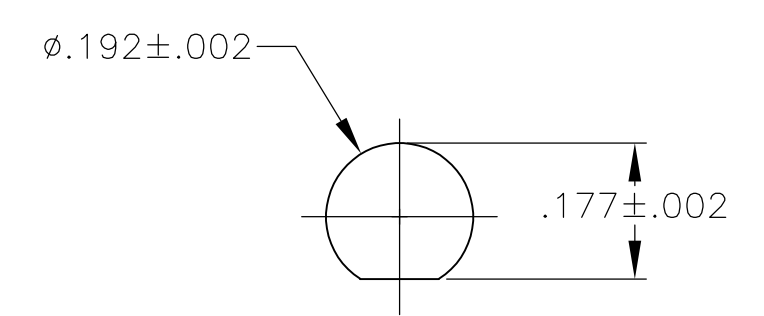


RECOMMENDED PANEL LAYOUT

TPC11CGRA, TPC11FGRA
TPCF11CGRA, TPCF11FGRA



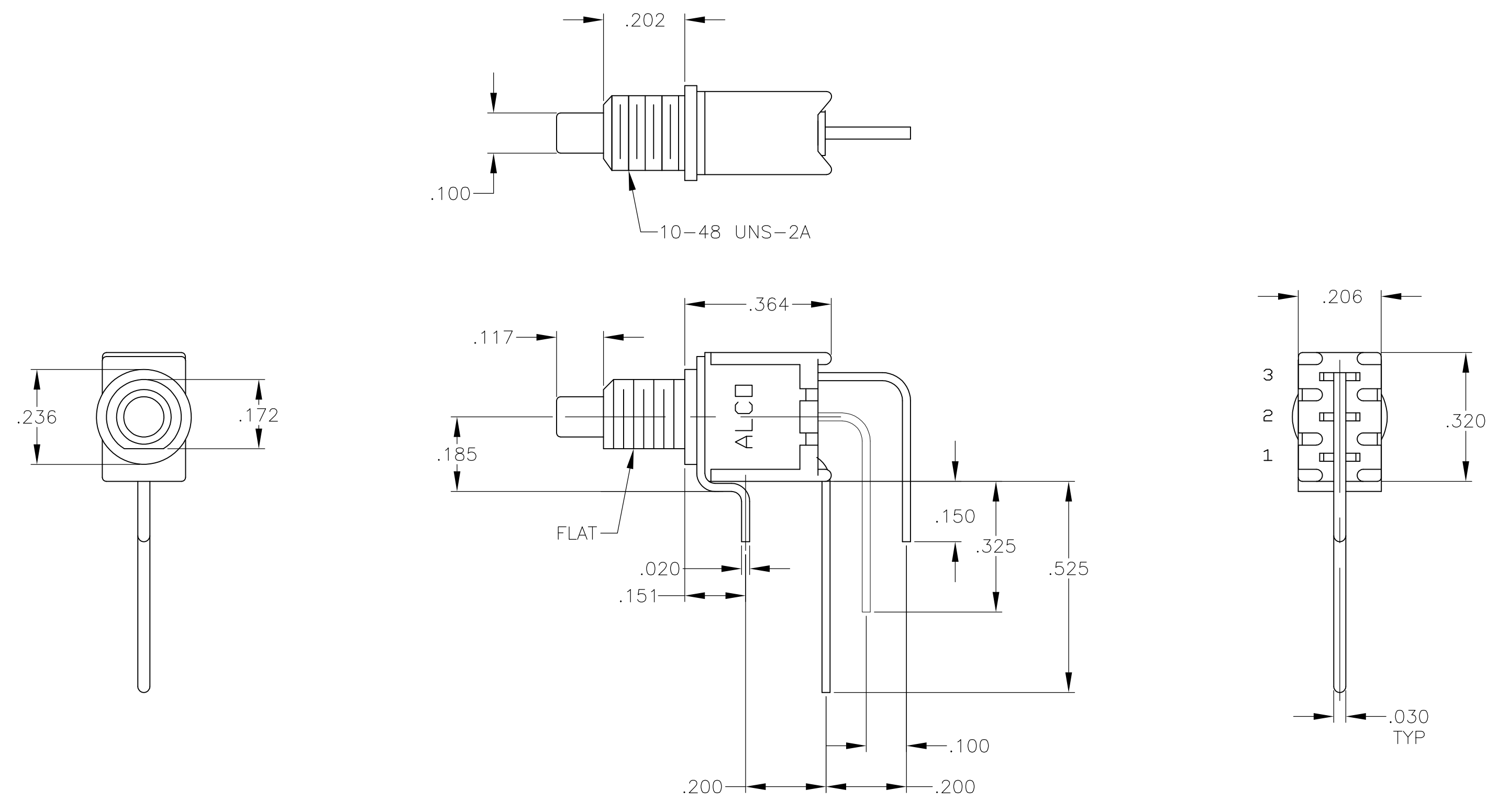
RECOMMENDED PCB LAYOUT
TOLERANCES +/- .002



RECOMMENDED PANEL LAYOUT

TPC21MGRA

THIS DRAWING IS A CONTROLLED DOCUMENT.		DIN	12-5-05	STE TE Connectivity	
DIMENSIONS: INCHES		CHK	RAGHU	NAME	
TOLERANCES UNLESS OTHERWISE SPECIFIED:		APVD		PRODUCT SPEC	
0. PLC	± .010	APPLICATION SPEC		RESTRICTED TO	
1. PLC	± .010	SIZE		CAGE CODE	
2. PLC	± .010	DRAWING NO		DRAWING NO	
3. PLC	± .010	WEIGHT		DRAWING NO	
4. PLC	± .010	MATERIAL		DRAWING NO	
ANGLES	± .5°	FINISH		DRAWING NO	
MATERIAL		CUSTOMER DRAWING		SCALE	4:1
FINISH		SHEET		3	OF 5
REV		REV		REV	
A1		00779		1825098	



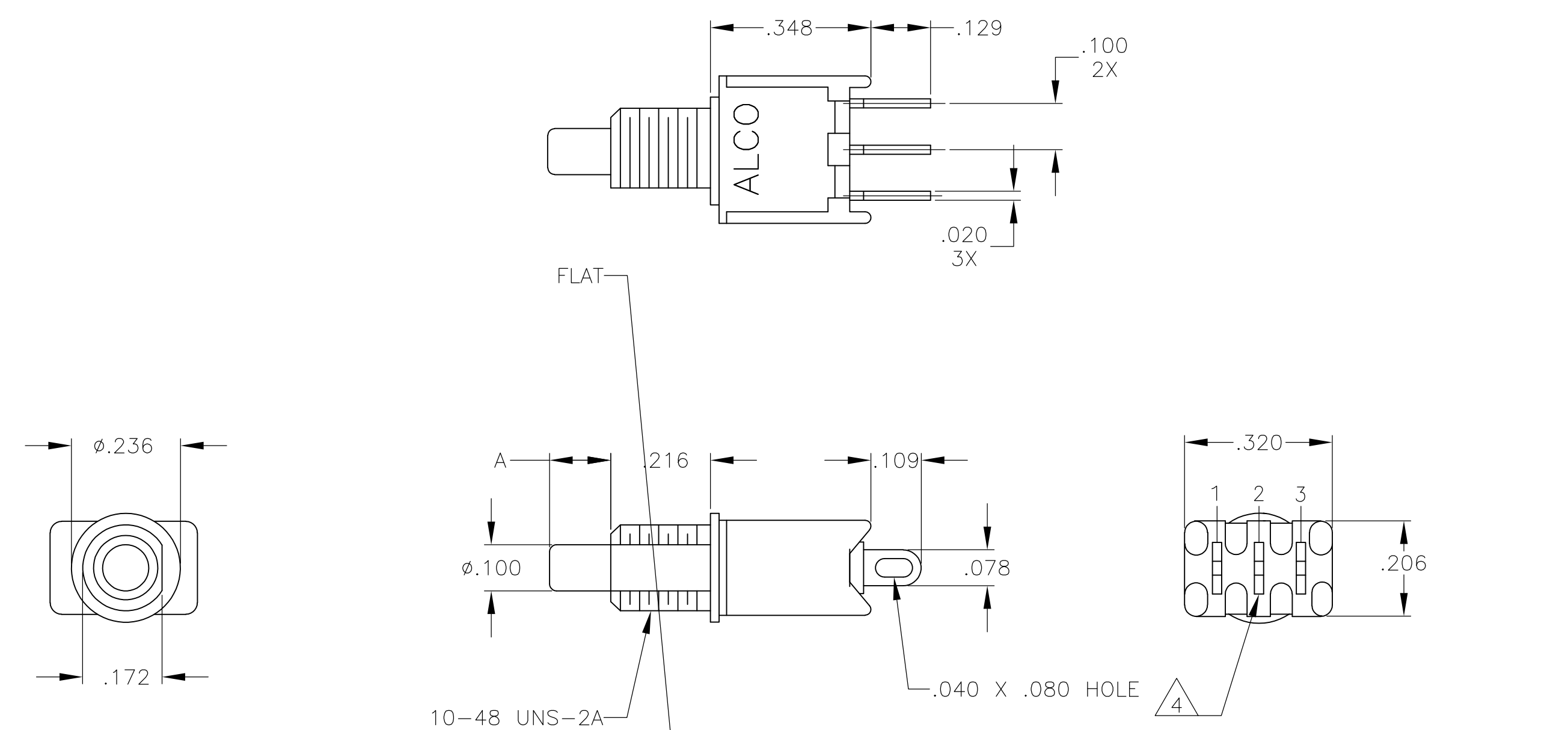
RECOMMENDED PCB LAYOUT
 TOLERANCES +/- .002

RECOMMENDED PANEL LAYOUT

TPC11CGVRA, TPC11FGVRA

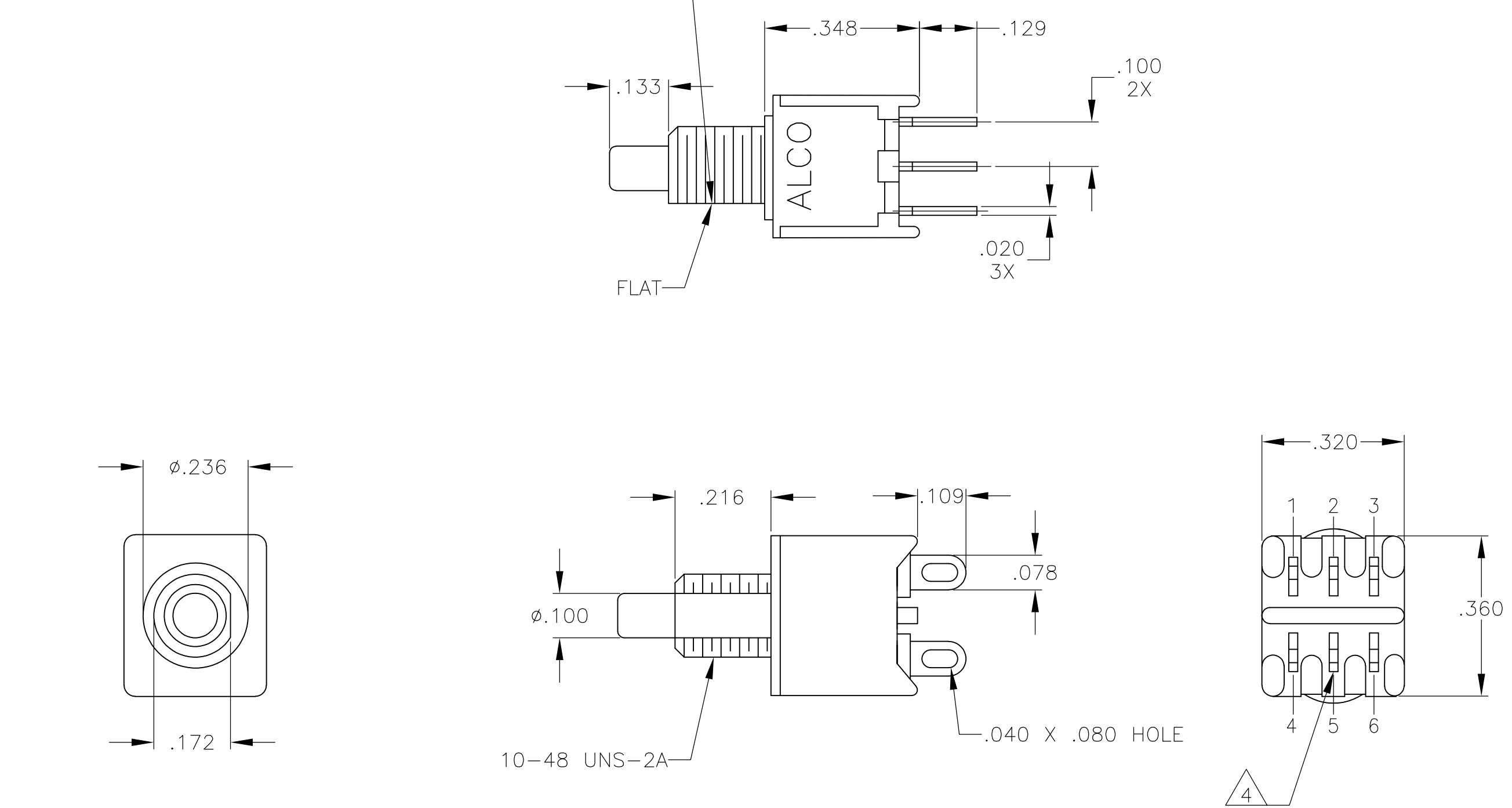
THIS DRAWING IS A CONTROLLED DOCUMENT.		DIN	12-5-05	RAGHU	
DIMENSIONS: INCHES		CHK	-	APVD	
TOLERANCES UNLESS OTHERWISE SPECIFIED:		NAME		RAGHU	
0. PLC ± -		PRODUCT SPEC		PUSHBUTTON SWITCH, TPC SERIES	
1. PLC ± -		APPLICATION SPEC		-	
2. PLC ± -		SIZE		A1	
3. PLC ± .010		CAGE CODE		00779	
4. PLC ± -		DRAWING NO		1825098	
ANGLES ± °		WEIGHT		-	
MATERIAL		CUSTOMER DRAWING		SCALE 4:1 SHEET 4 OF 5 REV A1	





TPC13C, TPC13F,
TPCF13C, TPC13F

RECOMMENDED PANEL LAYOUT



TPC23M, TPC23R

RECOMMENDED PANEL LAYOUT

THIS DRAWING IS A CONTROLLED DOCUMENT.		DIN	12-5-05	STE TE Connectivity	
DIMENSIONS: INCHES		CHK	RAGHU	NAME	
TOLERANCES UNLESS OTHERWISE SPECIFIED:		APVD		PRODUCT SPEC	
0. PLC ± .010		NAME		PUSHBUTTON SWITCH, TPC SERIES	
1. PLC ± .010		PRODUCT SPEC		APPLICATION SPEC	
2. PLC ± .010		SIZE		RESTRICTED TO	
3. PLC ± .010		CAGE CODE		DRAWING NO	
4. PLC ± .010		WEIGHT		A1 00779 C=1825098	
ANGLES ± .5°		CUSTOMER DRAWING		SCALE 4:1 SHEET 5 OF 5 REV A1	



Компания «ЭлектроПласт» предлагает заключение долгосрочных отношений при поставках импортных электронных компонентов на взаимовыгодных условиях!

Наши преимущества:

- Оперативные поставки широкого спектра электронных компонентов отечественного и импортного производства напрямую от производителей и с крупнейших мировых складов;
- Поставка более 17-ти миллионов наименований электронных компонентов;
- Поставка сложных, дефицитных, либо снятых с производства позиций;
- Оперативные сроки поставки под заказ (от 5 рабочих дней);
- Экспресс доставка в любую точку России;
- Техническая поддержка проекта, помощь в подборе аналогов, поставка прототипов;
- Система менеджмента качества сертифицирована по Международному стандарту ISO 9001;
- Лицензия ФСБ на осуществление работ с использованием сведений, составляющих государственную тайну;
- Поставка специализированных компонентов (Xilinx, Altera, Analog Devices, Intersil, Interpoint, Microsemi, Aeroflex, Peregrine, Syfer, Eurofarad, Texas Instrument, Miteq, Cobham, E2V, MA-COM, Hittite, Mini-Circuits, General Dynamics и др.);

Помимо этого, одним из направлений компании «ЭлектроПласт» является направление «Источники питания». Мы предлагаем Вам помощь Конструкторского отдела:

- Подбор оптимального решения, техническое обоснование при выборе компонента;
- Подбор аналогов;
- Консультации по применению компонента;
- Поставка образцов и прототипов;
- Техническая поддержка проекта;
- Защита от снятия компонента с производства.



Как с нами связаться

Телефон: 8 (812) 309 58 32 (многоканальный)

Факс: 8 (812) 320-02-42

Электронная почта: org@eplast1.ru

Адрес: 198099, г. Санкт-Петербург, ул. Калинина, дом 2, корпус 4, литера А.