

BENEFITS AND FEATURES

- Simply Adds Temperature Monitoring and Control to Any System
 - Measures Temperatures From -55°C to $+125^{\circ}\text{C}$ in 0.5°C Increments. Fahrenheit Equivalent is -67°F to 257°F in 0.9°F Increments
 - Temperature is Read as a 9-Bit Value (2-Byte Transfer)
 - Converts Temperature to Digital Word in Less than 1s
 - Thermostatic Settings are User Definable And Nonvolatile
- Can Be Used in a Wide Variety of Applications
 - Power Supply Range (2.7V to 5.5V)
 - Data is Read From/Written Via a 2-Wire Serial Interface (Open Drain I/O Lines)
- Saves Space
 - Temperature Measurements Require No External Components
 - 8-pin DIP or SO package (208-mil) Packages

APPLICATIONS

- Thermostatic Controls
- Industrial Systems
- Consumer Products
- Thermometers

DESCRIPTION

The DS1621 Digital Thermometer and Thermostat provides 9-bit temperature readings, which indicate the temperature of the device. The thermal alarm output, T_{OUT} , is active when the temperature of the device exceeds a user-defined temperature T_{H} . The output remains active until the temperature drops below user defined temperature T_{L} , allowing for any hysteresis necessary.

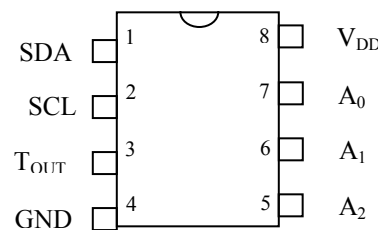
User-defined temperature settings are stored in nonvolatile memory so parts may be programmed prior to insertion in a system. Temperature settings and temperature readings are all communicated to/from the DS1621 over a simple 2-wire serial interface.

PIN ASSIGNMENT



DS1621S 8-PIN SO (150mil)

DS1621V 8-PIN SO (208mil)



DS1621 8-PIN DIP (300mil)

PIN DESCRIPTION

| | |
|------------------|-----------------------------------|
| SDA | - 2-Wire Serial Data Input/Output |
| SCL | - 2-Wire Serial Clock |
| GND | - Ground |
| T_{OUT} | - Thermostat Output Signal |
| A ₀ | - Chip Address Input |
| A ₁ | - Chip Address Input |
| A ₂ | - Chip Address Input |
| V _{DD} | - Power Supply Voltage |

ORDERING INFORMATION

| ORDERING NUMBER | PACKAGE MARKING | DESCRIPTION |
|-----------------|--------------------|--|
| DS1621 | DS1621 | DS1621 in 300 mil DIP |
| DS1621+ | DS1621 (See Note) | DS1621 in Lead-Free 300 mil DIP |
| DS1621S | DS1621 | DS1621 in 150 mil SOIC |
| DS1621S+ | DS1621 (See Note) | DS1621 in Lead-Free 150 mil SOIC |
| DS1621S/T&R | DS1621 | DS1621 in 150 mil SO, 2500 Piece Tape-and-Reel |
| DS1621S+T&R | DS1621 (See Note) | DS1621 in Lead-Free 150 mil SO, 2500 Piece Tape-and-Reel |
| DS1621V | DS1621V | DS1621 in 208 mil SOIC |
| DS1621V+ | DS1621V (See Note) | DS1621 in Lead-Free 208 mil SOIC |
| DS1621V/T&R | DS1621V | DS1621 in 208 mil SO, 2500 Piece Tape-and-Reel |
| DS1621V+T&R | DS1621V (See Note) | DS1621 in Lead-Free 208 mil SO, 2500 Piece Tape-and-Reel |

Note: A “+” symbol will also be marked on the package near the Pin 1 indicator.

Table 1. DETAILED PIN DESCRIPTION

| PIN | SYMBOL | DESCRIPTION |
|-----|------------------|--|
| 1 | SDA | Data input/output pin for 2-wire serial communication port. |
| 2 | SCL | Clock input/output pin for 2-wire serial communication port. |
| 3 | T _{OUT} | Thermostat output. Active when temperature exceeds TH; will reset when temperature falls below TL. |
| 4 | GND | Ground pin. |
| 5 | A2 | Address input pin. |
| 6 | A1 | Address input pin. |
| 7 | A0 | Address input pin. |
| 8 | V _{DD} | Supply voltage input power pin. (2.7V to 5.5V) |

OPERATION

Measuring Temperature

A block diagram of the DS1621 is shown in Figure 1.

The DS1621 measures temperature using a bandgap-based temperature sensor. A delta-sigma analog-to-digital converter (ADC) converts the measured temperature to a digital value that is calibrated in °C; for °F applications, a lookup table or conversion routine must be used.

The temperature reading is provided in a 9-bit, two’s complement reading by issuing the READ TEMPERATURE command. Table 2 describes the exact relationship of output data to measured temperature. The data is transmitted through the 2-wire serial interface, MSB first. The DS1621 can measure temperature over the range of -55°C to +125°C in 0.5°C increments.

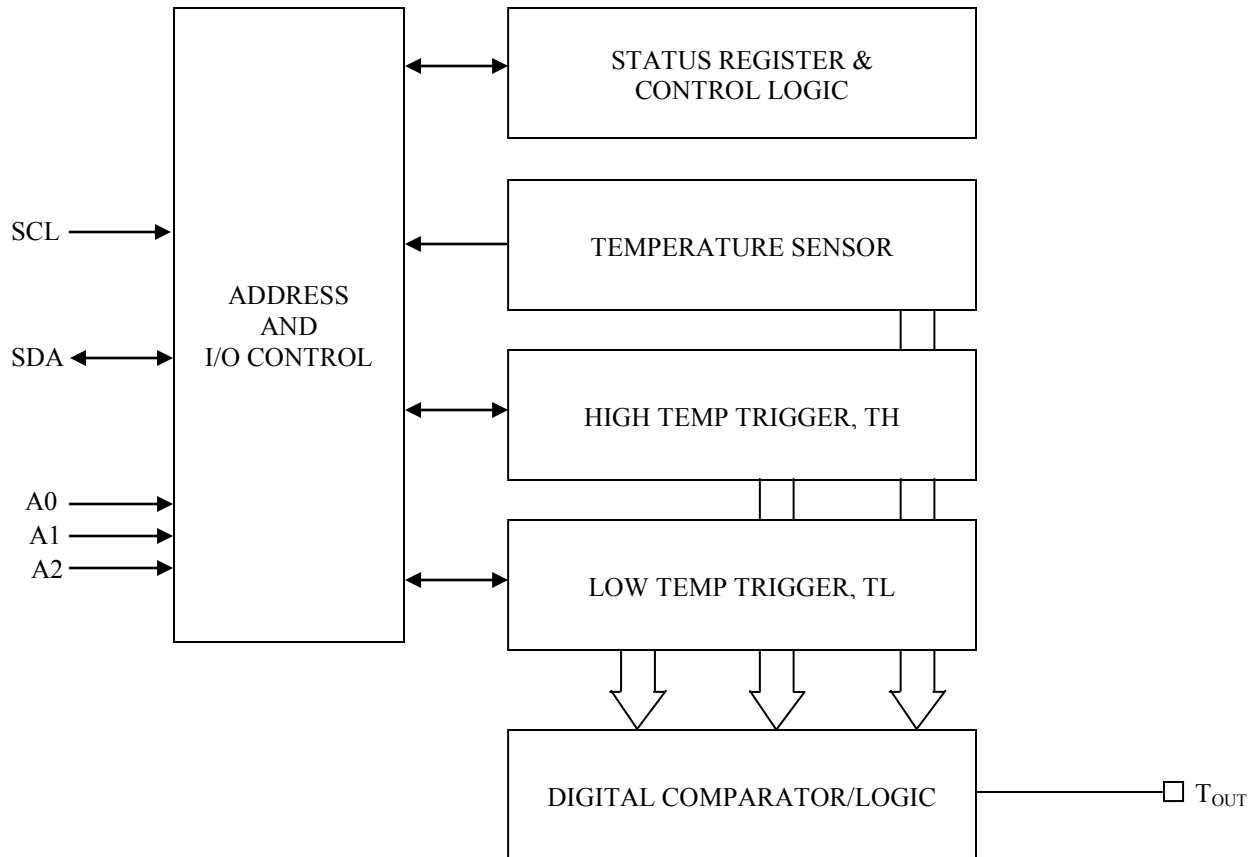
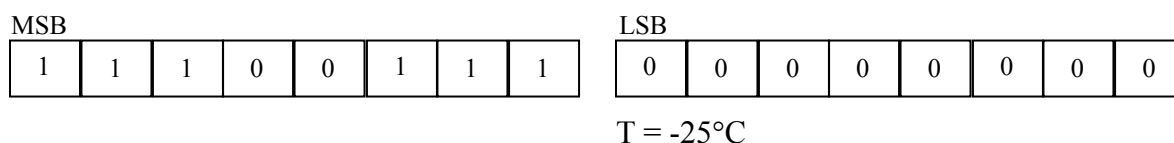
Figure 1. DS1621 FUNCTIONAL BLOCK DIAGRAM

Table 2. TEMPERATURE/DATA RELATIONSHIPS

| TEMPERATURE | DIGITAL OUTPUT (Binary) | DIGITAL OUTPUT (Hex) |
|-------------|----------------------------|-------------------------|
| +125°C | 01111101 00000000 | 7D00h |
| +25°C | 00011001 00000000 | 1900h |
| +½°C | 00000000 10000000 | 0080h |
| +0°C | 00000000 00000000 | 0000h |
| -½°C | 11111111 10000000 | FF80h |
| -25°C | 11100111 00000000 | E700h |
| -55°C | 11001001 00000000 | C900h |

Since data is transmitted over the 2-wire bus MSB first, temperature data may be written to/read from the DS1621 as either a single byte (with temperature resolution of 1°C) or as two bytes. The second byte would contain the value of the least significant (0.5°C) bit of the temperature reading as shown in Table 1. Note that the remaining 7 bits of this byte are set to all "0"s.

Temperature is represented in the DS1621 in terms of a ½°C LSB, yielding the following 9-bit format:

Figure 2. TEMPERATURE, TH, and TL FORMAT

Higher resolutions may be obtained by reading the temperature and truncating the 0.5°C bit (the LSB) from the read value. This value is TEMP_READ. A Read Counter command should be issued to yield the COUNT_REMAIN value. The Read Slope command should then be issued to obtain the COUNT_PER_C value. The higher resolution temperature may be then be calculated by the user using the following:

$$TEMPERATURE = TEMP_READ - 0.25 + \frac{(COUNT_PER_C - COUNT_REMAIN)}{COUNT_PER_C}$$

The DS1621 always powers up in a low power idle state, and the Start Convert T command must be used to initiate conversions.

The DS1621 can be programmed to perform continuous consecutive conversions (continuous-conversion mode) or to perform single conversions on command (one-shot mode). The conversion mode is programmed through the 1SHOT bit in the configuration register as explained in the *Operation and Control* section of this datasheet. In continuous conversion mode, the DS1621 begins continuous conversions after a Start Convert T command is issued. Consecutive conversions continue to be performed until a Stop Convert T command is issued, at which time the device goes into a low-power idle state. Continuous conversions can be restarted at any time using the Start Convert T command.

In one-shot mode, the DS1621 performs a single temperature conversion when a Start Convert T command is issued. When the conversion is complete, the device enters a low-power idle state and remains in that state until a single temperature conversion is again initiated by a Start Convert T command.

Thermostat Control

In its operating mode, the DS1621 functions as a thermostat with programmable hysteresis as shown in Figure 3. The thermostat output updates as soon as a temperature conversion is complete.

When the DS1621's temperature meets or exceeds the value stored in the high temperature trip register (TH), the output becomes active and will stay active until the temperature falls below the temperature stored in the low temperature trigger register (TL). In this way, any amount of hysteresis may be obtained.

The active state for the output is programmable by the user so that an active state may either be a logic "1" (V_{DD}) or a logic "0" (0V). This is done using the POL bit in the configuration register as explained in the *Operation and Control* section of this datasheet.

Figure 3. THERMOSTAT OUTPUT OPERATION



OPERATION AND CONTROL

The DS1621 must have temperature settings resident in the TH and TL registers for thermostatic operation. A configuration/status register also determines the method of operation that the DS1621 will use in a particular application, as well as indicating the status of the temperature conversion operation.

The configuration register is defined as follows:

| MSb | Bit 6 | Bit5 | Bit 4 | Bit 3 | Bit 2 | Bit 1 | LSb |
|------|-------|------|-------|-------|-------|-------|-------|
| DONE | THF | TLF | NVB | X | X | POL | 1SHOT |

where

DONE = Conversion Done bit. "1" = Conversion complete, "0" = Conversion in progress.

THF = Temperature High Flag. This bit will be set to "1" when the temperature is greater than or equal to the value of TH. It will remain "1" until reset by writing "0" into this location or removing power from the device. This feature provides a method of determining if the DS1621 has ever been subjected to temperatures above TH while power has been applied.

TLF = Temperature Low Flag. This bit will be set to “1” when the temperature is less than or equal to the value of TL. It will remain “1” until reset by writing “0” into this location or removing power from the device. This feature provides a method of determining if the DS1621 has ever been subjected to temperatures below TL while power has been applied.

NVB = Nonvolatile Memory Busy flag. “1” = Write to an E² memory cell in progress, “0” = nonvolatile memory is not busy. A copy to E² may take up to 10 ms.

POL = Output Polarity Bit. “1” = active high, “0” = active low. This bit is nonvolatile.

1SHOT = One Shot Mode. If 1SHOT is “1”, the DS1621 will perform one temperature conversion upon receipt of the Start Convert T protocol. If 1SHOT is “0”, the DS1621 will continuously perform temperature conversions. This bit is nonvolatile.

X = Reserved.

For typical thermostat operation the DS1621 will operate in continuous mode. However, for applications where only one reading is needed at certain times or to conserve power, the one-shot mode may be used. Note that the thermostat output (T_{OUT}) will remain in the state it was in after the last valid temperature conversion cycle when operating in one-shot mode.

2-WIRE SERIAL DATA BUS

The DS1621 supports a bidirectional 2-wire bus and data transmission protocol. A device that sends data onto the bus is defined as a transmitter, and a device receiving data as a receiver. The device that controls the message is called a “master.” The devices that are controlled by the master are “slaves.” The bus must be controlled by a master device which generates the serial clock (SCL), controls the bus access, and generates the START and STOP conditions. The DS1621 operates as a slave on the 2-wire bus. Connections to the bus are made via the open-drain I/O lines SDA and SCL.

The following bus protocol has been defined (See Figure 4):

- Data transfer may be initiated only when the bus is not busy.
- During data transfer, the data line must remain stable whenever the clock line is HIGH. Changes in the data line while the clock line is high will be interpreted as control signals.

Accordingly, the following bus conditions have been defined:

Bus not busy: Both data and clock lines remain HIGH.

Start data transfer: A change in the state of the data line, from HIGH to LOW, while the clock is HIGH, defines a START condition.

Stop data transfer: A change in the state of the data line, from LOW to HIGH, while the clock line is HIGH, defines the STOP condition.

Data valid: The state of the data line represents valid data when, after a START condition, the data line is stable for the duration of the HIGH period of the clock signal. The data on the line must be changed during the LOW period of the clock signal. There is one clock pulse per bit of data.

Each data transfer is initiated with a START condition and terminated with a STOP condition. The number of data bytes transferred between START and STOP conditions is not limited and is determined by the master device. The information is transferred byte-wise and each receiver acknowledges with a ninth-bit.

Within the bus specifications a regular mode (100kHz clock rate) and a fast mode (400kHz clock rate) are defined. The DS1621 works in both modes.

Acknowledge: Each receiving device, when addressed, is obliged to generate an acknowledge after the reception of each byte. The master device must generate an extra clock pulse which is associated with this acknowledge bit.

A device that acknowledges must pull down the SDA line during the acknowledge clock pulse in such a way that the SDA line is stable LOW during the HIGH period of the acknowledge related clock pulse. Of course, setup and hold times must be taken into account. A master must signal an end of data to the slave by not generating an acknowledge bit on the last byte that has been clocked out of the slave. In this case, the slave must leave the data line HIGH to enable the master to generate the STOP condition.

Figure 4. DATA TRANSFER ON 2-WIRE SERIAL BUS

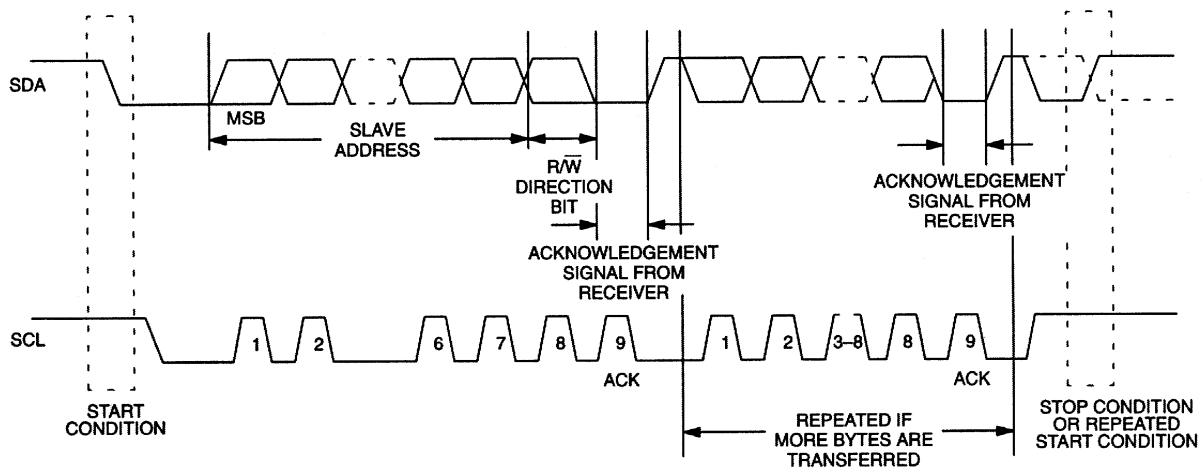


Figure 4 details how data transfer is accomplished on the 2-wire bus. Depending upon the state of the R/W bit, two types of data transfer are possible:

1. **Data transfer from a master transmitter to a slave receiver.** The first byte transmitted by the master is the slave address. Next follows a number of data bytes. The slave returns an acknowledge bit after each received byte.
2. **Data transfer from a slave transmitter to a master receiver.** The first byte, the slave address, is transmitted by the master. The slave then returns an acknowledge bit. Next follows a number of data bytes transmitted by the slave to the master. The master returns an acknowledge bit after all received bytes other than the last byte. At the end of the last received byte, a 'not acknowledge' is returned.

The master device generates all of the serial clock pulses and the START and STOP conditions. A transfer is ended with a STOP condition or with a repeated START condition. Since a repeated START condition is also the beginning of the next serial transfer, the bus will not be released.

The DS1621 may operate in the following two modes:

1. **Slave receiver mode:** Serial data and clock are received through SDA and SCL. After each byte is received an acknowledge bit is transmitted. START and STOP conditions are recognized as the beginning and end of a serial transfer. Address recognition is performed by hardware after reception of the slave address and direction bit.
2. **Slave transmitter mode:** The first byte is received and handled as in the slave receiver mode. However, in this mode the direction bit will indicate that the transfer direction is reversed. Serial data is transmitted on SDA by the DS1621 while the serial clock is input on SCL. START and STOP conditions are recognized as the beginning and end of a serial transfer.

SLAVE ADDRESS

A control byte is the first byte received following the START condition from the master device. The control byte consists of a 4-bit control code; for the DS1621, this is set as 1001 binary for read and write operations. The next 3 bits of the control byte are the device select bits (A2, A1, A0). They are used by the master device to select which of eight devices are to be accessed. These bits are in effect the 3 least significant bits of the slave address. The last bit of the control byte (R/\overline{W}) defines the operation to be performed. When set to a “1” a read operation is selected, when set to a “0” a write operation is selected. Following the START condition the DS1621 monitors the SDA bus checking the device type identifier being transmitted. Upon receiving the 1001 code and appropriate device select bits, the slave device outputs an acknowledge signal on the SDA line.

Figure 5. 2-WIRE SERIAL COMMUNICATION WITH DS1621



COMMAND SET

Data and control information is read from and written to the DS1621 in the format shown in Figure 5. To write to the DS1621, the master will issue the slave address of the DS1621 and the R/\overline{W} bit will be set to “0”. After receiving an acknowledge, the bus master provides a command protocol. After receiving this protocol, the DS1621 will issue an acknowledge and then the master may send data to the DS1621. If the DS1621 is to be read, the master must send the command protocol as before and then issue a repeated START condition and the control byte again, this time with the R/\overline{W} bit set to “1” to allow reading of the data from the DS1621. The command set for the DS1621 as shown in Table 3 is as follows:

Read Temperature [AAh]

This command reads the last temperature conversion result. The DS1621 will send 2 bytes, in the format described earlier, which are the contents of this register.

Access TH [A1h]

If R/\overline{W} is “0” this command writes to the TH (HIGH TEMPERATURE) register. After issuing this command, the next 2 bytes written to the DS1621, in the same format as described for reading temperature, will set the high temperature threshold for operation of the T_{OUT} output. If R/\overline{W} is “1” the value stored in this register is read back.

Access TL [A2h]

If R/\overline{W} is “0” this command writes to the TL (LOW TEMPERATURE) register. After issuing this command, the next 2 bytes written to the DS1621, in the same format as described for reading temperature, will set the high temperature threshold for operation of the T_{OUT} output. If R/\overline{W} is “1” the value stored in this register is read back.

Access Config [ACh]

If R/\overline{W} is “0” this command writes to the configuration register. After issuing this command, the next data byte is the value to be written into the configuration register. If R/\overline{W} is “1” the next data byte read is the value stored in the configuration register.

Read Counter [A8h]

This command reads the value Count_Remain. This command is valid only if R/\overline{W} is “1”.

Read Slope [A9h]

This command reads the value Count_Per_C. This command is valid only if R/\overline{W} is “1”.

Start Convert T [EEh]

This command begins a temperature conversion. No further data is required. In one-shot mode the temperature conversion will be performed and then the DS1621 will remain idle. In continuous mode this command will initiate continuous conversions.

Stop Convert T [22h]

This command stops temperature conversion. No further data is required. This command may be used to halt a DS1621 in continuous conversion mode. After issuing this command, the current temperature measurement will be completed and the DS1621 will remain idle until a Start Convert T is issued to resume continuous operation.

Table 3. DS1621 COMMAND SET

| INSTRUCTION | DESCRIPTION | PROTOCOL | 2-WIRE BUS DATA AFTER ISSUING PROTOCOL | NOTES |
|--|--|-----------------|---|--------------|
| TEMPERATURE CONVERSION COMMANDS | | | | |
| Read Temperature | Read last converted temperature value from temperature register. | AAh | <read 2 bytes data> | |
| Read Counter | Reads value of Count_Remain | A8h | <read data> | |
| Read Slope | Reads value of the Count_Per_C | A9h | <read data> | |
| Start Convert T | Initiates temperature conversion. | EEh | idle | 1 |
| Stop Convert T | Halts temperature conversion. | 22h | idle | 1 |
| THERMOSTAT COMMANDS | | | | |
| Access TH | Reads or writes high temperature limit value into TH register. | A1h | <write data> | 2 |
| Access TL | Reads or writes low temperature limit value into TL register. | A2h | <write data> | 2 |
| Access Config | Reads or writes configuration data to configuration register. | ACh | <write data> | 2 |

NOTES:

1. In continuous conversion mode a Stop Convert T command will halt continuous conversion. To restart the Start Convert T command must be issued. In one-shot mode a Start Convert T command must be issued for every temperature reading desired.
2. Writing to the E² requires a maximum of 10ms at room temperature. After issuing a write command, no further writes should be requested for at least 10ms.

MEMORY FUNCTION EXAMPLE

Example: Bus master sets up DS1621 for continuous conversion and thermostatic function.

| BUS MASTER MODE | DS1621 MODE | DATA (MSB FIRST) | COMMENTS |
|------------------------|--------------------|-------------------------|---|
| TX | RX | START | Bus Master initiates a START condition. |
| TX | RX | <address,0> | Bus Master sends DS1621 address; $R/\overline{W} = 0$. |
| RX | TX | ACK | DS1621 generates acknowledge bit. |
| TX | RX | ACh | Bus Master sends Access Config command protocol. |
| RX | TX | ACK | DS1621 generates acknowledge bit. |
| TX | RX | 02h | Bus Master sets up DS1621 for output polarity active high, continuous conversion. |
| RX | TX | ACK | DS1621 generates acknowledge bit. |
| TX | RX | START | Bus Master generates a repeated START condition. |
| TX | RX | <address,0> | Bus Master sends DS1621 address; $R/\overline{W} = 0$. |
| RX | TX | ACK | DS1621 generates acknowledge bit. |
| TX | RX | A1h | Bus Master sends Access TH command. |
| RX | TX | ACK | DS1621 generates acknowledge bit. |
| TX | RX | 28h | Bus Master sends first byte of data for TH limit of +40°C. |
| RX | TX | ACK | DS1621 generates acknowledge bit. |
| TX | RX | 00h | Bus Master sends second byte of data for TH limit of +40°C. |
| RX | TX | ACK | DS1621 generates acknowledge bit. |
| TX | RX | START | Bus Master generates a repeated START condition. |
| TX | RX | <address,0> | Bus Master sends DS1621 address; $R/\overline{W} = 0$. |
| RX | TX | ACK | DS1621 generates acknowledge bit. |
| TX | RX | A2h | Bus Master sends Access TL command. |
| RX | TX | ACK | DS1621 generates acknowledge bit. |
| TX | RX | 0Ah | Bus Master sends first byte of data for TL limit of +10°C. |
| RX | TX | ACK | DS1621 generates acknowledge bit. |
| TX | RX | 00h | Bus Master sends second byte of data for TL limit of +10°C. |
| RX | TX | ACK | DS1621 generates acknowledge bit. |
| TX | RX | START | Bus Master generates a repeated START condition. |
| TX | RX | <address,0> | Bus Master sends DS1621 address; $R/\overline{W} = 0$. |
| RX | TX | ACK | DS1621 generates acknowledge bit. |
| TX | RX | Eeh | Bus Master sends Start Convert T command protocol. |
| RX | TX | ACK | DS1621 generates acknowledge bit. |
| TX | RX | STOP | Bus Master initiates STOP condition. |

ABSOLUTE MAXIMUM RATINGS*

| | |
|---------------------------------------|--|
| Voltage on Any Pin Relative to Ground | -0.5V to +6.0V |
| Operating Temperature Range | -55°C to +125°C |
| Storage Temperature Range | -55°C to +125°C |
| Soldering Temperature | See IPC/JEDEC J-STD-020A Specification |

* This is a stress rating only and functional operation of the device at these or any other conditions above those indicated in the operation sections of this specification is not implied. Exposure to absolute maximum rating conditions for extended periods of time may affect reliability.

RECOMMENDED DC OPERATING CONDITIONS

| PARAMETER | SYMBOL | MIN | TYP | MAX | UNITS | NOTES |
|----------------|-----------------|-----|-----|-----|-------|-------|
| Supply Voltage | V _{DD} | 2.7 | | 5.5 | V | 1 |

DC ELECTRICAL CHARACTERISTICS (-55°C to +125°C; V_{DD} = 2.7V to 5.5V)

| PARAMETER | SYMBOL | CONDITION | MIN | TYP | MAX | UNITS | NOTES |
|--|------------------|--|---------------------|-----|----------------------|-------|-------|
| Thermometer Error | T _{ERR} | 0°C to 70°C 3.0V ≤ V _{DD} ≤ 5.5V | | | ±½ | °C | |
| | | 0°C to 70°C 2.7V ≤ V _{DD} ≤ 3.0V | | | ±1 | °C | |
| | | -55°C to +0°C and 70°C to 125°C | | | ±2 | °C | |
| Thermometer Resolution | | | | | 12 | bits | |
| Low Level Input Voltage | V _{IL} | | 0.5 | | 0.3 V _{DD} | V | |
| High Level Input Voltage | V _{IH} | | 0.7 V _{DD} | | V _{DD} +0.3 | V | |
| Pulse width of spikes which must be suppressed by the input filter | t _{SP} | Fast Mode | 0 | | 50 | ns | |
| Low Level Output Voltage | V _{OL1} | 3 mA Sink Current | 0 | | 0.4 | V | |
| | V _{OL2} | 6 mA Sink Current | 0 | | 0.6 | V | |
| Input Current each I/O Pin | | 0.4 < V _{I/O} < 0.9 V _{DD} | -10 | | 10 | µA | 2 |
| I/O Capacitance | C _{I/O} | | | | 10 | pF | |

| | | | | | | | |
|---|------------|---|-----|--|------|---------------|------|
| Active Supply Current | I_{CC} | Temperature Conversion -55°C to +85°C | | | 1000 | μA | 3, 4 |
| | | Temperature Conversion +85°C to +125°C | | | 1250 | | |
| | | E ² Write | | | 400 | | |
| | | Communication Only | | | 110 | | |
| Standby Supply Current | I_{STBY} | | | | 1 | μA | 3, 4 |
| Thermostat Output (T _{OUT}) Output Voltage | V_{OH} | 1 mA Source | 2.4 | | | V | |
| | V_{OL} | 4 mA Sink | | | 0.4 | V | |

AC ELECTRICAL CHARACTERISTICS (-55°C to +125°C; $V_{DD} = 2.7V$ to $5.5V$)

| PARAMETER | SYMBOL | CONDITION | MIN | TYP | MAX | UNITS | NOTES |
|--|--------------|----------------------------|-------------|-----|-------------|---------|-------|
| Temperature Conversion Time | T_{TC} | | | | 750 | ms | |
| NV Write Cycle Time | t_{WR} | 0°C to 70°C | | 4 | 10 | ms | 10 |
| SCL Clock Frequency | f_{SCL} | Fast Mode Standard Mode | 0 0 | | 400 100 | KHz | |
| Bus Free Time Between a STOP and START Condition | t_{BUF} | Fast Mode Standard Mode | 1.3 4.7 | | | μs | |
| Hold Time (Repeated) START Condition | $t_{HD:STA}$ | Fast Mode Standard Mode | 0.6 4.0 | | | μs | 5 |
| Low Period of SCL Clock | T_{LOW} | Fast Mode Standard Mode | 1.3 4.7 | | | μs | |
| High Period of SCL Clock | T_{HIGH} | Fast Mode Standard Mode | 0.6 4.0 | | | μs | |
| Setup Time for a Repeated START Condition | $t_{SU:STA}$ | Fast Mode Standard Mode | 0.6 4.7 | | | μs | |
| Data Hold Time | $t_{HD:DAT}$ | Fast Mode Standard Mode | 0 0 | | 0.9 | μs | 6, 7 |
| Data Setup Time | $t_{SU:DAT}$ | Fast Mode Standard Mode | 100 250 | | | ns | 8 |
| Rise Time of Both SDA and SCL Signals | t_R | Fast Mode Standard Mode | $20+0.1C_B$ | | 300 1000 | ns | 9 |
| Fall Time of both SDA and SCL Signals | t_F | Fast Mode Standard Mode | $20+0.1C_B$ | | 300 300 | ns | 9 |
| Setup time for STOP Condition | $t_{SU:STO}$ | Fast Mode Standard Mode | 0.6 4.0 | | | μs | |
| Capacitive Load for each Bus Line | C_b | | | | 400 | pF | |

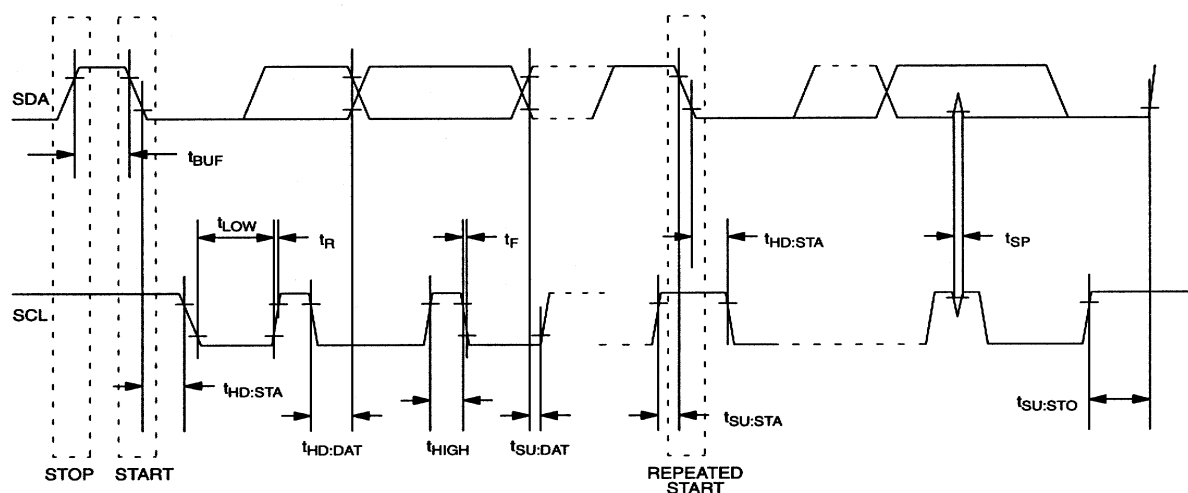
All values referred to $V_{IH}=0.9 V_{DD}$ and $V_{IL}=0.1 V_{DD}$.

AC ELECTRICAL CHARACTERISTICS (-55°C to +125°C; $V_{DD} = 2.7V$ to $5.5V$)

| PARAMETER | SYMBOL | MIN | TYP | MAX | UNITS | NOTES |
|-------------------|--------|-----|-----|-----|-------|-------|
| Input Capacitance | C_I | | 5 | | pF | |

NOTES:

1. All voltages are referenced to ground.
2. I/O pins of fast mode devices must not obstruct the SDA and SCL lines if V_{DD} is switched off.
3. I_{CC} specified with T_{OUT} pin open.
4. I_{CC} specified with V_{CC} at 5.0V and SDA, SCL = 5.0V, 0°C to 70°C.
5. After this period, the first clock pulse is generated.
6. A device must internally provide a hold time of at least 300ns for the SDA signal (referred to the $V_{IH\ MIN}$ of the SCL signal) in order to bridge the undefined region of the falling edge of SCL.
7. The maximum $t_{HD:DAT}$ has only to be met if the device does not stretch the LOW period (t_{LOW}) of the SCL signal.
8. A fast mode device can be used in a standard mode system, but the requirement $t_{SU:DAT} > 250ns$ must then be met. This will automatically be the case if the device does not stretch the LOW period of the SCL signal. If such a device does stretch the LOW period of the SCL signal, it must output the next data bit to the SDA line $t_{RMAX} + t_{SU:DAT} = 1000 + 250 = 1250ns$ before the SCL line is released.
9. C_B —total capacitance of one bus line in pF.
10. Writing to the nonvolatile memory should only take place in the 0°C to 70°C temperature range.

TIMING DIAGRAM

Maxim Integrated cannot assume responsibility for use of any circuitry other than circuitry entirely embodied in a Maxim Integrated product. No circuit patent licenses are implied. Maxim Integrated reserves the right to change the circuitry and specifications without notice at any time. The parametric values (min and max limits) shown in the Electrical Characteristics table are guaranteed. Other parametric values quoted in this data sheet are provided for guidance.

Maxim Integrated 160 Rio Robles, San Jose, CA 95134 USA 1-408-601-1000

©2015 Maxim Integrated Products, Inc. Maxim Integrated and the Maxim Integrated logo are trademarks of Maxim Integrated Products, Inc.



Компания «ЭлектроПласт» предлагает заключение долгосрочных отношений при поставках импортных электронных компонентов на взаимовыгодных условиях!

Наши преимущества:

- Оперативные поставки широкого спектра электронных компонентов отечественного и импортного производства напрямую от производителей и с крупнейших мировых складов;
- Поставка более 17-ти миллионов наименований электронных компонентов;
- Поставка сложных, дефицитных, либо снятых с производства позиций;
- Оперативные сроки поставки под заказ (от 5 рабочих дней);
- Экспресс доставка в любую точку России;
- Техническая поддержка проекта, помощь в подборе аналогов, поставка прототипов;
- Система менеджмента качества сертифицирована по Международному стандарту ISO 9001;
- Лицензия ФСБ на осуществление работ с использованием сведений, составляющих государственную тайну;
- Поставка специализированных компонентов (Xilinx, Altera, Analog Devices, Intersil, Interpoint, Microsemi, Aeroflex, Peregrine, Syfer, Eurofarad, Texas Instrument, Miteq, Cobham, E2V, MA-COM, Hittite, Mini-Circuits, General Dynamics и др.);

Помимо этого, одним из направлений компании «ЭлектроПласт» является направление «Источники питания». Мы предлагаем Вам помощь Конструкторского отдела:

- Подбор оптимального решения, техническое обоснование при выборе компонента;
- Подбор аналогов;
- Консультации по применению компонента;
- Поставка образцов и прототипов;
- Техническая поддержка проекта;
- Защита от снятия компонента с производства.



Как с нами связаться

Телефон: 8 (812) 309 58 32 (многоканальный)

Факс: 8 (812) 320-02-42

Электронная почта: org@eplast1.ru

Адрес: 198099, г. Санкт-Петербург, ул. Калинина, дом 2, корпус 4, литера А.