



SERIES: VSBU-150 | **DESCRIPTION:** AC-DC POWER SUPPLY

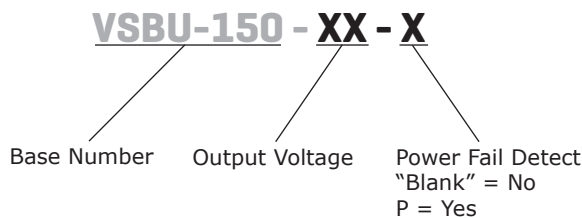
FEATURES

- up to 150 W combined power
- open frame
- active power factor correction
- class I insulation
- output voltage available from 9 to 48 V dc
- over voltage protection, input surge current protection, over load protection
- 88% efficiency



| MODEL | output voltage | output current | output power | ripple and noise | efficiency |
|-------------|----------------|----------------|--------------|------------------|------------|
| | (Vdc) | max (A) | max (W) | max (mVp-p) | typ (%) |
| VSBU-150-9 | 9 | 16 | 144 | 90 | 88 |
| VSBU-150-12 | 12 | 12.5 | 150 | 120 | 88 |
| VSBU-150-15 | 15 | 10 | 150 | 150 | 88 |
| VSBU-150-18 | 18 | 8.33 | 150 | 180 | 88 |
| VSBU-150-24 | 24 | 6.25 | 150 | 240 | 88 |
| VSBU-150-30 | 30 | 5 | 150 | 300 | 88 |
| VSBU-150-36 | 36 | 4.17 | 150 | 360 | 88 |
| VSBU-150-48 | 48 | 3.13 | 150 | 480 | 88 |

PART NUMBER KEY



INPUT

| parameter | conditions/description | min | typ | max | units |
|-------------------------|---|------|-----|-----|-------|
| voltage | | 90 | | 264 | Vac |
| frequency | | 47 | | 63 | Hz |
| current | at 115 Vac, full load | | | 2.0 | A |
| | at 230 Vac, full load | | | 0.8 | A |
| inrush current | at 115 Vac, 25°C, full load, cold start | | | 40 | A |
| | at 230 Vac, 25°C, full load, cold start | | | 100 | A |
| power factor correction | at 240 Vac, full load | 0.95 | | 1.0 | |

OUTPUT

| parameter | conditions/description | min | typ | max | units |
|-------------------------|-----------------------------------|-------|-----|------|-------|
| line regulation | full load | | 0.5 | 1 | % |
| load regulation | at 230 Vac | | | 5 | % |
| temperature coefficient | all output | -0.04 | | 0.04 | %/°C |
| transient response | full load to half load at 100 Vac | | | 4 | ms |
| start-up | full load at 100 Vac | | | 3 | s |
| hold-up | full load at 110 Vac | 16 | | | ms |

PROTECTIONS

| parameter | conditions/description | min | typ | max | units |
|-------------------------|------------------------|-----|-----|-----|-------|
| over voltage protection | | 112 | | 132 | % |
| over current protection | | 110 | | 150 | % |

SAFETY & COMPLIANCE

| parameter | conditions/description | min | typ | max | units |
|----------------------|--|---------|-----|------|-------|
| isolation voltage | primary to secondary | 4,242 | | | Vdc |
| | primary to earth ground | 2,837 | | | Vdc |
| isolation resistance | test voltage of 500 Vdc | 50 | | | MΩ |
| safety approvals | UL/cUL, TUV-Baurart, CE, CISPR-22 class B, FCC part 15 class B, CB | | | | |
| EMI/EMC | CISPR 22 class B, FCC part-15 class B | | | | |
| leakage current | full load at 240 Vac | | | 0.75 | mA |
| MTBF | MIL-HDBK-217F, 25°C ambient | 100,000 | | | hrs |
| RoHS | 2011/65/EU | | | | |

ENVIRONMENTAL

| parameter | conditions/description | min | typ | max | units |
|-----------------------|------------------------|-----|-----|-----|-------|
| operating temperature | see derating curve | 0 | | 70 | °C |
| storage temperature | | -40 | | 85 | °C |
| operating humidity | non-condensing | 5 | | 95 | % |
| storage humidity | | 5 | | 95 | % |

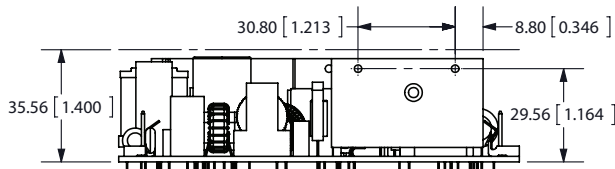
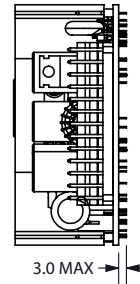
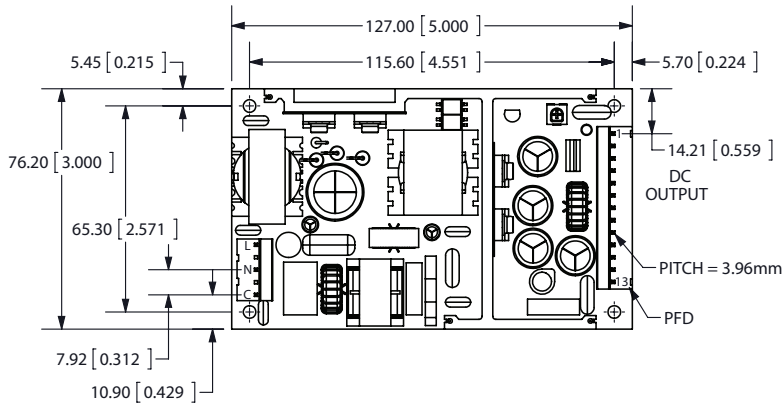
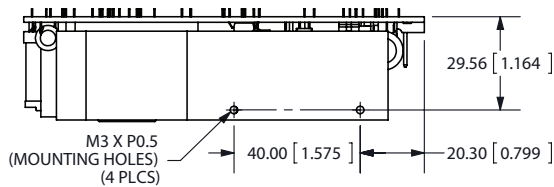
DERATING CURVES

output power vs. ambient temperature



MECHANICAL DRAWING

units: mm[inches]
tolerance: ±0.5mm



| CN1 | |
|-----|------------|
| 1 | ac line |
| 2 | ac neutral |
| 3 | ground |

note:

- Input connector mates with Molex housing 09-52-4054 and Molex 2478 series crimp terminal.
- Output connector mates with Molex housing 09-52-4134 and Molex 2478 series crimp terminal.

| CN2 | |
|-----|-----|
| 1 | V1 |
| 2 | V1 |
| 3 | V1 |
| 4 | V1 |
| 5 | V1 |
| 6 | V1 |
| 7 | com |
| 8 | com |
| 9 | com |
| 10 | com |
| 11 | com |
| 12 | com |
| 13 | n/c |

*pin 13 for optional power fail detect

REVISION HISTORY

| rev. | description | date |
|------|---|------------|
| 1.0 | initial release | 11/19/2010 |
| 1.01 | new template applied | 08/12/2011 |
| 1.02 | V-Infinity branding removed | 08/16/2012 |
| 1.03 | updated drawing pinouts | 01/15/2013 |
| 1.04 | updated derating curve | 02/12/2013 |
| 1.05 | updated efficiencies | 07/01/2013 |
| 1.06 | updated recommended mating connectors, updated spec | 05/22/2014 |

The revision history provided is for informational purposes only and is believed to be accurate.

**CUI INC[®]**

Headquarters
20050 SW 112th Ave.
Tualatin, OR 97062
800.275.4899

Fax 503.612.2383
cui.com
techsupport@cui.com

CUI offers a two (2) year limited warranty. Complete warranty information is listed on our website.

CUI reserves the right to make changes to the product at any time without notice. Information provided by CUI is believed to be accurate and reliable. However, no responsibility is assumed by CUI for its use, nor for any infringements of patents or other rights of third parties which may result from its use.

CUI products are not authorized or warranted for use as critical components in equipment that requires an extremely high level of reliability. A critical component is any component of a life support device or system whose failure to perform can be reasonably expected to cause the failure of the life support device or system, or to affect its safety or effectiveness.



Компания «ЭлектроПласт» предлагает заключение долгосрочных отношений при поставках импортных электронных компонентов на взаимовыгодных условиях!

Наши преимущества:

- Оперативные поставки широкого спектра электронных компонентов отечественного и импортного производства напрямую от производителей и с крупнейших мировых складов;
- Поставка более 17-ти миллионов наименований электронных компонентов;
- Поставка сложных, дефицитных, либо снятых с производства позиций;
- Оперативные сроки поставки под заказ (от 5 рабочих дней);
- Экспресс доставка в любую точку России;
- Техническая поддержка проекта, помощь в подборе аналогов, поставка прототипов;
- Система менеджмента качества сертифицирована по Международному стандарту ISO 9001;
- Лицензия ФСБ на осуществление работ с использованием сведений, составляющих государственную тайну;
- Поставка специализированных компонентов (Xilinx, Altera, Analog Devices, Intersil, Interpoint, Microsemi, Aeroflex, Peregrine, Syfer, Eurofarad, Texas Instrument, Miteq, Cobham, E2V, MA-COM, Hittite, Mini-Circuits, General Dynamics и др.);

Помимо этого, одним из направлений компании «ЭлектроПласт» является направление «Источники питания». Мы предлагаем Вам помощь Конструкторского отдела:

- Подбор оптимального решения, техническое обоснование при выборе компонента;
- Подбор аналогов;
- Консультации по применению компонента;
- Поставка образцов и прототипов;
- Техническая поддержка проекта;
- Защита от снятия компонента с производства.



Как с нами связаться

Телефон: 8 (812) 309 58 32 (многоканальный)

Факс: 8 (812) 320-02-42

Электронная почта: org@eplast1.ru

Адрес: 198099, г. Санкт-Петербург, ул. Калинина, дом 2, корпус 4, литера А.