

REFERENCE SPECIFICATIONS

-NFC 93425 (in compliance with HE 507)

PHYSICAL CHARACTERISTICS

- INSULATOR MATERIAL: THERMOPLASTIC UL94V0
- CONTACT MATERIAL: BRASS
GOLD OVER NICKEL
- ACCESSORIES: STEEL FOR BRACKETS
Cadmium plated, yellow passivation
- SHELLS: STEEL
Cadmium plated, yellow passivation

ELECTRICAL CHARACTERISTICS

- NOMINAL CURRENT: 7.5A (SIGNAL CONTACT)
- CONTACT RESISTANCE: <=7.3 m Ohms(SIGNAL)
- CONTACT/CONTACT : >=1000 V
- CONTACT/GROUND : >=1200 V
- INSULATION RESISTANCE: >=5000 MOhms

ENVIRONMENTAL CHARACTERISTICS

- CLIMATIC CATEGORY: 55/125/21
TEMPERATURE RANGE -55°C TO +125°C
DAMP HEAT STEADY STATE 56 DAYS
SALT SPRAY 48 HOURS

DBML13W3P500MN

Series

Shell size: **E A B C D**
(see sheet 3)

M :Characteristics for the DM serie

Front accessory definition (see sheet 2)

- blank** :without accessory
- L** :threaded insert M3
- O** :threaded insert UNC 4-40
- V** :female screw UNC 4-40

Layout of contacts (see sheet 3)

Contacts

P :Pin

Termination type

5 Right angle/Europe standard

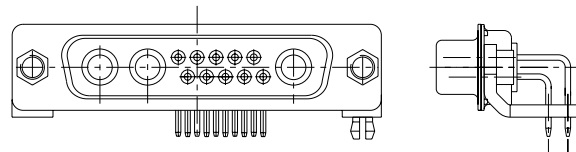
Plating

- 00** Right angle 500 matings/unmatings
- 43** Right angle 500 matings/unmatings for harsh environment

PCB accessories definition(see sheet 2)

- blank** :Plastic brackets
- C** :Without brackets
- M** :Metal brackets

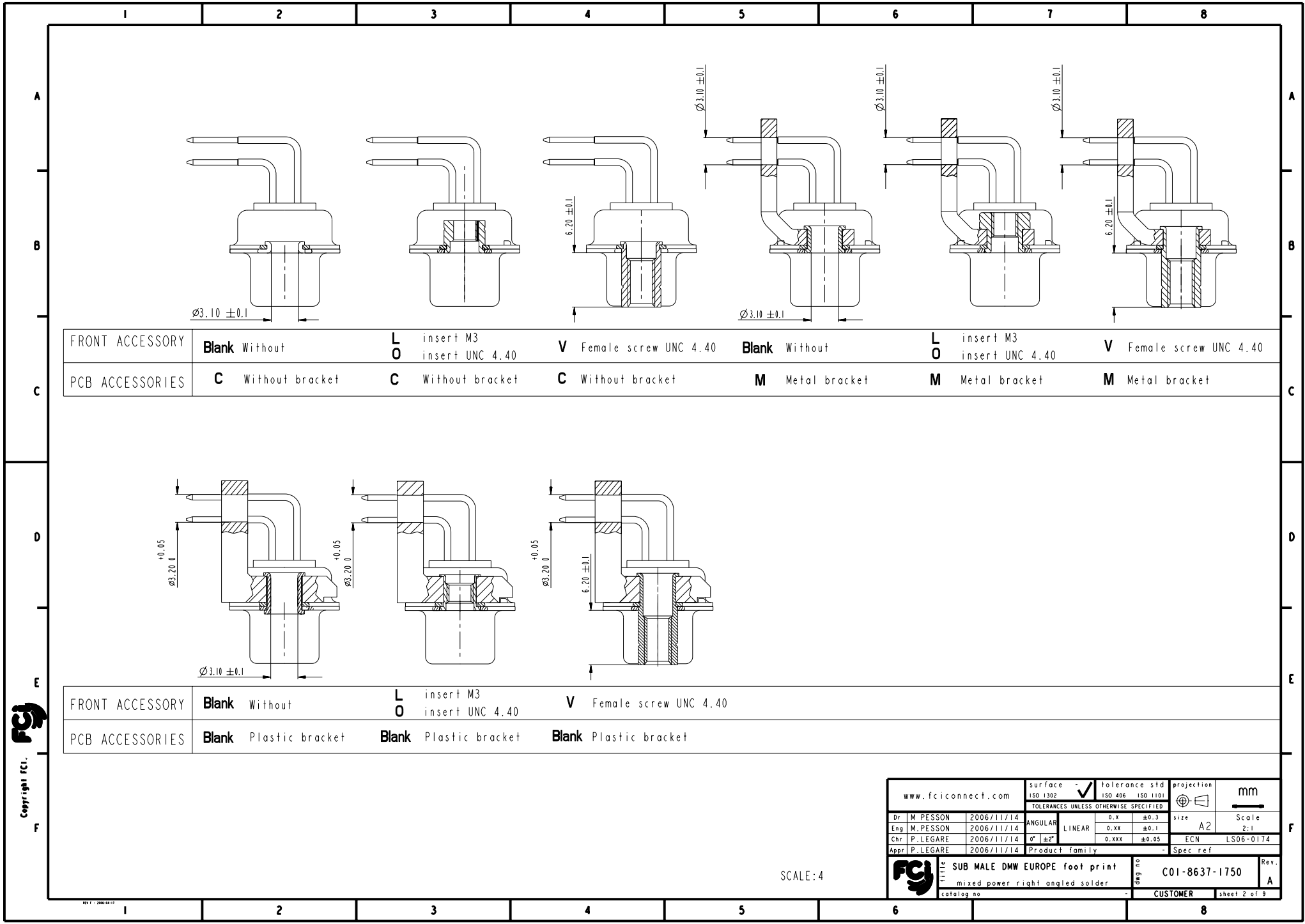
N :Obligatory indication for HE 507



13W3 FOR EXAMPLE

| | | | | | | | | |
|---|-----------|------------|----------------|---------------------------------------|------------------|------------|--------------|---|
| www.fciconnect.com | | | | surface | tolerance std | projection | mm | |
| | | | | ISO 1302 | ISO 406 ISO 1101 | mm | | |
| | | | | TOLERANCES UNLESS OTHERWISE SPECIFIED | | | | |
| Dr | M. PESSON | 2006/11/14 | ANGULAR | 0.X | ±0.3 | size | Scale | |
| Eng | M. PESSON | 2006/11/14 | LINEAR | 0.xx | ±0.1 | A2 | 2:1 | |
| Chr | P. LEGARE | 2006/11/14 | 0° ±2° | 0.xxx | ±0.05 | ECN | LS06-0174 | |
| Appr | P. LEGARE | 2006/11/14 | Product family | | Spec ref | | | |
| SUB MALE DMW EUROPE foot print mixed power right angled solder catalog no | | | | ang no | C01-8637-1750 | | Rev. | A |
| | | | | | | CUSTOMER | sheet 1 of 9 | |

Copyright FCI



| | | | | | | |
|-----------------|--------------------------|--|--------------------------------|------------------------|--|--------------------------------|
| FRONT ACCESSORY | Blank Without | L insert M3 O insert UNC 4.40 | V Female screw UNC 4.40 | Blank Without | L insert M3 O insert UNC 4.40 | V Female screw UNC 4.40 |
| PCB ACCESSORIES | C Without bracket | C Without bracket | C Without bracket | M Metal bracket | M Metal bracket | M Metal bracket |

| | | | |
|-----------------|------------------------------|--|--------------------------------|
| FRONT ACCESSORY | Blank Without | L insert M3 O insert UNC 4.40 | V Female screw UNC 4.40 |
| PCB ACCESSORIES | Blank Plastic bracket | Blank Plastic bracket | Blank Plastic bracket |

| | | | | |
|---|------------|---------------------------------------|-----------------------------------|------------------|
| www.fciconnect.com | | surface - ISO 1302 ✓ | tolerance std ISO 406 ISO 1101 | projection mm |
| | | TOLERANCES UNLESS OTHERWISE SPECIFIED | | |
| Dr M. PESSON | 2006/11/14 | ANGULAR | 0.X ±0.3 | size A2 |
| Eng M. PESSON | 2006/11/14 | LINEAR | 0.XX ±0.1 | Scale 2:1 |
| Chr P. LEGARE | 2006/11/14 | 0° ±2° | 0.XXX ±0.05 | ECN LS06-0174 |
| Appr P. LEGARE | 2006/11/14 | Product family | - Spec ref | |
| TITLE SUB MALE DMW EUROPE foot print | | ang no | C01-8637-1750 | |
| mixed power right angled solder | | Rev. | A | |
| catalog no | | CUSTOMER sheet 2 of 9 | | |

SCALE: 4

Copyright fci. FCJ

1 2 3 4 5 6 7 8

A
B
C
D
E
F

shell size LAYOUTS
xWx

| PART NUMBER | MATINGS/ UNMATINGS | FRONT ACCESSORY | PCB ACCESSORIES |
|---------------|-----------------------|-----------------------|--------------------|
| D*MxWxP500CN | 500 | without | without |
| D*MLxWxP500CN | 500 | insert M3 | without |
| D*MOxWxP500CN | 500 | insert UNC 4.40 | without |
| D*MVxWxP500CN | 500 | female screw UNC 4.40 | without |
| D*MxWxP500MN | 500 | without | metal bracket |
| D*MLxWxP500MN | 500 | insert M3 | metal bracket |
| D*MOxWxP500MN | 500 | insert UNC 4.40 | metal bracket |
| D*MVxWxP500MN | 500 | female screw UNC 4.40 | metal bracket |
| D*MxWxP500N | 500 | without | plastic bracket |
| D*MLxWxP500N | 500 | insert M3 | plastic bracket |
| D*MOxWxP500N | 500 | insert UNC 4.40 | plastic bracket |
| D*MVxWxP500N | 500 | female screw UNC 4.40 | plastic bracket |

E 5W1
A 11W1
A 7W2
B 21W1
B 17W2
B 13W3
B 9W4
C 25W3
C 21WA4
C 27W2
D 47W1
D 24W7
D 36W4

| PART NUMBER | MATINGS/ UNMATINGS | FRONT ACCESSORY | PCB ACCESSORIES |
|---------------|-----------------------|-----------------------|--------------------|
| D*MxWxP543CN | 500 | without | without |
| D*MLxWxP543CN | 500 | insert M3 | without |
| D*MOxWxP543CN | 500 | insert UNC 4.40 | without |
| D*MVxWxP543CN | 500 | female screw UNC 4.40 | without |
| D*MxWxP543MN | 500 | without | metal bracket |
| D*MLxWxP543MN | 500 | insert M3 | metal bracket |
| D*MOxWxP543MN | 500 | insert UNC 4.40 | metal bracket |
| D*MVxWxP543MN | 500 | female screw UNC 4.40 | metal bracket |
| D*MxWxP543N | 500 | without | plastic bracket |
| D*MLxWxP543N | 500 | insert M3 | plastic bracket |
| D*MOxWxP543N | 500 | insert UNC 4.40 | plastic bracket |
| D*MVxWxP543N | 500 | female screw UNC 4.40 | plastic bracket |

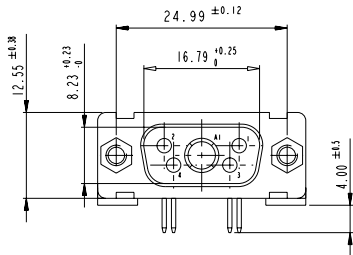
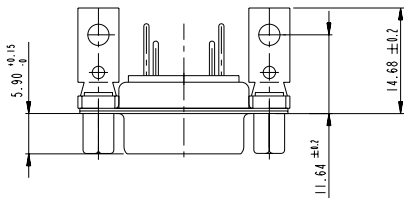
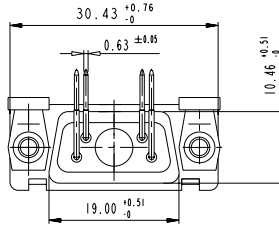
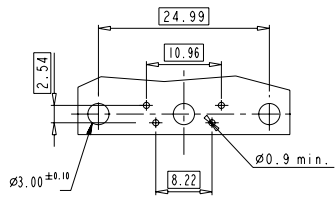


| | | | | |
|--------------------|------------|---|-----------------------------------|-------------------|
| www.fciconnect.com | | surface - ISO 1302 | tolerance std ISO 406 ISO 1101 | projection mm |
| | | TOLERANCES UNLESS OTHERWISE SPECIFIED | | |
| Dr M.PESSON | 2006/11/14 | ANGULAR | 0.X ±0.3 | size A2 Scale 2:1 |
| Eng M.PESSON | 2006/11/14 | LINEAR | 0.XX ±0.1 | ECN LS06-0174 |
| Chr P.LEGARE | 2006/11/14 | 0° ±2° | 0.XXX ±0.05 | |
| Appr P.LEGARE | 2006/11/14 | Product family | | Spec.ref |
| FCI | | SUB MALE DMW EUROPE foot print mixed power right angled solder | | Rev. A |
| catalog no | | C01-8637-1750 | | sheet 3 of 9 |

1 2 3 4 5 6 7 8

5W1

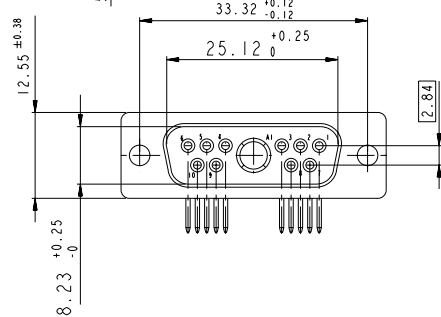
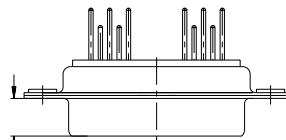
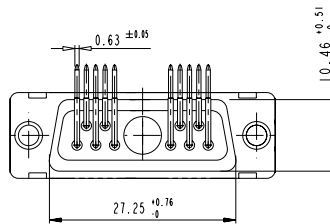
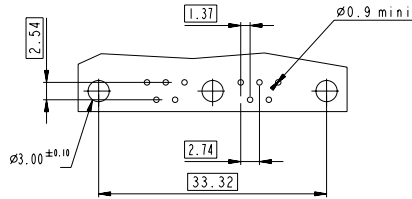
LAYOUT AND CONNECTOR DIMENSIONS



Floating signal contacts

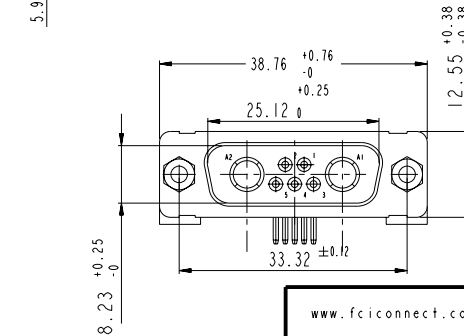
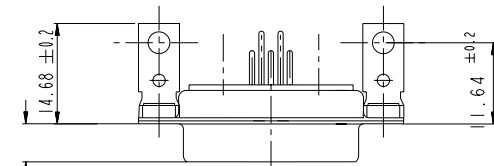
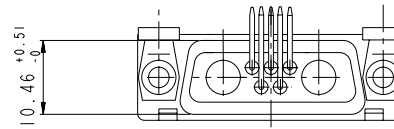
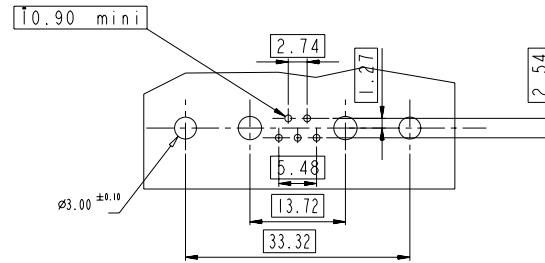
11W1

LAYOUT AND CONNECTOR DIMENSIONS



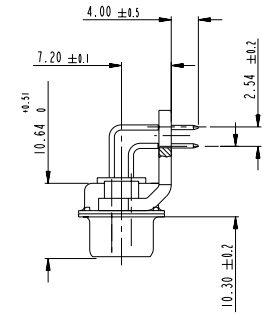
7W2

LAYOUT AND CONNECTOR DIMENSIONS



SIDE VIEW FOR ALL LAYOUTS

E-A-B-C

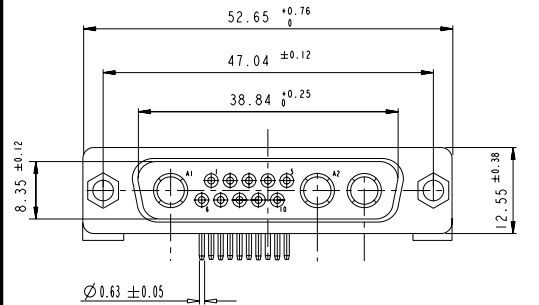
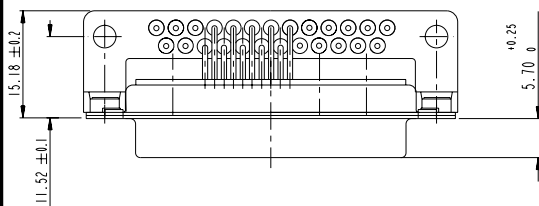
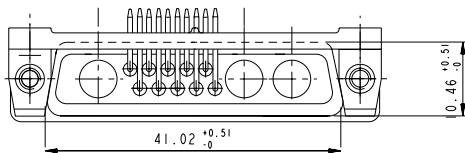
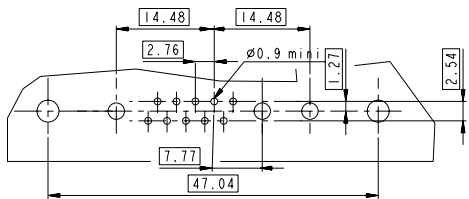


Copyright fci

| | | | | |
|--------------------|------------|---|-----------------------------------|---|
| www.fciconnect.com | | surface - ISO 1302 ✓ | tolerance std ISO 406 ISO 1101 | projection mm |
| | | TOLERANCES UNLESS OTHERWISE SPECIFIED | | |
| Dr M. PESSON | 2006/11/14 | ANGULAR | 0.X ±0.3 | size A2 Scale 2:1 |
| Eng M. PESSON | 2006/11/14 | LINEAR | 0.XX ±0.1 | ECN LS06-0174 |
| Chr P. LEGARE | 2006/11/14 | 0° ±2° | 0.XXX ±0.05 | Spec ref |
| Appr P. LEGARE | 2006/11/14 | Product family | | |
| | | TITLE SUB MALE DMW EUROPE foot print mixed power right angled solder catalog no | | Rev. A Part no C01-8637-1750 sheet 4 of 9 |

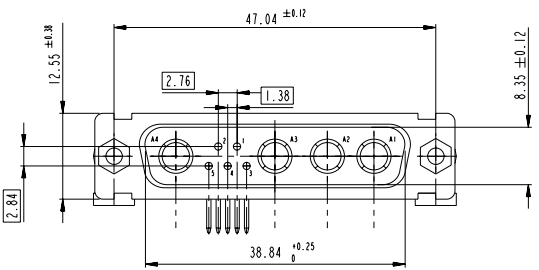
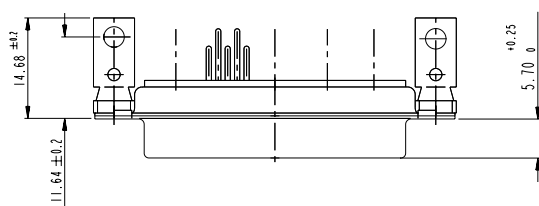
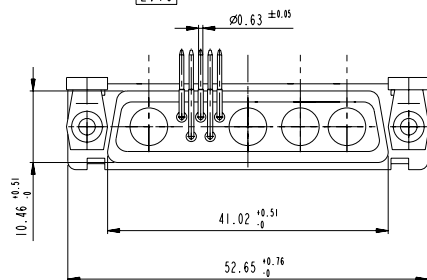
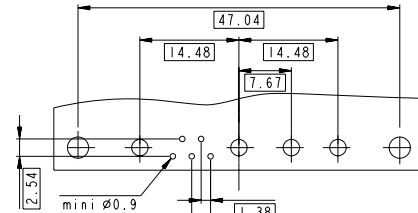
13W3

LAYOUT AND CONNECTOR DIMENSIONS



9W4

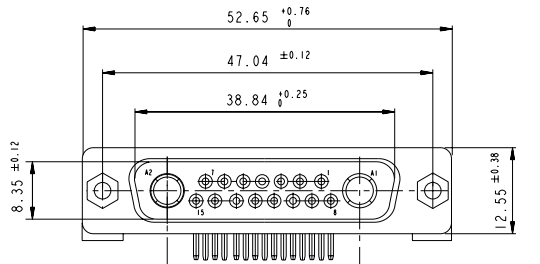
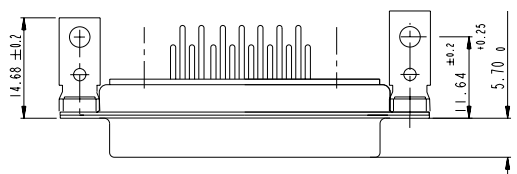
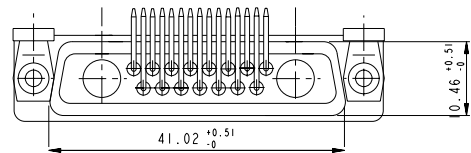
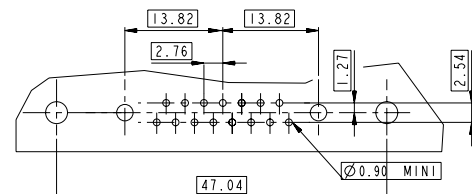
LAYOUT AND CONNECTOR DIMENSIONS



Floating signal contacts

17W2

LAYOUT AND CONNECTOR DIMENSIONS

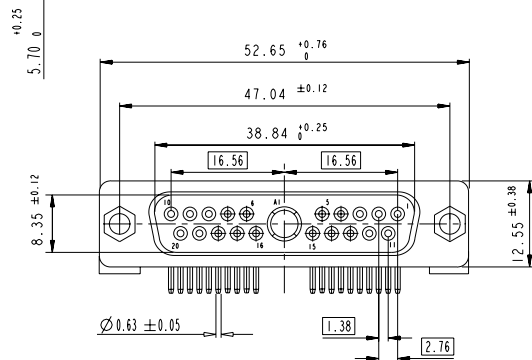
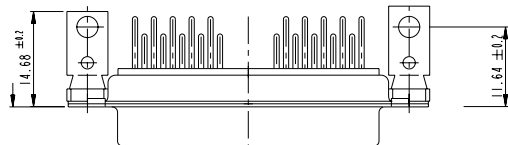
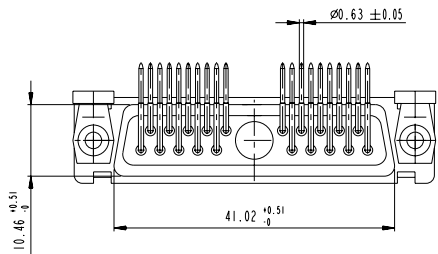
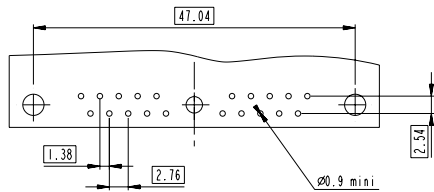


| | | | | | |
|--|------------|---------------------------------------|----------------------------------|-----------------------|-----------|
| www.fciconnect.com | | surface - ISO 1302 | tolerance std - ISO 406 ISO 1101 | projection | mm |
| | | TOLERANCES UNLESS OTHERWISE SPECIFIED | | | |
| Dr M. PESSON | 2006/11/14 | ANGULAR | 0.xx ±0.3 | size | Scale |
| Eng M. PESSON | 2006/11/14 | LINEAR | 0.xx ±0.1 | size | A2 2:1 |
| Chr P. LEGARE | 2006/11/14 | 0° ±2' | 0.xxx ±0.05 | ECN | LS06-0174 |
| Appr P. LEGARE | 2006/11/14 | Product family | | Spec ref | |
| SUB MALE DMW EUROPE foot print mixed power right angled solder catalog no | | part no C01-8637-1750 | Rev. A | CUSTOMER sheet 5 of 9 | |

Copyright fci.

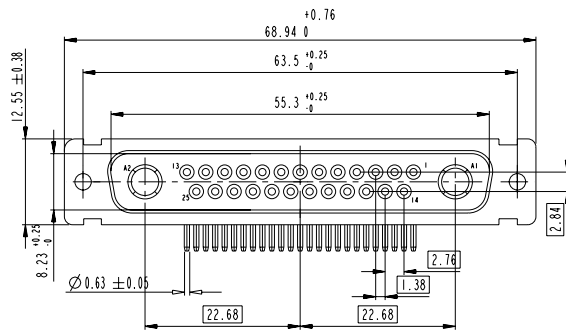
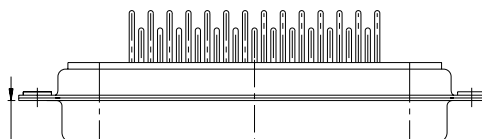
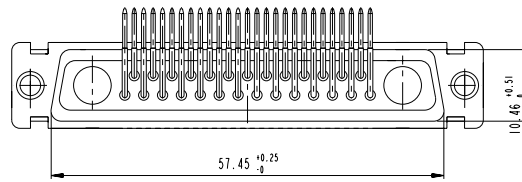
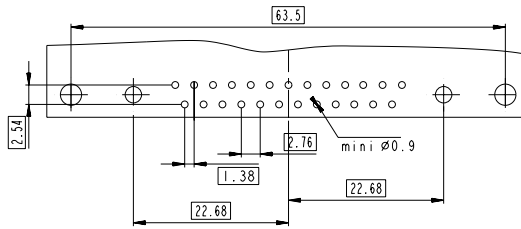
21W1

LAYOUT AND CONNECTOR DIMENSIONS



27W2

LAYOUT AND CONNECTOR DIMENSIONS

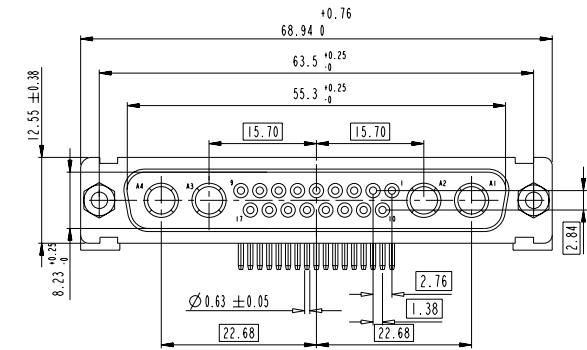
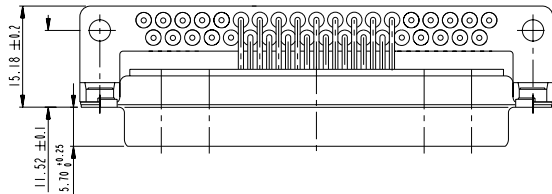
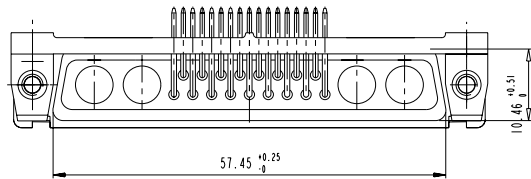
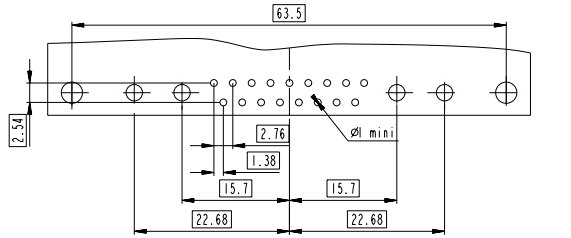


Copyright fci.

| | | | | |
|--------------------|------------|---|-----------------------------------|--------------------------------|
| www.fciconnect.com | | surface - ISO 1302 | tolerance std ISO 406 ISO 1101 | projection mm |
| | | TOLERANCES UNLESS OTHERWISE SPECIFIED | | |
| Dr M. PESSON | 2006/11/14 | ANGULAR | 0.xx ±0.3 | size A2 |
| Eng M. PESSON | 2006/11/14 | LINEAR | 0.xx ±0.1 | Scale 2:1 |
| Chr P. LEGARE | 2006/11/14 | 0° ±2° | 0.xxx ±0.05 | ECN LS06-0174 |
| Appr P. LEGARE | 2006/11/14 | Product family | - | Spec ref |
| | | SUB MALE DMW EUROPE foot print mixed power right angled solder | | ang no C01-8637-1750 Rev. A |
| catalog no | | CUSTOMER | | sheet 6 of 9 |

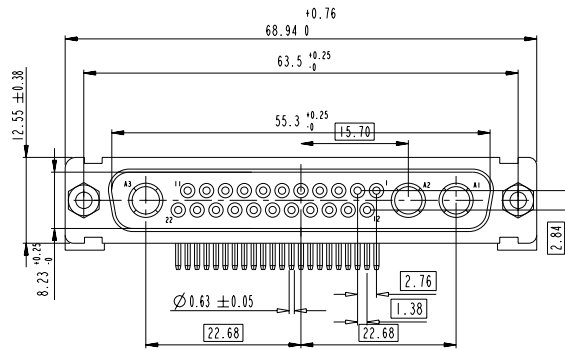
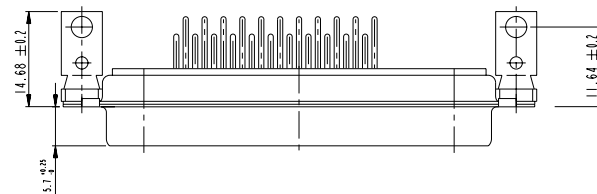
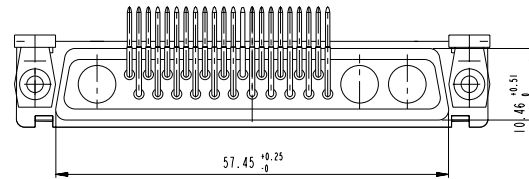
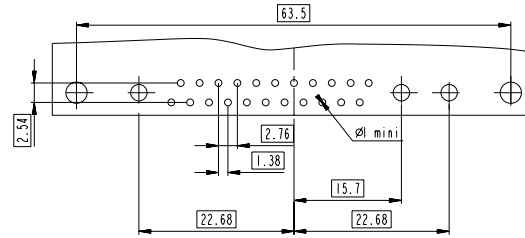
21WA4

LAYOUT AND CONNECTOR DIMENSIONS



25W3

LAYOUT AND CONNECTOR DIMENSIONS

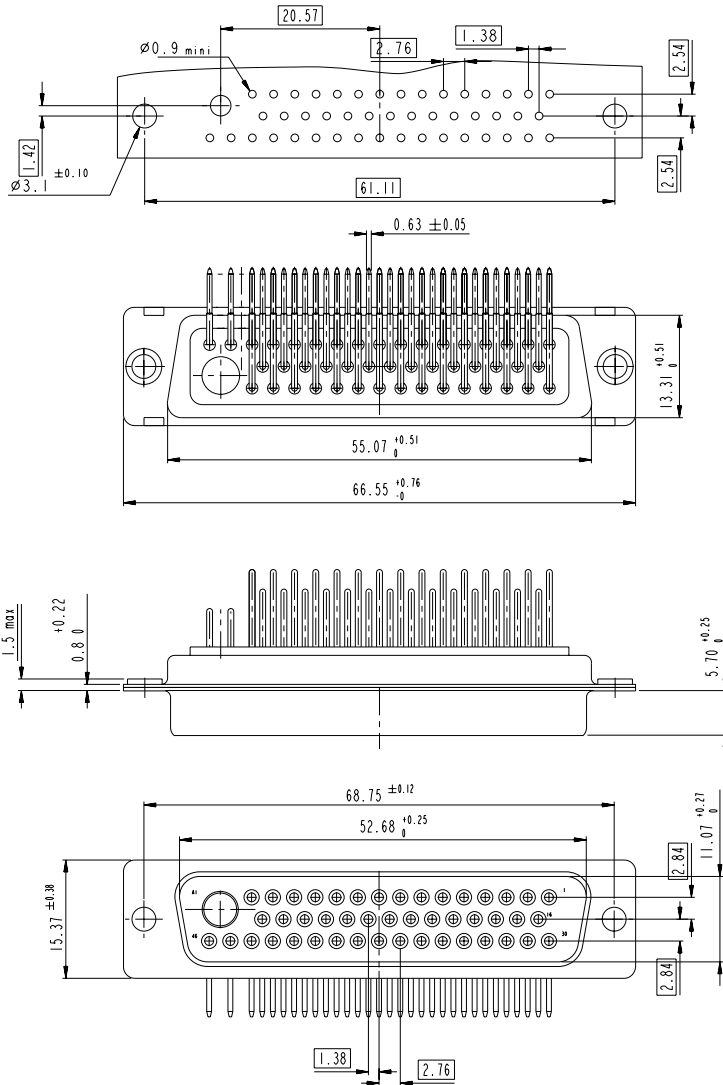


Copyright fci.

| | | | | |
|---|------------|---------------------------------------|-----------------------------------|--------------------------|
| www.fciconnect.com | | surface - ISO 1302 ✓ | tolerance std ISO 406 ISO 1101 | projection mm |
| | | TOLERANCES UNLESS OTHERWISE SPECIFIED | | |
| Dr M. PESSON | 2006/11/14 | ANGULAR | 0.X ±0.3 | size A2 Scale 2:1 |
| Eng M. PESSON | 2006/11/14 | LINEAR | 0.XX ±0.1 | ECN LS06-0174 |
| Chr P. LEGARE | 2006/11/14 | 0° ±2° | 0.XXX ±0.05 | Spec ref |
| Appr P. LEGARE | 2006/11/14 | Product family | | |
| SUB MALE DMW EUROPE foot print mixed power right angled solder catalog no | | ang no C01-8637-1750 | Rev. A | CUSTOMER sheet 7 of 9 |

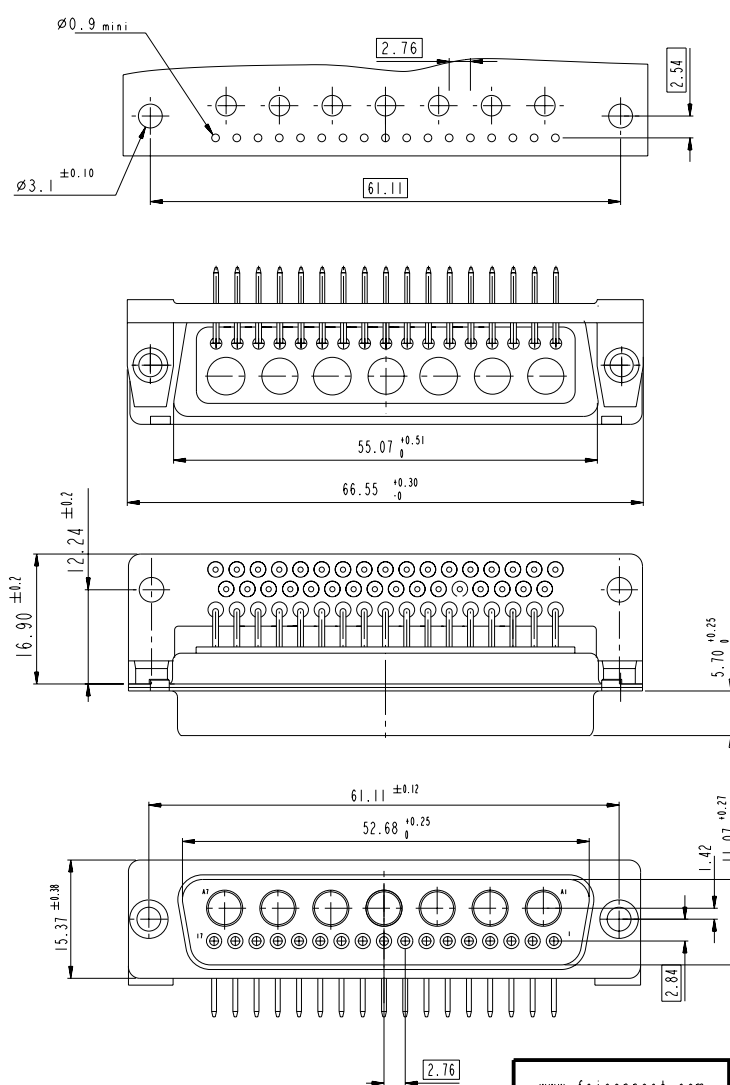
47W1

LAYOUT AND CONNECTOR DIMENSIONS



24W7

LAYOUT AND CONNECTOR DIMENSIONS

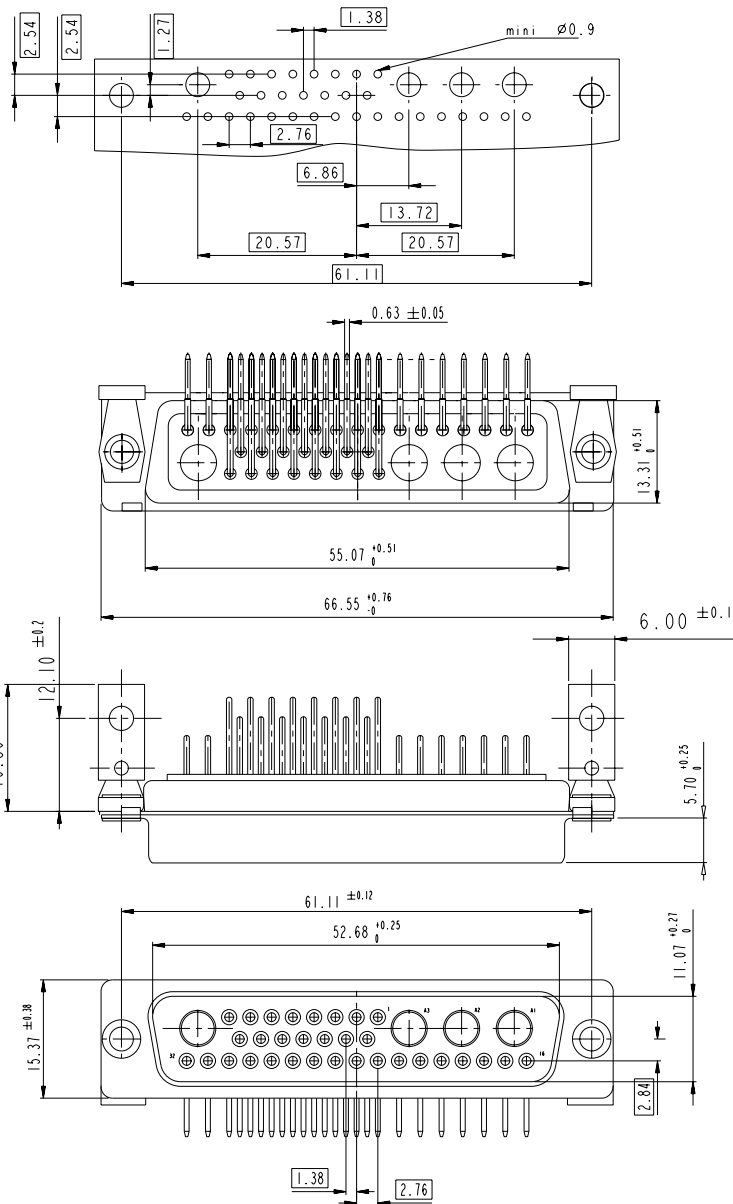


Copyright fci. fci

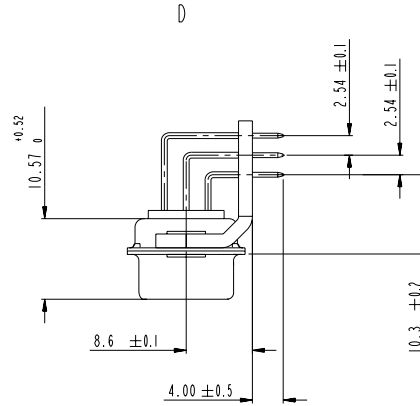
| | | | | | |
|--------------------|------------|---------------------------------------|------------------|---------------|-----------|
| www.fciconnect.com | | surface - | tolerance std | projection | mm |
| | | ISO 1302 | ISO 406 ISO 1101 | | |
| | | TOLERANCES UNLESS OTHERWISE SPECIFIED | | | |
| Dr M. PESSON | 2006/11/14 | ANGULAR | 0.X ±0.3 | size | Scale |
| Eng M. PESSON | 2006/11/14 | LINEAR | 0.XX ±0.1 | A2 | 2:1 |
| Chr P. LEGARE | 2006/11/14 | 0° ±2° | 0.XXX ±0.05 | ECN | LS06-0174 |
| Appr P. LEGARE | 2006/11/14 | Product family | | Spec ref | |
| | | SUB MALE DMW EUROPE foot print | | ang no | Rev. |
| | | mixed power right angled solder | | C01-8637-1750 | A |
| catalog no | | CUSTOMER | | sheet 8 of 9 | |

36W4

LAYOUT AND CONNECTOR DIMENSIONS



SIDE VIEW FOR ALL LAYOUTS



Copyright fci. fci

| | | | | |
|--|------------|---------------------------------------|-----------------------------------|------------------|
| www.fciconnect.com | | surface ISO 1302 | tolerance std ISO 406 ISO 1101 | projection mm |
| | | TOLERANCES UNLESS OTHERWISE SPECIFIED | | |
| Dr M. PESSON | 2006/11/14 | ANGULAR | 0.X ± 0.3 | size A2 |
| Eng M. PESSON | 2006/11/14 | LINEAR | 0.XX ± 0.1 | Scale 2:1 |
| Chr P. LEGARE | 2006/11/14 | 0° ± 2° | 0.XXX ± 0.05 | ECN LS06-0174 |
| Appr P. LEGARE | 2006/11/14 | Product family | - | Spec ref |
| SUB MALE 0MM EUROPE foot print mixed power right angled solder catalog no | | title C01-8637-1750 customer | Rev. A | sheet 9 of 9 |



Компания «ЭлектроПласт» предлагает заключение долгосрочных отношений при поставках импортных электронных компонентов на взаимовыгодных условиях!

Наши преимущества:

- Оперативные поставки широкого спектра электронных компонентов отечественного и импортного производства напрямую от производителей и с крупнейших мировых складов;
- Поставка более 17-ти миллионов наименований электронных компонентов;
- Поставка сложных, дефицитных, либо снятых с производства позиций;
- Оперативные сроки поставки под заказ (от 5 рабочих дней);
- Экспресс доставка в любую точку России;
- Техническая поддержка проекта, помощь в подборе аналогов, поставка прототипов;
- Система менеджмента качества сертифицирована по Международному стандарту ISO 9001;
- Лицензия ФСБ на осуществление работ с использованием сведений, составляющих государственную тайну;
- Поставка специализированных компонентов (Xilinx, Altera, Analog Devices, Intersil, Interpoint, Microsemi, Aeroflex, Peregrine, Syfer, Eurofarad, Texas Instrument, Miteq, Cobham, E2V, MA-COM, Hittite, Mini-Circuits, General Dynamics и др.);

Помимо этого, одним из направлений компании «ЭлектроПласт» является направление «Источники питания». Мы предлагаем Вам помощь Конструкторского отдела:

- Подбор оптимального решения, техническое обоснование при выборе компонента;
- Подбор аналогов;
- Консультации по применению компонента;
- Поставка образцов и прототипов;
- Техническая поддержка проекта;
- Защита от снятия компонента с производства.



Как с нами связаться

Телефон: 8 (812) 309 58 32 (многоканальный)

Факс: 8 (812) 320-02-42

Электронная почта: org@eplast1.ru

Адрес: 198099, г. Санкт-Петербург, ул. Калинина, дом 2, корпус 4, литера А.