

REFERENCE SPECIFICATIONS

-NFC 93425 (in compliance with HE 507)

PHYSICAL CHARACTERISTICS

- INSULATOR MATERIAL: THERMOPLASTIC UL94V0
- CONTACT MATERIAL: BRASS  
GOLD OVER NICKEL
- ACCESSORIES: STEEL FOR BRACKETS  
Cadmium plated, yellow passivation
- SHELLS: STEEL  
Cadmium plated, yellow passivation

ELECTRICAL CHARACTERISTICS

- NOMINAL CURRENT: 7.5A (SIGNAL CONTACT)
- CONTACT RESISTANCE: <=7.3 m Ohms(SIGNAL)
- CONTACT/CONTACT : >=1000 V
- CONTACT/GROUND : >=1200 V
- INSULATION RESISTANCE: >=5000 MOhms

ENVIRONMENTAL CHARACTERISTICS

- CLIMATIC CATEGORY: 55/125/21  
TEMPERATURE RANGE -55°C TO +125°C  
DAMP HEAT STEADY STATE 56 DAYS  
SALT SPRAY 48 HOURS

# DBML13W3P500MN

Series

Shell size: **E A B C D**  
(see sheet 3)

**M** :Characteristics for the DM serie

Front accessory definition (see sheet 2)

- blank** :without accessory
- L** :threaded insert M3
- O** :threaded insert UNC 4-40
- V** :female screw UNC 4-40

Layout of contacts (see sheet 3)

Contacts

**P** :Pin

Termination type

**5** Right angle/Europe standard

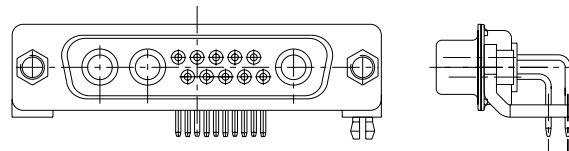
Plating

- 00** Right angle 500 matings/unmatings
- 43** Right angle 500 matings/unmatings for harsh environment

PCB accessories definition(see sheet 2)

- blank** :Plastic brackets
- C** :Without brackets
- M** :Metal brackets

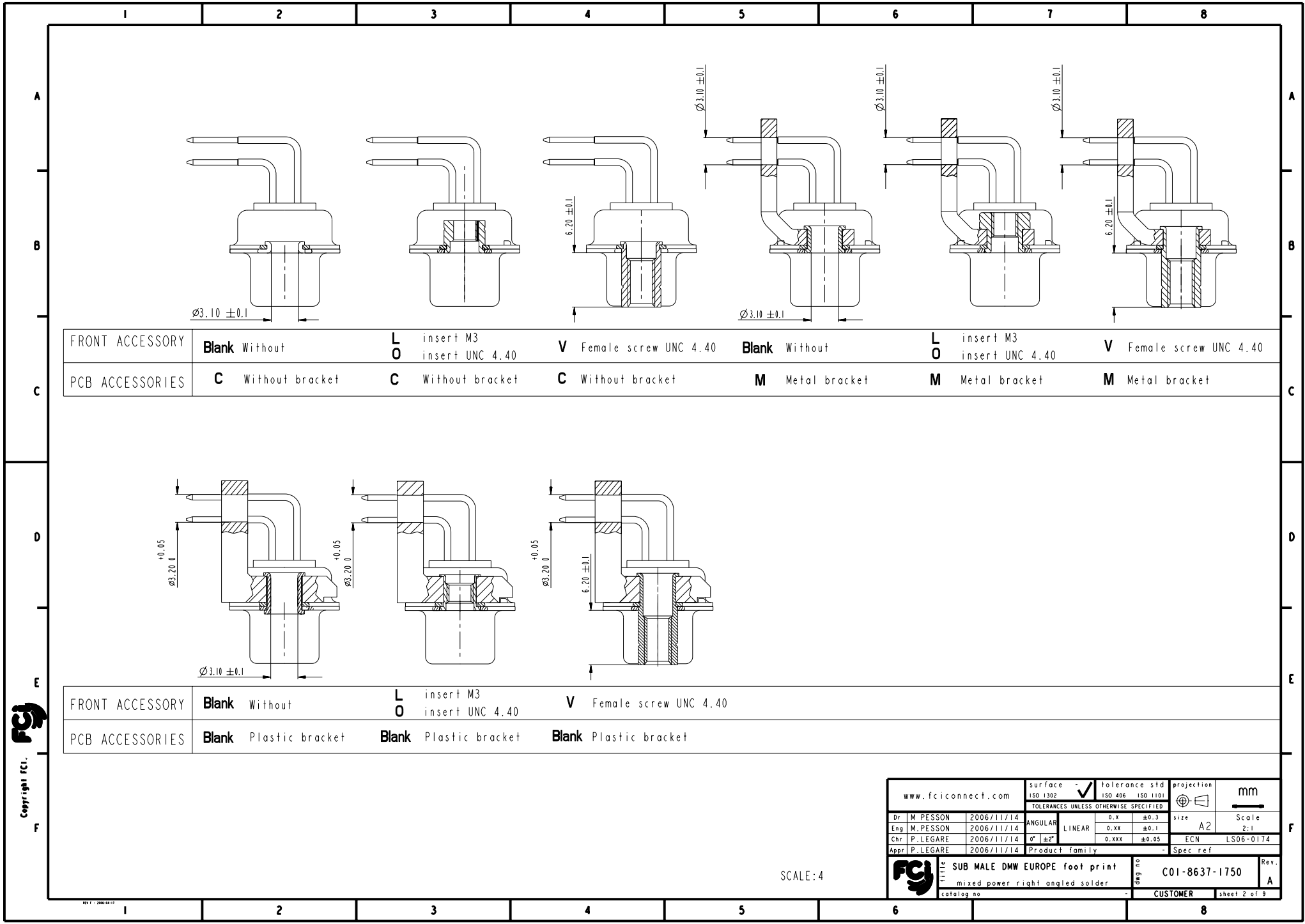
**N** :Obligatory indication for HE 507



13W3 FOR EXAMPLE

www.fciconnect.com				surface	tolerance std	projection	mm	
				ISO 1302	ISO 406 ISO 1101	mm		
				TOLERANCES UNLESS OTHERWISE SPECIFIED				
Dr	M. PESSON	2006/11/14	ANGULAR	0.X	±0.3	size	A2 Scale 2:1	
Eng	M. PESSON	2006/11/14	LINEAR	0.xx	±0.1	ECN	LS06-0174	
Chr	P. LEGARE	2006/11/14	0° ±2°	0.xxx	±0.05	Product family	Spec ref	
Appr	P. LEGARE	2006/11/14						
SUB MALE DMW EUROPE foot print mixed power right angled solder catalog no				ang no	C01-8637-1750		Rev.	A
				CUSTOMER		sheet 1 of 9		

Copyright FCI



FRONT ACCESSORY	<b>Blank</b> Without	<b>L</b> insert M3 <b>O</b> insert UNC 4.40	<b>V</b> Female screw UNC 4.40	<b>Blank</b> Without	<b>L</b> insert M3 <b>O</b> insert UNC 4.40	<b>V</b> Female screw UNC 4.40
PCB ACCESSORIES	<b>C</b> Without bracket	<b>C</b> Without bracket	<b>C</b> Without bracket	<b>M</b> Metal bracket	<b>M</b> Metal bracket	<b>M</b> Metal bracket

FRONT ACCESSORY	<b>Blank</b> Without	<b>L</b> insert M3 <b>O</b> insert UNC 4.40	<b>V</b> Female screw UNC 4.40
PCB ACCESSORIES	<b>Blank</b> Plastic bracket	<b>Blank</b> Plastic bracket	<b>Blank</b> Plastic bracket

www.fciconnect.com		surface - ISO 1302 ✓	tolerance std ISO 406 ISO 1101	projection mm
		TOLERANCES UNLESS OTHERWISE SPECIFIED		
Dr	M. PESSON	2006/11/14	ANGULAR	0.x ±0.3
Eng	M. PESSON	2006/11/14	LINEAR	0.xx ±0.1
Chr	P. LEGARE	2006/11/14	0° ±2°	0.xxx ±0.05
Appr	P. LEGARE	2006/11/14	Product family	- Spec ref
TITLE SUB MALE DMW EUROPE foot print		drawing no C01-8637-1750		Rev. A
catalog no		CUSTOMER sheet 2 of 9		

SCALE: 4

Copyright fci. FCI

1 2 3 4 5 6 7 8

A  
B  
C  
D  
E  
F

shell size LAYOUTS  
xWx

PART NUMBER	MATINGS/ UNMATINGS	FRONT ACCESSORY	PCB ACCESSORIES
D*MxWxP500CN	500	without	without
D*MLxWxP500CN	500	insert M3	without
D*MOxWxP500CN	500	insert UNC 4.40	without
D*MVxWxP500CN	500	female screw UNC 4.40	without
D*MxWxP500MN	500	without	metal bracket
D*MLxWxP500MN	500	insert M3	metal bracket
D*MOxWxP500MN	500	insert UNC 4.40	metal bracket
D*MVxWxP500MN	500	female screw UNC 4.40	metal bracket
D*MxWxP500N	500	without	plastic bracket
D*MLxWxP500N	500	insert M3	plastic bracket
D*MOxWxP500N	500	insert UNC 4.40	plastic bracket
D*MVxWxP500N	500	female screw UNC 4.40	plastic bracket

E 5W1  
A 11W1  
A 7W2  
B 21W1  
B 17W2  
B 13W3  
B 9W4  
C 25W3  
C 21WA4  
C 27W2  
D 47W1  
D 24W7  
D 36W4

PART NUMBER	MATINGS/ UNMATINGS	FRONT ACCESSORY	PCB ACCESSORIES
D*MxWxP543CN	500	without	without
D*MLxWxP543CN	500	insert M3	without
D*MOxWxP543CN	500	insert UNC 4.40	without
D*MVxWxP543CN	500	female screw UNC 4.40	without
D*MxWxP543MN	500	without	metal bracket
D*MLxWxP543MN	500	insert M3	metal bracket
D*MOxWxP543MN	500	insert UNC 4.40	metal bracket
D*MVxWxP543MN	500	female screw UNC 4.40	metal bracket
D*MxWxP543N	500	without	plastic bracket
D*MLxWxP543N	500	insert M3	plastic bracket
D*MOxWxP543N	500	insert UNC 4.40	plastic bracket
D*MVxWxP543N	500	female screw UNC 4.40	plastic bracket

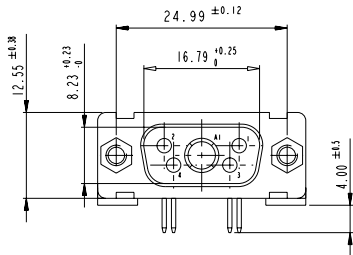
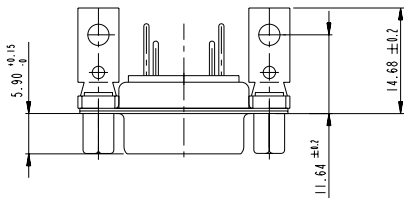
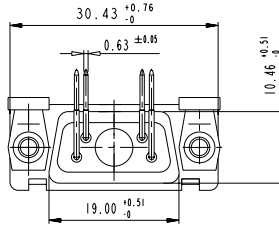
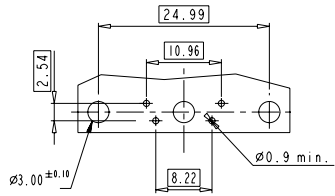
Copyright fci.

www.fciconnect.com		surface - ISO 1302	tolerance std ISO 406 ISO 1101	projection mm
		TOLERANCES UNLESS OTHERWISE SPECIFIED		
Dr M.PESSON	2006/11/14	ANGULAR	0.X ±0.3	size A2 Scale 2:1
Eng M.PESSON	2006/11/14	LINEAR	0.XX ±0.1	ECN LS06-0174
Chr P.LEGARE	2006/11/14	0° ±2°	0.XXX ±0.05	
Appr P.LEGARE	2006/11/14	Product family		Spec.ref
SUB MALE DMW EUROPE foot print		ang no	C01-8637-1750	
mixed power right angled solder		Rev.	A	
catalog no		CUSTOMER	sheet 3 of 9	

1 2 3 4 5 6 7 8

5W1

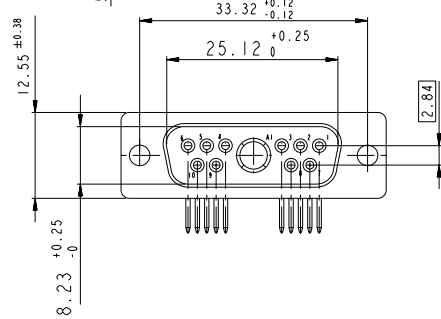
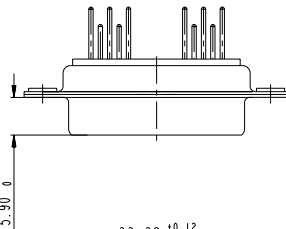
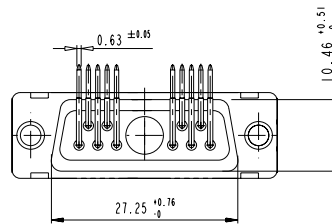
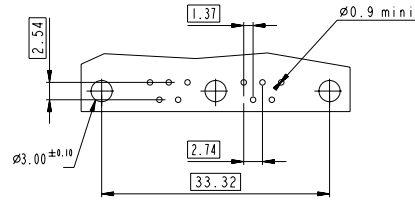
LAYOUT AND CONNECTOR DIMENSIONS



Floating signal contacts

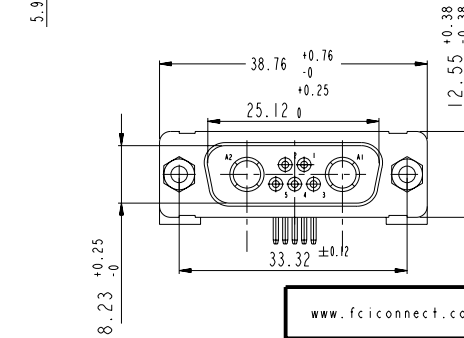
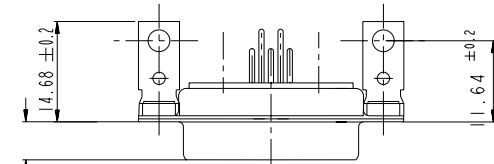
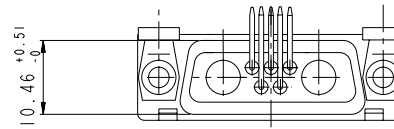
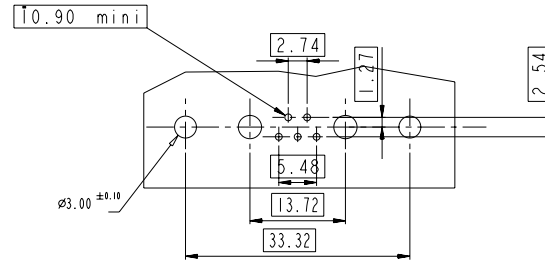
11W1

LAYOUT AND CONNECTOR DIMENSIONS



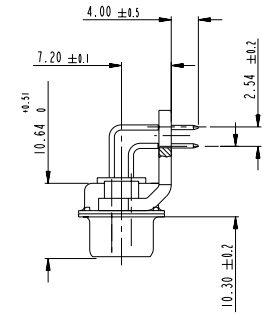
7W2

LAYOUT AND CONNECTOR DIMENSIONS



SIDE VIEW FOR ALL LAYOUTS

E-A-B-C

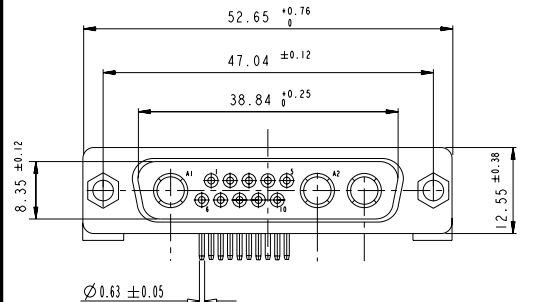
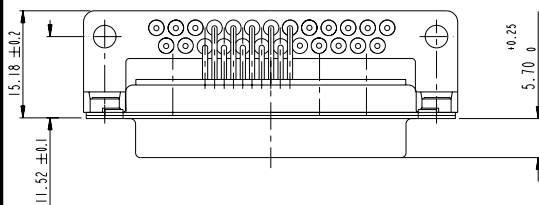
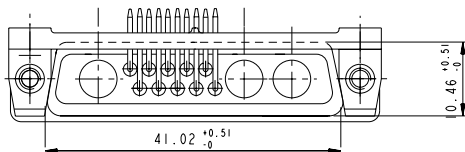
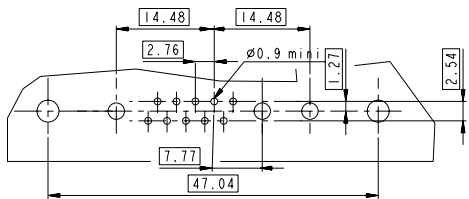


Copyright fci. FCI

www.fciconnect.com		surface - ISO 1302 ✓	tolerance std ISO 406 ISO 1101	projection mm
		TOLERANCES UNLESS OTHERWISE SPECIFIED		
Dr M. PESSON	2006/11/14	ANGULAR	0.X ±0.3	size A2 Scale 2:1
Eng M. PESSON	2006/11/14	LINEAR	0.XX ±0.1	ECN LS06-0174
Chr P. LEGARE	2006/11/14	0° ±2°	0.XXX ±0.05	Spec ref
Appr P. LEGARE	2006/11/14	Product family		
<b>TITLE</b> SUB MALE DMW EUROPE foot print mixed power right angled solder catalog no		<b>ang no</b> C01-8637-1750	<b>Rev.</b> A	<b>CUSTOMER</b> sheet 4 of 9

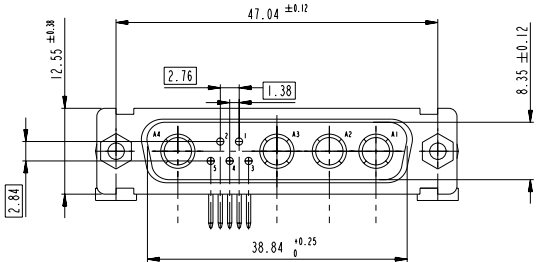
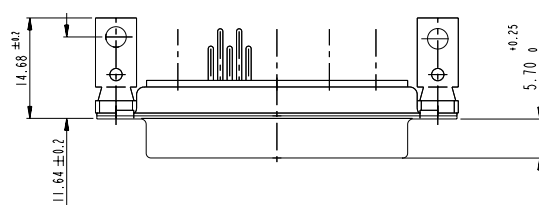
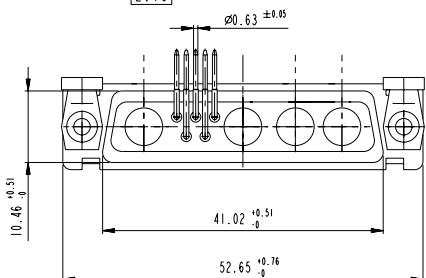
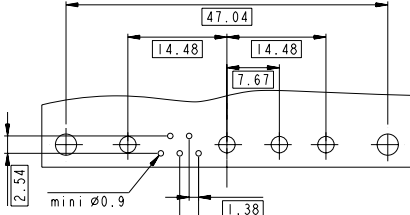
13W3

LAYOUT AND CONNECTOR DIMENSIONS



9W4

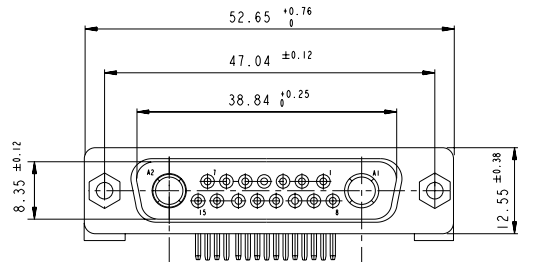
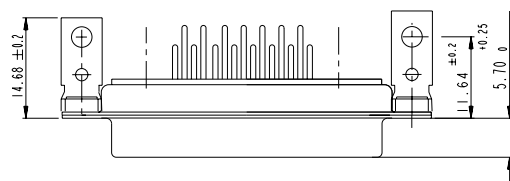
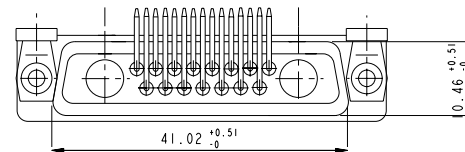
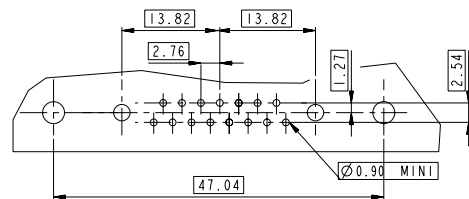
LAYOUT AND CONNECTOR DIMENSIONS



Floating signal contacts

17W2

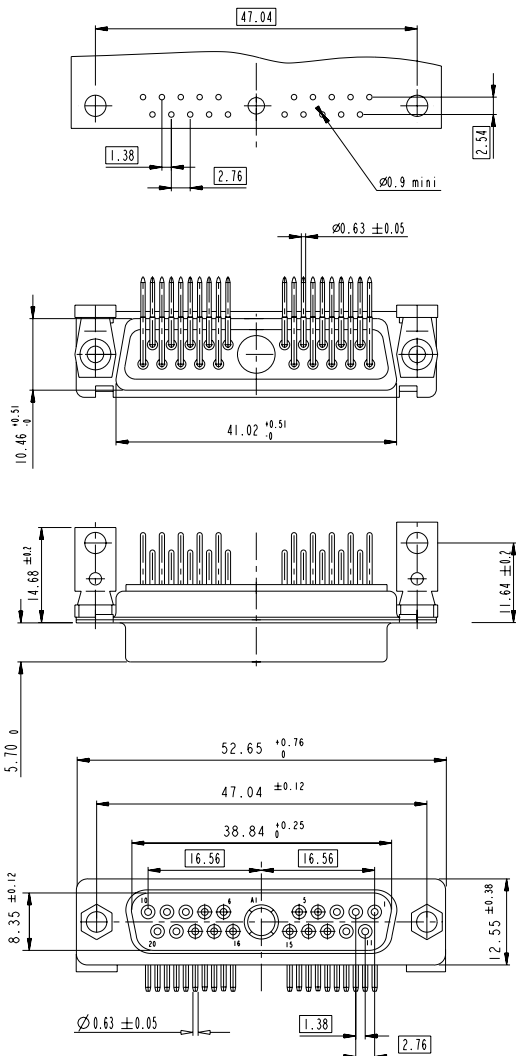
LAYOUT AND CONNECTOR DIMENSIONS



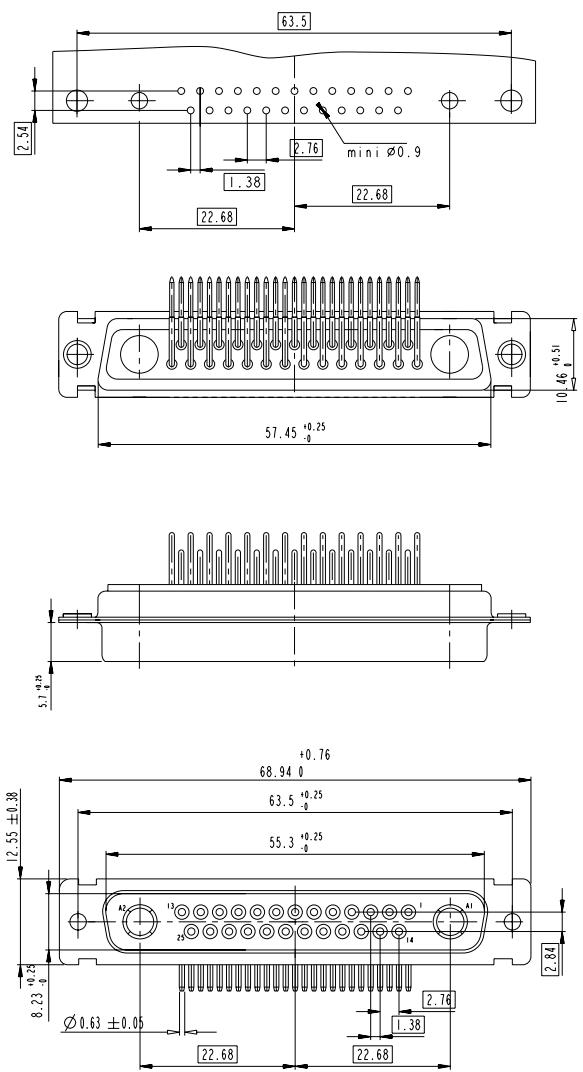
Copyright fci.

www.fciconnect.com		surface - ISO 1302	tolerance std - ISO 406 ISO 1101	projection	mm
		TOLERANCES UNLESS OTHERWISE SPECIFIED			
Dr M. PESSON	2006/11/14	ANGULAR	0.xx	±0.3	size A2 Scale 2:1
Eng M. PESSON	2006/11/14	LINEAR	0.xx	±0.1	ECN LS06-0174
Chr P. LEGARE	2006/11/14	0° ±2°	0.xxx	±0.05	Spec ref
Appr P. LEGARE	2006/11/14	Product family			
SUB MALE DMW EUROPE foot print		cat no	C01-8637-1750		Rev. A
mixed power right angled solder		CUSTOMER		sheet 5 of 9	
catalog no					

21W1  
LAYOUT AND CONNECTOR DIMENSIONS



27W2  
LAYOUT AND CONNECTOR DIMENSIONS

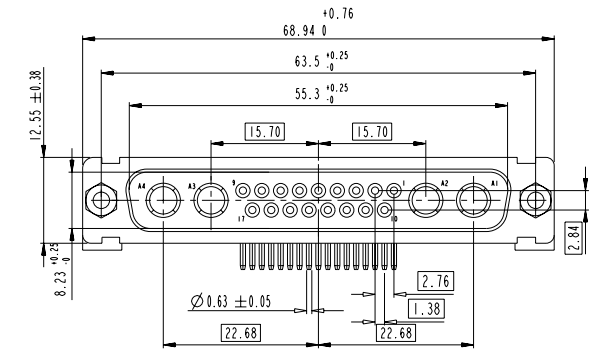
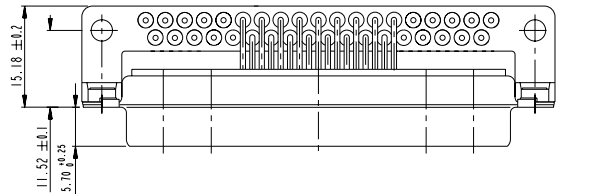
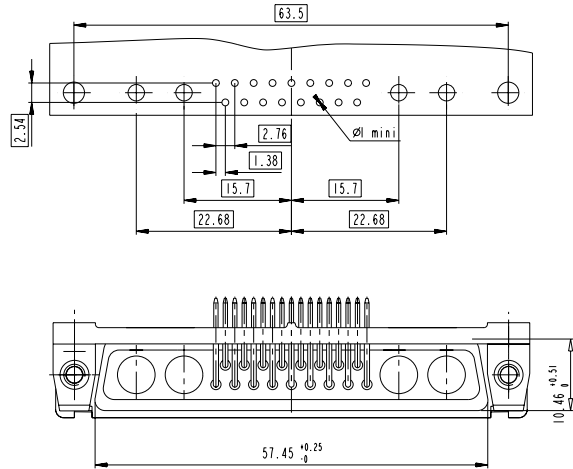


www.fciconnect.com		surface - ISO 1302	tolerance std ISO 406 ISO 1101	projection mm
		TOLERANCES UNLESS OTHERWISE SPECIFIED		
Dr M. PESSON	2006/11/14	ANGULAR	0.X ±0.3	size A2
Eng M. PESSON	2006/11/14	LINEAR	0.XX ±0.1	Scale 2:1
Chr P. LEGARE	2006/11/14	0° ±2°	0.XXX ±0.05	ECN LS06-0174
Appr P. LEGARE	2006/11/14	Product family		Spec ref
SUB MALE DMW EUROPE foot print		ang no C01-8637-1750		Rev. A
mixed power right angled solder		CUSTOMER		sheet 6 of 9
catalog no				

Copyright fci.

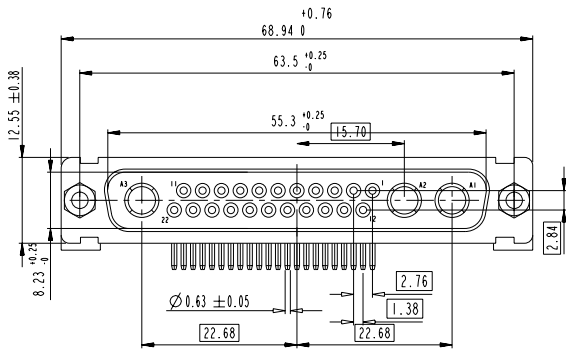
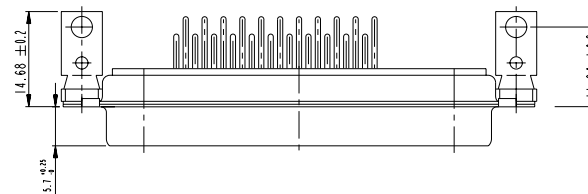
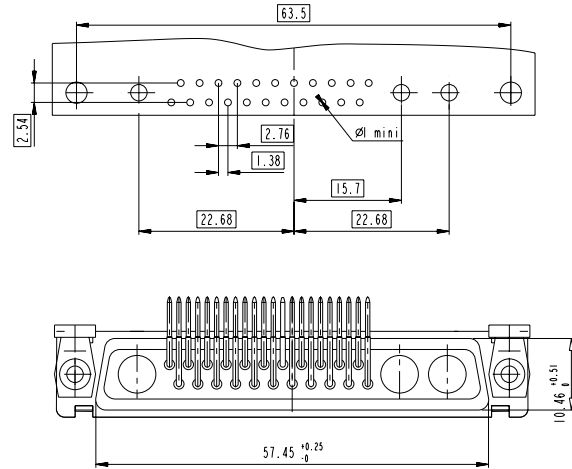
# 21WA4

## LAYOUT AND CONNECTOR DIMENSIONS



# 25W3

## LAYOUT AND CONNECTOR DIMENSIONS

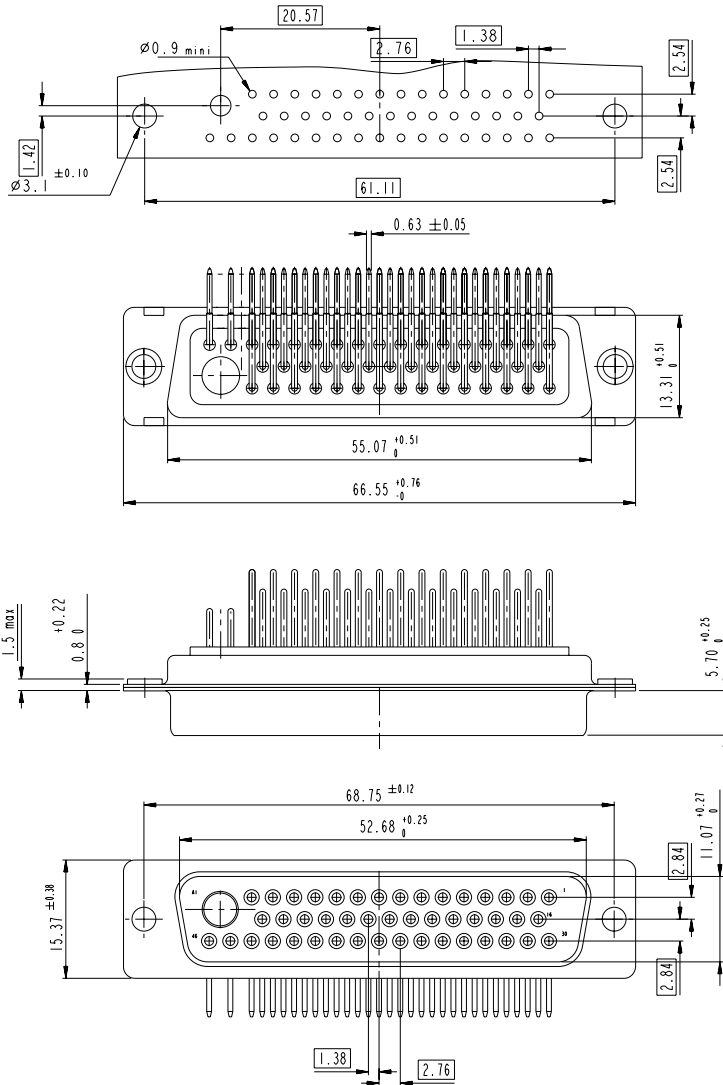


Copyright fci.

www.fciconnect.com		surface - ISO 1302	tolerance std ISO 406 ISO 1101	projection mm
		TOLERANCES UNLESS OTHERWISE SPECIFIED		
Dr M. PESSON	2006/11/14	ANGULAR	0.X ±0.3	size A2 Scale 2:1
Eng M. PESSON	2006/11/14	LINEAR	0.XX ±0.1	ECN LS06-0174
Chr P. LEGARE	2006/11/14	0° ±2°	0.XXX ±0.05	Spec ref
Appr P. LEGARE	2006/11/14	Product family		
SUB MALE DMW EUROPE foot print mixed power right angled solder catalog no		ang no C01-8637-1750 Rev. A	CUSTOMER sheet 7 of 9	

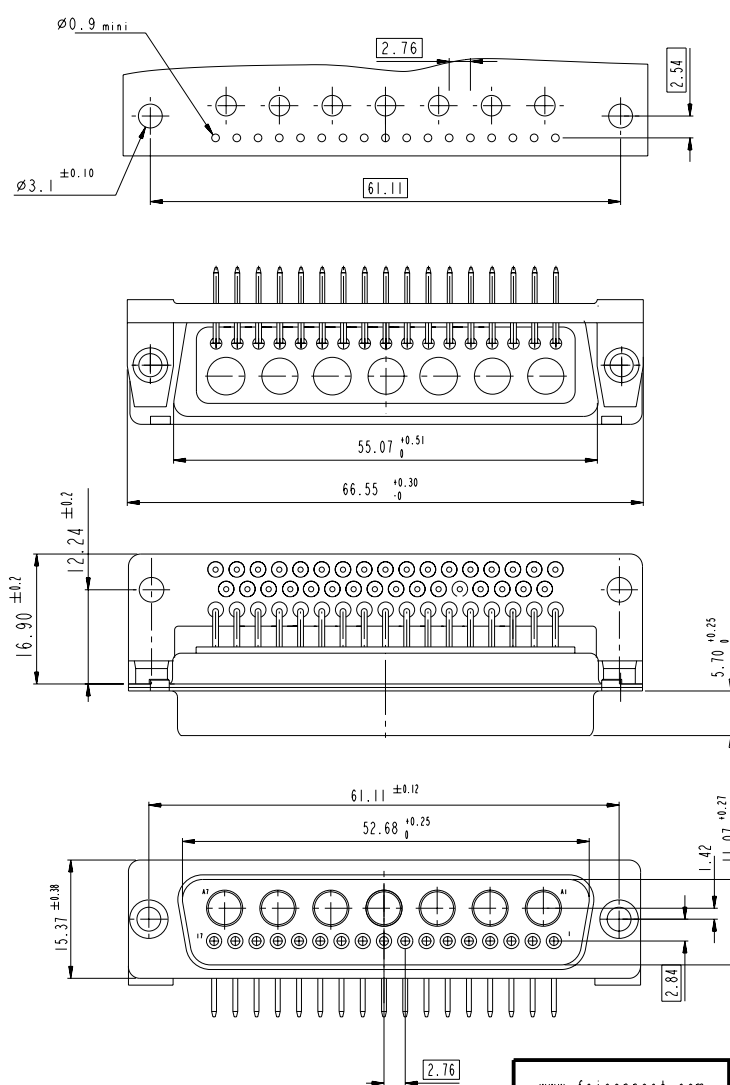
47W1

LAYOUT AND CONNECTOR DIMENSIONS



24W7

LAYOUT AND CONNECTOR DIMENSIONS



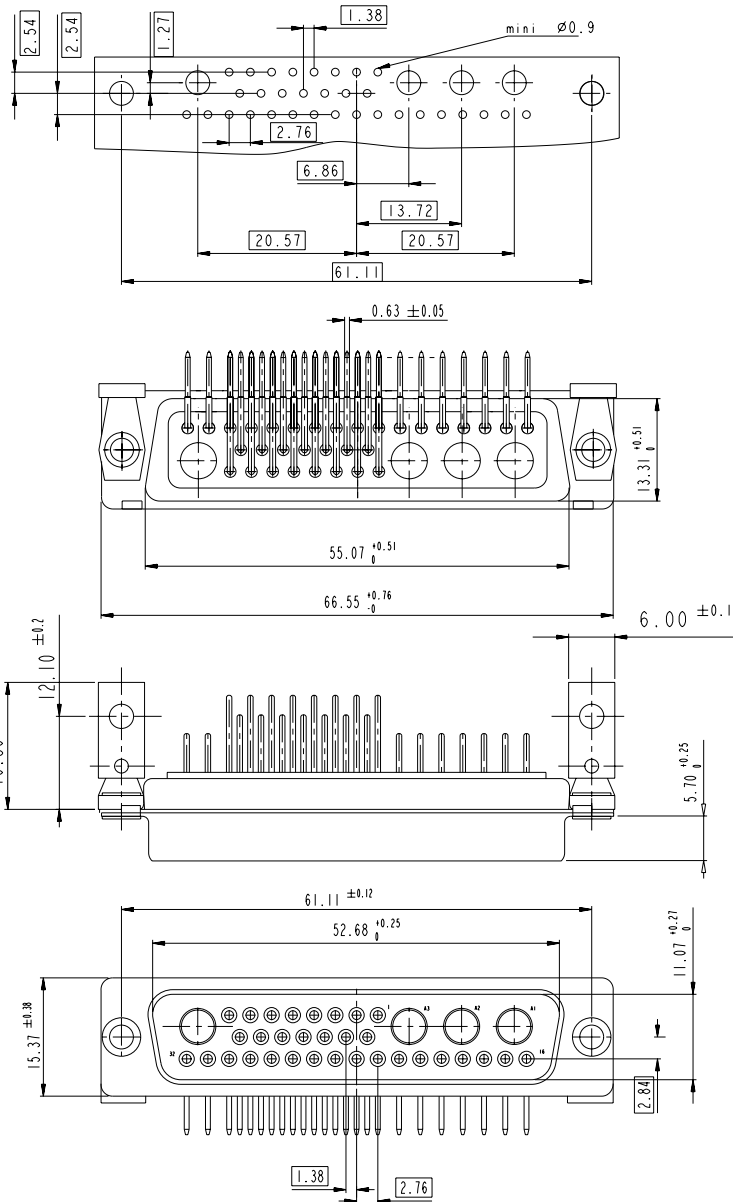
Copyright fci. fci

www.fciconnect.com		surface -	tolerance std	projection	mm
		ISO 1302	ISO 406 ISO 1101		
		TOLERANCES UNLESS OTHERWISE SPECIFIED			
Dr	M. PESSON	2006/11/14	ANGULAR	0.X ±0.3	size A2 Scale 2:1
Eng	M. PESSON	2006/11/14	LINEAR	0.XX ±0.1	
Chr	P. LEGARE	2006/11/14	0° ±2°	0.XXX ±0.05	ECN LS06-0174
Appr	P. LEGARE	2006/11/14	Product family		Spec ref
		SUB MALE DMW EUROPE foot print		ang no	Rev.
		mixed power right angled solder		C01-8637-1750	A
catalog no		CUSTOMER		sheet 8 of 9	

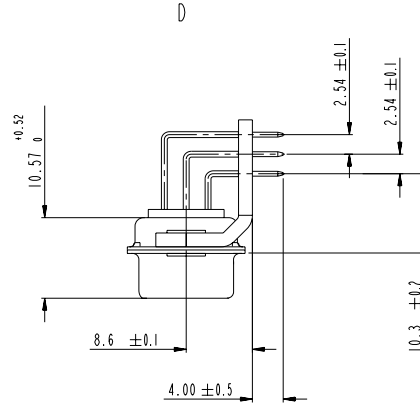


36W4

LAYOUT AND CONNECTOR DIMENSIONS



SIDE VIEW FOR ALL LAYOUTS



Copyright fci. **fci**

www.fciconnect.com		surface - ISO 1302 ✓	tolerance std ISO 406 ISO 1101	projection mm
		TOLERANCES UNLESS OTHERWISE SPECIFIED		
Dr M. PESSON	2006/11/14	ANGULAR	0.X ± 0.3	size A2
Eng M. PESSON	2006/11/14	LINEAR	0.XX ± 0.1	Scale 2:1
Chr P. LEGARE	2006/11/14	0° ± 2°	0.XXX ± 0.05	ECN LS06-0174
Appr P. LEGARE	2006/11/14	Product family	-	Spec ref
<b>fci</b>		SUB MALE 0MM EUROPE foot print		Rev. A
mixed power right angled solder		cat no	C01-8637-1750	
catalog no		CUSTOMER		sheet 9 of 9



Компания «ЭлектроПласт» предлагает заключение долгосрочных отношений при поставках импортных электронных компонентов на взаимовыгодных условиях!

Наши преимущества:

- Оперативные поставки широкого спектра электронных компонентов отечественного и импортного производства напрямую от производителей и с крупнейших мировых складов;
- Поставка более 17-ти миллионов наименований электронных компонентов;
- Поставка сложных, дефицитных, либо снятых с производства позиций;
- Оперативные сроки поставки под заказ (от 5 рабочих дней);
- Экспресс доставка в любую точку России;
- Техническая поддержка проекта, помощь в подборе аналогов, поставка прототипов;
- Система менеджмента качества сертифицирована по Международному стандарту ISO 9001;
- Лицензия ФСБ на осуществление работ с использованием сведений, составляющих государственную тайну;
- Поставка специализированных компонентов (Xilinx, Altera, Analog Devices, Intersil, Interpoint, Microsemi, Aeroflex, Peregrine, Syfer, Eurofarad, Texas Instrument, Miteq, Cobham, E2V, MA-COM, Hittite, Mini-Circuits, General Dynamics и др.);

Помимо этого, одним из направлений компании «ЭлектроПласт» является направление «Источники питания». Мы предлагаем Вам помощь Конструкторского отдела:

- Подбор оптимального решения, техническое обоснование при выборе компонента;
- Подбор аналогов;
- Консультации по применению компонента;
- Поставка образцов и прототипов;
- Техническая поддержка проекта;
- Защита от снятия компонента с производства.



#### Как с нами связаться

**Телефон:** 8 (812) 309 58 32 (многоканальный)

**Факс:** 8 (812) 320-02-42

**Электронная почта:** [org@eplast1.ru](mailto:org@eplast1.ru)

**Адрес:** 198099, г. Санкт-Петербург, ул. Калинина, дом 2, корпус 4, литера А.