

REFERENCE SPECIFICATIONS

-NFC 93425 (in compliance with HE 507)

PHYSICAL CHARACTERISTICS

-INSULATOR MATERIAL: THERMOPLASTIC UL94V0

-CONTACT MATERIAL: BRASS
GOLD OVER NICKEL

-ACCESSORIES: STEEL FOR BRACKETS
Cadmium plated, yellow passivation

-SHELLS: STEEL
Cadmium plated, yellow passivation

ELECTRICAL CHARACTERISTICS

-NOMINAL CURRENT: 7.5A (SIGNAL CONTACT)

-CONTACT RESISTANCE: <=7.3 m Ohms(SIGNAL)

-CONTACT/CONTACT : >=1000 V

-CONTACT/GROUND : >=1200 V

-INSULATION RESISTANCE: >=5000 MOhms

ENVIRONMENTAL CHARACTERISTICS

- CLIMATIC CATEGORY: 55/125/21
TEMPERATURE RANGE -55°C TO +125°C
DAMP HEAT STEADY STATE 56 DAYS
SALT SPRAY 48 HOURS

DBML13W3P500MN

Series

Shell size: **E A B C D**
(see sheet 3)

M :Characteristics for the DM serie

Front accessory definition (see sheet 2)

blank :without accessory

L :threaded insert M3

O :threaded insert UNC 4-40

V :female screw UNC 4-40

Layout of contacts (see sheet 3)

Contacts

P :Pin

Termination type

5 Right angle/Europe standard

Plating

00 Right angle 500 matings/unmatings

43 Right angle 500 matings/unmatings for harsh environment

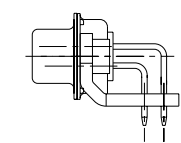
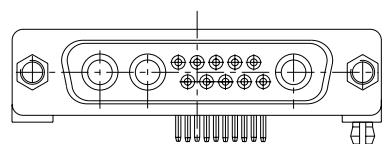
PCB accessories definition(see sheet 2)

blank :Plastic brackets

C :Without brackets

M :Metal brackets

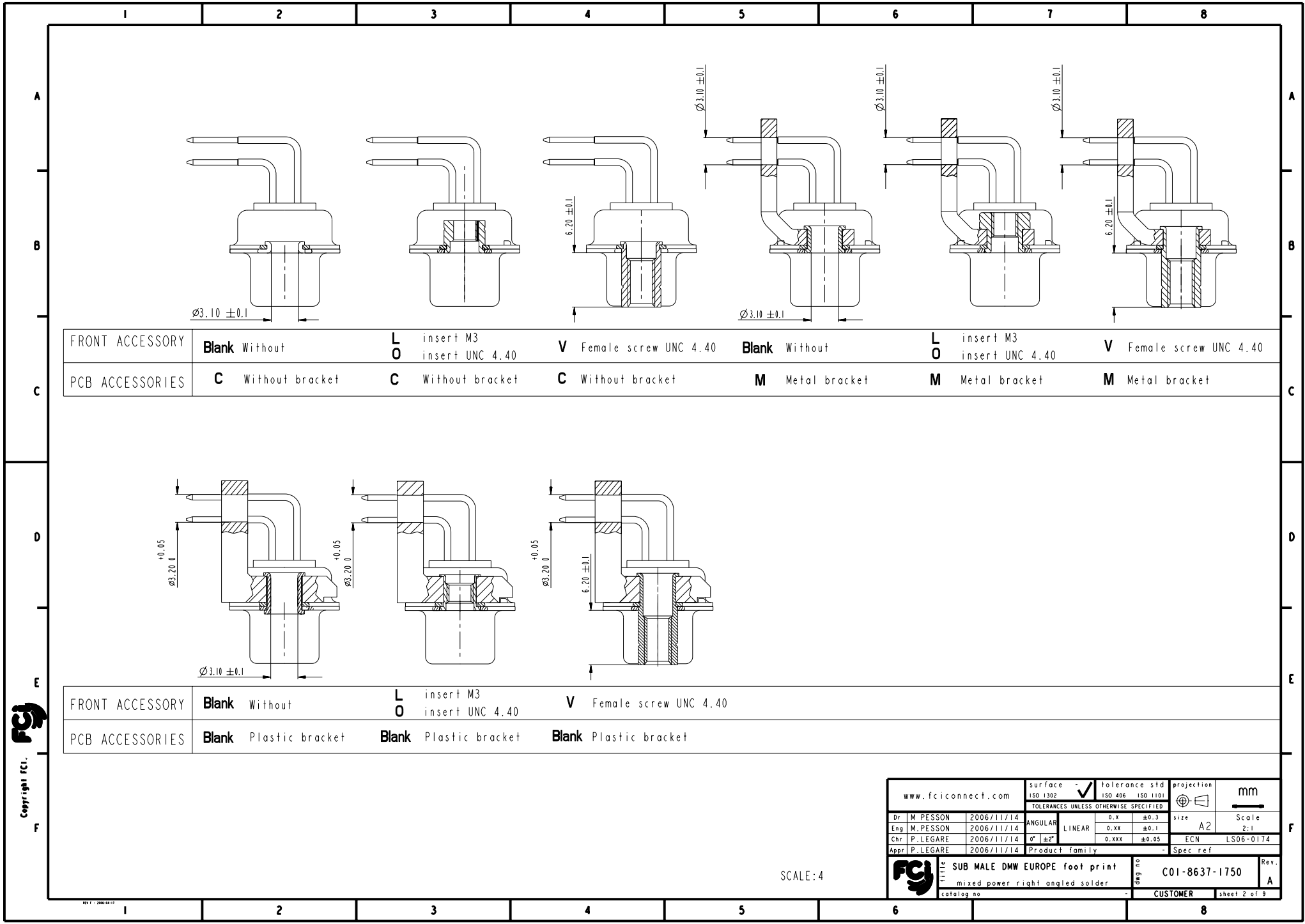
N :Obligatory indication for HE 507



13W3 FOR EXAMPLE

Copyright FCJ

www.fciconnect.com		surface	tolerance std	projection	mm	
		ISO 1302	ISO 406 ISO 1101	mm		
		TOLERANCES UNLESS OTHERWISE SPECIFIED				
Dr	M. PESSON	2006/11/14	ANGULAR	0.X	±0.3	size A2 Scale 2:1
Eng	M. PESSON	2006/11/14	LINEAR	0.XX	±0.1	ECN LS06-0174
Chr	P. LEGARE	2006/11/14	0° ±2°	0.XXX	±0.05	
Appr	P. LEGARE	2006/11/14	Product family		Spec ref	
FCJ			SUB MALE DMW EUROPE foot print		ang no	Rev. A
			mixed power right angled solder		C01-8637-1750	
			catalog no	CUSTOMER sheet 1 of 9		



FRONT ACCESSORY	Blank Without	L insert M3 O insert UNC 4.40	V Female screw UNC 4.40	Blank Without	L insert M3 O insert UNC 4.40	V Female screw UNC 4.40
PCB ACCESSORIES	C Without bracket	C Without bracket	C Without bracket	M Metal bracket	M Metal bracket	M Metal bracket

FRONT ACCESSORY	Blank Without	L insert M3 O insert UNC 4.40	V Female screw UNC 4.40
PCB ACCESSORIES	Blank Plastic bracket	Blank Plastic bracket	Blank Plastic bracket

www.fciconnect.com		surface - ISO 1302	tolerance std ISO 406 ISO 1101	projection mm
		TOLERANCES UNLESS OTHERWISE SPECIFIED		
Dr	M. PESSON	2006/11/14	ANGULAR	0.x ±0.3
Eng	M. PESSON	2006/11/14	LINEAR	0.xx ±0.1
Chr	P. LEGARE	2006/11/14	0° ±2°	0.xxx ±0.05
Appr	P. LEGARE	2006/11/14	Product family	- Spec ref
TITLE SUB MALE DMW EUROPE foot print mixed power right angled solder				Rev. A
catalog no				sheet 2 of 9

SCALE: 4

Copyright fci. FCI

1 2 3 4 5 6 7 8

A
B
C
D
E
F

shell size LAYOUTS
xWx

PART NUMBER	MATINGS/ UNMATINGS	FRONT ACCESSORY	PCB ACCESSORIES
D*MxWxP500CN	500	without	without
D*MLxWxP500CN	500	insert M3	without
D*MOxWxP500CN	500	insert UNC 4.40	without
D*MVxWxP500CN	500	female screw UNC 4.40	without
D*MxWxP500MN	500	without	metal bracket
D*MLxWxP500MN	500	insert M3	metal bracket
D*MOxWxP500MN	500	insert UNC 4.40	metal bracket
D*MVxWxP500MN	500	female screw UNC 4.40	metal bracket
D*MxWxP500N	500	without	plastic bracket
D*MLxWxP500N	500	insert M3	plastic bracket
D*MOxWxP500N	500	insert UNC 4.40	plastic bracket
D*MVxWxP500N	500	female screw UNC 4.40	plastic bracket

PART NUMBER	MATINGS/ UNMATINGS	FRONT ACCESSORY	PCB ACCESSORIES
D*MxWxP543CN	500	without	without
D*MLxWxP543CN	500	insert M3	without
D*MOxWxP543CN	500	insert UNC 4.40	without
D*MVxWxP543CN	500	female screw UNC 4.40	without
D*MxWxP543MN	500	without	metal bracket
D*MLxWxP543MN	500	insert M3	metal bracket
D*MOxWxP543MN	500	insert UNC 4.40	metal bracket
D*MVxWxP543MN	500	female screw UNC 4.40	metal bracket
D*MxWxP543N	500	without	plastic bracket
D*MLxWxP543N	500	insert M3	plastic bracket
D*MOxWxP543N	500	insert UNC 4.40	plastic bracket
D*MVxWxP543N	500	female screw UNC 4.40	plastic bracket

E 5W1
A 11W1
A 7W2
B 21W1
B 17W2
B 13W3
B 9W4
C 25W3
C 21WA4
C 27W2
D 47W1
D 24W7
D 36W4

A
B
C
D
E
F

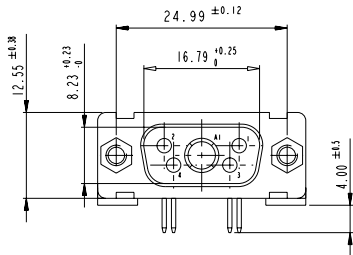
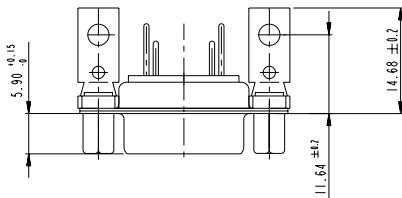
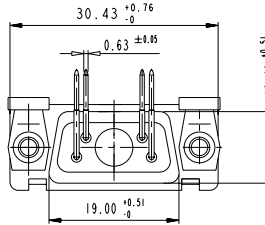
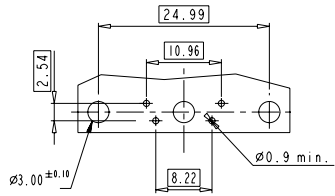


www.fciconnect.com		surface - ISO 1302	tolerance std ISO 406 ISO 1101	projection mm
		TOLERANCES UNLESS OTHERWISE SPECIFIED		
Dr M.PESSON	2006/11/14	ANGULAR	0.X ±0.3	size A2 Scale 2:1
Eng M.PESSON	2006/11/14	LINEAR	0.XX ±0.1	ECN LS06-0174
Chr P.LEGARE	2006/11/14	0° ±2°	0.XXX ±0.05	
Appr P.LEGARE	2006/11/14	Product family		Spec.ref
FCI		SUB MALE DMW EUROPE foot print mixed power right angled solder		Rev. A
catalog no		C01-8637-1750		sheet 3 of 9

1 2 3 4 5 6 7 8

5W1

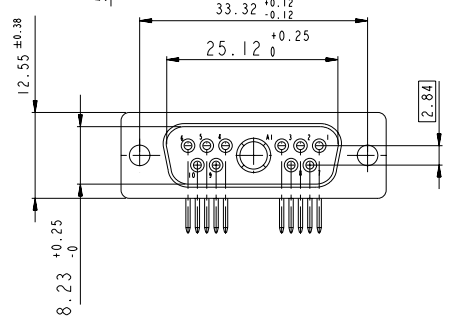
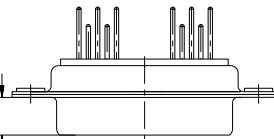
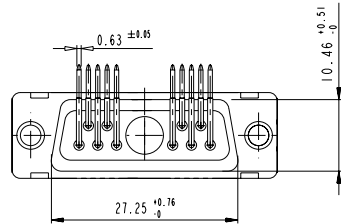
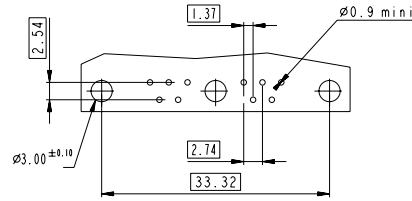
LAYOUT AND CONNECTOR DIMENSIONS



Floating signal contacts

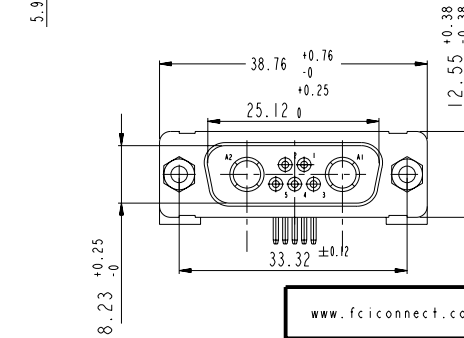
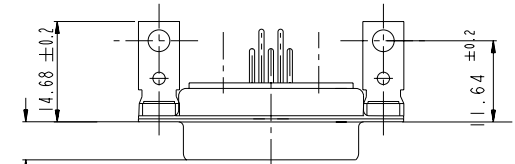
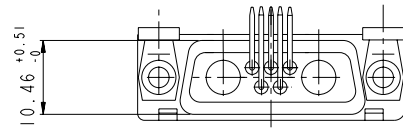
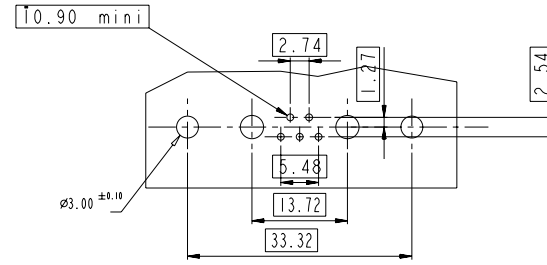
11W1

LAYOUT AND CONNECTOR DIMENSIONS



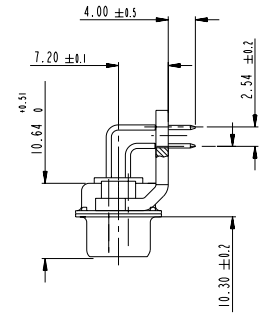
7W2

LAYOUT AND CONNECTOR DIMENSIONS



SIDE VIEW FOR ALL LAYOUTS

E-A-B-C

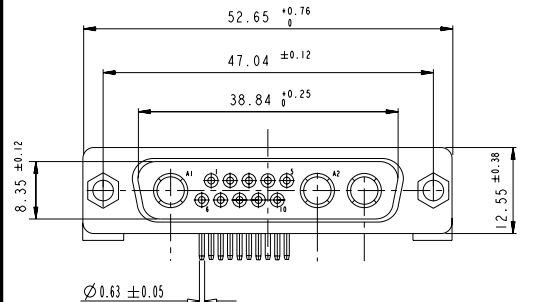
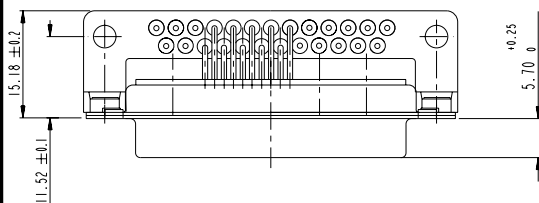
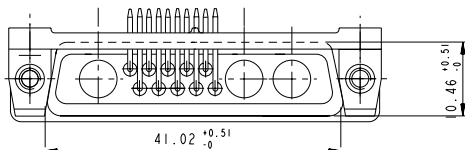
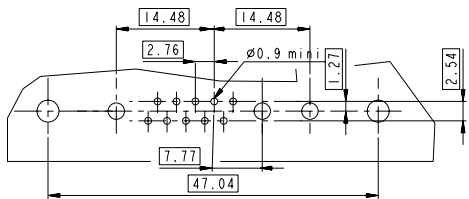


Copyright fci. FCI

www.fciconnect.com		surface - ISO 1302 ✓	tolerance std ISO 406 ISO 1101	projection mm
		TOLERANCES UNLESS OTHERWISE SPECIFIED		
Dr M. PESSON	2006/11/14	ANGULAR	0.X ±0.3	size A2 Scale 2:1
Eng M. PESSON	2006/11/14	LINEAR	0.XX ±0.1	ECN LS06-0174
Chr P. LEGARE	2006/11/14	0° ±2°	0.XXX ±0.05	Spec ref
Appr P. LEGARE	2006/11/14	Product family		
TITLE SUB MALE DMW EUROPE foot print mixed power right angled solder catalog no		Part no C01-8637-1750 Rev. A	CUSTOMER sheet 4 of 9	

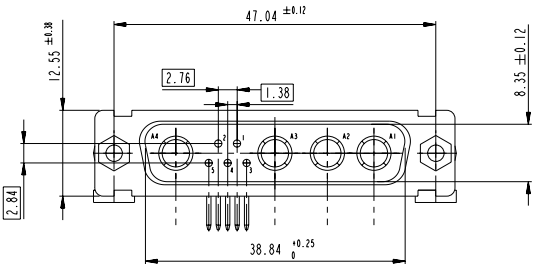
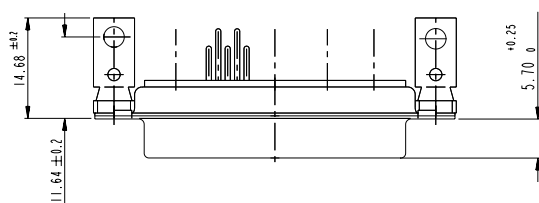
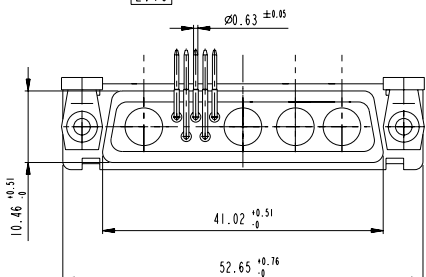
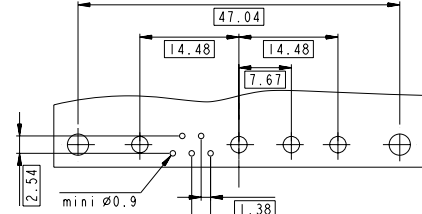
13W3

LAYOUT AND CONNECTOR DIMENSIONS



9W4

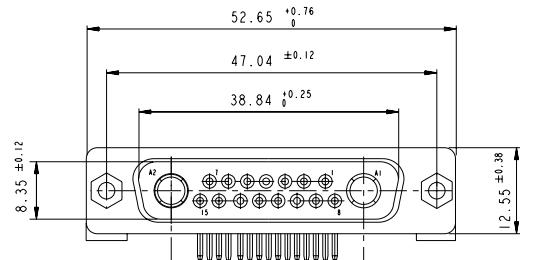
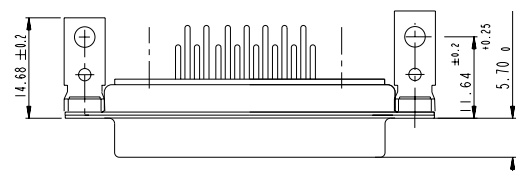
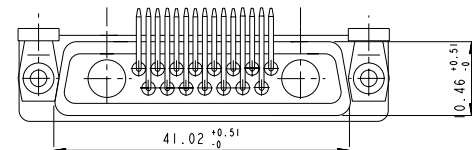
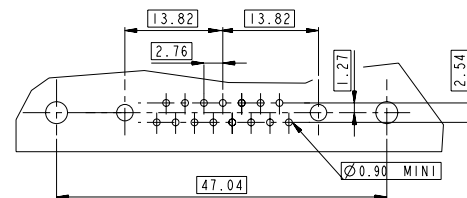
LAYOUT AND CONNECTOR DIMENSIONS



Floating signal contacts

17W2

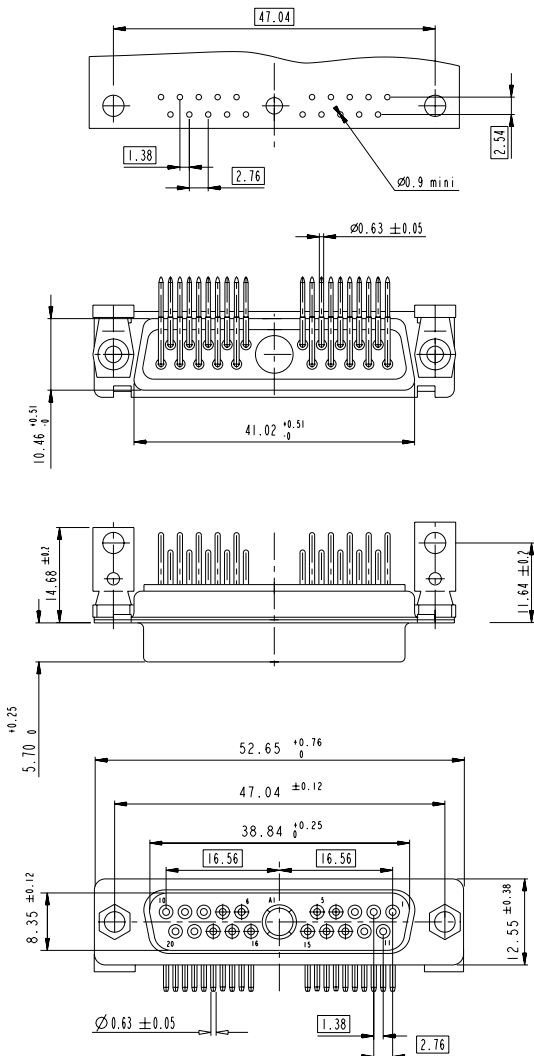
LAYOUT AND CONNECTOR DIMENSIONS



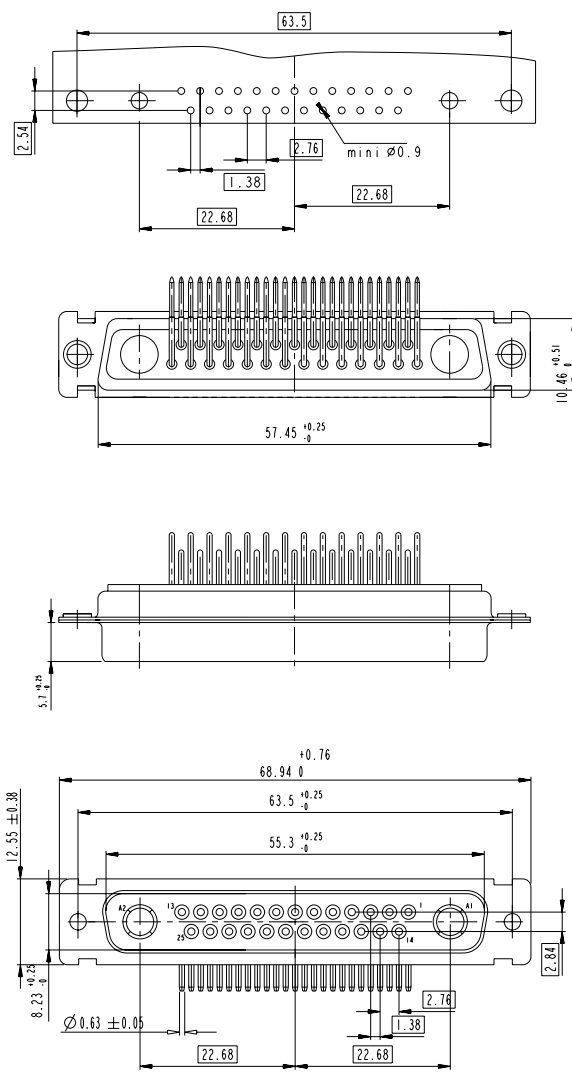
www.fciconnect.com		surface - ISO 1302	tolerance std - ISO 406 ISO 1101	projection	mm
		TOLERANCES UNLESS OTHERWISE SPECIFIED			
Dr M. PESSON	2006/11/14	ANGULAR	0.xx ±0.3	size	Scale
Eng M. PESSON	2006/11/14	LINEAR	0.xx ±0.1	size	A2 2:1
Chr P. LEGARE	2006/11/14	0° ±2'	0.xxx ±0.05	ECN	LS06-0174
Appr P. LEGARE	2006/11/14	Product family		Spec ref	
SUB MALE DMW EUROPE foot print mixed power right angled solder catalog no		part no C01-8637-1750	Rev. A	CUSTOMER sheet 5 of 9	

Copyright fci.

21W1
LAYOUT AND CONNECTOR DIMENSIONS



27W2
LAYOUT AND CONNECTOR DIMENSIONS

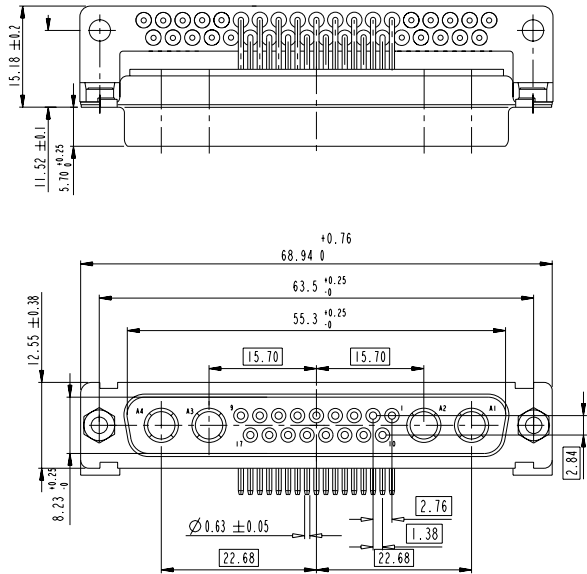
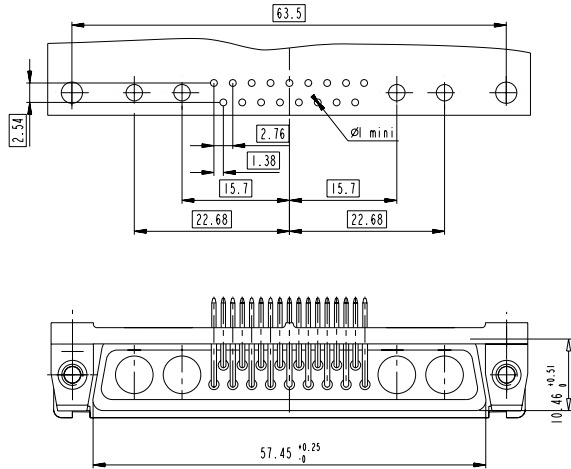


www.fciconnect.com		surface - ISO 1302	tolerance std ISO 406 ISO 1101	projection mm
		TOLERANCES UNLESS OTHERWISE SPECIFIED		
Dr M. PESSON	2006/11/14	ANGULAR	0.xx ±0.3	size A2
Eng M. PESSON	2006/11/14	LINEAR	0.xx ±0.1	Scale 2:1
Chr P. LEGARE	2006/11/14	° ±2'	0.xxx ±0.05	ECN LS06-0174
Appr P. LEGARE	2006/11/14	Product family		Spec ref
SUB MALE DMW EUROPE foot print		ang no	C01-8637-1750	
mixed power right angled solder		Rev.	A	
catalog no		CUSTOMER	sheet 6 of 9	

Copyright fci.

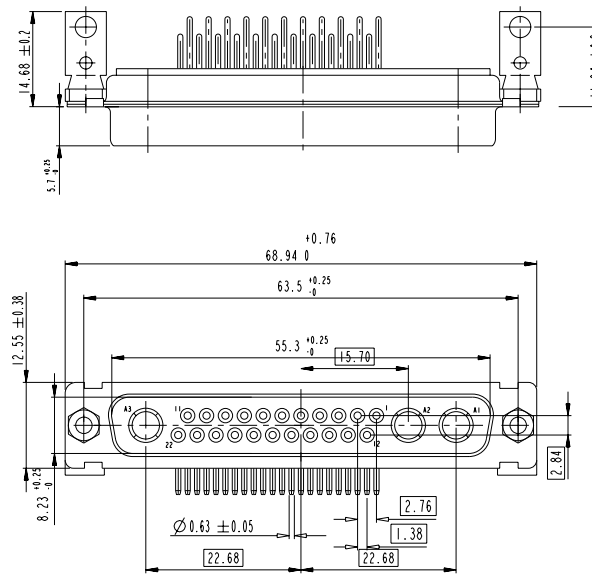
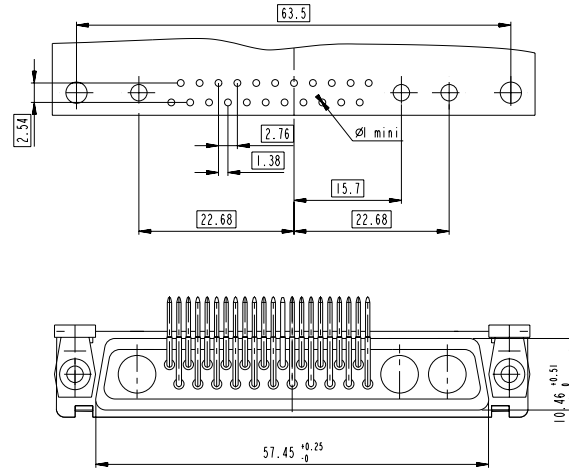
21WA4

LAYOUT AND CONNECTOR DIMENSIONS



25W3

LAYOUT AND CONNECTOR DIMENSIONS

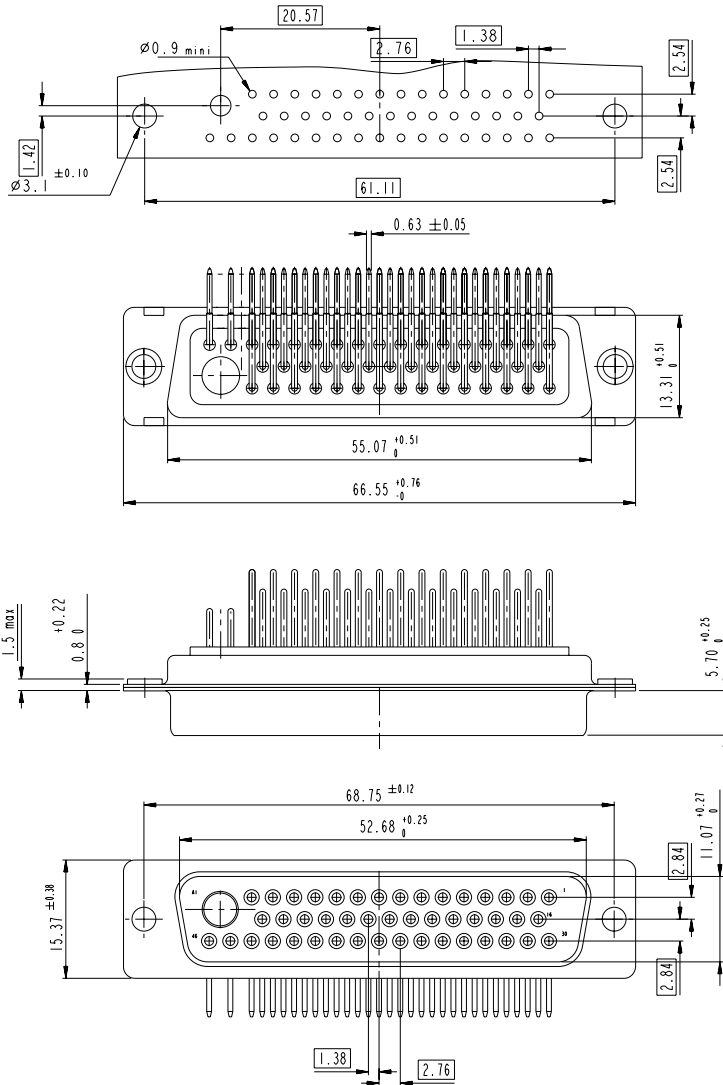


Copyright fci.

www.fciconnect.com		surface - ISO 1302	tolerance std ISO 406 ISO 1101	projection mm
		TOLERANCES UNLESS OTHERWISE SPECIFIED		
Dr M. PESSON	2006/11/14	ANGULAR	0.X ±0.3	size A2 Scale 2:1
Eng M. PESSON	2006/11/14	LINEAR	0.XX ±0.1	ECN LS06-0174
Chr P. LEGARE	2006/11/14	0° ±2°	0.XXX ±0.05	Spec ref
Appr P. LEGARE	2006/11/14	Product family		
SUB MALE DMW EUROPE foot print mixed power right angled solder catalog no		ang no C01-8637-1750	Rev. A	CUSTOMER sheet 7 of 9

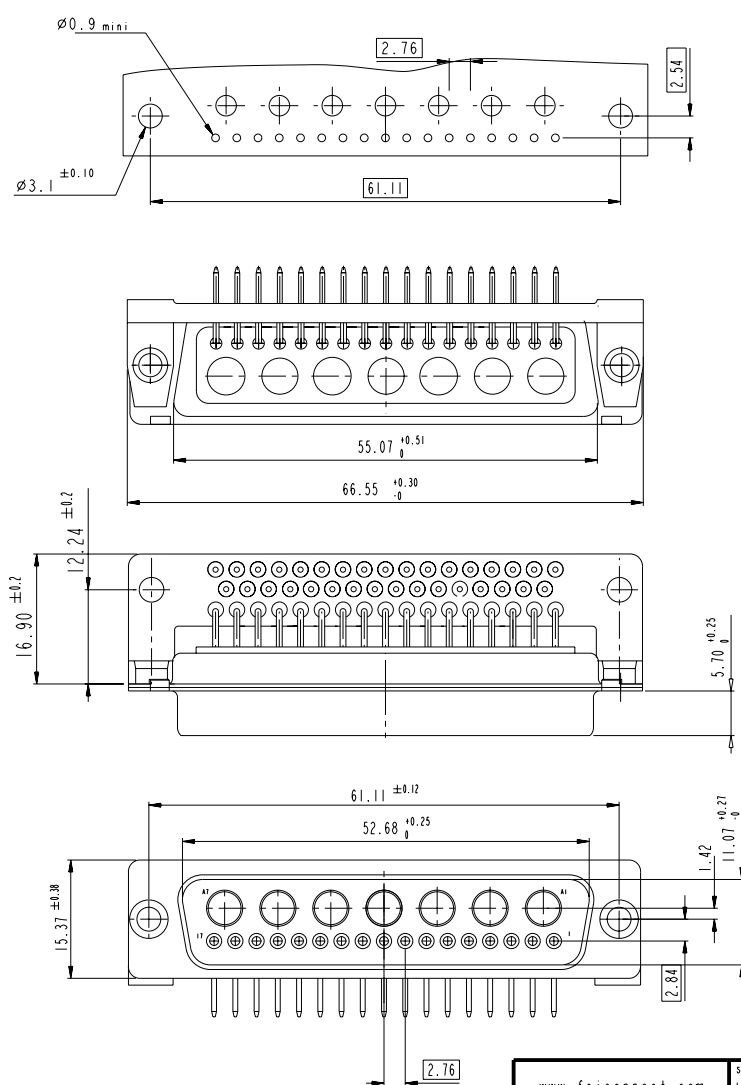
47W1

LAYOUT AND CONNECTOR DIMENSIONS



24W7

LAYOUT AND CONNECTOR DIMENSIONS

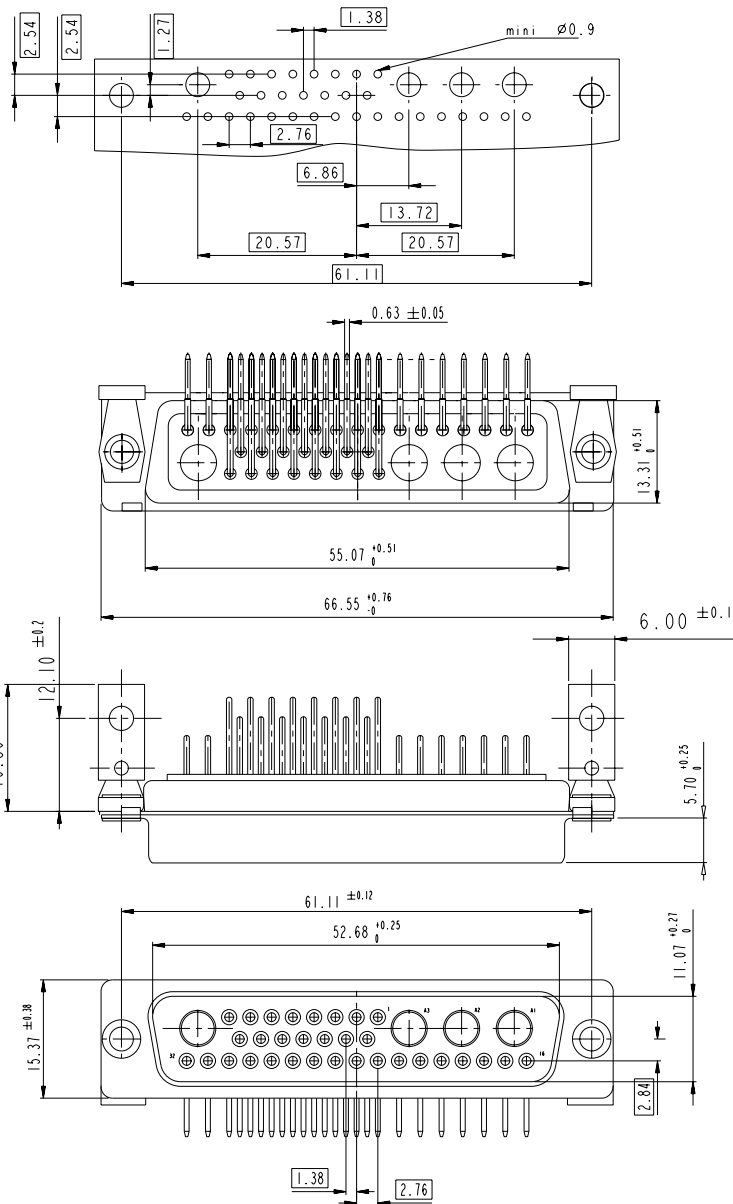


Copyright fci.

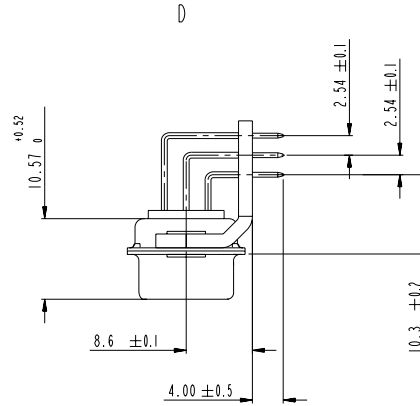
www.fciconnect.com		surface	tolerance std	projection	mm
		ISO 1302	ISO 406 ISO 1101		
		TOLERANCES UNLESS OTHERWISE SPECIFIED			
Dr	M. PESSON	2006/11/14	ANGULAR	0.X ± 0.3	size A2 Scale 2:1
Eng	M. PESSON	2006/11/14	LINEAR	0.XX ± 0.1	
Chr	P. LEGARE	2006/11/14	0° ± 2°	0.XXX ± 0.05	ECN LS06-0174
Appr	P. LEGARE	2006/11/14	Product family		Spec ref
		SUB MALE DMW EUROPE foot print		ang no	Rev.
		mixed power right angled solder		C01-8637-1750	A
catalog no		CUSTOMER		sheet 8 of 9	

36W4

LAYOUT AND CONNECTOR DIMENSIONS



SIDE VIEW FOR ALL LAYOUTS



Copyright fci. FCI

www.fciconnect.com		surface ISO 1302	tolerance std ISO 406 ISO 1101	projection mm
		TOLERANCES UNLESS OTHERWISE SPECIFIED		
Dr M. PESSON	2006/11/14	ANGULAR	0.X ± 0.3	size A2
Eng M. PESSON	2006/11/14	LINEAR	0.XX ± 0.1	Scale 2:1
Chr P. LEGARE	2006/11/14	0° ± 2°	0.XXX ± 0.05	ECN LS06-0174
Appr P. LEGARE	2006/11/14	Product family	-	Spec ref
SUB MALE 0MM EUROPE foot print		cat no	C01-8637-1750	Rev. A
mixed power right angled solder		customer	sheet 9 of 9	



Компания «ЭлектроПласт» предлагает заключение долгосрочных отношений при поставках импортных электронных компонентов на взаимовыгодных условиях!

Наши преимущества:

- Оперативные поставки широкого спектра электронных компонентов отечественного и импортного производства напрямую от производителей и с крупнейших мировых складов;
- Поставка более 17-ти миллионов наименований электронных компонентов;
- Поставка сложных, дефицитных, либо снятых с производства позиций;
- Оперативные сроки поставки под заказ (от 5 рабочих дней);
- Экспресс доставка в любую точку России;
- Техническая поддержка проекта, помощь в подборе аналогов, поставка прототипов;
- Система менеджмента качества сертифицирована по Международному стандарту ISO 9001;
- Лицензия ФСБ на осуществление работ с использованием сведений, составляющих государственную тайну;
- Поставка специализированных компонентов (Xilinx, Altera, Analog Devices, Intersil, Interpoint, Microsemi, Aeroflex, Peregrine, Syfer, Eurofarad, Texas Instrument, Miteq, Cobham, E2V, MA-COM, Hittite, Mini-Circuits, General Dynamics и др.);

Помимо этого, одним из направлений компании «ЭлектроПласт» является направление «Источники питания». Мы предлагаем Вам помощь Конструкторского отдела:

- Подбор оптимального решения, техническое обоснование при выборе компонента;
- Подбор аналогов;
- Консультации по применению компонента;
- Поставка образцов и прототипов;
- Техническая поддержка проекта;
- Защита от снятия компонента с производства.



Как с нами связаться

Телефон: 8 (812) 309 58 32 (многоканальный)

Факс: 8 (812) 320-02-42

Электронная почта: org@eplast1.ru

Адрес: 198099, г. Санкт-Петербург, ул. Калинина, дом 2, корпус 4, литера А.