

MATERIAL (RoHS COMPLIANT):

CAGE:
COPPER ALLOY

PLATING:(SEE PART NUMBER FOR OPTION)

OPTION1:100μ" [2.54 μm] MIN. BRIGHT TIN PLATING OVER 50 μ" (1.27 μm) MIN. NICKEL UNDER PLATING. (BRIGHT TIN SOLDER TEMPERATURE 230°C MAX.).

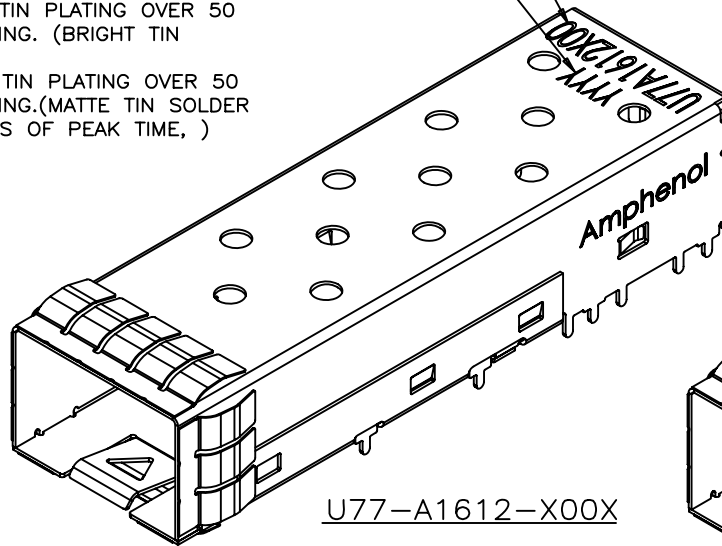
OPTION3: 100μ" [2.54 μm] MIN. MATTE TIN PLATING OVER 50 μ" (1.27 μm) MIN. NICKEL UNDER PLATING.(MATTE TIN SOLDER TEMPRETURE 245°C MAX. IN 10 SECONDS OF PEAK TIME,)

PACKAGING:
TAPE AND REEL OR TRAY PACKAGING.

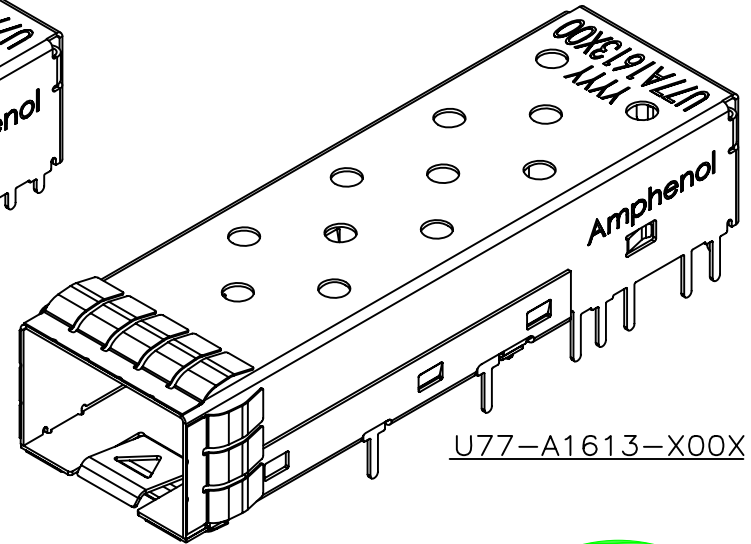
TEMPERATURE RANGE:
-40°C TO +85°C

PART NUMBER
(P/N DOES NOT INCLUDE
PACKAGING OPTION)

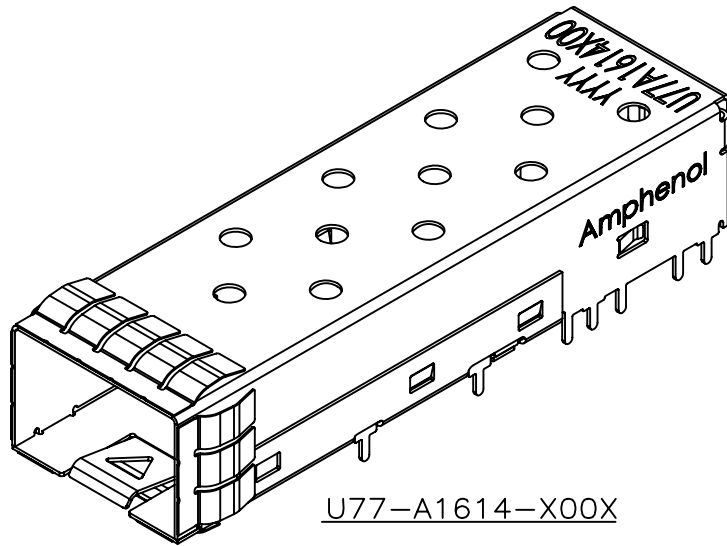
DATE CODE



U77-A1612-X00X



U77-A1613-X00X



U77-A1614-X00X

REVISIONS				
SYM	ZONE	ECN, ERN NO.	DATE	APPRD.
A		PROPOSAL	APR04/08	



AMPHENOL PART NUMBER CONFIGURATION

U77 - A 1 6 1 X - X 0 0 X

SOLDER TAIL HEIGHT

- 2 = 1.2 mm (20 SOLDER PINS)
- 3 = 3.2 mm (20 SOLDER PINS)
- 4 = 1.8 mm (20 SOLDER PINS)

PLATING

- 1 = BRIGHT TIN PLATING
- 3 = MATTE TIN PLATING

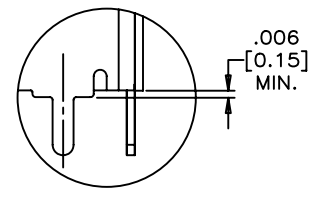
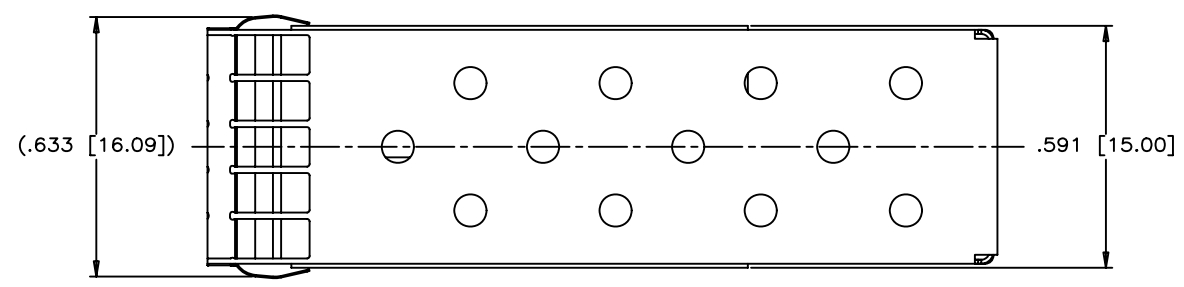
PACKAGING

- 1 = TRAY PACKAGING
(SEE PAGE 5 FOR DETAILS)
- T = TAPE & REEL PACKAGING
(STANDARD CAGE ORIENTATION)
(SEE PAGE 6 FOR DETAILS)
- R = TAPE & REEL PACKAGING
(REVERSED CAGE ORIENTATION)
(SEE PAGE 7 FOR DETAILS)

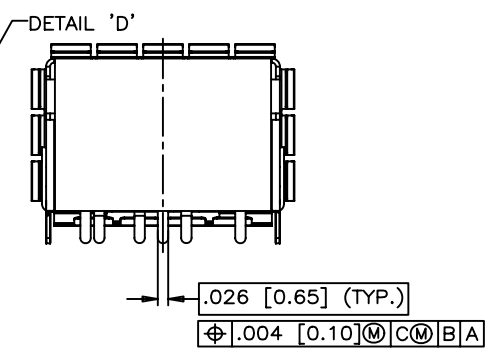
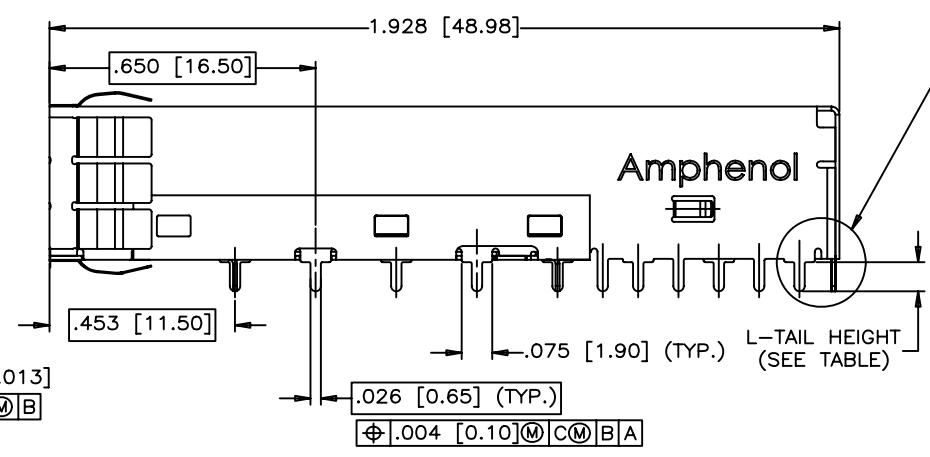
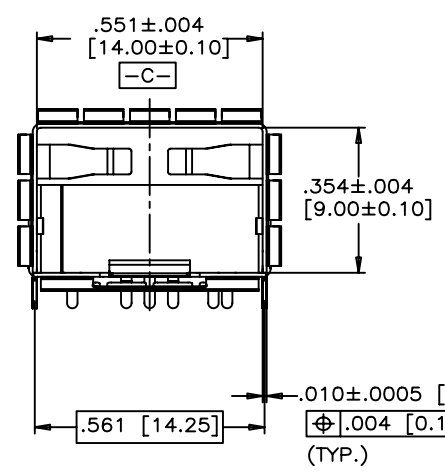
DRAWN	J.SI	DATE	APR03/08	Amphenol Canada Corp.				
DESIGNED	J.SI	DATE	APR03/08					
CHECKED	X		X					
DWG. APPRD.				TITLE				
ENG. REL. NO.				IPF SINGLE CAGE WITH SOLDER PINS				
REF.	X			DWG	DRAWING NO.			
DIMENSIONS ARE IN		CODE ID. NO.	03554	A	P-U77-A161X-X00X	REV.		
INCHES (mm)						A		
SCALE			2:1	WT.		SURF.		SHEET 1 OF 7

THIS DOCUMENT CONTAINS PROPRIETARY INFORMATION AND SUCH INFORMATION MAY NOT BE DISCLOSED TO OTHERS FOR ANY PURPOSE OR USED FOR MANUFACTURING PURPOSES WITHOUT WRITTEN PERMISSION FROM AMPHENOL CANADA CORP.

REVISIONS				
SYM	ZONE	ECN, ERN NO.	DATE	APPRD.
A		PROPOSAL	APR04/08	

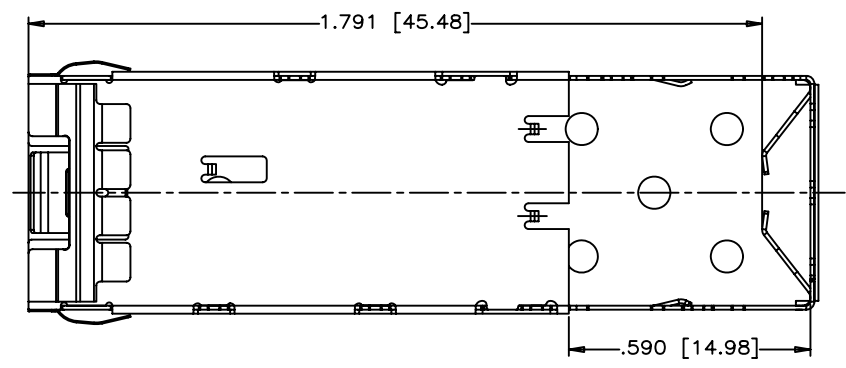


DETAIL 'D'
SCALE 4:1



TABLE

PART NUMBER	SOLDER TAIL HEIGHT (mm)
U77-A1612-X00X	1.20
U77-A1613-X00X	3.20
U77-A1614-X00X	1.80

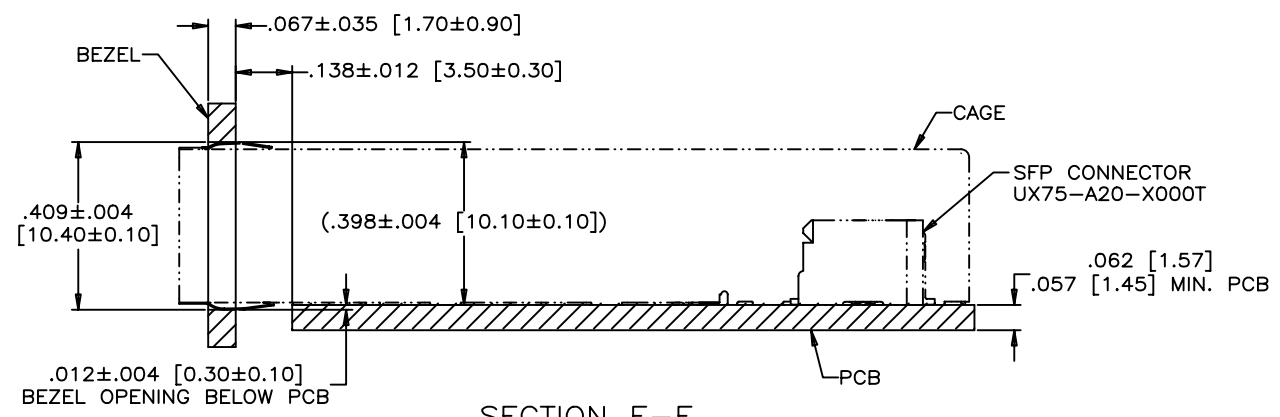
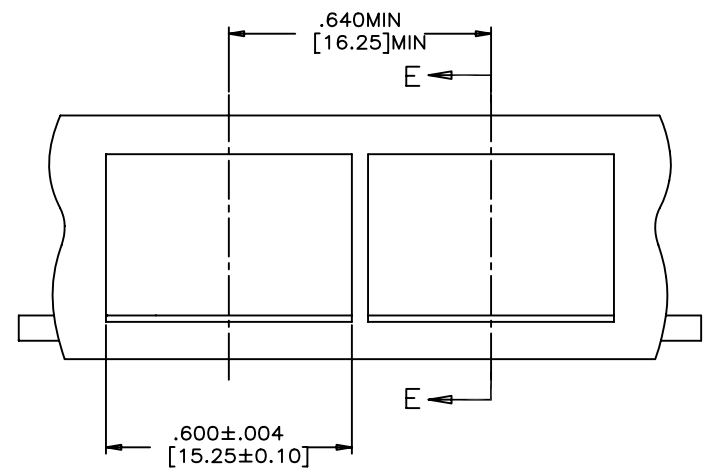


DRAWN	J.SI	DATE	APR03/08
DESIGNED	J.SI	DATE	APR03/08
CHECKED	X		
DWG. APPRD.			
ENG. REL. NO.			
REF.	X		
DIMENSIONS ARE IN	CODE ID. NO.		
INCHES (mm)	03554		

Amphenol Canada Corp.		
TITLE		
IPF SINGLE CAGE WITH SOLDER PINS		
DWG	DRAWING NO.	REV.
A	P-U77-A161X-X00X	A
SCALE	WT.	SURF.
2:1		
SHEET 2 OF 7		

THIS DOCUMENT CONTAINS PROPRIETARY INFORMATION AND SUCH INFORMATION MAY NOT BE DISCLOSED TO OTHERS FOR ANY PURPOSE OR USED FOR MANUFACTURING PURPOSES WITHOUT WRITTEN PERMISSION FROM AMPHENOL CANADA CORP.

REVISIONS				
SYM	ZONE	ECN, ERN NO.	DATE	APPRD.
A		PROPOSAL	APR04/08	



SECTION E-E

RECOMMENDED BEZEL DESIGN
(ONE SIDE CAGE MOUNTING)

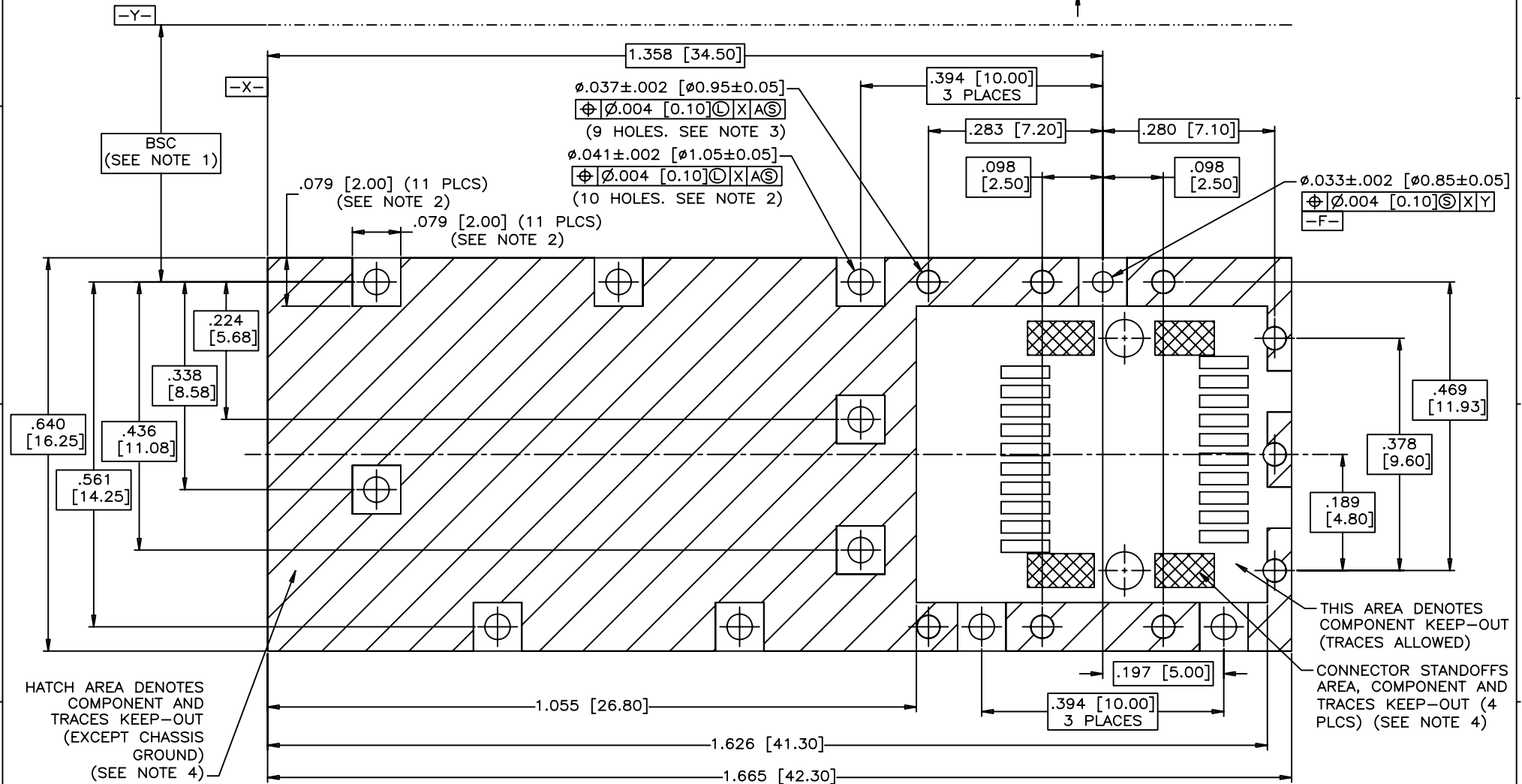
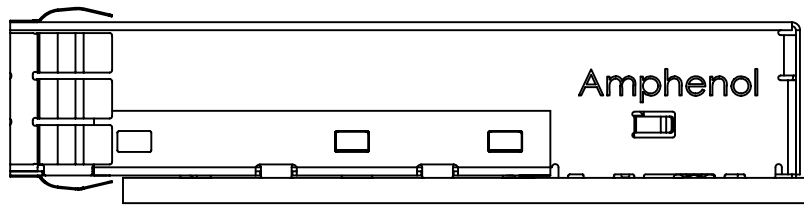
DRAWN	J.SI	DATE	APR03/08
DESIGNED	J.SI	DATE	APR03/08
CHECKED	X		
DWG. APPRD.			
ENG. REL. NO.			
REF.	X		
DIMENSIONS ARE IN	INCHES (mm)	CODE ID. NO.	03554

Amphenol Canada Corp.		
TITLE		
IPF SINGLE CAGE WITH SOLDER PINS		
DWG	DRAWING NO.	REV.
A	P-U77-A161X-X00X	A
SCALE	2:1	WT. _____ SURF. _____ SHEET 3 OF 7

THIS DOCUMENT CONTAINS PROPRIETARY INFORMATION AND SUCH INFORMATION MAY NOT BE DISCLOSED TO OTHERS FOR ANY PURPOSE OR USED FOR MANUFACTURING PURPOSES WITHOUT WRITTEN PERMISSION FROM AMPHENOL CANADA CORP.

- NOTES:
 1. DATUM AND BASIC DIMENSIONS ESTABLISHED BY CUSTOMER
 2. PADS AND VIAS ARE CHASSIS GROUND, 11 PLACES.
 3. THRU HOLES, PLATING OPTIONAL.
 4. SEE DRAWINGS P-UX75-A20-X000X FOR CONNECTOR PCB LAYOUT.

REVISIONS				
SYM	ZONE	ECN, ERN NO.	DATE	APPRD.
A		PROPOSAL	APR04/08	



RECOMMENDED SFP HOST BOARD LAYOUT
 (ONE SIDE CAGE MOUNTING)
 (SCALE 4:1)

DRAWN	J.SI	DATE	APR03/08
DESIGNED	J.SI	DATE	APR03/08
CHECKED	X		
DWG. APPRD.			
ENG. REL. NO.			
REF.	X		
DIMENSIONS ARE IN	CODE ID. NO.		
INCHES (mm)	03554		

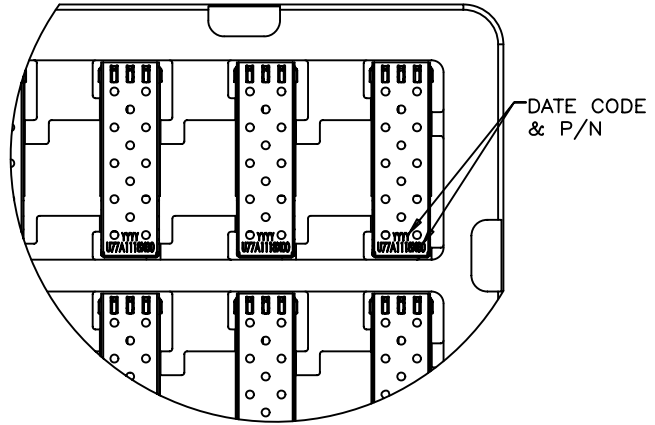
Amphenol Canada Corp.		
TITLE		
IPF SINGLE CAGE WITH SOLDER PINS		
DWG	DRAWING NO.	REV.
A	P-U77-A161X-X00X	A
SCALE	WT.	SURF.
2:1		
		SHEET 4 OF 7

THIS DOCUMENT CONTAINS PROPRIETARY INFORMATION AND SUCH INFORMATION MAY NOT BE DISCLOSED TO OTHERS FOR ANY PURPOSE OR USED FOR MANUFACTURING PURPOSES WITHOUT WRITTEN PERMISSION FROM AMPHENOL CANADA CORP.

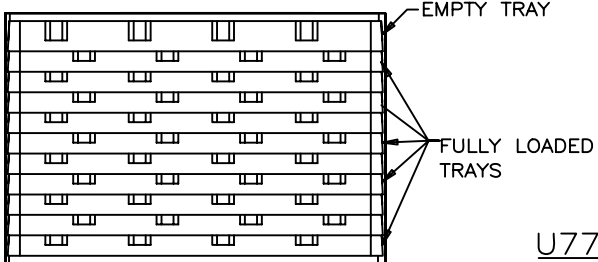
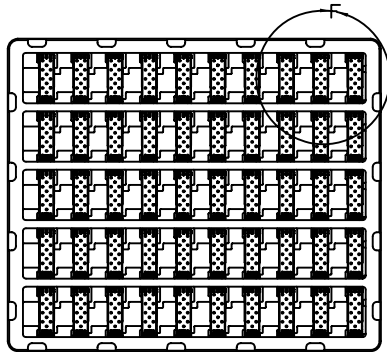
NOTES:

1. A FULLY LOADED TRAY TO CONTAIN 50 CAGES.
2. PLACE TRAYS INTO THE CARTON AS SHOWN. FULLY LOADED CARTON SHALL CONTAIN 10 TRAYS (500 SFP CAGES) PLUS ONE EMPTY TRAY ON THE TOP AS A COVER. FILL EMPTY SPACE IN THE CARTON WITH PAPER FOR ANY PARTIAL SHIPMENT.

REVISIONS				
SYM	ZONE	ECN, ERN NO.	DATE	APPRD.
A		PROPOSAL	APR04/08	

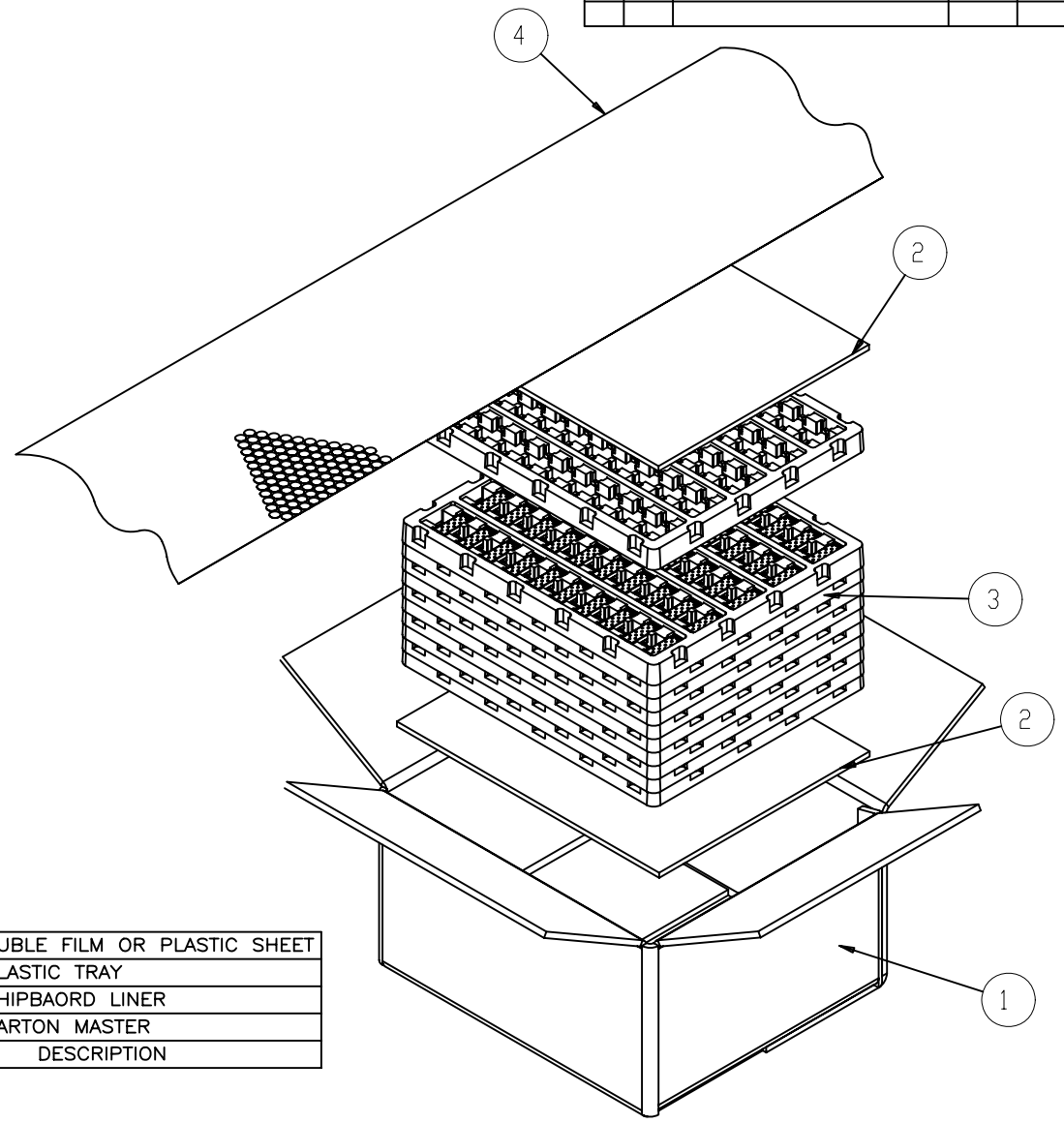


DETAIL F
SCALE 1:2



4	BUBLE FILM OR PLASTIC SHEET
3	PLASTIC TRAY
2	CHIPBAORD LINER
1	CARTON MASTER
ITEM No.	DESCRIPTION

U77-A161X-X001 SHOWN
(CAGE SHOWN FOR REF. ONLY)



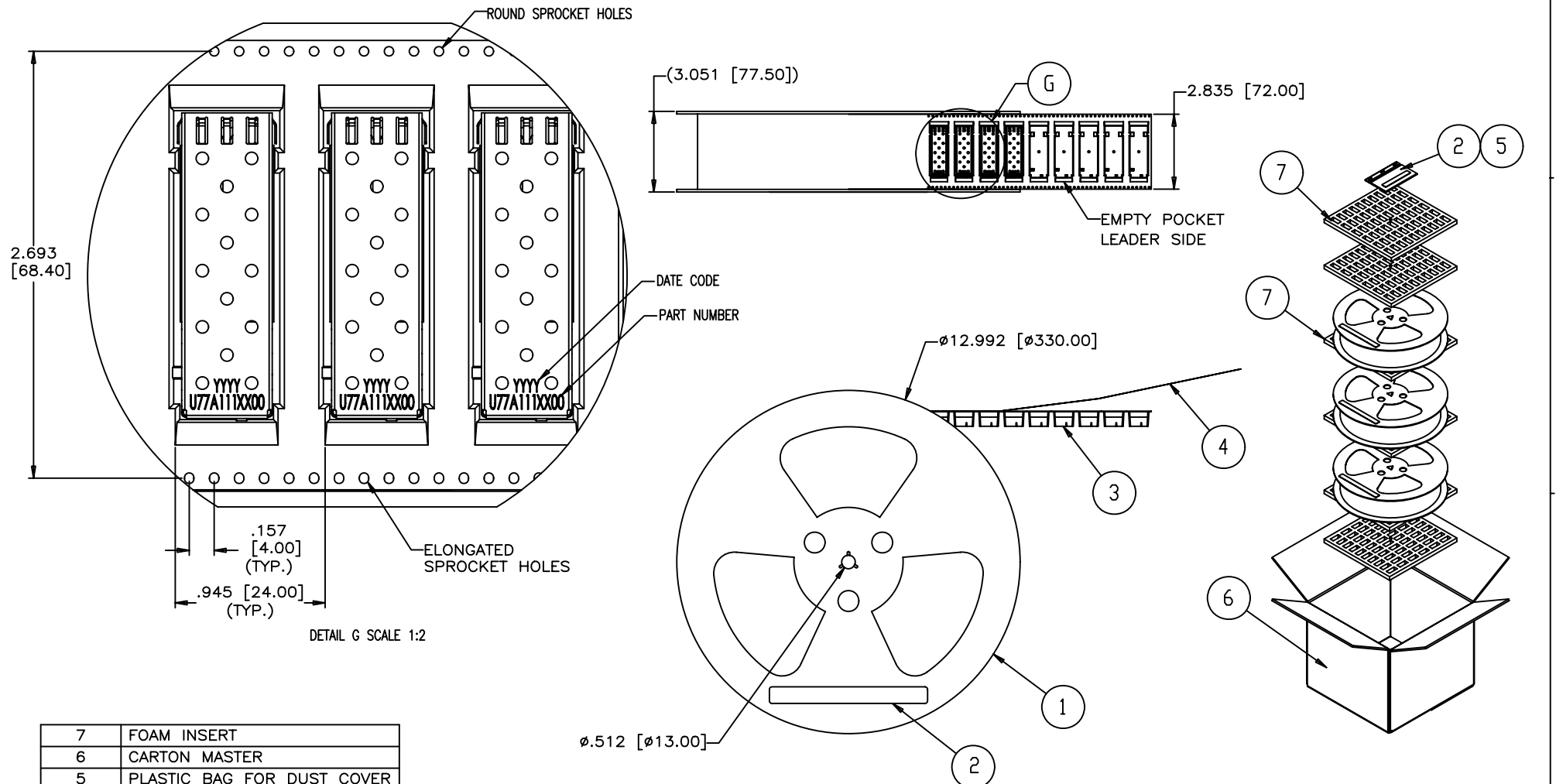
DRAWN	J.SI	DATE	APR03/08	Amphenol Canada Corp.	
DESIGNED	J.SI	DATE	APR03/08		
CHECKED	X		X	TITLE	
				SFP/IPF SINGLE CAGE (TRAY PACKAGING REFERENCE)	
DWG. APPRD.		DWG.	A	DRAWING NO.	P-U77-A161X-X00X
ENG. REL. NO.		REF.	X	REV.	A
DIMENSIONS ARE IN		CODE ID. NO.	03554	SCALE	1:8
INCHES (mm)				WT.	
				SURF.	
				SHEET	5 OF 7

THIS DOCUMENT CONTAINS PROPRIETARY INFORMATION AND SUCH INFORMATION MAY NOT BE DISCLOSED TO OTHERS FOR ANY PURPOSE OR USED FOR MANUFACTURING PURPOSES WITHOUT WRITTEN PERMISSION FROM AMPHENOL CANADA CORP.

NOTES:

1. A FULLY LOADED REEL TO CONTAIN 150 CAGES FOR U77-A1612-X00X AND U77-A1614-X00X.
A FULLY LOADED REEL TO CONTAIN 130 CAGES FOR U77-A1613-X00X.
2. A FULLY LOADED CARTON SHALL CONTAIN 3 REELS.

REVISIONS				
SYM	ZONE	ECN, ERN NO.	DATE	APPRD.
A		PROPOSAL	APR04/08	



DETAIL G SCALE 1:2

U77-A161X-X00T SHOWN
(CAGE SHOWN FOR REF. ONLY)

ITEM No.	DESCRIPTION
7	FOAM INSERT
6	CARTON MASTER
5	PLASTIC BAG FOR DUST COVER
4	COVER TAPE
3	CARRIER TAPE
2	LABEL
1	PLASTIC REEL (SET)

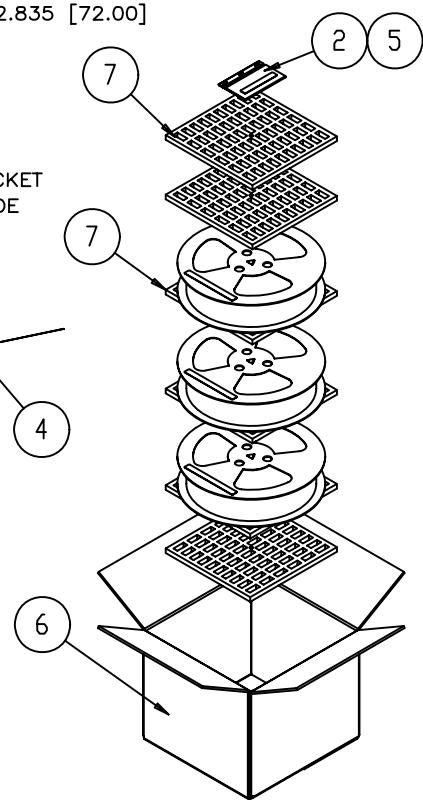
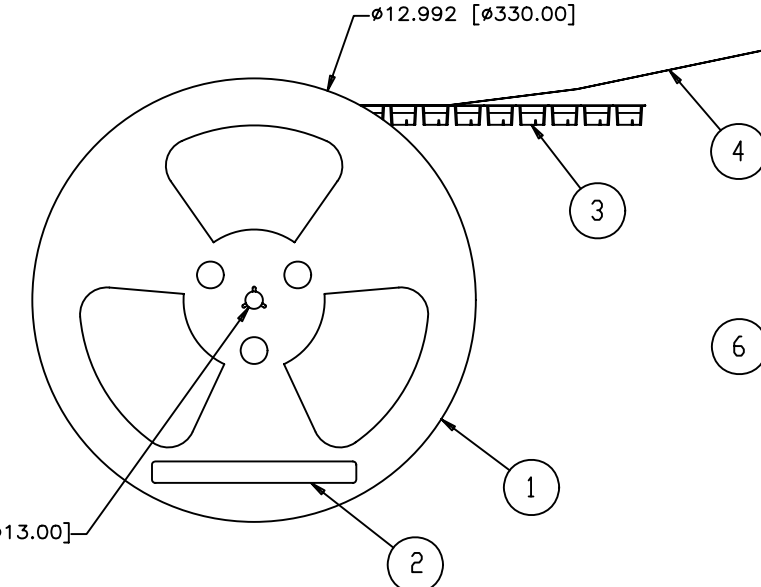
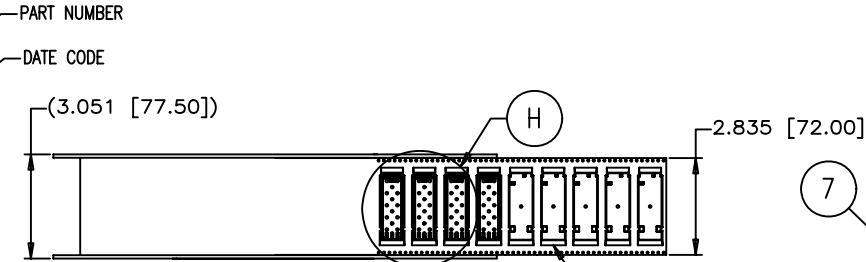
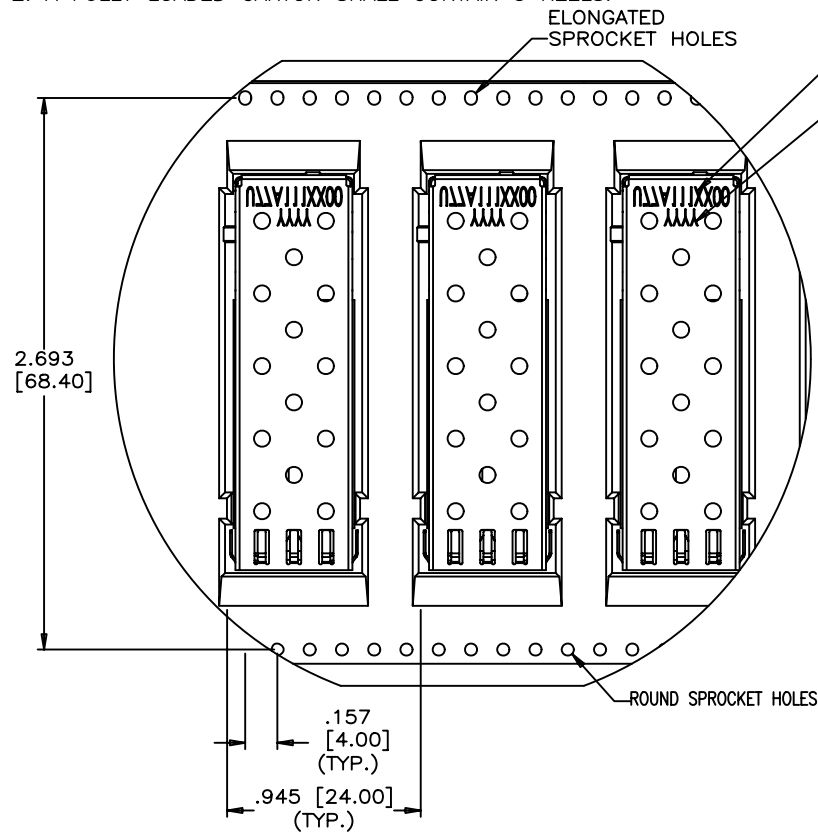
DRAWN	J.SI	DATE	APR03/08	Amphenol Canada Corp. TITLE SFP/IPF SINGLE CAGE (T&R PACKAGING STD CAGE ORIENTATION)			
DESIGNED	J.SI	DATE	APR03/08				
CHECKED	X		X				
DWG. APPRD.							
ENG. REL. NO.		DWG	A	DRAWING NO.	P-U77-A161X-X00X	REV.	A
REF.	X	DIMENSIONS ARE IN	INCHES (mm)	CODE ID. NO.	03554	SCALE	1:8
THIS DOCUMENT CONTAINS PROPRIETARY INFORMATION AND SUCH INFORMATION MAY NOT BE DISCLOSED TO OTHERS FOR ANY PURPOSE OR USED FOR MANUFACTURING PURPOSES WITHOUT WRITTEN PERMISSION FROM AMPHENOL CANADA CORP.		WT.		SURF.		SHEET 6 OF 7	

THIS DOCUMENT CONTAINS PROPRIETARY INFORMATION AND SUCH INFORMATION MAY NOT BE DISCLOSED TO OTHERS FOR ANY PURPOSE OR USED FOR MANUFACTURING PURPOSES WITHOUT WRITTEN PERMISSION FROM AMPHENOL CANADA CORP.

NOTES:

1. A FULLY LOADED REEL TO CONTAIN 150 CAGES FOR U77-A1612-X00X AND U77-A1614-X00X.
A FULLY LOADED REEL TO CONTAIN 130 CAGES FOR U77-A1613-X00X.
2. A FULLY LOADED CARTON SHALL CONTAIN 3 REELS.

REVISIONS				
SYM	ZONE	ECN, ERN NO.	DATE	APPRD.
A		PROPOSAL	APR04/08	



DETAIL H SCALE 1:2

U77-A161X-X00R SHOWN
(CAGE SHOWN FOR REF. ONLY)

ITEM No.	DESCRIPTION
7	FOAM INSERT
6	CARTON MASTER
5	PLASTIC BAG FOR DUST COVER
4	COVER TAPE
3	CARRIER TAPE
2	LABEL
1	PLASTIC REEL (SET)

DRAWN	J.SI	DATE	APR03/08
DESIGNED	J.SI	DATE	APR03/08
CHECKED	X		X
DWG. APPRD.			
ENG. REL. NO.			
REF.	X		
DIMENSIONS ARE IN	INCHES (mm)	CODE ID. NO.	03554

Amphenol Canada Corp.		
TITLE SFP/IPF SINGLE CAGE (T&R PACKAGING REVERSED CAGE ORIENTATION)		
DWG	DRAWING NO.	REV.
A	P-U77-A161X-X00X	A
SCALE	1:8	SHEET 7 OF 7

THIS DOCUMENT CONTAINS PROPRIETARY INFORMATION AND SUCH INFORMATION MAY NOT BE DISCLOSED TO OTHERS FOR ANY PURPOSE OR USED FOR MANUFACTURING PURPOSES WITHOUT WRITTEN PERMISSION FROM AMPHENOL CANADA CORP.



Компания «ЭлектроПласт» предлагает заключение долгосрочных отношений при поставках импортных электронных компонентов на взаимовыгодных условиях!

Наши преимущества:

- Оперативные поставки широкого спектра электронных компонентов отечественного и импортного производства напрямую от производителей и с крупнейших мировых складов;
- Поставка более 17-ти миллионов наименований электронных компонентов;
- Поставка сложных, дефицитных, либо снятых с производства позиций;
- Оперативные сроки поставки под заказ (от 5 рабочих дней);
- Экспресс доставка в любую точку России;
- Техническая поддержка проекта, помощь в подборе аналогов, поставка прототипов;
- Система менеджмента качества сертифицирована по Международному стандарту ISO 9001;
- Лицензия ФСБ на осуществление работ с использованием сведений, составляющих государственную тайну;
- Поставка специализированных компонентов (Xilinx, Altera, Analog Devices, Intersil, Interpoint, Microsemi, Aeroflex, Peregrine, Syfer, Eurofarad, Texas Instrument, Miteq, Cobham, E2V, MA-COM, Hittite, Mini-Circuits, General Dynamics и др.);

Помимо этого, одним из направлений компании «ЭлектроПласт» является направление «Источники питания». Мы предлагаем Вам помощь Конструкторского отдела:

- Подбор оптимального решения, техническое обоснование при выборе компонента;
- Подбор аналогов;
- Консультации по применению компонента;
- Поставка образцов и прототипов;
- Техническая поддержка проекта;
- Защита от снятия компонента с производства.



Как с нами связаться

Телефон: 8 (812) 309 58 32 (многоканальный)

Факс: 8 (812) 320-02-42

Электронная почта: org@eplast1.ru

Адрес: 198099, г. Санкт-Петербург, ул. Калинина, дом 2, корпус 4, литера А.