



CATALOGUE

X-Lok Connector

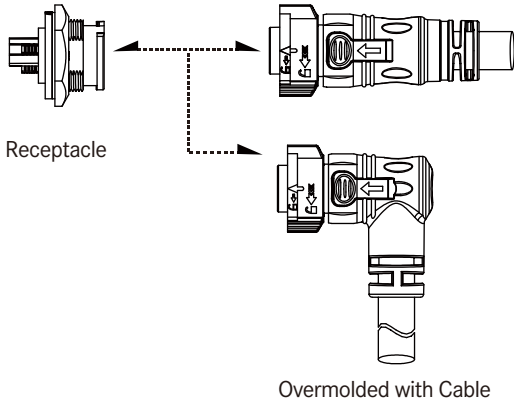




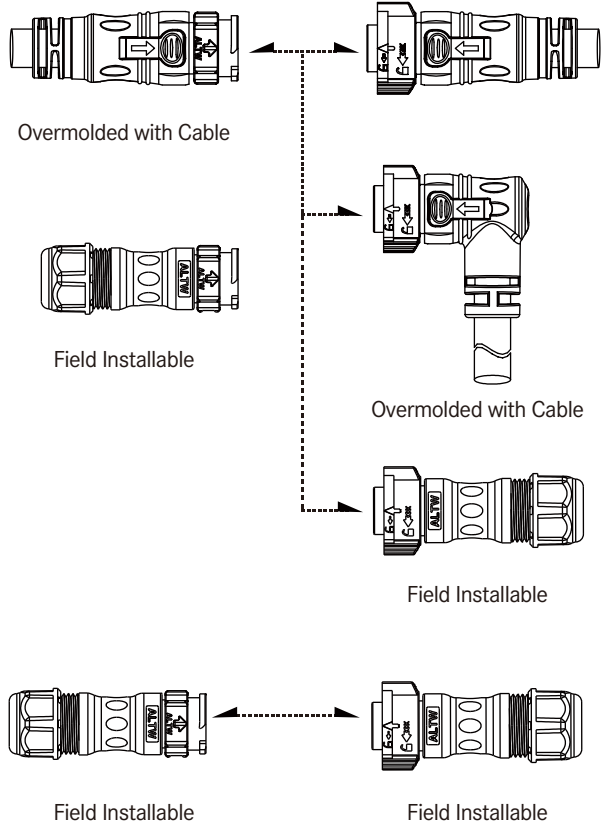
【Note】 Design and specification are subject to change without notice.

Range Overview

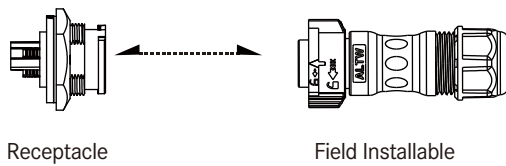
Receptacle to Overmolded with Cable



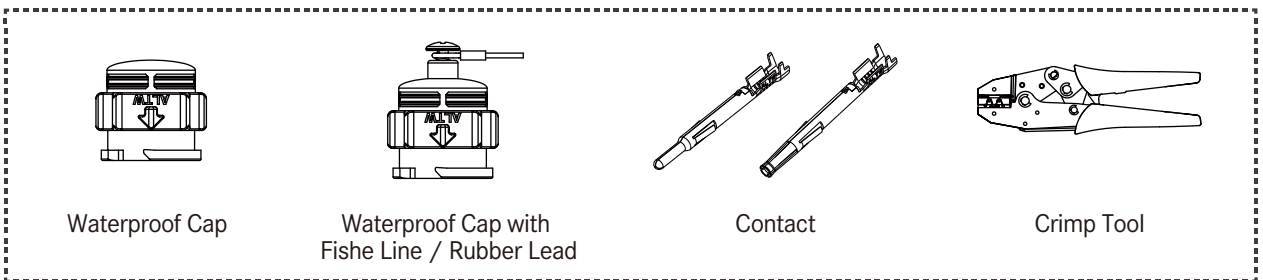
In-Line



Receptacle to Field Installable



Accessories



Specification

Identifications	Power Group (B,C,D size) Data Group (B,C,D size) Hybrid Group (B,C,D size)
Mating Style	Push Lock
Description	Receptacle Overmolded with Cable Field Installable
Current Rating / Data	B size (5A, 10A, 10A+5A) C size (5A, 10A, 20A, 10A+5A) D size (5A, 20A, 20A+5A)
Material	Contacts: Copper Alloy, Gold Plated Connector Body (Housing) : Nylon+GF, UL Recognized Gasket & O-ring: Rubber, UL Recognized
Waterproof Rating	IP68
Temperature Range	Receptacle: -40°C~105°C Overmolded With Cable: <ul style="list-style-type: none"> • Date Group: -20°C~80°C • Power Group: -20°C~105°C • Hybrid Group: -40°C~105°C Field Installable: -40°C~105°C
Contact Resistance	≤10mΩ
Insulation Resistance	≥100MΩ at DC500V
Durability	1000 cycles
Dielectric Withstand Voltage	1,000V plus 2 times the rated voltage / 1 minute
More to know	Standard Cable Length: 01~99M

【Note】 Design and specification are subject to change without notice.

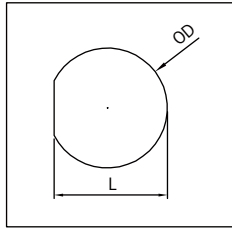
Ordering Information

1	2	3	4	5	6	7	8	9	10
Specification / Current Rating									
<u>≥ Standard Size</u>			<u>≥ Middle Size</u>			<u>≥ Large Size</u>			
(BD) 5A			(CD) 5A			(DD) 5A			
(BB) 10A			(CB) 10A			(DC) 20A			
(BBB) 10A+5A			(CC) 20A			(DCD) 20A+5A			
			(CBD) 10A+5A						
Number of Contacts									
02, 03.... e.g. (02) = 2 Contacts									
Connector Body (Style)									
<u>≥ For Receptacle</u>			<u>≥ For Overmolded with Cable</u>			<u>≥ For Field Installable</u>			
(P) Front Fastened			(A) With Strain Relief			(B) With Strain Relief			
(R) Rear Fastened									
Connector (Housing) Gender									
(M) Male Connector					(F) Female Connector				
Contact Gender									
(M) Male									
(F) Female									
Assemble Style									
<u>≥ For Receptacle</u>			<u>≥ For Overmolded with Cable</u>			<u>≥ For Field Installable</u>			
(S) Solder Type			(M) Overmolded with Cable			(A) Crimp Type			
(B) Screw in Type									
Mating Style									
(Q) Push Lock									
Backshell									
<u>≥ For Receptacle</u>			<u>≥ For Overmolded with Cable</u>						
(C) Circular			(L) Straight						
(S) Square			(R) Right Angle						
Waterproof Rating									
(8) IP68									
More Information									
<u>≥ For Receptacle</u>			<u>≥ For Overmolded with Cable</u>			<u>≥ For Field Installable</u>			
(001), (002)			(□)+(■) : Cable Type + Cable Length			(□)+(■)+(○) : Seal Size + Package Options + Application			
For Data Group & Different Versions			e.g. (A01) = UL2464 Cable + 1M			e.g. (SN0) = Seal S + Connector without Contact + for Data Group			
(00P) For Power Group			<u>(□) : Cable Type</u> (A) UL2464 Cable - Upon request (D) UL21388 Cable - Data Group (E) UL SJTW Cable - Power Group (F) UL21996 Cable - Hybrid Group			<u>(■) : Cable Length</u> From 1M to 99M e.g. (01) = 1M			
			<u>(□) : Seal Type</u> B Size: (S) 5.0~6.0mm (M) 6.0~8.0mm (L) 8.0~10.0mm			<u>(■) : Package Options</u> (N) Connector without Contact* (P) Connector with Contacts		<u>(○) : Application</u> (O) For Data Group (P) For Power Group	
						* Contacts are available to be sold in bulk individually. For further information, please refer to page 20-22.			
						C Size: (S) 6.0~8.0mm (M) 8.0~10.0mm (L) 10.0~12.0mm			
						D Size: (S) 8.0~10.0mm (M) 10.0~12.0mm (L) 12.0~14.0mm			

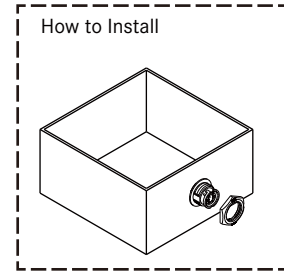
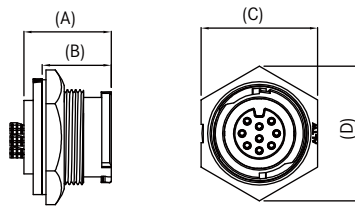
Physical Dimension | Data Group

Receptacle

Panel Cut-out



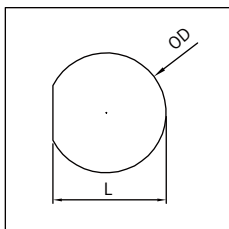
Front Fastened



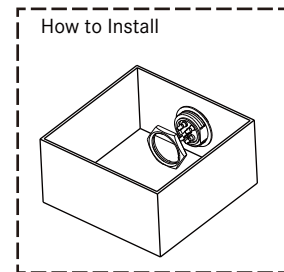
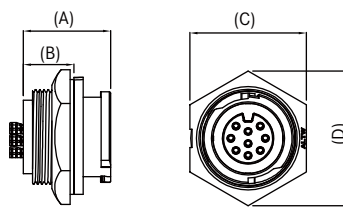
Size	Current Rating (Code)	L	OD	A	B	C	D	Pannel Thickness Max.
B	5A (BD)	14.8	15.6	18.8	14.0	20.6	23.7	4
	10A (BB)							
C	5A (CD)	19.4	20.8	19.0	15.0	25.4	29.3	4.2
	10A (CB)							
D	5A (DD)	23.6	25.6	18.0	14.9	28.6	33.0	3.6

Unit: mm

Panel Cut-out



Rear Fastened

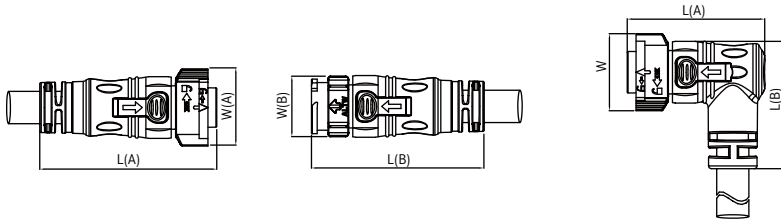


Size	Current Rating (Code)	L	OD	A	B	C	D	Panel Thickness Max.
B	5A (BD)	14.8	15.6	18.6	10.8	20.6	23.7	4.5
	10A (BB)							
C	5A (CD)	19.4	20.8	19.0	11.0	25.4	29.3	4.2
	10A (CB)							
D	5A (DD)	23.6	25.6	18.0	14.9	28.6	33.0	3.6

Unit: mm

[Note] Design and specification are subject to change without notice.

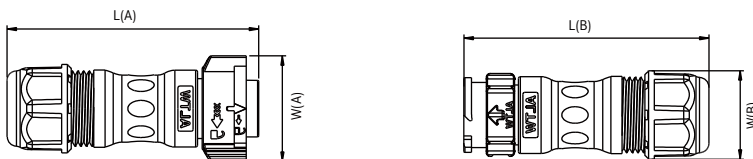
∟ **Overmolded With Cable**



Size	Current Rating (Code)	Straight Style				Right Angle Style		
		L		W		L(A)	L(B)	W
		Female (A)	Male (B)	Female (A)	Male (B)	Female		
B	5A (BD)	53.4	53.0	25.0	20.1	45.2	34.5	25.0
	10A (BB)							
C	5A (CD)	64.2	62.7	28.0	22.4	50.0	46.2	28.0
	10A (CB)							
D	5A (DD)	62.4	61.8	36.0	27.0	63.0	49.5	36.0

Unit: mm

∟ **Field Installable**



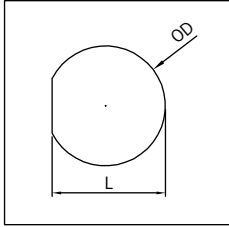
Size	Current Rating (Code)	Straight Style				Seal Size		
		L		W		S	M	L
		Female (A)	Male (B)	Female (A)	Male (B)			
B	5A (BD)	66.2	66.0	25.0	20.0	5.0~6.0	6.0~8.0	8.0~10.0
	10A (BB)							
C	5A (CD)	64.2	62.7	28.0	22.4	6.0~8.0	8.0~10.0	10.0~12.0
	10A (CB)							
	20A (CC)							
D	5A (BD)	70.2	69.0	36.0	27.0	8.0~10.0	10.0~12.0	12.0~14.0
	10A (BB)							

Unit: mm

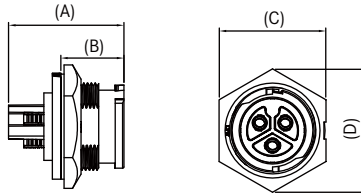
Physical Dimension | Power Group

Receptacle

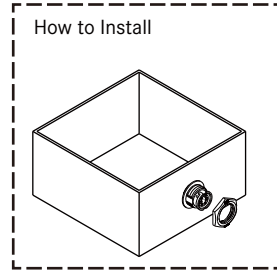
Panel Cut-out



Front Fastened



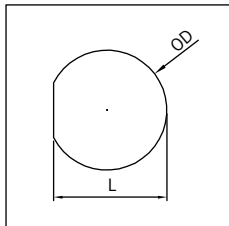
How to Install



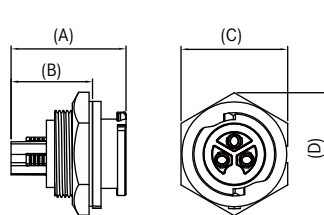
Size	Current Rating (Code)	L	OD	A	B	C	D	Panel Thickness Max.
B	5A (BD)	14.8	15.6	18.8	14.0	20.6	23.7	4
	10A (BB)							
C	20A (CC)	19.4	20.8	27.4	15.0	25.4	29.3	4.2
D	20A (DC)	23.6	25.6	26.3	14.9	28.6	33.0	3.6

Unit: mm

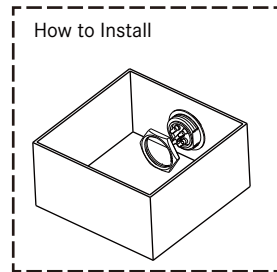
Panel Cut-out



Rear Fastened



How to Install

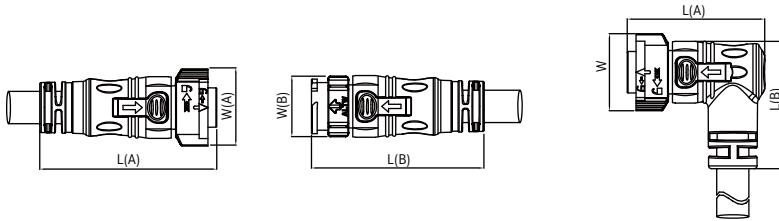


Size	Current Rating (Code)	L	OD	A	B	C	D	Panel Thickness Max.
B	5A (BD)	14.8	15.6	18.6	10.8	20.6	23.7	4.5
	10A (BB)							
C	20A (CC)	19.4	20.8	27.4	19.4	25.4	29.3	4.2
D	20A (DC)	23.6	25.6	26.3	18.1	28.6	33.0	3.6

Unit: mm

[Note] Design and specification are subject to change without notice.

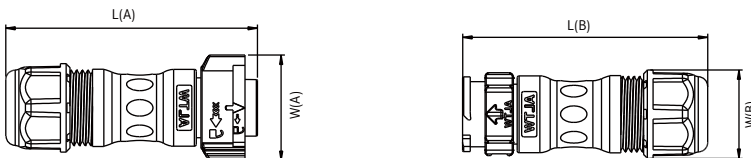
∟ **Overmolded With Cable**



Size	Current Rating (Code)	Straight Style				Right Angle Style		
		L		W		L(A)	L(B)	W
		Female (A)	Male (B)	Female (A)	Male (B)	Female		
B	5A (BD)	53.4	53.0	25.0	20.1	45.2	34.5	25.0
	10A (BB)							
C	5A (CD)	64.2	62.7	28.0	22.4	50.0	46.2	28.0
	10A (CB)							
	20A (CC)							
D	5A (DD)	62.4	61.8	36.0	27.0	63.0	49.5	36.0

Unit: mm

∟ **Field Installable**



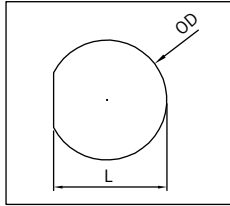
Size	Current Rating (Code)	Straight Style				Seal Size		
		L		W		S	M	L
		Female (A)	Male (B)	Female (A)	Male (B)			
B	5A (BD)	66.2	66.0	25.0	20.0	5.0~6.0	6.0~8.0	8.0~10.0
	10A (BB)							
C	5A (CD)	64.2	62.7	28.0	22.4	6.0~8.0	8.0~10.0	10.0~12.0
	10A (CB)							
	20A (CC)							
D	5A (BD)	70.2	69.0	36.0	27.0	8.0~10.0	10.0~12.0	12.0~14.0
	10A (BB)							

Unit: mm

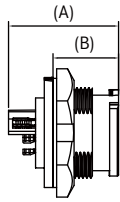
Physical Dimension | Hybrid Group

Receptacle

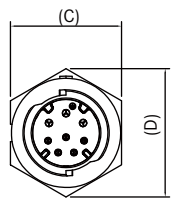
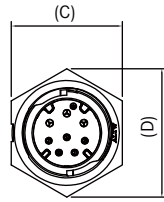
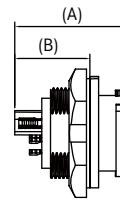
Panel Cut-out



Front Fastened



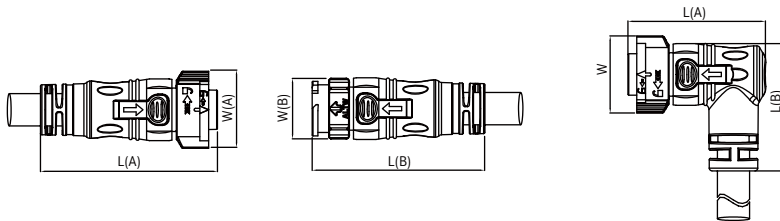
Rear Fastened



Size	Current Rating (Code)	Fasten Style	L	OD	A	B	C	D	Panel Thickness Max.
B	10A+5A (BBD)	Front	14.8	15.6	26.0	14.0	20.6	23.7	4
		Rear	14.8	15.6	24.9	17.0	20.6	23.7	4.5
C	10A+5A (CBD)	Front	19.4	20.8	25.2	15.0	25.4	29.3	4.2
		Rear	19.4	20.8	25.2	17.2	25.4	29.3	4.2
D	20A+5A (DCD)	Front	23.6	25.6	24.1	14.9	28.6	33.0	3.6
		Rear	23.6	25.6	24.1	15.9	28.6	33.0	3.6

Unit: mm

Overmolded With Cable



Size	Current Rating (Code)	Straight Style				Right Angle Style		
		L		W		L(A)	L(B)	W
		Female (A)	Male (B)	Female (A)	Male (B)	Female		
B	10A+5A (BBD)	53.4	53.0	25.0	20.1	45.2	34.5	25.0
C	10A+5A (CBD)	64.2	62.7	28.0	22.4	50.0	46.2	28.0
D	20A+5A (DCD)	62.4	61.8	36.0	27.0	63.0	49.5	36.0

Unit: mm

【Note】 Design and specification are subject to change without notice.

Contact Configuration

	Standard Size (B)										Middle			
	Data				Power				Hybrid		Data			
	5A (BD)		10A (BB)		5A (BD)		10A (BB)		10A+5A (BBD)		5A (CD)		10A (CB)	
4 5	MM or FF	MF or FM	MM or FF	MF or FM	MM or FF	MF or FM	MM or FF	MF or FM	MM or FF	MF or FM	MM or FF	MF or FM	MM or FF	MF or FM
2 Pin (02)														
	R C F	R C F	R C	R C			R C F	R C F						
3 Pin (03)														
	R C F	R C F	R C	R C	R C	R C	R C F	R C F	R C	R C				
4 Pin (04)														
	R C F	R C F	R C				R C F		R C	R C			R C F	R C F
5 Pin (05)														
	R C F	R C F							R C	R C			R C F	R C F
6 Pin (06)														
	R C F	R C F							R C	R C			R C F	
7 Pin (07)														
	R C F										R C F	R C F		
8 Pin (08)														
	R C F										R C F	R C F		
9 Pin (09)														
											R C F	R C F		
10 Pin (10)														
											R C F			
11 Pin (11)														
12 Pin (12)														
											R C F			
14 Pin (14)														
18 Pin (18)														

X-Lok Connector | Contact Configuration

Standard Size (5A | 10A | 10A+5A) | Middle Size (5A | 10A | 20A | 10A+5A) | Large Size (5A | 20A | 20A+5A)

Size (C)				Large Size (D)									
Power		Hybrid		Data		Power		Hybrid					
20A (CC)		10A+5A (CBD)		5A (DD)		20A (DC)		20A+5A (DCD)					
MM or FF	MF or FM	MM or FF	MF or FM	MM or FF	MF or FM	MM or FF	MF or FM	MM or FF	MF or FM	MM or FF	MF or FM	MM or FF	MF or FM
R C F	R C F					R C F	R C F						
R C F	R C F					R C F	R C F						
		R C	R C					R C	R C				
		R C	R C			R C F	R C F	R C	R C				
		R C	R C					R C	R C				
		R C	R C					R C	R C				
		R C	R C					R C	R C				
								R C	R C				
								R C	R C				
						R C F							
				R C F	R C F								
				R C F	R C F								

R: Receptacle
C: Overmolded with Cable
F: Field Installable

- 5A (BD/CD/DD) 1
- 10A (BB/CB)
- 20A (CC/DC)
- 10A + 5A (BBD)
- 20A + 5A (DCD)


Number of Contacts: 2
 e.g. 3 Pin (03)

Connector (Housing) Gender: 4
 Male (M) or Female (F)


Contact Gender: 5
 Male (M) or Female (F)

More to Choose: 6

- Solder (S)
- Crimp (A)



For receptacle and overmolded with cable

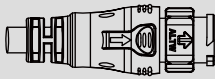
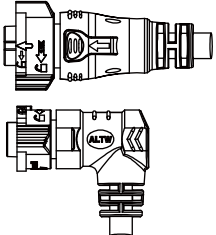
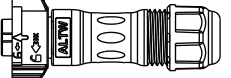


For field installable

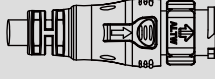
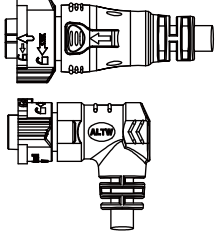
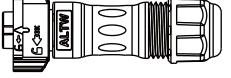
[Note] Design and specification are subject to change without notice.

Find Our Standard Products

Standard Size: 5/8"-27 UNS > In-line

<ul style="list-style-type: none"> • Male Connector (Housing) • Male Contacts • Push Lock 			Overmolded with Cable 	Overmolded with Cable 	Field Installable  ASSP- 2 FAC 6 P/N refers to page 20-22
Group	Current Rating (Code)	Contacts 2	Male Connector (M) Male Contacts (M)	Female Connector (F) Female Contacts (F)	Female Connector (F) Female Contacts (F)
Data	5A (BD)	02,03,04,05,06,07,08	BD- 2 AMMM-QL8DXX*	BD- 2 AFFM-QL8DXX* BD- 2 AFFM-QR8DXX*	BD- 2 BFFA-QL8X ¹ X ² 0**
	10A (BB)	02,03,04	BB- 2 AMMM-QL8DXX*	BB- 2 AFFM-QL8DXX* BB- 2 AFFM-QR8DXX*	-
Power	5A (BD)	03	BD-03AMMM-QL8EXX*	BD-03AFFM-QL8EXX* BD-03AFFM-QR8EXX*	-
	10A (BB)	02,03,04	BB- 2 AMMM-QL8EXX*	BB- 2 AFFM-QL8EXX* BB- 2 AFFM-QR8EXX*	BB- 2 BFFA-QL8X ¹ X ² P**
Hybrid	10A+5A (BBD)	06	BBD-06AMMM-QL8FXX*	BBD-06AFFM-QL8FXX* BBD-06AFFM-QR8FXX*	-

Standard Size: 5/8"-27 UNS > In-line

<ul style="list-style-type: none"> • Male Connector (Housing) • Female Contacts • Push Lock 			Overmolded with Cable 	Overmolded with Cable 	Field Installable  ASSP- 2 FAC 6 P/N refers to page 20-22
Group	Current Rating (Code)	Contacts 2	Male Connector (M) Female Contacts (F)	Female Connector (F) Male Contacts (M)	Female Connector (F) Male Contacts (M)
Data	5A (BD)	02,03,04,05,06	BD- 2 AMFM-QL8DXX*	BD- 2 AFMM-QL8DXX* BD- 2 AFMM-QR8DXX*	BD- 2 BFMA-QL8X ¹ X ² 0**
	10A (BB)	02,03,04	BB- 2 AMFM-QL8DXX*	BB- 2 AFMM-QL8DXX* BB- 2 AFMM-QR8DXX*	-
Power	5A (BD)	03	BD-03AMFM-QL8EXX*	BD-03AFMM-QL8EXX* BD-03AFMM-QR8EXX*	-
	10A (BB)	02,03	BB- 2 AMFM-QL8EXX*	BB- 2 AFMM-QL8EXX* BB- 2 AFMM-QR8EXX*	BB- 2 BFMA-QL8X ¹ X ² P**
Hybrid	10A+5A (BBD)	06	BBD-06AMFM-QL8FXX*	BBD-06AFMM-QL8FXX* BBD-06AFMM-QR8FXX*	-

*XX: Choose the cable length from 01-99 m

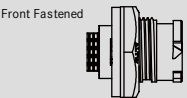
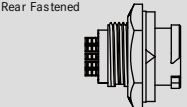
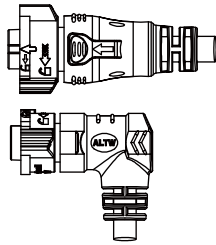
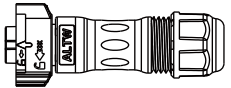
**X¹X²: Seal Size + Package Options
e.g. (SN) = Seal S + Connector without Contact

X¹: Seal Size
(S) 5.0~6.0mm
(M) 6.0~8.0mm
(L) 8.0~10.0mm

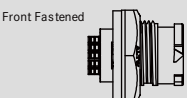
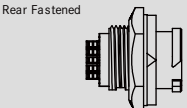
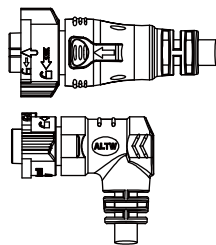
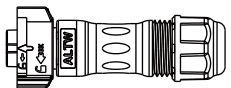
X²: Package Options
(N) Connector without Contact
(P) Connector with Contacts

[Contacts are available to be sold in bulk individually. For further information, please refer to page 20-22.]

Standard Size: 5/8"-27 UNS > Receptacle and Mating Pair

<ul style="list-style-type: none"> • Male Connector (Housing) • Male Contacts • Push Lock 			<p>Receptacle</p> <p>Front Fastened</p>  <p>Rear Fastened</p> 	<p>Overmolded with Cable</p> 	<p>Field Installable</p>  <p>ASSP- 2 FAC 6 P/N refers to page 20-22</p>
Group	Current Rating (Code)	Contacts 2	Male Connector (M) Male Contacts (M)	Female Connector (F) Female Contacts (F)	Female Connector (F) Female Contacts (F)
Data	5A (BD)	02,03,04,05,06,07,08	BD- 2 PMMS-QC8001 BD- 2 RMMS-QC8001	BD- 2 AFFM-QL8DXX* BD- 2 AFFM-QR8DXX*	BD- 2 BFFA-QL8X ¹ X ² 0**
	10A (BB)	02,03,04	BB- 2 PMMS-QC8001 BB- 2 RMMS-QC8001	BB- 2 AFFM-QL8DXX* BB- 2 AFFM-QR8DXX*	-
Power	5A (BD)	03	BD-03PMMS-QC800P BD-03RMMS-QC800P	BD-03AFFM-QL8EXX* BD-03AFFM-QR8EXX*	-
	10A (BB)	02,03,04	BB- 2 PMMS-QC800P BB- 2 RMMS-QC800P	BB- 2 AFFM-QL8EXX* BB- 2 AFFM-QR8EXX*	BB- 2 BFFA-QL8X ¹ X ² P**
Hybrid	10A+5A (BBD)	06	BBD-06PMMS-QC8001 BBD-06RMMS-QC8001	BBD-06AFFM-QL8FXX* BBD-06AFFM-QR8FXX*	-

Standard Size: 5/8"-27 UNS > Receptacle and Mating Pair

<ul style="list-style-type: none"> • Male Connector (Housing) • Male Contacts • Push Lock 			<p>Receptacle</p> <p>Front Fastened</p>  <p>Rear Fastened</p> 	<p>Overmolded with Cable</p> 	<p>Field Installable</p>  <p>ASSP- 2 FAC 6 P/N refers to page 20-22</p>
Group	Current Rating (Code)	Contacts 2	Male Connector (M) Female Contacts (F)	Female Connector (F) Male Contacts (M)	Female Connector (F) Male Contacts (M)
Data	5A (BD)	02,03,04,05,06	BD- 2 RMFS-QC8001 BD- 2 PMFS-QC8001	BD- 2 AFMM-QL8DXX* BD- 2 AFMM-QR8DXX*	BD- 2 BFMA-QL8X ¹ X ² 0**
	10A (BB)	02,03	BB- 2 RMFS-QC8001 BB- 2 PMFS-QC8001	BB- 2 AFMM-QL8DXX* BB- 2 AFMM-QR8DXX*	-
Power	5A (BD)	03	BD-03RMFS-QC800P BD-03PMFS-QC800P	BD-03AFMM-QL8EXX* BD-03AFMM-QR8EXX*	-
	10A (BB)	02,03	BB- 2 RMFS-QC800P BB- 2 PMFS-QC800P	BB- 2 AFMM-QL8EXX* BB- 2 AFMM-QR8EXX*	BB- 2 BFMA-QL8X ¹ X ² P**
Hybrid	10A+5A (BBD)	06	BBD-06RMFS-QC8001 BBD-06PMFS-QC8001	BBD-06AFMM-QL8FXX* BBD-06AFMM-QR8FXX*	-

**XX: Choose the cable length from 01-99 m

**X¹X²: Seal Size + Package Options
e.g. (SN) = Seal S + Connector without Contact

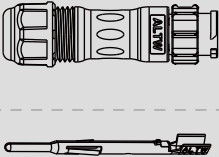
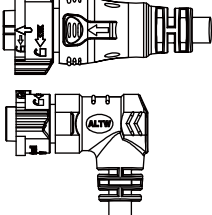
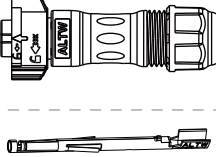
X¹: Seal Size
(S) 5.0-6.0mm
(M) 6.0-8.0mm
(L) 8.0-10.0mm

X²: Package Options
(N) Connector without Contact
(P) Connector with Contacts

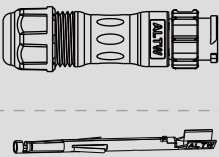
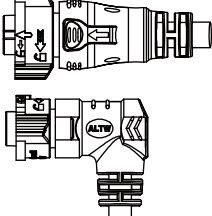
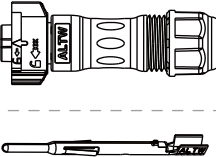
[Contacts are available to be sold in bulk individually. For further information, please refer to page 20-22.]

[Note] Design and specification are subject to change without notice.

Standard Size: 5/8"-27 UNS > In-Line

<ul style="list-style-type: none"> Male Connector (Housing) Male Contacts Push Lock 			<p>Field Installable</p>  <p>ASSP- 2 FAC 6 P/N refers to page xxx</p>	<p>Overmolded with Cable</p> 	<p>Field Installable</p>  <p>ASSP- 2 FAC 6 P/N refers to page 20-22</p>
Group	Current Rating (Code)	Contacts 2	Male Connector (M) Male Contacts (M)	Female Connector (F) Female Contacts (F)	Female Connector (F) Female Contacts (F)
Data	5A (BD)	02,03,04,05,06,07,08	BD- 2 BMMA-QL8X ¹ X ² 0**	BD- 2 AFFM-QL8DXX* BD- 2 AFFM-QR8DXX*	BD- 2 BFFA-QL8X ¹ X ² 0**
Power	10A (BB)	02,03,04	BD- 2 BMMA-QL8X ¹ X ² P**	BB- 2 AFFM-QL8DXX* BB- 2 AFFM-QR8DXX*	BD- 2 BFFA-QL8X ¹ X ² P**

Standard Size: 5/8"-27 UNS > In-Line

			<p>Field Installable</p>  <p>ASSP- 2 FAC 6 P/N refers to page xxx</p>	<p>Overmolded with Cable</p> 	<p>Field Installable</p>  <p>ASSP- 2 FAC 6 P/N refers to page 20-22</p>
Group	Current Rating (Code)	Contacts 2	Male Connector (M) Female Contacts (F)	Female Connector (F) Male Contacts (M)	Female Connector (F) Male Contacts (M)
Data	5A (BD)	02,03,04,05,06	BD- 2 BMFA-QL8X ¹ X ² 0**	BD- 2 AFMM-QL8DXX* BD- 2 AFMM-QR8DXX*	BD- 2 BFMA-QL8X ¹ X ² 0**
Power	10A (BB)	02,03	BB- 2 BMFA-QL8X ¹ X ² P**	BB- 2 AFMM-QL8DXX* BB- 2 AFMM-QR8DXX*	BB- 2 BFMA-QL8X ¹ X ² P**

*XX: Choose the cable length from 01-99 m

**X¹X²: Seal Size + Package Options
e.g. (SN) = Seal S + Connector without Contact

X¹: Seal Size
(S) 5.0~6.0mm
(M) 6.0~8.0mm
(L) 8.0~10.0mm

X²: Package Options
(N) Connector without Contact
(P) Connector with Contacts

[Contacts are available to be sold in bulk individually. For further information, please refer to page 20-22.]

▾ Middle Size 13/16"-28UNS > Receptacle and Mating Pair

<ul style="list-style-type: none"> • Male Connector (Housing) • Male Contacts • Push Lock 			<p>Receptacle</p>	<p>Overmolded with Cable</p>	<p>Field Installable</p> <p>ASSP- 2 FAC 6 P/N refers to page 20-22</p>
Group	Current Rating (Code)	Contacts 2	Male Connector (M) Male Contacts (M)	Female Connector (F) Female Contacts (F)	Female Connector (F) Female Contacts (F)
Data	5A (CD)	08,09,10,12	CD- 2 PMMS-QC8001	CD- 2 AFFM-QL8DXX* CD- 2 AFFM-QR8DXX*	CD- 2 BFFA-QL8X ¹ X ² 0**
	10A (CB)	04,05,06	CB- 2 PMMS-QC8001	CB- 2 AFFM-QL8DXX*	CB- 2 BFFA-QL8X ¹ X ² 0**
Power	20A (CC)	02,03	CC- 2 PMMS-QC800P	CC- 2 AFFM-QL8EXX* CC- 2 AFFM-QR8EXX*	CC- 2 BFFA-QL8X ¹ X ² P**
Hybrid	10A+5A (CBD)	08	CBD-08PMMS-QC8001	CBD-08AFFM-QL8FXX* CBD-08AFFM-QR8FXX*	-

▾ Middle Size 13/16"-28UNS > Receptacle and Mating Pair

<ul style="list-style-type: none"> • Male Connector (Housing) • Male Contacts • Push Lock 			<p>Receptacle</p>	<p>Overmolded with Cable</p>	<p>Field Installable</p> <p>ASSP- 2 FAC 6 P/N refers to page 20-22</p>
Group	Current Rating (Code)	Contacts 2	Male Connector (M) Female Contacts (F)	Female Connector (F) Male Contacts (M)	Female Connector (F) Male Contacts (M)
Data	5A (CD)	07,08,09	CD- 2 PMFS-QC8001	CD- 2 AFMM-QL8DXX* CD- 2 AFMM-QR8DXX*	CD- 2 BFMA-QL8X ¹ X ² 0**
	10A (CB)	04,05	CB- 2 PMFS-QC8001	CB- 2 AFMM-QL8DXX* CB- 2 AFMM-QL8DXX*	CB- 2 BFMA-QL8X ¹ X ² 0**
Power	20A (CC)	02,03	CC- 2 PMFS-QC800P	CC- 2 AFMM-QL8EXX* CC- 2 AFMM-QR8EXX*	CC- 2 BFMA-QL8X ¹ X ² P**
Hybrid	10A+5A (CBD)	08	CBD-08PMFS-QC8001	CBD-08AFMM-QL8FXX* CBD-08AFMM-QR8FXX*	-

*XX: Choose the cable length from 01-99 m

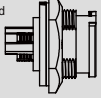
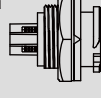
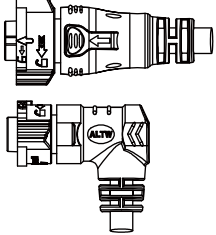
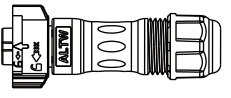

**X¹X²: Seal Size + Package Options
e.g. (SN) = Seal S + Connector without Contact

X¹: Seal Size
(S) 6.0-8.0mm (N) Connector without Contact
(M) 8.0-10.0mm (P) Connector with Contacts
(L) 10.0-12.0mm

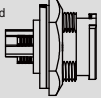
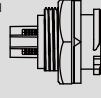
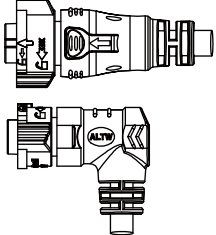

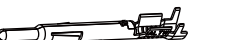
[Contacts are available to be sold in bulk individually. For further information, please refer to page 20-22.]

[Note] Design and specification are subject to change without notice.

▾ Middle Size 13/16"-28UNS > Receptacle and Mating Pair

<ul style="list-style-type: none"> • Male Connector (Housing) • Male Contacts • Push Lock 			<p>Receptacle</p> <p>Front Fastened</p>  <p>Rear Fastened</p> 	<p>Overmolded with Cable</p> 	<p>Field Installable</p>   <p>ASSP- 2 FAC 6 P/N refers to page 20-22</p>
Group	Current Rating (Code)	Contacts 2	Male Connector (M) Male Contacts (M)	Female Connector (F) Female Contacts (F)	Female Connector (F) Female Contacts (F)
Data	5A (CD)	08,09,10,12	CD- 2 PMMS-QC8001 CD- 2 RMMS-QC8001	CD- 2 AFFM-QL8DXX* CD- 2 AFFM-QR8DXX*	CD- 2 BFFA-QL8X ¹ X ² 0**
	10A (CB)	04,05,06	CB- 2 PMMS-QC8001 CB- 2 RMMS-QC8001	CB- 2 AFFM-QL8DXX*	CB- 2 BFFA-QL8X ¹ X ² 0**
Power	20A (CC)	02,03	CC- 2 PMMS-QC800P CC- 2 RMMS-QC800P	CC- 2 AFFM-QL8EXX* CC- 2 AFFM-QR8EXX*	CC- 2 BFFA-QL8X ¹ X ² P**
Hybrid	10A+5A (CBD)	08	CBD-08PMMS-QC8001 CBD-08RMMS-QC8001	CBD-08AFFM-QL8FXX* CBD-08AFFM-QR8FXX*	-

▾ Middle Size 13/16"-28UNS > Receptacle and Mating Pair

<ul style="list-style-type: none"> • Male Connector (Housing) • Female Contacts • Push Lock 			<p>Receptacle</p> <p>Front Fastened</p>  <p>Rear Fastened</p> 	<p>Overmolded with Cable</p> 	<p>Field Installable</p>   <p>ASSP- 2 FAC 6 P/N refers to page 20-22</p>
Group	Current Rating (Code)	Contacts 2	Male Connector (M) Female Contacts (F)	Female Connector (F) Male Contacts (M)	Female Connector (F) Male Contacts (M)
Data	5A (CD)	08,09,10,12	CD- 2 PMFS-QC8001 CD- 2 RMFS-QC8001	CD- 2 AFMM-QL8DXX* CD- 2 AFMM-QR8DXX*	CD- 2 BFMA-QL8X ¹ X ² 0**
	10A (CB)	04,05,06	CB- 2 PMFS-QC8001 CB- 2 RMFS-QC8001	CB- 2 AFMM-QL8DXX*	CB- 2 BFMA-QL8X ¹ X ² 0**
Power	20A (CC)	02,03	CC- 2 PMFS-QC800P CC- 2 RMFS-QC800P	CC- 2 AFMM-QL8EXX* CC- 2 AFMM-QR8EXX*	CC- 2 BFMA-QL8X ¹ X ² P**
Hybrid	10A+5A (CBD)	08	CBD-08PMFS-QC8001 CBD-08RMFS-QC8001	CBD-08AFMM-QL8FXX* CBD-08AFMM-QR8FXX*	-

*XX: Choose the cable length from 01-99 m

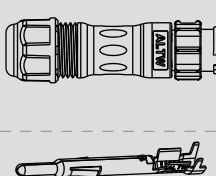
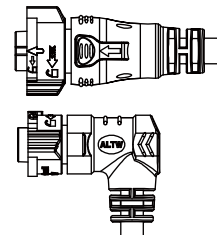
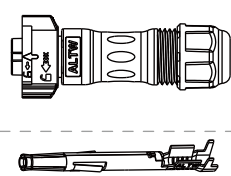
**X¹X²: Seal Size + Package Options
e.g. (SN) = Seal S + Connector without Contact

X¹: Seal Size
(S) 6.0-8.0mm
(M) 8.0-10.0mm
(L) 10.0-12.0mm

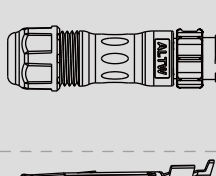
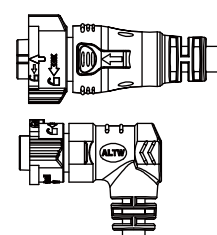
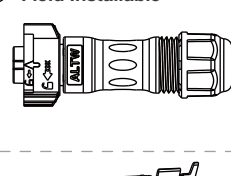
X²: Package Options
(N) Connector without Contact
(P) Connector with Contacts

[Contacts are available to be sold in bulk individually. For further information, please refer to page 20-22.]

▾ Middle Size 13/16"-28UNS > In-Line

<ul style="list-style-type: none"> • Male Connector (Housing) • Male Contacts • Push Lock 			<p>Field Installable -----></p>  <p>ASSP- 2 FAC 6 P/N refers to page xxx</p>	<p>-----> Overmolded with Cable</p> 	<p>-----> Field Installable</p>  <p>ASSP- 2 FAC 6 P/N refers to page 20-22</p>
Group	Current Rating (Code)	Contacts 2	Male Connector (M) Male Contacts (M)	Female Connector (F) Female Contacts (F)	Female Connector (F) Female Contacts (F)
Data	5A (CD)	08,09,10,12	CD- 2 BMMA-QL8X ¹ X ² 0**	CD- 2 AFFM-QL8DXX* CD- 2 AFFM-QR8DXX*	CD- 2 BFFA-QL8X ¹ X ² 0**
	10A (CB)	04,05,06	CB- 2 BMMA-QL8X ¹ X ² 0**	CB- 2 AFFM-QL8DXX*	CB- 2 BFFA-QL8X ¹ X ² 0**
Power	20A (CC)	02,03	CC- 2 BMMA-QL8X ¹ X ² P**	CC- 2 AFFM-QL8EXX* CC- 2 AFFM-QR8EXX*	CC- 2 BFFA-QL8X ¹ X ² P**

▾ Middle Size 13/16"-28UNS > In-Line

<ul style="list-style-type: none"> • Male Connector (Housing) • Male Contacts • Push Lock 			<p>Field Installable -----></p>  <p>ASSP- 2 FAC 6 P/N refers to page xxx</p>	<p>-----> Overmolded with Cable</p> 	<p>-----> Field Installable</p>  <p>ASSP- 2 FAC 6 P/N refers to page 20-22</p>
Group	Current Rating (Code)	Contacts 2	Male Connector (M) Female Contacts (F)	Female Connector (F) Male Contacts (M)	Female Connector (F) Male Contacts (M)
Data	5A (CD)	07,08,09	CD- 2 BMFA-QL8X ¹ X ² 0**	CD- 2 AFMM-QL8DXX* CD- 2 AFMM-QR8DXX*	CD- 2 BFMA-QL8X ¹ X ² 0**
	10A (CB)	04,05	CB- 2 BMFA-QL8X ¹ X ² 0**	CD- 2 AFMM-QL8DXX* CD- 2 AFMM-QR8DXX*	CB- 2 BFMA-QL8X ¹ X ² 0**
Power	20A (CC)	02,03	CC- 2 BMFA-QL8X ¹ X ² P**	CC- 2 AFMM-QL8EXX* CC- 2 AFMM-QR8EXX*	CC- 2 BFMA-QL8X ¹ X ² P**

**XX: Choose the cable length from 01-99 m

**X¹X²: Seal Size + Package Options
e.g. (SN) = Seal S + Connector without Contact

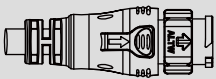
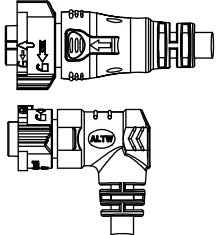
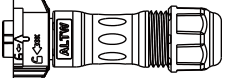

X¹: Seal Size
(S) 6.0-8.0mm
(M) 8.0-10.0mm
(L) 10.0-12.0mm

X²: Package Options
(N) Connector without Contact
(P) Connector with Contacts

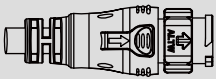
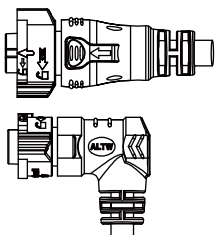
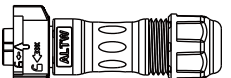

[Contacts are available to be sold in bulk individually. For further information, please refer to page 20-22.]

[Note] Design and specification are subject to change without notice.

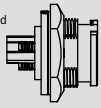
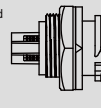
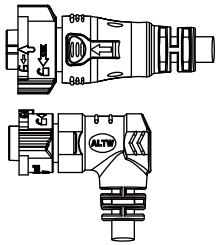
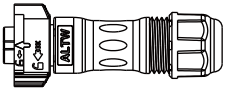

∟ Large Size 1"-20UNEF > In-Line

<ul style="list-style-type: none"> • Male Connector (Housing) • Male Contacts • Push Lock 			Overmolded with Cable 	Overmolded with Cable 	Field Installable   ASSP-2 FAC 6 P/N refers to page 20-22
Group	Current Rating (Code)	Contacts 2	Male Connector (M) Male Contacts (M)	Female Connector (F) Female Contacts (F)	Female Connector (F) Female Contacts (F)
Data	5A (DD)	14, 18	DD- 2 AMMM-QL8DXX*	DD- 2 AFFM-QL8DXX* DD- 2 AFFM-QL8DXX*	DD- 2 BFFA-QL8X ¹ X ² 0**
Power	20A (DC)	02,03,05	DC- 2 AMMM-QL8EXX*	DC- 2 AFFM-QL8EXX* DC- 2 AFFM-QL8EXX*	DC- 2 BFFA-QL8X ¹ X ² P**
Hybrid	20A+5A (DCD)	12	DCD- 2 AMMM-QL8FXX*	DCD- 2 AFFM-QL8FXX* DCD- 2 AFFM-QL8FXX*	-

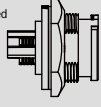
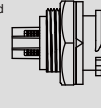
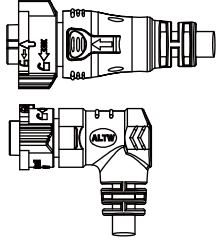


∟ Large Size 1"-20UNEF > In-Line

<ul style="list-style-type: none"> • Male Connector (Housing) • Female Contacts • Push Lock 			Overmolded with Cable 	Overmolded with Cable 	Field Installable   ASSP-2 FAC 6 P/N refers to page 20-22
Group	Current Rating (Code)	Contacts 2	Male Connector (M) Female Contacts (F)	Female Connector (F) Male Contacts (M)	Female Connector (F) Male Contacts (M)
Data	5A (DD)	12, 14, 18	DD- 2 AMFM-QL8DXX*	DD- 2 AFMM-QL8DXX* DD- 2 AFMM-QL8DXX*	DD- 2 BFMA-QL8X ¹ X ² 0**
Power	20A (DC)	02,03,05	DC- 2 AMFM-QL8EXX*	DC- 2 AFMM-QL8EXX* DC- 2 AFMM-QL8EXX*	DC- 2 BFMA-QL8X ¹ X ² P**
Hybrid	20A+5A (DCD)	12	DCD- 2 AMFM-QL8FXX*	DCD- 2 AFMM-QL8FXX* DCD- 2 AFMM-QL8FXX*	-

Large Size 1"-20UNEF > Receptacle and Mating Pair

<ul style="list-style-type: none"> • Male Connector (Housing) • Male Contacts • Push Lock 			<p>Receptacle</p> <p>Front Fastened</p>  <p>Rear Fastened</p> 	<p>Overmolded with Cable</p> 	<p>Field Installable</p>   <p>ASSP- 2 FAC 6 P/N refers to page 20-22</p>
Group	Current Rating (Code)	Contacts 2	Male Connector (M) Male Contacts (M)	Female Connector (F) Female Contacts (F)	Female Connector (F) Female Contacts (F)
Data	5A (CD)	14, 18	DD- 2 PMMS-QC8001 DD- 2 RMMS-QC8001	DD- 2 AFFM-QL8DXX* DD- 2 AFFM-QR8DXX*	DD- 2 BFFA-QL8X ¹ X ² 0**
Power	10A (DC)	02,03,05	DC- 2 PMMS-QC800P DC- 2 RMMS-QC800P	DC- 2 AFFM-QL8DXX*	DC- 2 BFFA-QL8X ¹ X ² P**
Hybrid	20A+5A (DCD)	12	DCD- 2 PMMS-QC8001 DCD- 2 RMMS-QC8001	DCD- 2 AFFM-QL8EXX* DCD- 2 AFFM-QR8EXX*	-

Large Size 1"-20UNEF > Receptacle and Mating Pair

<ul style="list-style-type: none"> • Male Connector (Housing) • Female Contacts • Push Lock 			<p>Receptacle</p> <p>Front Fastened</p>  <p>Rear Fastened</p> 	<p>Overmolded with Cable</p> 	<p>Field Installable</p>   <p>ASSP- 2 FAC 6 P/N refers to page 20-22</p>
Group	Current Rating (Code)	Contacts 2	Male Connector (M) Female Contacts (F)	Female Connector (F) Male Contacts (M)	Female Connector (F) Male Contacts (M)
Data	5A (CD)	12, 14, 18	DD- 2 PMFS-QC8001 DD- 2 RMFS-QC8001	DD- 2 AFMM-QL8DXX* DD- 2 AFMM-QR8DXX*	DD- 2 BFMA-QL8X ¹ X ² 0**
Power	10A (DC)	02,03,05	DC- 2 PMFS-QC800P DC- 2 RMFS-QC800P	DC- 2 AFMM-QL8DXX*	DC- 2 BFMA-QL8X ¹ X ² P**
Hybrid	20A+5A (DCD)	12	DCD- 2 PMFS-QC8001 DCD- 2 RMFS-QC8001	DCD- 2 AFMM-QL8EXX* DCD- 2 AFMM-QR8EXX*	-

*XX: Choose the cable length from 01-99 m

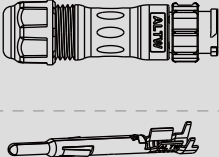
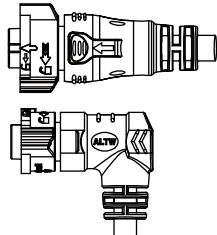
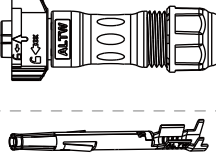
**X¹X²: Seal Size + Package Options
e.g. (SN) = Seal S + Connector without Contact

X¹: Seal Size (S) 8.0-10.0mm (M) 10.0-12.0mm (L) 12.0-14.0mm
X²: Package Options (N) Connector without Contact (P) Connector with Contacts

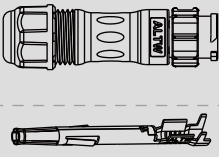
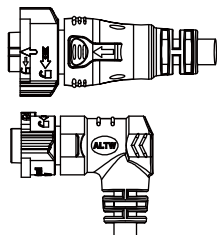
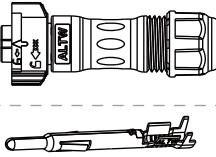
[Contacts are available to be sold in bulk individually. For further information, please refer to page 20-22.]

[Note] Design and specification are subject to change without notice.

Large Size 1"-20UNEF > In-Line

<ul style="list-style-type: none"> • Male Connector (Housing) • Male Contacts • Push Lock 			<p>Field Installable</p>  <p>ASSP- 2 FAC 6 P/N refers to page xxx</p>	<p>Overmolded with Cable</p> 	<p>Field Installable</p>  <p>ASSP- 2 FAC 6 P/N refers to page 20-22</p>
Group	Current Rating (Code)	Contacts 2	Male Connector (M) Male Contacts (M)	Female Connector (F) Female Contacts (F)	Female Connector (F) Female Contacts (F)
Data	5A (DD)	14, 18	DD- 2 BMMA-QL8X ¹ X ² 0**	DD- 2 AFFM-QL8DXX* DD- 2 AFFM-QR8DXX*	DD- 2 BFFA-QL8X ¹ X ² 0**
Power	20A (DC)	02,03,05	DC- 2 BMMA-QL8X ¹ X ² P**	DC- 2 AFFM-QL8DXX* DC- 2 AFFM-QR8DXX*	DC- 2 BFFA-QL8X ¹ X ² P**

Large Size 1"-20UNEF > In-Line

<ul style="list-style-type: none"> • Male Connector (Housing) • Female Contacts • Push Lock 			<p>Field Installable</p>  <p>ASSP- 2 FAC 6 P/N refers to page xxx</p>	<p>Overmolded with Cable</p> 	<p>Field Installable</p>  <p>ASSP- 2 FAC 6 P/N refers to page 20-22</p>
Group	Current Rating (Code)	Contacts 2	Male Connector (M) Female Contacts (F)	Female Connector (F) Male Contacts (M)	Female Connector (F) Male Contacts (M)
Data	5A (DD)	12, 14, 18	DD- 2 BMFA-QL8X ¹ X ² 0**	DD- 2 AFMM-QL8DXX* DD- 2 AFMM-QR8DXX*	DD- 2 BFMA-QL8X ¹ X ² 0**
Power	10A (DC)	02,03,05	DC- 2 BMFA-QL8X ¹ X ² P**	DC- 2 AFMM-QL8DXX* DC- 2 AFMM-QR8DXX*	DC- 2 BFMA-QL8X ¹ X ² P**

*XX: Choose the cable length from 01-99 m


**X¹X²: Seal Size + Package Options
e.g. (SN) = Seal S + Connector without Contact

X¹: Seal Size X²: Package Options
(S) 8.0-10.0mm (N) Connector without Contact
(M) 10.0-12.0mm (P) Connector with Contacts
(L) 12.0-14.0mm

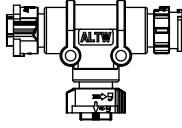
[Contacts are available to be sold in bulk individually. For further information, please refer to page 20-22.]

∨ I-Adaptor, T-Adaptor & T-Cable

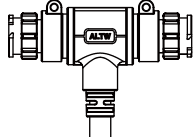
Customization - Upon Request



I-Adaptor



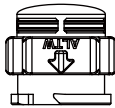
T-Adaptor




T-Cable

∨ Waterproof Cap

For female connector



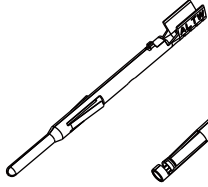
For male connector



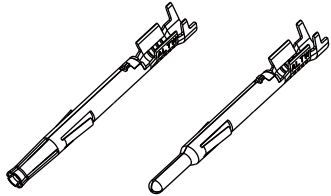
- 3 More to choose: None (MA) / With Rubber Lead (PC)
- 4 More to choose: None (MA) / With Fish Line (CD)
- 5 More to choose: None (A) / With Fish Line (D)

Size	Mating Pair	Mating Style	Mating Pair (Gender)	P/N
Standard Size 5/8"-27 UNS	Receptacle	Push Lock	Male	CAP-WABMQ 3 1
	Overmolded with cable	Push Lock	Female	CAP-WABFQ 4 1
			Male	CAP-WABMQM 5 1
Middle Size 13/16"-28 UNS	Receptacle	Push Lock	Male	CAP-WACMQ 3 1 CAP-WACMQ 3 2
	Overmolded with cable	Push Lock	Female	CAP-WACFQ 4 1
			Male	CAP-WACMQM 5 1
				CAP-WACMQM 5 2
Large Size 1/20" UNEF	Receptacle	Push Lock	Male	CAP-WADMQ 3 1 CAP-WADMQ 3 2
	Overmolded with cable	Push Lock	Female	CAP-WADFQ 4 1
			Male	CAP-WADMQM 5 1
				CAP-WADMQM 5 2

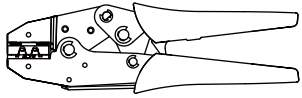
∨ Contacts & Crimp Tool



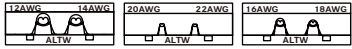
5A



10A/20A



Crimp Tool



Current Rating 2	Contact Gender	P/N	Packages 6	Crimp Tool
5A 05	Male	ASSP-05MAC 6	(SA) 50pcs / Bulk (SB) 100pcs / Bulk (SC) 500pcs / Bulk (SD) 1000pcs / Bulk (RE) 3000pcs / Bulk	ASST-C-05-W-A (20AWG ~ 22AWG)
	Female	ASSP-05FAC 6		ASST-C-10-W-B (16AWG ~ 18AWG)
10A 10	Male	ASSP-10MAC 6		ASST-C-20-W-C (12AWG ~ 14AWG)
	Female	ASSP-10FAC 6		
20A 20	Male	ASSP-20MAC 6		
	Female	ASSP-20FAC 6		

[Note] Design and specification are subject to change without notice.

Amphenol LTW Technology Co., Ltd.

5F-3, No.51, Sec.4, Zhongyang Rd., Tucheng Dist., New Taipei City 236, Taiwan
Telephone: +886-2-77416888 Fax: +886-2-77416999
www.amphenolltw.com

Kunshan Factory

No. 62, DaTong Road, Development Zone, Kunshan City, JiangSu Province, 215333 China
Telephone: +86-512-5761-0501
Fax: : +86-512-5761-0515

For further information, please contact :

Sales & Marketing Department | Email : sales@ltw-tech.com



Компания «ЭлектроПласт» предлагает заключение долгосрочных отношений при поставках импортных электронных компонентов на взаимовыгодных условиях!

Наши преимущества:

- Оперативные поставки широкого спектра электронных компонентов отечественного и импортного производства напрямую от производителей и с крупнейших мировых складов;
- Поставка более 17-ти миллионов наименований электронных компонентов;
- Поставка сложных, дефицитных, либо снятых с производства позиций;
- Оперативные сроки поставки под заказ (от 5 рабочих дней);
- Экспресс доставка в любую точку России;
- Техническая поддержка проекта, помощь в подборе аналогов, поставка прототипов;
- Система менеджмента качества сертифицирована по Международному стандарту ISO 9001;
- Лицензия ФСБ на осуществление работ с использованием сведений, составляющих государственную тайну;
- Поставка специализированных компонентов (Xilinx, Altera, Analog Devices, Intersil, Interpoint, Microsemi, Aeroflex, Peregrine, Syfer, Eurofarad, Texas Instrument, Miteq, Cobham, E2V, MA-COM, Hittite, Mini-Circuits, General Dynamics и др.);

Помимо этого, одним из направлений компании «ЭлектроПласт» является направление «Источники питания». Мы предлагаем Вам помощь Конструкторского отдела:

- Подбор оптимального решения, техническое обоснование при выборе компонента;
- Подбор аналогов;
- Консультации по применению компонента;
- Поставка образцов и прототипов;
- Техническая поддержка проекта;
- Защита от снятия компонента с производства.



Как с нами связаться

Телефон: 8 (812) 309 58 32 (многоканальный)

Факс: 8 (812) 320-02-42

Электронная почта: org@eplast1.ru

Адрес: 198099, г. Санкт-Петербург, ул. Калинина, дом 2, корпус 4, литера А.