

AS39029 QPL LISTED CONTACTS

FOR MIL/AERO APPLICATIONS
WITH PATENTED REVERSED CLIP
TECHNOLOGY



NEW
QPL PARTS



preci-dip

swiss world connects



REVERSED CLIP SOCKET CONTACT TECHNOLOGY

CONTACT DESIGN

The contact consists of three parts, separately manufactured and made of different base materials. This design allows to optimise the performance and to select the most appropriate production process individually:

- Contact body made of machined brass
- Beryllium-copper clip insert achieved by precision stamping process
- Protection hood made of deep-drawn stainless steel

Separate electroplating processes of body and clip allow the best cost-performance ratio (localized finish). The assembly of the three parts is then carried out on dedicated, fully automatic assembly lines.

Reversed clip contacts are presently available in size 12, 16, 20 and 22. This proprietary technology developed by PRECI-DIP, is protected by international patents.



ADVANTAGES AND CHARACTERISTICS

In comparison with the alternative slotted contact body design, the reversed clip concept has several advantages:

- Smaller difference between insertion and extraction forces
- Reduced dispersion of the force values
- Higher redundancy of the contact points, thanks to 6 or 8 contact fingers

We are also manufacturing the corresponding precision-machined pin contacts.

These contacts have successfully passed all the qualification tests according to AS39029 and are QPL listed.

TECHNICAL SPECIFICATIONS

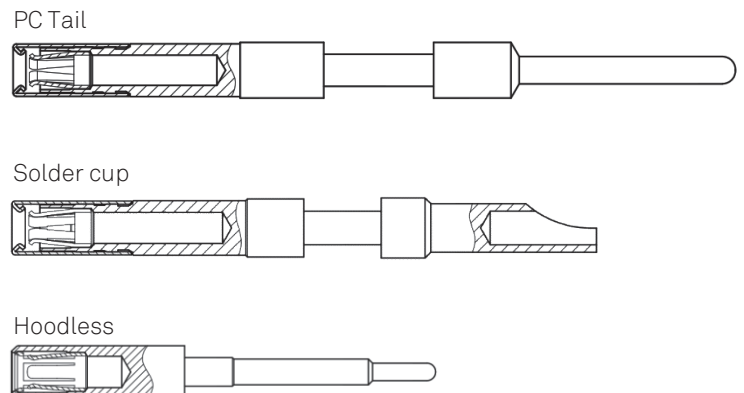
| | | |
|-------------------|---|---|
| • Operating temp. | -65°C to +125°C for Class A contacts -65°C to +200°C for Class B contacts | |
| • Material | Pin contact: | Type A : copper alloy Machined brass acc. to ASTM B121/B121M |
| | Socket contact: | Type A : copper alloy Machined brass acc. to ASTM B121/B121M |
| | Reversed clip: Hood: | BeCu acc. to ASTM B194 Corrosion-resistant steel |
| • Finish | Gold plated (min. 1.27µm in the contact area) acc. to ASTM B488, Type II, Code C, over 2.5 µm Ni acc. to AMS-QQ-N-290, Class 2 | |
| | Silver plated acc. to ASTM B700, over 2.5 µm Ni acc. to AMS-QQ-N-290, Class 2 (M39029/29-213 only) | |

CUSTOMIZED PRODUCTS

We also provide cost effective customized versions, derived from the MIL QPL contacts, for heavy duty applications:

- Solder-cup or PC tail termination
- No color coding
- Other finish, Gold or Nickel only plating
- Hoodless version

Please consult for product availability.





preci-dip

CONTACT TECHNOLOGY

MIL CONTACTS

QUALIFIED PRODUCT LIST : PRECI-DIP PART NUMBERS

SOCKET CONTACTS

| CONNECTOR TYPE ACC. TO | MIL P/N | PRECI-DIP P/N | MATING END SIZE | WIRE BARREL SIZE | TYPE | CLASS |
|----------------------------------|-----------------|-------------------|-----------------|------------------|------|-------|
| MIL-DTL-26482, Series 2 | | | | | | |
| AS81703, Series 3 | M39029/5-115 | 83181-7Q4-7110-B1 | 20 | 20 | A | B |
| MIL-DTL-83723, Series 1, 3 | M39029/5-116 | 83191-7Q4-7210-B1 | 16 | 16 | A | B |
| MIL-DTL-83733 | M39029/5-118 | 83151-7Q4-7310-B1 | 12 | 12 | A | B |
| MIL-DTL-12883/40, /41, /47, /48 | | | | | | |
| AS81714, Series II | M39029/22-191 | 83211-7Q4-7010-B1 | 22 | 22 | A | B |
| MIL-C-81511, Series 3, 4 Class L | M39029/22-192 | 83231-7Q4-7110-B1 | 20 | 20 | A | B |
| MIL-DTL-26500 | | | | | | |
| MIL-DTL-26518, Class R | M39029/32-248 | 83171-7Q4-7210-B1 | 16 | 16 | A | B |
| MIL-C-38300 | | | | | | |
| MIL-DTL-26482, Series 1 | M39029/32-259 | 83161-7Q4-7110-B1 | 20 | 20 | A | A |
| | M39029/56-348 | 83011-1P4-7010-B1 | 22 | 22D | A | B |
| | M39029/56-351 | 83021-1P4-7110-B1 | 20 | 20 | A | B |
| MIL-DTL-38999, Series I, III, IV | M39029/56-352 | 83031-1P4-7210-B1 | 16 | 16 | A | B |
| | M39029/56-353 | 83041-1P4-7310-B1 | 12 | 12 | A | B |
| MIL-DTL-38999, Series II | | | | | | |
| MIL-DTL-24308 | M39029/57-354 | 83101-7Q4-7010-B1 | 22 | 22D | A | B |
| MIL-DTL-55302/68, /71, /75 | M39029/57-357 | 83341-7Q4-7110-B1 | 20 | 20 | A | B |
| MIL-DTL-83733 | M39029/57-358 | 83361-7Q4-7210-B1 | 16 | 16 | A | B |
| MIL-DTL-24308 | M39029/63-368 * | 83121-7Q4-6110-01 | 20 | 20 | A | A |
| | | | | | | |
| MIL-DTL-12883/44, /45, /46 | M39029/101-552 | 83431-7Q4-7010-B1 | 22 | 22 | A | A |
| | M39029/101-553 | 83441-7Q4-7110-B1 | 20 | 20 | A | A |

Listed part numbers are of localized finish.

* Eagle Grip Clip (hoodless)

PIN CONTACTS

| CONNECTOR TYPE ACC. TO | MIL P/N | PRECI-DIP P/N | MATING END SIZE | WIRE BARREL SIZE | TYPE | CLASS |
|--------------------------------------|---------------|---------------|-----------------|------------------|------|-------|
| | M39029/1-100 | 82151-7Q4-01 | 16 | 22 | A | B |
| | M39029/1-101 | 82161-7Q4-01 | 16 | 20 | A | B |
| AS81714, Series I | M39029/1-102 | 82171-7Q4-01 | 14 | 16 | A | B |
| | M39029/1-103 | 82181-7Q4-01 | 12 | 12 | A | B |
| MIL-DTL-26482, Series 2 | | | | | | |
| AS81703, Series 3 | M39029/4-110 | 82071-7Q4-01 | 20 | 20 | A | B |
| MIL-DTL-83723, Series 1, 3 | M39029/4-111 | 82081-7Q4-01 | 16 | 16 | A | B |
| MIL-DTL-83733 | M39029/4-113 | 82091-7Q4-01 | 12 | 12 | A | B |
| AS50151, Series 3450 | M39029/29-212 | 82111-7Q4-01 | 16 | 16 | A | B |
| MIL-DTL-83723, Series 2 | M39029/29-213 | 82121-6Q0-01 | 12 | 12 | A | B |
| MIL-DTL-26500 | | | | | | |
| MIL-DTL-26518, Class R | M39029/31-627 | 82141-7Q4-01 | 20 | 20 | A | B |
| MIL-C-38300 | M39029/31-229 | 82101-7Q4-01 | 16 | 16 | A | B |
| MIL-DTL-26482, Series 1 | M39029/31-240 | 82051-7Q4-01 | 20 | 20 | A | A |
| AS81703, Series 2 | M39029/31-228 | 82131-7Q4-01 | 16 | 16 | A | A |
| MIL-DTL-38999, Series I, II, III, IV | | | | | | |
| MIL-DTL-24308 | M39029/58-360 | 82011-7Q4-01 | 22 | 22D | A | B |
| | M39029/58-363 | 82021-7Q4-01 | 20 | 20 | A | B |
| | M39029/58-364 | 82031-7Q4-01 | 16 | 16 | A | B |
| MIL-DTL-55302/69 | M39029/58-365 | 82041-7Q4-01 | 12 | 12 | A | B |
| MIL-DTL-83733 | | | | | | |
| MIL-DTL-24308 | M39029/64-369 | 82061-7Q4-01 | 20 | 20 | A | A |

Listed part numbers are of localized finish (except M39029/29-213). For overall plating please contact us.



ENJOY THE BENEFITS

HEADED FOR SUCCESS

Awards from prestigious institutions and customers. Major certifications. World-wide recognition. For ongoing innovation, perfect teamwork, environmental responsibility as well as entrepreneurial excellence and sustained growth. In short, for Swiss quality.

- Complete range of highly reliable interconnect components
- Diverse fields of application
- Effective management system
- In-house manufacturing –from raw material to finished product
- Highly skilled and motivated workforce
- Strong customer support
- Custom design
- Competitive pricing, flexibility and Swiss quality
- Worldwide presence
- Prestigious client base

AROUND THE WORLD

More than 100 Distributors around the world distribute PRECI-DIP products across the five continents.



www.precidip.com



Компания «ЭлектроПласт» предлагает заключение долгосрочных отношений при поставках импортных электронных компонентов на взаимовыгодных условиях!

Наши преимущества:

- Оперативные поставки широкого спектра электронных компонентов отечественного и импортного производства напрямую от производителей и с крупнейших мировых складов;
- Поставка более 17-ти миллионов наименований электронных компонентов;
- Поставка сложных, дефицитных, либо снятых с производства позиций;
- Оперативные сроки поставки под заказ (от 5 рабочих дней);
- Экспресс доставка в любую точку России;
- Техническая поддержка проекта, помощь в подборе аналогов, поставка прототипов;
- Система менеджмента качества сертифицирована по Международному стандарту ISO 9001;
- Лицензия ФСБ на осуществление работ с использованием сведений, составляющих государственную тайну;
- Поставка специализированных компонентов (Xilinx, Altera, Analog Devices, Intersil, Interpoint, Microsemi, Aeroflex, Peregrine, Syfer, Eurofarad, Texas Instrument, Miteq, Cobham, E2V, MA-COM, Hittite, Mini-Circuits, General Dynamics и др.);

Помимо этого, одним из направлений компании «ЭлектроПласт» является направление «Источники питания». Мы предлагаем Вам помощь Конструкторского отдела:

- Подбор оптимального решения, техническое обоснование при выборе компонента;
- Подбор аналогов;
- Консультации по применению компонента;
- Поставка образцов и прототипов;
- Техническая поддержка проекта;
- Защита от снятия компонента с производства.



Как с нами связаться

Телефон: 8 (812) 309 58 32 (многоканальный)

Факс: 8 (812) 320-02-42

Электронная почта: org@eplast1.ru

Адрес: 198099, г. Санкт-Петербург, ул. Калинина, дом 2, корпус 4, литера А.