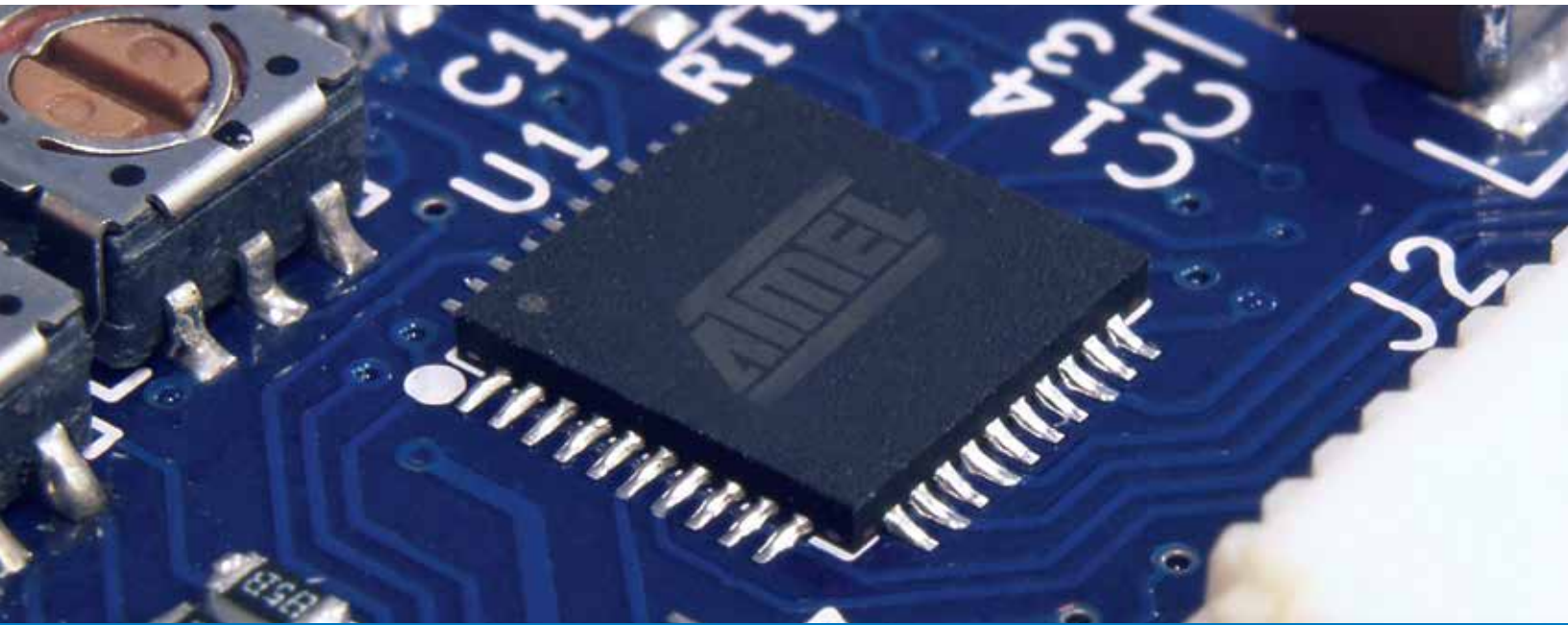


Atmel®



Atmel LED Driver Technology

Smart LED Power Management for
Efficiency, Programmability and Scalability

Atmel LED Driver Technology

Atmel® LED drivers offer system-centric, mixed-signal LED driver ICs for the backlighting and solid-state lighting markets. This broad-based and rapidly growing market includes LCD TVs, PC monitors, specialty panels (industrial, military, medical, avionics, etc.) and general illumination (commercial, residential, industrial and government).

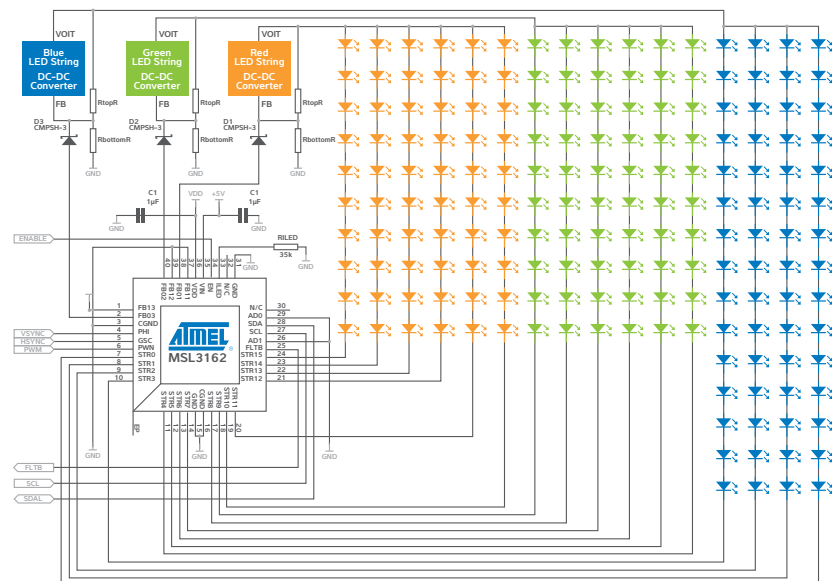
Our LED drivers utilize a proprietary and patented combination of analog and digital circuit techniques. The products provide solutions for local and global dimming, power management, signal conditioning and smart interfacing. Using these drivers, electronic equipment manufacturers can significantly enhance product features, while improving power efficiency, reliability and cost/performance.

Multi-string Solution

Our compact, high-power LED drivers are ideal for multi LED string applications such as direct backlight/edge-lit LCD panels and high-brightness solid-state lighting applications. The LED drivers consist of three product families:

- The highest integration LED driver family offers internal boost controller and internal current control MOSFET to sink up to 30mA per string. These devices can drive up to 6 strings with up to 12 white LEDs per string, for a total of 72 LEDs per device, scalable up to 4 devices. These solutions address the design simplicity, small BOM and internal digital compensation requirements of the notebook, industrial and medical LCD panel markets.
- The second LED driver family offers efficiency, power, controllability and programmability, all in one compact solution. These devices adaptively control the DC-DC/AC-DC converters that power the LED strings, using Atmel's Efficiency Optimizer technology. These Efficiency Optimizers minimize power consumption while maintaining LED current accuracy. The high-power LED string drivers use internal current control MOSFETs to sink up to 100mA per string, and can drive 16 parallel strings of 10 white LEDs each, for a total of 160 white LEDs per device. Sixteen interconnected devices control up to 2,560 white LEDs. Each string can be controlled individually to enable area (zone) dimming for highest dynamic range and significantly reduced power usage. These devices address direct backlight LCD panels and monitor applications.
- The third LED driver family also features Efficiency Optimizer technology, but uses external current control MOSFETs to sink up to 1A per string. The devices can drive up to eight parallel strings of LEDs and offer fault detection and management of open-circuit and short-circuit LEDs. These devices address the edge-lit and high-brightness solid-state lighting applications which require higher power as well as dimming via either external PWM signals or an analog current adjustable with an internal 8-bit DAC.

Typical Application Circuit for RGB Lighting/Backlighting



Atmel LED Driver Technology

Smart LED Power Management for Efficiency, Programmability and Scalability

Efficiency Optimizer

The Efficiency Optimizer technology consists of proprietary circuitry which controls a wide range of different architectures of external DC/DC and AC/DC converters. Multiple drivers in a system communicate with each other in real time to select an optimized operating voltage for the LEDs. This allows you to design the power supply for the worst case LED forward voltage (V_f) without worrying about excessive power dissipation issues.

During the start-up sequence, the LED drivers automatically reduce the power supply voltage to the minimum voltage required to keep the LEDs in current regulation. The devices can be configured to periodically perform this optimization to compensate for changes in the LED forward voltage, and to assure continued optimum power savings.

Programmability

An on-chip E²PROM holds all the default control register values. At power-up, the data in the E²PROM automatically copies directly to the control registers, setting up the device for operation.

Scalability

A number of LED drivers feature a 20MHz SPI serial interface, or 1MHz I²C serial interface. Both interfaces support video frame-by-frame LED string intensity control for up to 16 interconnected devices to allow active area dimming. The devices include an advanced PWM engine that easily synchronizes to a video signal, and per-string phase adjustment to reduce unwanted LCD artifacts such as motion blur.

Atmel LED Driver Parametric Table

Atmel's LED Driver ICs																
Part Number	Application	DC/DC EO	Boost	Strings						Dimming				External VSYNC	Interface	
				#	FETs	Istr	# of LEDs Per String	Matching Max	Fault Detec	String Current		String PWM				String Phasing
										Global	Per String	Global	Per String			
MSL1060	Notebooks, Industrial and Medical	-	internal 1.1MHz	6	Internal	30mA	12	1.5%	OC, SC	-	-	-	-	-	-	PWM
MSL1061										4 bits + R	-	8 bits	-	-	-	I ² C
MSL1064										-	-	-	-	-	-	
MSL2041	Edgelit and Solid State Lighting	1	External	4	External	1A	DENR	1.0%	OC, SC	-	-	-	Auto	=PWM	4 PWM	
MSL2042		1		4						4 bits + R	-	8 bits	-	Auto	=PWM	PWM
MSL2100		3		8						-	-	8 bits	-	8 bits	Yes	I ² C
MSL3082		1		8						-	-	8 bits	-	8 bits	Yes	I ² C
MSL3085		1		8						R	-	-	-	12 bits	Yes	I ² C
MSL2160		3		16						8 bits	-	12 bits	12 bits	Yes	SPI	
MSL3162		3		16						R	8 bits	6 bits	8 bits	8 bits	Yes	I ² C
MSL3163	Direct Backlight	3	16	100mA	10	3%	OC, SC	8 bits + R	8 bits	8 bits	12 bits	12 bits	Yes	I ² C		
MSL3164		3	16					8 bits + R	8 bits	8 bits	12 bits	12 bits	Yes	SPI		
MSL3165A	Monitor	1	External	16	Internal	30mA	10	3%	OC, SC	R	-	-	PWM	-	=PWM	PWM I ² C
MSL3166A		1	16	R	-					-	PWM	Auto	=PWM	PWM I ² C		
MSL3167		1	16	R	-					-	PWM	-	=PWM	PWM I ² C		
MSL3168		1	16	R	-					-	PWM	Auto	=PWM	PWM I ² C		
MSL4164		1	16	R	-					-	PWM	Auto	=PWM	PWM I ² C		

EO=Efficiency Optimizer, DENR=Determine by External NFET Ratings, OC=Open Circuit, SC=Short Circuit, R=External Resistor

Atmel LED Driver Technology

Smart LED Power Management for Efficiency, Programmability and Scalability



Atmel Corporation 1600 Technology Drive, San Jose, CA 95110 USA **T:** (+1)(408) 441-0311 **F:** (+1)(408) 487-2600 | **www.atmel.com**

© 2012 Atmel Corporation. All rights reserved. Rev.: 41000-MEM-LEDDriverTech-E-US_09/12

Atmel®, Atmel logo and combinations thereof, and others are registered trademarks or trademarks of Atmel Corporation or its subsidiaries. Other terms and product names may be trademarks of others.

Disclaimer: The information in this document is provided in connection with Atmel products. No license, express or implied, by estoppel or otherwise, to any intellectual property right is granted by this document or in connection with the sale of Atmel products. EXCEPT AS SET FORTH IN THE ATMEL TERMS AND CONDITIONS OF SALES LOCATED ON THE ATMEL WEBSITE, ATMEL ASSUMES NO LIABILITY WHATSOEVER AND DISCLAIMS ANY EXPRESS, IMPLIED OR STATUTORY WARRANTY RELATING TO ITS PRODUCTS INCLUDING, BUT NOT LIMITED TO, THE IMPLIED WARRANTY OF MERCHANTABILITY, FITNESS FOR A PARTICULAR PURPOSE, OR NON-INFRINGEMENT. IN NO EVENT SHALL ATMEL BE LIABLE FOR ANY DIRECT, INDIRECT, CONSEQUENTIAL, PUNITIVE, SPECIAL OR INCIDENTAL DAMAGES (INCLUDING, WITHOUT LIMITATION, DAMAGES FOR LOSS AND PROFITS, BUSINESS INTERRUPTION, OR LOSS OF INFORMATION) ARISING OUT OF THE USE OR INABILITY TO USE THIS DOCUMENT, EVEN IF ATMEL HAS BEEN ADVISED OF THE POSSIBILITY OF SUCH DAMAGES. Atmel makes no representations or warranties with respect to the accuracy or completeness of the contents of this document and reserves the right to make changes to specifications and products descriptions at any time without notice. Atmel does not make any commitment to update the information contained herein. Unless specifically provided otherwise, Atmel products are not suitable for, and shall not be used in, automotive applications. Atmel products are not intended, authorized, or warranted for use as components in applications intended to support or sustain life.



Компания «ЭлектроПласт» предлагает заключение долгосрочных отношений при поставках импортных электронных компонентов на взаимовыгодных условиях!

Наши преимущества:

- Оперативные поставки широкого спектра электронных компонентов отечественного и импортного производства напрямую от производителей и с крупнейших мировых складов;
- Поставка более 17-ти миллионов наименований электронных компонентов;
- Поставка сложных, дефицитных, либо снятых с производства позиций;
- Оперативные сроки поставки под заказ (от 5 рабочих дней);
- Экспресс доставка в любую точку России;
- Техническая поддержка проекта, помощь в подборе аналогов, поставка прототипов;
- Система менеджмента качества сертифицирована по Международному стандарту ISO 9001;
- Лицензия ФСБ на осуществление работ с использованием сведений, составляющих государственную тайну;
- Поставка специализированных компонентов (Xilinx, Altera, Analog Devices, Intersil, Interpoint, Microsemi, Aeroflex, Peregrine, Syfer, Eurofarad, Texas Instrument, Miteq, Cobham, E2V, MA-COM, Hittite, Mini-Circuits, General Dynamics и др.);

Помимо этого, одним из направлений компании «ЭлектроПласт» является направление «Источники питания». Мы предлагаем Вам помощь Конструкторского отдела:

- Подбор оптимального решения, техническое обоснование при выборе компонента;
- Подбор аналогов;
- Консультации по применению компонента;
- Поставка образцов и прототипов;
- Техническая поддержка проекта;
- Защита от снятия компонента с производства.



Как с нами связаться

Телефон: 8 (812) 309 58 32 (многоканальный)

Факс: 8 (812) 320-02-42

Электронная почта: org@eplast1.ru

Адрес: 198099, г. Санкт-Петербург, ул. Калинина, дом 2, корпус 4, литера А.