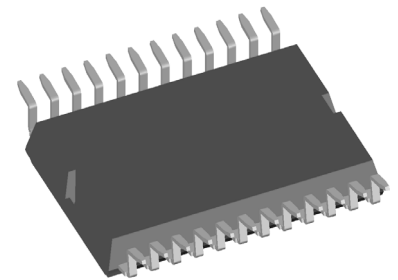


Three phase full Bridge

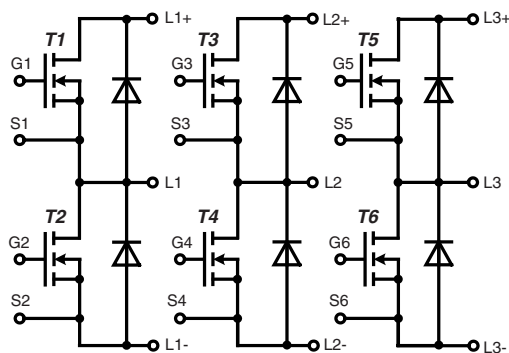
with Trench MOSFETs
in DCB isolated high current package

$V_{DSS} = 75\text{ V}$
 $I_{D25} = 255\text{ A}$
 $R_{DSon\ typ.} = 1.1\text{ m}\Omega$

Part number
MTI200WX75GD



Surface Mount Device



Features / Advantages:

- MOSFETs in trench technology:
 - low R_{DSon}
 - optimized intrinsic reverse diode
- package:
 - high level of integration
 - high current capability
 - aux. terminals for MOSFET gate control
 - terminals for soldering or welding connections
 - isolated DCB ceramic base plate with optimized heat transfer
- Space and weight savings
- High current capability

Applications:

- AC drives
 - in automobiles
 - electric power steering
 - starter generator
 - in industrial vehicles
 - propulsion drives
 - fork lift drives
- Battery supplied equipment
- DC-DC converter

Package: ISOPLUS-DIL®

- High level of integration
- RoHS compliant
- Terminals for soldering or welding connections
- Space and weight savings
- High reliability
- Low thermal impedance

Terms & Conditions of usage

The data contained in this product data sheet is exclusively intended for technically trained staff. The user will have to evaluate the suitability of the product for the intended application and the completeness of the product data with respect to his application. The specifications of our components may not be considered as an assurance of component characteristics. The information in the valid application- and assembly notes must be considered. Should you require product information in excess of the data given in this product data sheet or which concerns the specific application of your product, please contact your local sales office.

Due to technical requirements our product may contain dangerous substances. For information on the types in question please contact your local sales office.

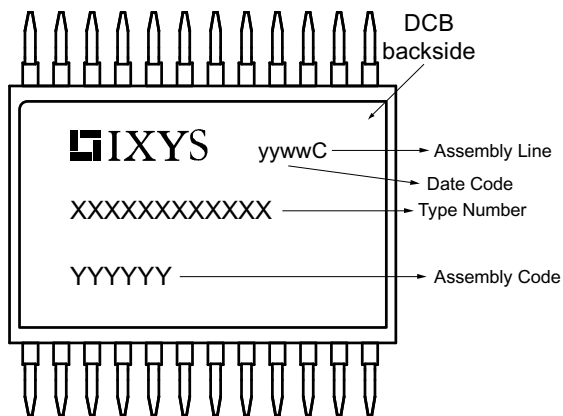
Should you intend to use the product in aviation, in health or life endangering or life support applications, please notify. For any such application we urgently recommend

- to perform joint risk and quality assessments;
- the conclusion of quality agreements;

- to establish joint measures of an ongoing product survey, and that we may make delivery dependent on the realization of any such measures.

MOSFETs				Ratings		
Symbol	Definitions	Conditions	min.	typ.	max.	Unit
V_{DSS}	drain source breakdown voltage	$T_{VJ} = 25^{\circ}\text{C to } 150^{\circ}\text{C}$			75	V
V_{GS}	max. DC gate source voltage				± 15	V
V_{GSM}	max. transient gate source voltage				± 20	V
I_{D25}	continuous drain current	$T_C = 25^{\circ}\text{C}$			255	A
I_{D90}	(die capability)	$T_C = 90^{\circ}\text{C}$			190	A
$R_{DS(on)}^{1)}$	static drain source on resistance	on chip level at $I_D = 100\text{ A}; V_{GS} = 10\text{ V}$		1.1 1.8	1.3	m Ω m Ω
$V_{GS(th)}$	gate threshold voltage	$I_D = 275\ \mu\text{A}; V_{DS} = V_{GS}$	2.3	3.1	3.8	V
I_{DSS}	drain source leakage current	$V_{DS} = V_{DSS}; V_{GS} = 0\text{ V}$		10	1 100	μA μA
I_{GSS}	gate source leakage current	$V_{GS} = \pm 20\text{ V}; V_{DS} = 0\text{ V}$			500	nA
R_G	gate resistance	on chip		2.7		Ω
C_{iss}	input capacitance	} $V_{GS} = 0\text{ V}; V_{DS} = 38\text{ V}; f = 1\text{ Mhz}$		10.8	14.4	nF
C_{oss}	output capacitance		2.42	3.22	nF	
C_{rss}	reverse transfer capacitance		110	-	pF	
Q_g	total gate charge	} $V_{GS} = 10\text{ V}; V_{DS} = 38\text{ V}; I_D = 100\text{ A}$		155		nC
Q_{gs}	gate source charge		53		nC	
Q_{gd}	gate drain (Miller) charge		32		nC	
$t_{d(on)}$	turn-on delay time	} inductive load $V_{GS} = 10\text{ V}; V_{DS} = 30\text{ V}$ $I_D = 100\text{ A}; R_G = 27\ \Omega$		145		ns
t_r	current rise time		$T_{VJ} = 125^{\circ}\text{C}$	70		ns
$t_{d(off)}$	turn-off delay time		520		ns	
t_f	current fall time		55		ns	
E_{on}	turn-on energy per pulse		80		μJ	
E_{off}	turn-off energy per pulse		350		μJ	
$E_{rec(off)}$	turn-off reverse recovery losses	8		μJ		
R_{thJC}	thermal resistance junction to case			0.85		K/W
R_{thJH}	thermal resistance junction to heatsink	with heat transfer paste (IXYS test setup)		1.1	1.4	K/W
		$^{1)} V_{DS} = I_D \cdot (R_{DS(on)} + 2 \cdot R_{Pin\ to\ Chip})$				
Source-Drain Diode						
I_{F25}	forward current (body diode)	$V_{GS} = 0\text{ V}$			175	A
I_{F90}					100	A
V_{SD}	source drain voltage	$I_F = 100\text{ A}; V_{GS} = 0\text{ V}$		0.9	1.2	V
Q_{RM}	reverse recovery charge	} $V_R = 30\text{ V}; I_F = 100\text{ A}$ $R_G = 27\ \Omega$		730		nC
I_{RM}	max. reverse recovery current		27		A	
t_{rr}	reverse recovery time		42		ns	

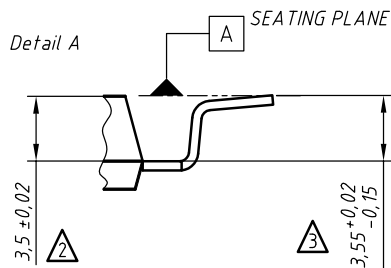
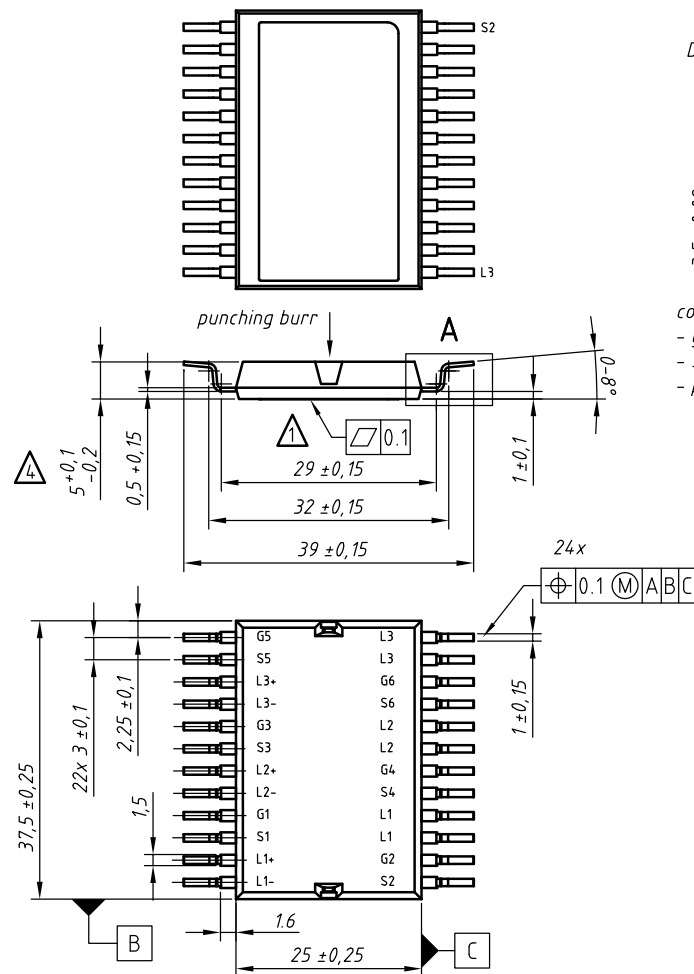
Package ISOPLUS-DIL®			Ratings			
Symbol	Definitions	Conditions	min.	typ.	max.	Unit
I_{RMS}	RMS current	per pin in main current paths (L1+...L3+, L1-...L3-, L1...L3) may be additionally limited by external connections (PCB tracks) 2 pins for output L1, L2, L3			75	A
T_{stg}	storage temperature		-55		125	°C
T_{op}	operation temperature		-55		150	°C
T_{vj}	virtual junction temperature		-55		175	°C
Weight				13		g
F_C	mounting force with clip		50		250	N
V_{ISOL}	isolation voltage	$t = 1$ second	50/60 Hz, RMS, $I_{ISOL} \leq 1$ mA	1200		V
		$t = 1$ minute		1000		V
$R_{pin-chip}$	resistance terminal to chip	$V_{DS} = I_D \cdot (R_{DS(on)} + 2 \cdot R_{pin\ to\ chip})$		0.5		mΩ
C_P	coupling capacity	between shorted pins and back side metallization		160		pF


Part number

- M = MOSFET
- T = Trench
- I = Infineon Trench
- 200 = Current Rating [A]
- WX = 6-Pack with separated phase legs
- 75 = Reverse Voltage [V]
- GD = ISOPLUS-DIL

Ordering	Part Name	Marking on Product	Delivering Mode	Base Qty	Ordering Code
Standard	MTI200WX75GD-SMD	MTI200WX75GD	Tube	13	516955

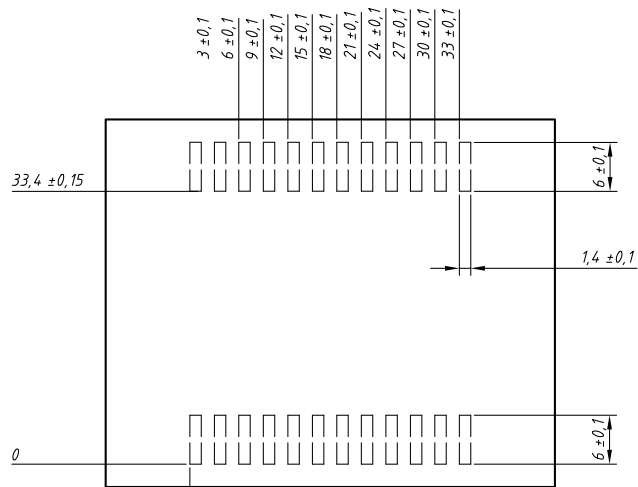
Outlines ISOPLUS-DIL®



contact pin:

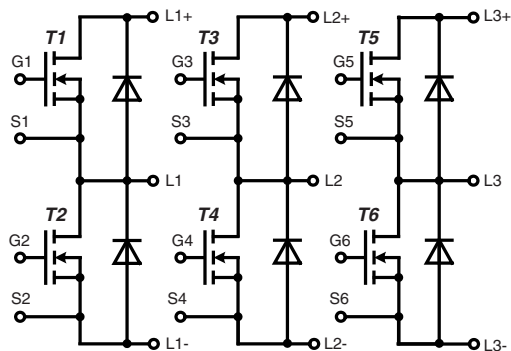
- galv. tin plating, per pin side: Sn 10...25 µm, undercoating Ni 0,2...1 µm
- stamping edges may be free of tin
- punching burr: ≤ 0,05mm

- △1 Convex bow of substrate, typ. 10-40 µm longitudinal and 5-15 µm transversal
- △2 Distance between pin and case bottom side.
- △3 Distance between pin and contact surface.
- △4 Distance between parallel planes aligned to top and bottom sides of the package



Remarks:

- 1) pin layout / dimensions are conditionally
- 2) soldering paste thickness: 200µm



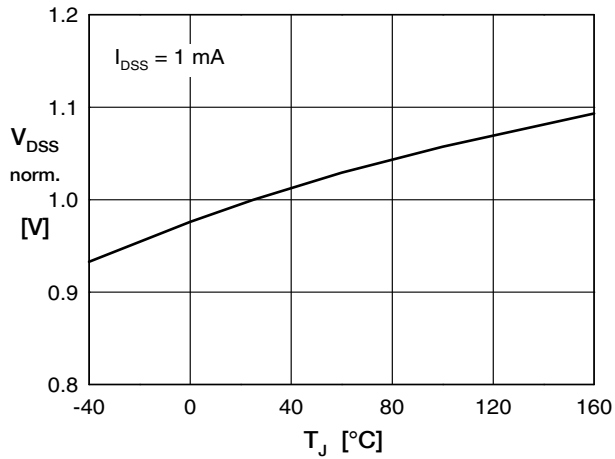


Fig. 1 Drain source breakdown voltage V_{DSS} vs. junction temperature T_{VJ}

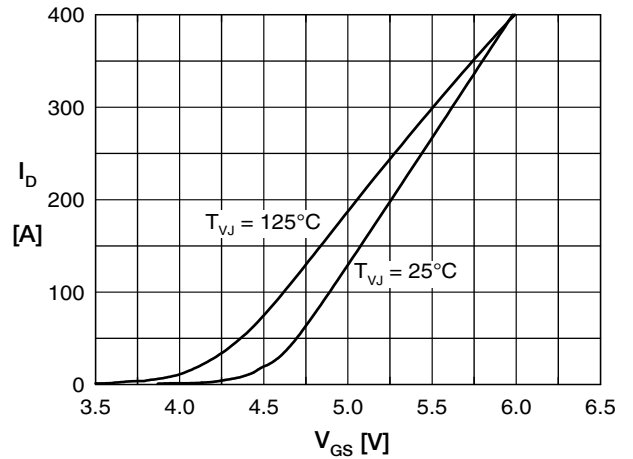


Fig. 2 Typ. transfer characteristics

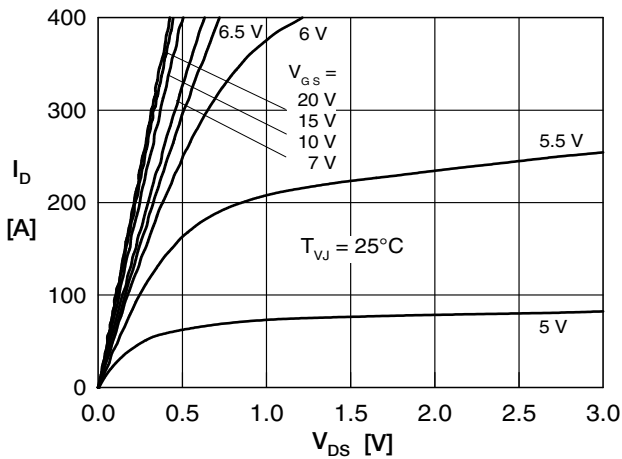


Fig. 3 Typ. output characteristics on die level

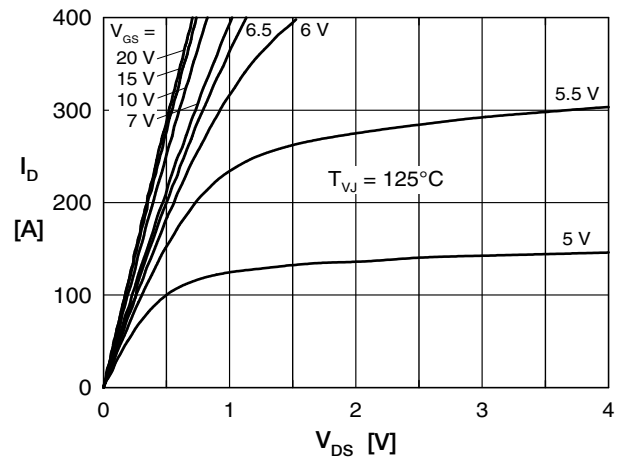


Fig. 4 Typ. output characteristics on die level

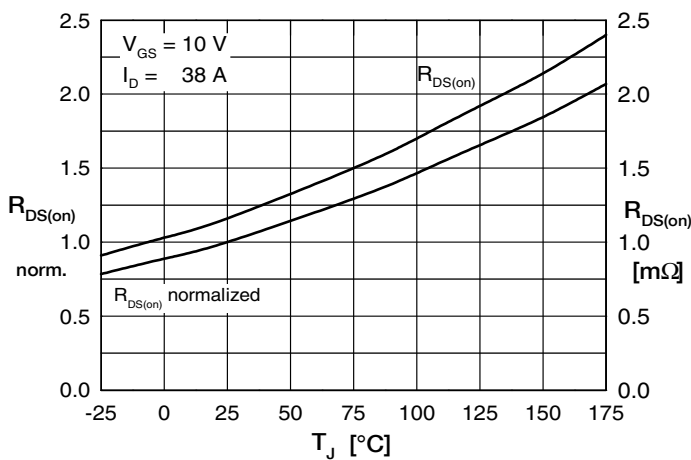


Fig. 5 Drain source on-state resistance $R_{DS(on)}$ vs. junction temperature T_{VJ} , on die level

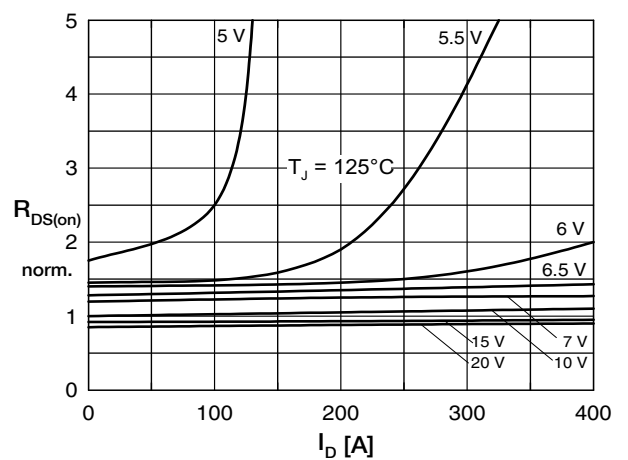


Fig. 6 Drain source on-state resistance $R_{DS(on)}$ versus I_D , on die level

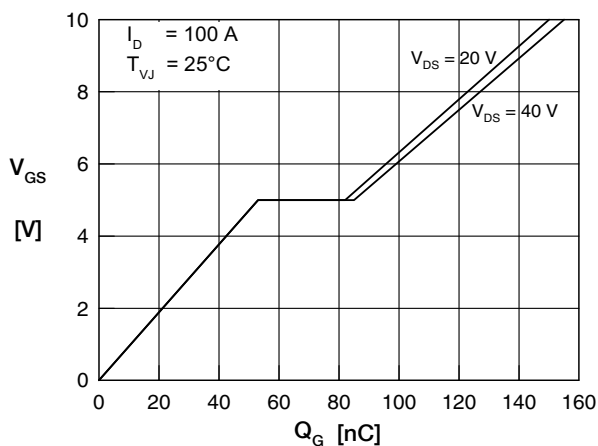


Fig. 7 Typical turn on gate charge

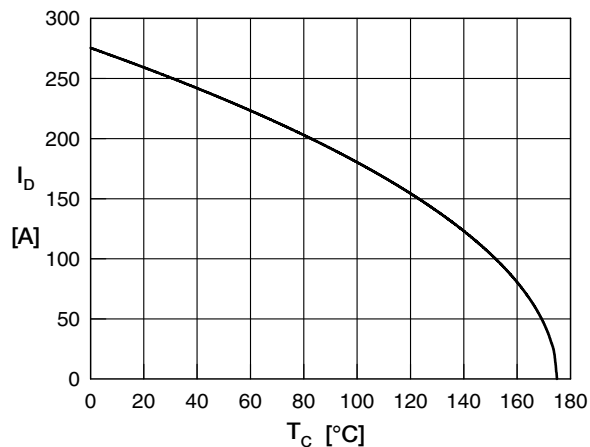
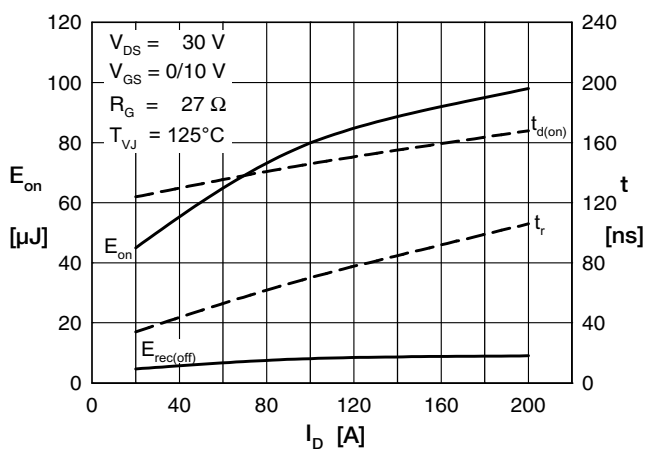

 Fig. 8 Drain current I_D vs. case temperature T_C (Chip capability)


Fig. 9 Typ. turn-on energy and switching times versus drain current, inductive switching

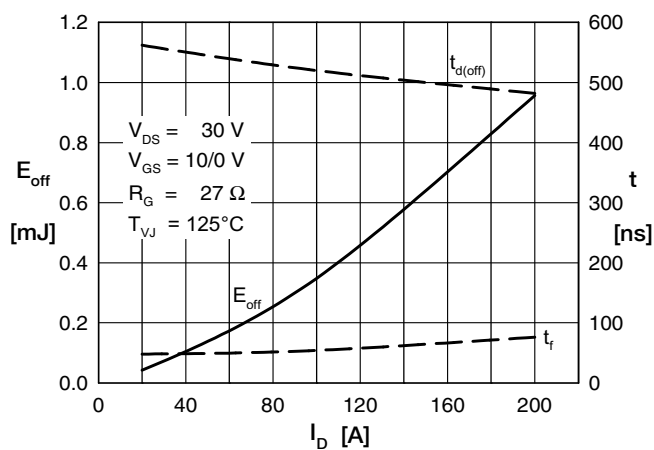


Fig. 10 Typ. turn-off energy and switching times versus drain-current, inductive switching

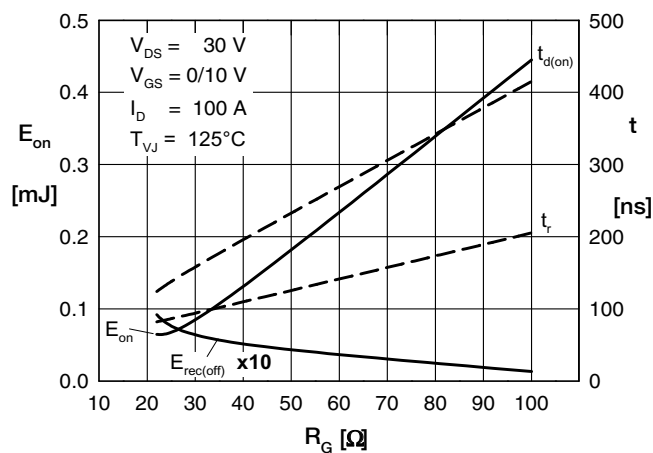


Fig. 11 Typ. turn-on energy and switching times versus gate resistor, inductive switching

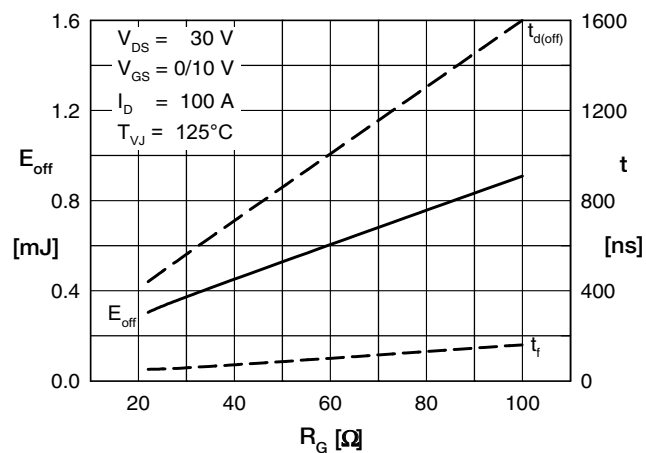


Fig. 12 Typ. turn-off energy and switching times versus gate resistor, inductive switching

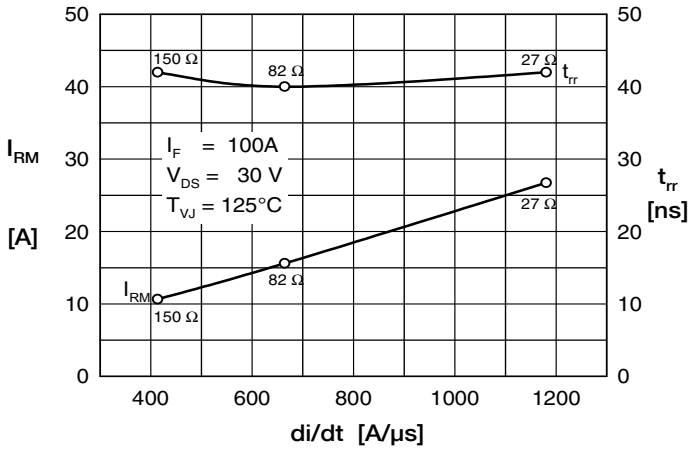


Fig. 13 Typ. reverse recovery characteristics

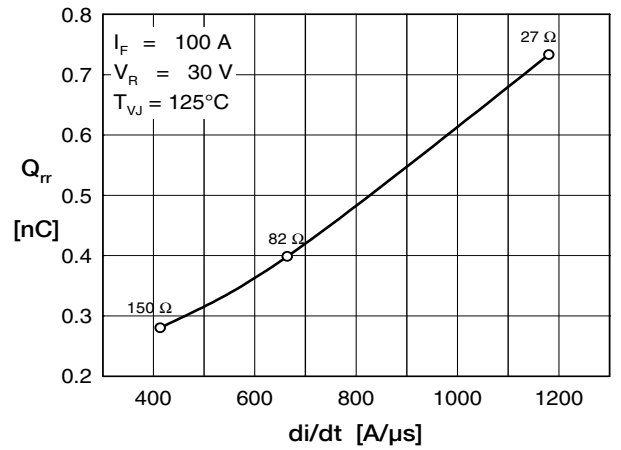


Fig. 14 Typ. reverse recovery characteristics

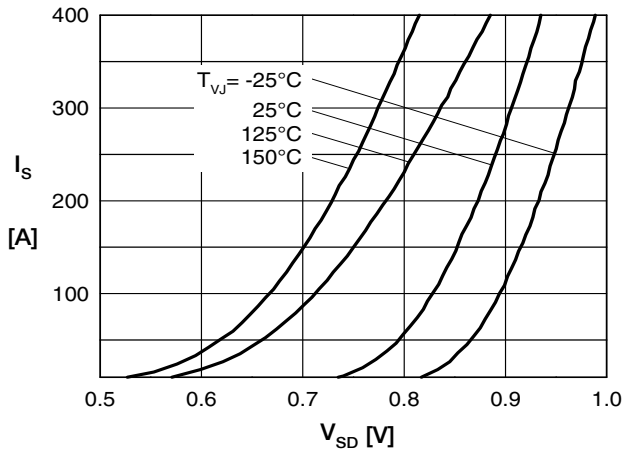


Fig.15 Source current I_s vs. source drain voltage V_{SD} (body diode) on die level

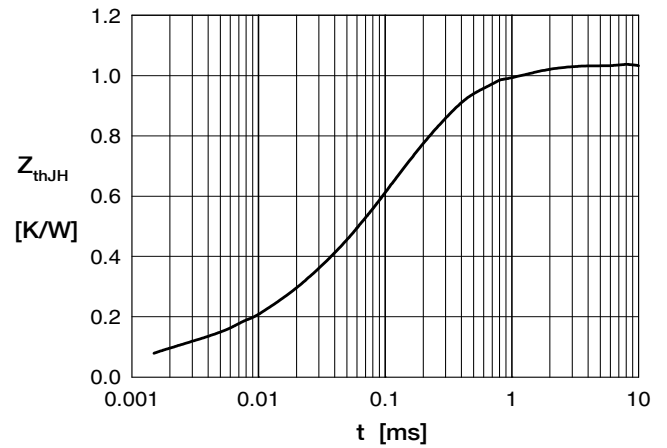


Fig. 16 Typ. thermal impedance junction to heatsink Z_{thJH} with heat transfer paste (IXYS test setup)

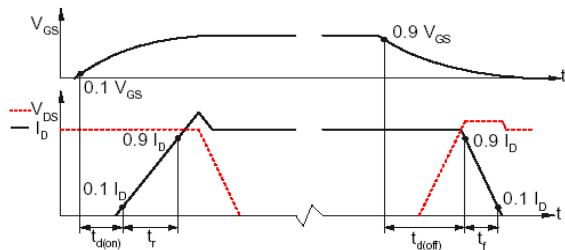


Fig. 17 Definition of switching times



Компания «ЭлектроПласт» предлагает заключение долгосрочных отношений при поставках импортных электронных компонентов на взаимовыгодных условиях!

Наши преимущества:

- Оперативные поставки широкого спектра электронных компонентов отечественного и импортного производства напрямую от производителей и с крупнейших мировых складов;
- Поставка более 17-ти миллионов наименований электронных компонентов;
- Поставка сложных, дефицитных, либо снятых с производства позиций;
- Оперативные сроки поставки под заказ (от 5 рабочих дней);
- Экспресс доставка в любую точку России;
- Техническая поддержка проекта, помощь в подборе аналогов, поставка прототипов;
- Система менеджмента качества сертифицирована по Международному стандарту ISO 9001;
- Лицензия ФСБ на осуществление работ с использованием сведений, составляющих государственную тайну;
- Поставка специализированных компонентов (Xilinx, Altera, Analog Devices, Intersil, Interpoint, Microsemi, Aeroflex, Peregrine, Syfer, Eurofarad, Texas Instrument, Miteq, Cobham, E2V, MA-COM, Hittite, Mini-Circuits, General Dynamics и др.);

Помимо этого, одним из направлений компании «ЭлектроПласт» является направление «Источники питания». Мы предлагаем Вам помощь Конструкторского отдела:

- Подбор оптимального решения, техническое обоснование при выборе компонента;
- Подбор аналогов;
- Консультации по применению компонента;
- Поставка образцов и прототипов;
- Техническая поддержка проекта;
- Защита от снятия компонента с производства.



Как с нами связаться

Телефон: 8 (812) 309 58 32 (многоканальный)

Факс: 8 (812) 320-02-42

Электронная почта: org@eplast1.ru

Адрес: 198099, г. Санкт-Петербург, ул. Калинина, дом 2, корпус 4, литера А.