



Is Now Part of



ON Semiconductor®

To learn more about ON Semiconductor, please visit our website at
www.onsemi.com

Please note: As part of the Fairchild Semiconductor integration, some of the Fairchild orderable part numbers will need to change in order to meet ON Semiconductor's system requirements. Since the ON Semiconductor product management systems do not have the ability to manage part nomenclature that utilizes an underscore (_), the underscore (_) in the Fairchild part numbers will be changed to a dash (-). This document may contain device numbers with an underscore (_). Please check the ON Semiconductor website to verify the updated device numbers. The most current and up-to-date ordering information can be found at www.onsemi.com. Please email any questions regarding the system integration to Fairchild_questions@onsemi.com.

ON Semiconductor and the ON Semiconductor logo are trademarks of Semiconductor Components Industries, LLC dba ON Semiconductor or its subsidiaries in the United States and/or other countries. ON Semiconductor owns the rights to a number of patents, trademarks, copyrights, trade secrets, and other intellectual property. A listing of ON Semiconductor's product/patent coverage may be accessed at www.onsemi.com/site/pdf/Patent-Marking.pdf. ON Semiconductor reserves the right to make changes without further notice to any products herein. ON Semiconductor makes no warranty, representation or guarantee regarding the suitability of its products for any particular purpose, nor does ON Semiconductor assume any liability arising out of the application or use of any product or circuit, and specifically disclaims any and all liability, including without limitation special, consequential or incidental damages. Buyer is responsible for its products and applications using ON Semiconductor products, including compliance with all laws, regulations and safety requirements or standards, regardless of any support or applications information provided by ON Semiconductor. "Typical" parameters which may be provided in ON Semiconductor data sheets and/or specifications can and do vary in different applications and actual performance may vary over time. All operating parameters, including "Typicals" must be validated for each customer application by customer's technical experts. ON Semiconductor does not convey any license under its patent rights nor the rights of others. ON Semiconductor products are not designed, intended, or authorized for use as a critical component in life support systems or any FDA Class 3 medical devices or medical devices with a same or similar classification in a foreign jurisdiction or any devices intended for implantation in the human body. Should Buyer purchase or use ON Semiconductor products for any such unintended or unauthorized application, Buyer shall indemnify and hold ON Semiconductor and its officers, employees, subsidiaries, affiliates, and distributors harmless against all claims, costs, damages, and expenses, and reasonable attorney fees arising out of, directly or indirectly, any claim of personal injury or death associated with such unintended or unauthorized use, even if such claim alleges that ON Semiconductor was negligent regarding the design or manufacture of the part. ON Semiconductor is an Equal Opportunity/Affirmative Action Employer. This literature is subject to all applicable copyright laws and is not for resale in any manner.

FSA6157 Low- R_{ON} SPDT (0.8 Ω) Negative-Swing Audio or Video Switch

Features

- 0.8 Ω Typical On Resistance (R_{ON}) for +2.7V Supply
- 0.45 Ω Maximum R_{ON} Flatness for +2.7V Supply
- -3db Bandwidth: > 50MHz
- Low I_{CC} Current Over an Expanded Control Input Range
- Packaged in Pb-free 6-Lead MicroPak™ (1.0 x 1.4mm)
- Power-Off Protection on All I/O Ports
- Broad V_{CC} Operating Range: 1.65 to 4.3V
- HBM JEDEC: JESD22-A114
 - I/O to GND: 12kV
- Power to GND: 16kV

Applications

- Cell Phone, PDA, Digital Camera, and Notebook
- LCD Monitor, TV, and Set-top Box

Description


The FSA6157 is a high-performance, Single Pole Double Throw (SPDT) analog switch that features a low R_{ON} of 0.8 Ω (typical) at 2.7V supply. The FSA6157 operates over a wide V_{CC} range of 1.65V to 4.3V and is designed for break-before-make operation. The select input is TTL-level compatible.

The FSA6157 features very low quiescent current even when the control voltage is lower than the V_{CC} supply. This feature suits mobile handset applications by allowing direct interface with baseband processor general-purpose I/Os with minimal battery consumption.

IMPORTANT NOTE:

For additional performance information, please contact analogswitch@fairchildsemi.com.

Ordering Information

Part Number	Top Mark	 Eco Status	Package Description
FSA6157L6X	GT	Green	6-Lead, MicroPak™, 1.0mm wide, JEDEC MO-255

 For Fairchild's definition of Eco Status, please visit: http://www.fairchildsemi.com/company/green/rohs_green.html.

Analog Symbol

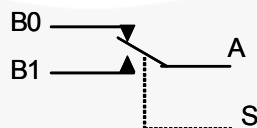


Figure 1. FSA6157

Pin Assignments

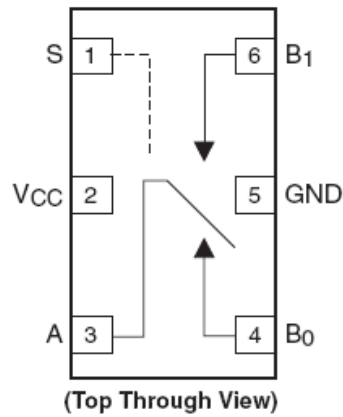


Figure 2. Pin Assignments for 6-Lead MicroPak™

Pin Descriptions

Name	Description
A, B ₀ , B ₁	Data Ports
S	Switch Select Pin

Truth Table

Control Input, S	Function
LOW	B ₀ connected to A
HIGH	B ₁ connected to A

Absolute Maximum Ratings

Stresses exceeding the absolute maximum ratings may damage the device. The device may not function or be operable above the recommended operating conditions and stressing the parts to these levels is not recommended. In addition, extended exposure to stresses above the recommended operating conditions may affect device reliability. The absolute maximum ratings are stress ratings only.

Symbol	Parameter		Min.	Max.	Units
V _{CC}	Supply Voltage		-0.5	4.6	V
V _{SW}	Switch I/O Voltage ⁽¹⁾	B0, B1, A Pins	V _{CC} - 5.5V	4.6	V
V _{SW-SW}	Switch I/O to Switch I/O Voltage Delta (Off State) ⁽¹⁾	B0, B1, A Pins		5.5	V
V _{CNTRL}	Control Input Voltage ⁽¹⁾	S	-0.5	4.6	V
I _{IK}	Input Clamp Diode Current			-50	mA
I _{SW}	Switch I/O Current (Continuous)			350	mA
I _{SWPEAK}	Peak Switch Current (Pulsed at 1ms Duration, <10% Duty Cycle)			500	mA
T _{STG}	Storage Temperature Range		-65	+150	°C
T _J	Maximum Junction Temperature			+150	°C
T _L	Lead Temperature (Soldering, 10 seconds)			+260	°C
ESD	Human Body Model (JEDEC: JESD22-A114)	I/O to GND		12	kV
		Power to GND		16	
		All Other Pins		8	
	Charge Device Model (JEDEC: JESD22-C101)				2

Note:

1. Input and output negative ratings may be exceeded if input and output diode current ratings are observed.

Recommended Operating Conditions

The Recommended Operating Conditions table defines the conditions for actual device operation. Recommended operating conditions are specified to ensure optimal performance to the datasheet specifications. Fairchild does not recommend exceeding them or designing to absolute maximum ratings.

Symbol	Parameter	Min.	Max.	Units
V _{CC}	Supply Voltage	1.65	4.3	V
V _{CNTRL} ⁽²⁾	Control Input Voltage – Select Pin	0	V _{CC}	V
V _{SW}	Switch I/O Voltage	V _{CC} - 4.3V	4.3	V
V _{SW-SW}	Switch I/O Voltage to Switch I/O Voltage (Off-State)		4.6	V
T _A	Operating Temperature	-40	85	°C

Note:

2. Input and output negative ratings may be exceeded if input and output diode current ratings are observed.

DC Electrical Characteristics

All typical values are at 25°C unless otherwise specified.

Symbol	Parameter	Conditions	V_{CC} (V)	$T_A=+25^\circ\text{C}$			$T_A=-40$ to $+85^\circ\text{C}$		Unit	
				Min.	Typ.	Max.	Min.	Max.		
	Analog Signal Range			$V_{CC}-4.3\text{V}$		V_{CC}			V	
V_{IK}	Clamp Diode Voltage		3.00					-1.2	V	
V_{IH}	Input Voltage High		3.60 to 4.30				1.4		V	
			2.70 to 3.60				1.3			
			2.30 to 2.70				1.3			
			1.65 to 1.95				0.9			
V_{IL}	Input Voltage Low		3.60 to 4.30					0.7	V	
			2.70 to 3.60					0.4		
			2.30 to 2.70					0.4		
			1.65 to 1.95					0.4		
I_{IN}	Control Input Leakage (S)	$V_{IN}=0$ to V_{CC}	4.30				-1	1	μA	
$I_{NO(OFF)}$, $I_{NC(OFF)}$	Off Leakage Current of Port B0 and B1	$A=0.5\text{V}$, $V_{CC}-0.5\text{V}$, $B0$ or $B1=V_{CC}-0.5\text{V}$, 0.5V , or Floating; Figure 4	1.95 to 4.30	-100		100	-500	500	nA	
$I_{A(ON)}$	On Leakage Current of Port A	$A=0.5\text{V}$, $V_{CC}-0.5\text{V}$, $B0$ or $B1=V_{CC}-0.5\text{V}$, 0.5V , or Floating; Figure 5	4.30	-100		100	-250	250	nA	
I_{OFF}	Power-Off Leakage Current (All I/O Ports)	$V_{A,BN}=0.3\text{V}$ to 4.3V or Floating,	0V or Floating				-40	40	μA	
R_{ON}	Switch On Resistance ^(3,6)		$I_{ON}=100\text{mA}$, $B0$ or $B1=0$, 0.7V , 3.6V , 4.3V ; Figure 3	4.30		0.4			0.8	Ω
			$I_{ON}=100\text{mA}$, $B0$ or $B1=0$, 0.7V , 2.0V , 2.7V ; Figure 3	2.70		0.8			1.0	
			$I_{ON}=100\text{mA}$, $B0$ or $B1=0$, 0.7V , 1.6V , 2.3V ; Figure 3	2.30					1.5	
			$I_{ON}=100\text{mA}$, $B0$ or $B1=0$, 0.7V , 1.65V ; Figure 3	1.65		1.3			2.0	
ΔR_{ON}	On Resistance Matching Between Channels ⁽⁴⁾	$I_{ON}=100\text{mA}$, $B0$ or $B1=0.7\text{V}$	2.30 to 4.30		0.050			0.130	Ω	
$R_{FLAT(ON)}$	On Resistance Flatness ⁽⁵⁾	$I_{OUT}=100\text{mA}$, $B0$ or $B1=0\text{V}$ to V_{CC}	2.70 to 4.30					0.45	Ω	
I_{CC}	Quiescent Supply Current	$V_{SW}=0$ or V_{CC} , $I_{OUT}=0$	4.30	-100		100	-500	500	nA	
I_{OCT}	Increase in I_{CC} per Input	Input at 2.6V	4.30		3.0			10.0	μA	
		Input at 1.8V			7.0					

Notes:

- On resistance is determined by the voltage drop between A and B pins at the indicated current through the switch.
- $\Delta R_{ON}=R_{ON\text{ max}} - R_{ON\text{ min}}$ measured at identical V_{CC} , temperature, and voltage.
- Flatness is defined as the difference between the maximum and minimum value of on resistance (R_{ON}) over the specified range of conditions.
- Guaranteed by characterization, not production tested.

AC Electrical Characteristics

All typical value are for V_{CC}=1.8V, 2.5V, 3.3V, and 4.0V at 25°C unless otherwise specified.

Symbol	Parameter	Conditions	V _{CC} (V)	T _A =+25°C			T _A =-40 to +85°C		Unit	Figure
				Min.	Typ.	Max.	Min.	Max.		
t _{ON}	Turn-On Time	B0 or B1=1.0V, R _L =50Ω, C _L =35pF	3.60 to 4.30	5		65	3	70	ns	Figure 6 Figure 7
			2.70 to 3.60	5		65	3	70		
			2.30 to 2.70	5		70	3	80		
			1.65 to 1.95	10		100	10	150		
t _{OFF}	Turn-Off Time	B0 or B1=1.0V, R _L =50Ω, C _L =35pF	3.60 to 4.30	1		35	1	45	ns	Figure 6 Figure 7
			2.70 to 3.60	1		35	1	45		
			2.30 to 2.70	2		45	2	50		
			1.65 to 1.95	2		70	2	95		
t _{BBM}	Break-Before-Make Time	B0 or B1=1.0V, R _L =50Ω, C _L =35pF	3.60 to 4.30				2		ns	Figure 8
			2.70 to 3.60				2			
			2.30 to 2.70				2			
			1.65 to 1.95				2			
Q	Charge Injection	C _L =1.0nF, V _S =0V, R _S =0Ω	3.60 to 4.30		25				pC	Figure 12
			2.70 to 3.60		15					
			2.30 to 2.70		12					
			1.65 to 1.95		5					
OIRR	Off Isolation	f=20kHz, R _L =50Ω, C _L =0pF	1.65 to 4.30		-60				dB	Figure 10
Xtalk	Crosstalk	f=20kHz, R _L =50Ω, C _L =0pF	1.65 to 4.30		-60				dB	Figure 11
BW	-3db Bandwidth	R _L =50Ω, C _L =0pF	1.65 to 4.30		>50				MHz	Figure 9
THD	Total Harmonic Distortion	f=20Hz to 20kHz, R _L =32Ω, V _{IN} =2V _{PP}	1.65 to 4.30		0.1				%	Figure 15
SNR	Signal to Noise Ratio	f=1kHz, R _L =32Ω, V _{IN} =0dBm, V _{BIAS} =0V	4.30		-70				dB	

Capacitance

Symbol	Parameter	Conditions	V _{CC} (V)	T _A =+25°C			Unit	Figure
				Min.	Typ.	Max.		
C _{IN}	Control Pin Input Capacitance	f=1MHz	0		3		pF	Figure 13
C _{OFF}	B Port Off Capacitance	f=1MHz	3.30			30	pF	Figure 13
C _{ON}	A Port On Capacitance	f=1MHz	3.30			150	pF	Figure 14

Test Diagrams

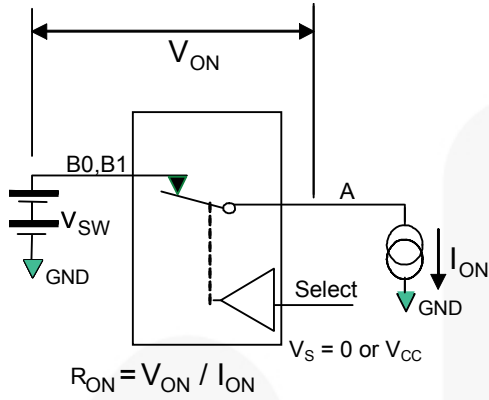


Figure 3. On Resistance

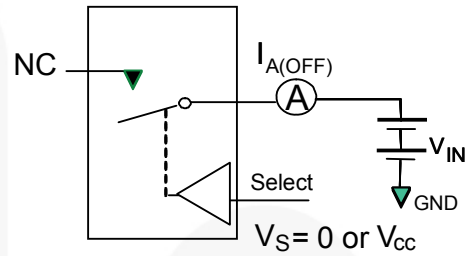


Figure 4. Off Leakage (Ports Tested Separately)

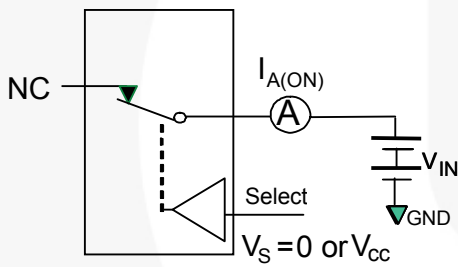


Figure 5. On Leakage

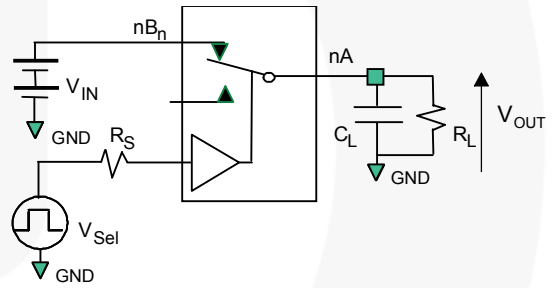


Figure 6. Test Circuit Load

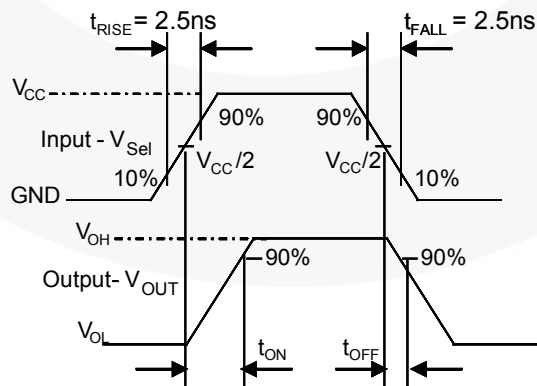


Figure 7. Turn-On / Turn-Off Waveforms

Test Diagrams (Continued)

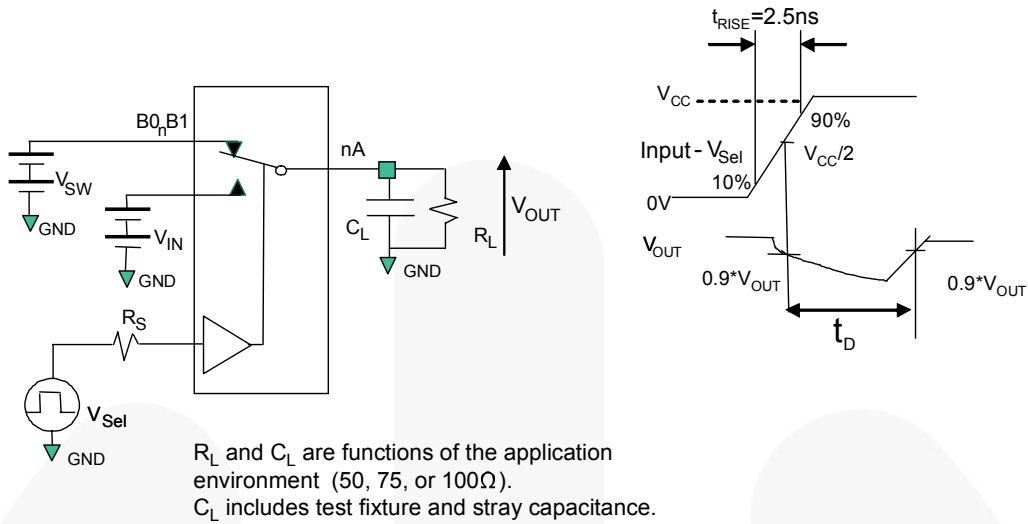


Figure 8. Break-Before-Make Interval Timing

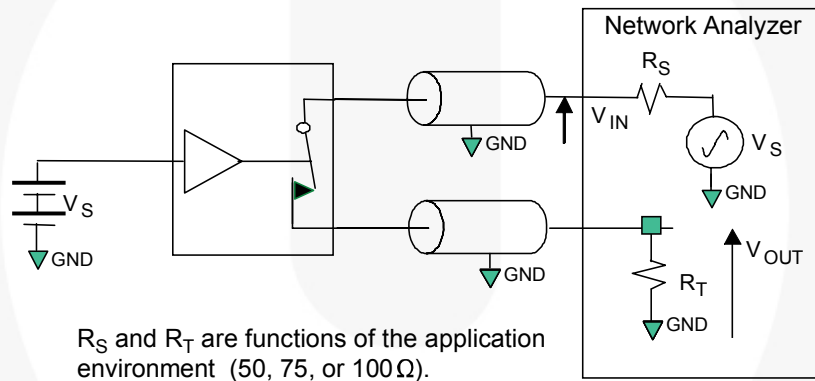


Figure 9. Bandwidth

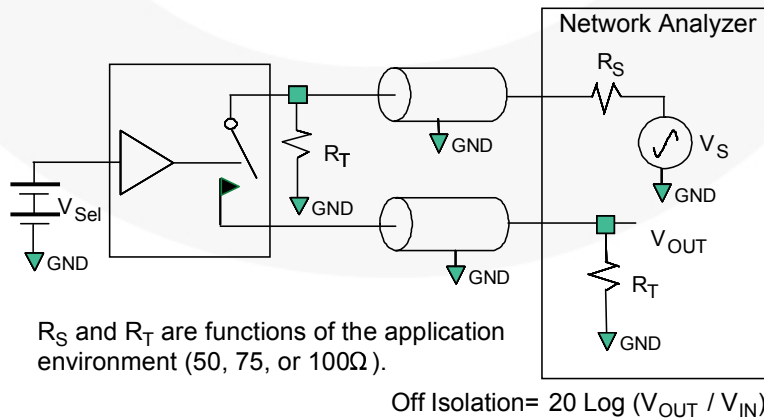


Figure 10. Channel Off Isolation

Test Diagrams (Continued)

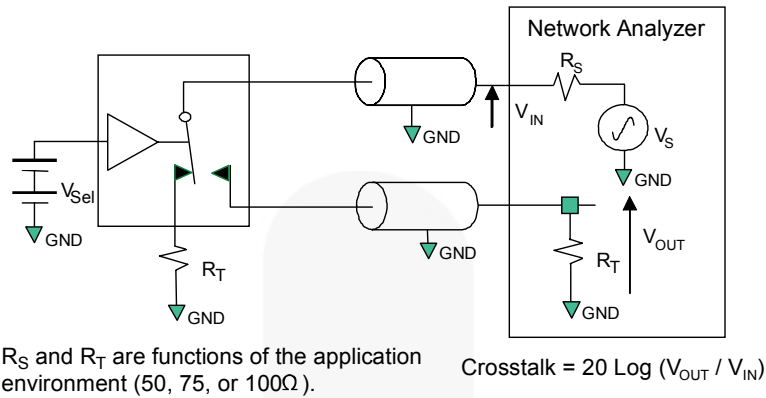


Figure 11. Adjacent Channel Crosstalk

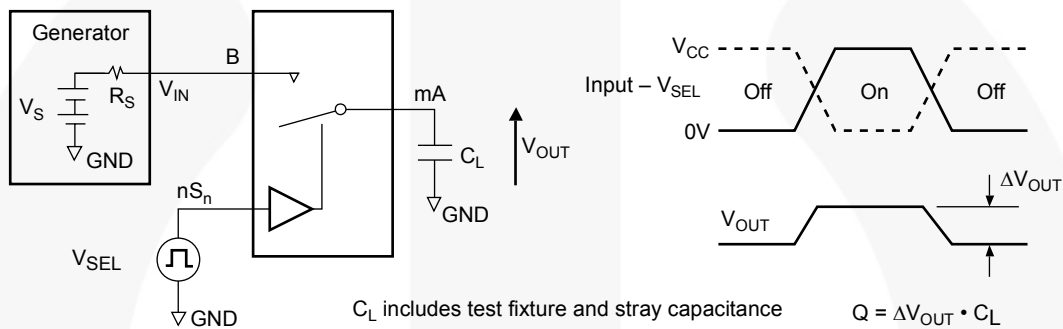


Figure 12. Charge Injection Test

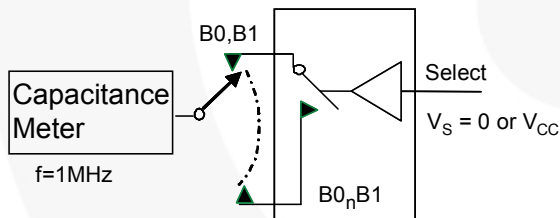


Figure 13. Channel Off Capacitance

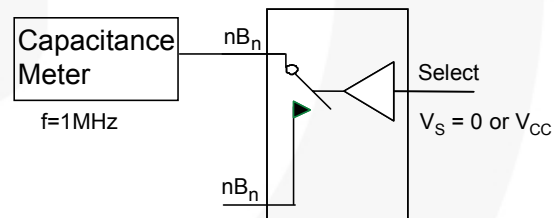


Figure 14. Channel On Capacitance

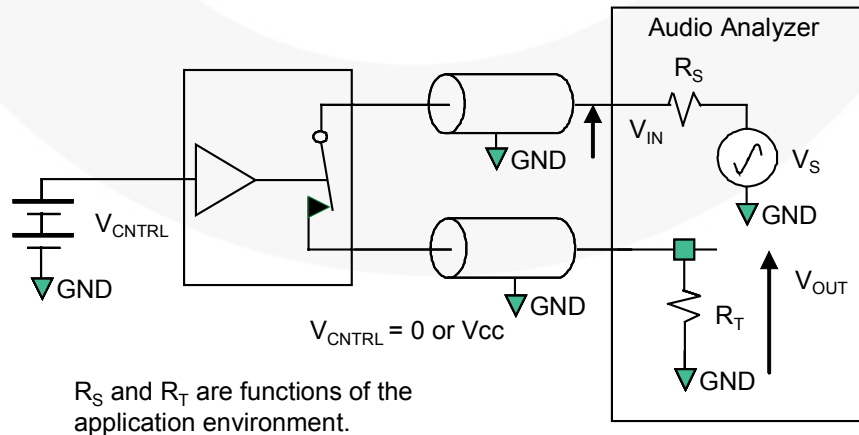
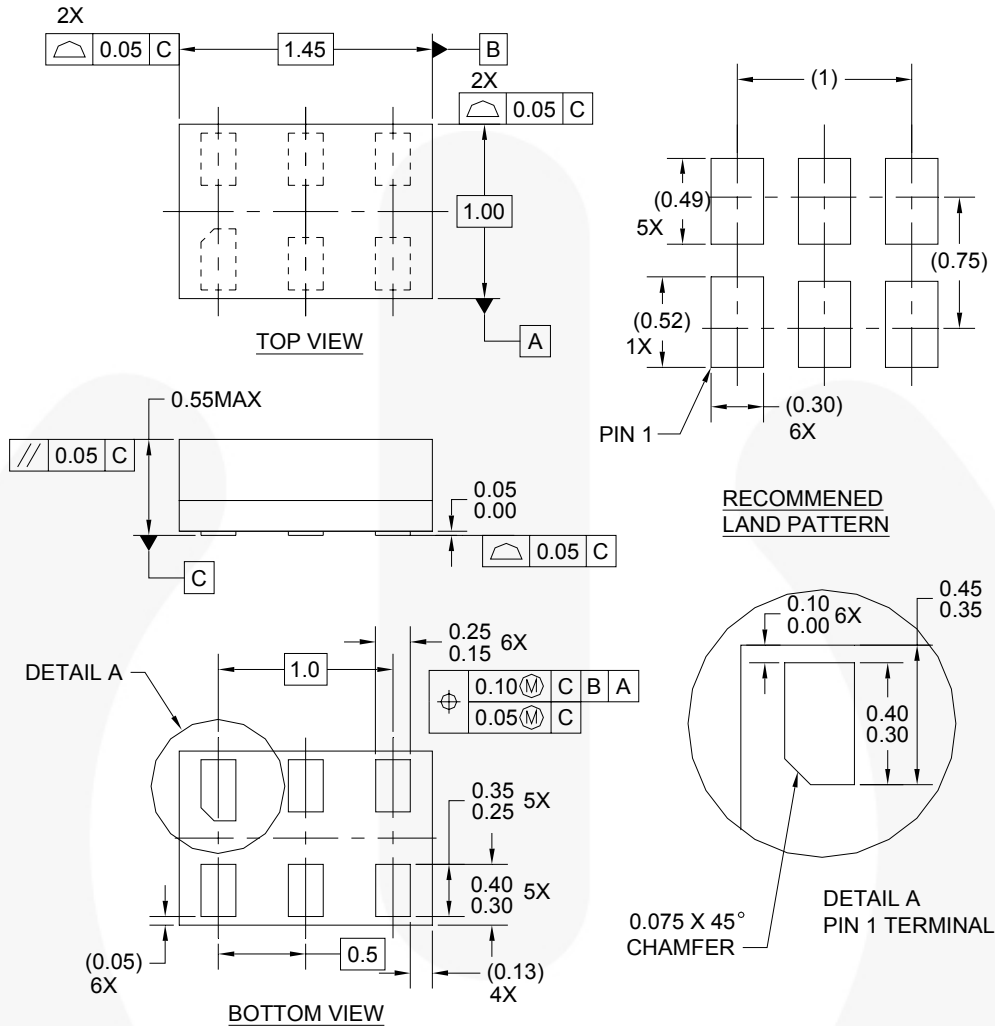


Figure 15. Total Harmonic Distortion

Physical Dimensions



MAC06AREVC

Figure 16. 6-Lead MicroPak™, 1.0mm Wide

Package drawings are provided as a service to customers considering Fairchild components. Drawings may change in any manner without notice. Please note the revision and/or date on the drawing and contact a Fairchild Semiconductor representative to verify or obtain the most recent revision. Package specifications do not expand the terms of Fairchild's worldwide terms and conditions, specifically the warranty therein, which covers Fairchild products.




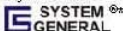
Always visit Fairchild Semiconductor's online packaging area for the most recent package drawings:
<http://www.fairchildsemi.com/packaging/>.

For current tape and reel specifications, visit Fairchild Semiconductor's online packaging area:
http://www.fairchildsemi.com/products/logic/pdf/micropak_tr.pdf.



TRADEMARKS

The following includes registered and unregistered trademarks and service marks, owned by Fairchild Semiconductor and/or its global subsidiaries, and is not intended to be an exhaustive list of all such trademarks.

- | | | | |
|---|---|--|---|
| AccuPower™ | FPS™ | PowerTrench® | The Power Franchise® |
| Auto-SPM™ | F-PFS™ | PowerXS™ | the power franchise |
| Build it Now™ | FRFET® | Programmable Active Droop™ | TinyBoost™ |
| CorePLUS™ | Global Power Resource™ | QFET® | TinyBuck™ |
| CorePOWER™ | Green FPS™ | QST™ | TinyCalc™ |
| CROSSVOL7™ | Green FPS™ e-Series™ | Quiet Series™ | TinyLogic® |
| CTL™ | Gmax™ | RapidConfigure™ | TINYOPTO™ |
| Current Transfer Logic™ | GTO™ |  ™ | TinyPower™ |
| EcoSPARK® | IntelliMAX™ | Saving our world, 1mW/W/kW at a time™ | TinyPWM™ |
| EfficientMax™ | ISOPLANAR™ | SignalWise™ | TinyWire™ |
| EZSWITCH™** | MegaBuck™ | SmartMax™ | TinyWire™ |
|  ™** | MICROCOUPLER™ | SMART START™ | TriFault Detect™ |
| F ® | MicroFET™ | SPM® | TRUECURRENT™** |
| Fairchild® | MicroPak™ | STEALTH™ | µSerDes™ |
| Fairchild Semiconductor® | MillerDrive™ | SuperFET™ |  ™ |
| FACT Quiet Series™ | MotionMax™ | SuperSOT™-3 | UHC® |
| FACT™ | Motion-SPM™ | SuperSOT™-6 | Ultra FRFET™ |
| FAST® | OPTOLOGIC® | SuperSOT™-8 | UniFET™ |
| FastvCore™ | OPTOPLANAR® | SupreMOS™ | VCC™ |
| FETBench™ |  ™ | SyncFET™ | VisualMax™ |
| FlashWriter®* | PDP SPM™ | Sync-Lock™ | XS™ |
| | Power-SPM™ |  ®* | |

* Trademarks of System General Corporation, used under license by Fairchild Semiconductor.

DISCLAIMER

FAIRCHILD SEMICONDUCTOR RESERVES THE RIGHT TO MAKE CHANGES WITHOUT FURTHER NOTICE TO ANY PRODUCTS HEREIN TO IMPROVE RELIABILITY, FUNCTION, OR DESIGN. FAIRCHILD DOES NOT ASSUME ANY LIABILITY ARISING OUT OF THE APPLICATION OR USE OF ANY PRODUCT OR CIRCUIT DESCRIBED HEREIN; NEITHER DOES IT CONVEY ANY LICENSE UNDER ITS PATENT RIGHTS, NOR THE RIGHTS OF OTHERS. THESE SPECIFICATIONS DO NOT EXPAND THE TERMS OF FAIRCHILD'S WORLDWIDE TERMS AND CONDITIONS, SPECIFICALLY THE WARRANTY THEREIN, WHICH COVERS THESE PRODUCTS.

LIFE SUPPORT POLICY

FAIRCHILD'S PRODUCTS ARE NOT AUTHORIZED FOR USE AS CRITICAL COMPONENTS IN LIFE SUPPORT DEVICES OR SYSTEMS WITHOUT THE EXPRESS WRITTEN APPROVAL OF FAIRCHILD SEMICONDUCTOR CORPORATION.

As used herein:

1. Life support devices or systems are devices or systems which, (a) are intended for surgical implant into the body or (b) support or sustain life, and (c) whose failure to perform when properly used in accordance with instructions for use provided in the labeling, can be reasonably expected to result in a significant injury of the user.
2. A critical component in any component of a life support, device, or system whose failure to perform can be reasonably expected to cause the failure of the life support device or system, or to affect its safety or effectiveness.

ANTI-COUNTERFEITING POLICY

Fairchild Semiconductor Corporation's Anti-Counterfeiting Policy. Fairchild's Anti-Counterfeiting Policy is also stated on our external website, www.fairchildsemi.com, under Sales Support.

Counterfeiting of semiconductor parts is a growing problem in the industry. All manufacturers of semiconductor products are experiencing counterfeiting of their parts. Customers who inadvertently purchase counterfeit parts experience many problems such as loss of brand reputation, substandard performance, failed applications, and increased cost of production and manufacturing delays. Fairchild is taking strong measures to protect ourselves and our customers from the proliferation of counterfeit parts. Fairchild strongly encourages customers to purchase Fairchild parts either directly from Fairchild or from Authorized Fairchild Distributors who are listed by country on our web page cited above. Products customers buy either from Fairchild directly or from Authorized Fairchild Distributors are genuine parts, have full traceability, meet Fairchild's quality standards for handling and storage and provide access to Fairchild's full range of up-to-date technical and product information. Fairchild and our Authorized Distributors will stand behind all warranties and will appropriately address any warranty issues that may arise. Fairchild will not provide any warranty coverage or other assistance for parts bought from Unauthorized Sources. Fairchild is committed to combat this global problem and encourage our customers to do their part in stopping this practice by buying direct or from authorized distributors.

PRODUCT STATUS DEFINITIONS

Definition of Terms

Datasheet Identification	Product Status	Definition
Advance Information	Formative / In Design	Datasheet contains the design specifications for product development. Specifications may change in any manner without notice.
Preliminary	First Production	Datasheet contains preliminary data; supplementary data will be published at a later date. Fairchild Semiconductor reserves the right to make changes at any time without notice to improve design.
No Identification Needed	Full Production	Datasheet contains final specifications. Fairchild Semiconductor reserves the right to make changes at any time without notice to improve the design.
Obsolete	Not In Production	Datasheet contains specifications on a product that is discontinued by Fairchild Semiconductor. The datasheet is for reference information only.

Rev. 142

ON Semiconductor and  are trademarks of Semiconductor Components Industries, LLC dba ON Semiconductor or its subsidiaries in the United States and/or other countries. ON Semiconductor owns the rights to a number of patents, trademarks, copyrights, trade secrets, and other intellectual property. A listing of ON Semiconductor's product/patent coverage may be accessed at www.onsemi.com/site/pdf/Patent-Marking.pdf. ON Semiconductor reserves the right to make changes without further notice to any products herein. ON Semiconductor makes no warranty, representation or guarantee regarding the suitability of its products for any particular purpose, nor does ON Semiconductor assume any liability arising out of the application or use of any product or circuit, and specifically disclaims any and all liability, including without limitation special, consequential or incidental damages. Buyer is responsible for its products and applications using ON Semiconductor products, including compliance with all laws, regulations and safety requirements or standards, regardless of any support or applications information provided by ON Semiconductor. "Typical" parameters which may be provided in ON Semiconductor data sheets and/or specifications can and do vary in different applications and actual performance may vary over time. All operating parameters, including "Typicals" must be validated for each customer application by customer's technical experts. ON Semiconductor does not convey any license under its patent rights nor the rights of others. ON Semiconductor products are not designed, intended, or authorized for use as a critical component in life support systems or any FDA Class 3 medical devices or medical devices with a same or similar classification in a foreign jurisdiction or any devices intended for implantation in the human body. Should Buyer purchase or use ON Semiconductor products for any such unintended or unauthorized application, Buyer shall indemnify and hold ON Semiconductor and its officers, employees, subsidiaries, affiliates, and distributors harmless against all claims, costs, damages, and expenses, and reasonable attorney fees arising out of, directly or indirectly, any claim of personal injury or death associated with such unintended or unauthorized use, even if such claim alleges that ON Semiconductor was negligent regarding the design or manufacture of the part. ON Semiconductor is an Equal Opportunity/Affirmative Action Employer. This literature is subject to all applicable copyright laws and is not for resale in any manner.

PUBLICATION ORDERING INFORMATION

LITERATURE FULFILLMENT:

Literature Distribution Center for ON Semiconductor
19521 E. 32nd Pkwy, Aurora, Colorado 80011 USA
Phone: 303-675-2175 or 800-344-3860 Toll Free USA/Canada
Fax: 303-675-2176 or 800-344-3867 Toll Free USA/Canada
Email: orderlit@onsemi.com

N. American Technical Support: 800-282-9855 Toll Free
USA/Canada
Europe, Middle East and Africa Technical Support:
Phone: 421 33 790 2910
Japan Customer Focus Center
Phone: 81-3-5817-1050

ON Semiconductor Website: www.onsemi.com
Order Literature: <http://www.onsemi.com/orderlit>
For additional information, please contact your local
Sales Representative

Mouser Electronics

Authorized Distributor

Click to View Pricing, Inventory, Delivery & Lifecycle Information:

[ON Semiconductor:](#)

[FSA6157L6X](#)



Компания «ЭлектроПласт» предлагает заключение долгосрочных отношений при поставках импортных электронных компонентов на взаимовыгодных условиях!

Наши преимущества:

- Оперативные поставки широкого спектра электронных компонентов отечественного и импортного производства напрямую от производителей и с крупнейших мировых складов;
- Поставка более 17-ти миллионов наименований электронных компонентов;
- Поставка сложных, дефицитных, либо снятых с производства позиций;
- Оперативные сроки поставки под заказ (от 5 рабочих дней);
- Экспресс доставка в любую точку России;
- Техническая поддержка проекта, помощь в подборе аналогов, поставка прототипов;
- Система менеджмента качества сертифицирована по Международному стандарту ISO 9001;
- Лицензия ФСБ на осуществление работ с использованием сведений, составляющих государственную тайну;
- Поставка специализированных компонентов (Xilinx, Altera, Analog Devices, Intersil, Interpoint, Microsemi, Aeroflex, Peregrine, Syfer, Eurofarad, Texas Instrument, Miteq, Cobham, E2V, MA-COM, Hittite, Mini-Circuits, General Dynamics и др.);

Помимо этого, одним из направлений компании «ЭлектроПласт» является направление «Источники питания». Мы предлагаем Вам помощь Конструкторского отдела:

- Подбор оптимального решения, техническое обоснование при выборе компонента;
- Подбор аналогов;
- Консультации по применению компонента;
- Поставка образцов и прототипов;
- Техническая поддержка проекта;
- Защита от снятия компонента с производства.



Как с нами связаться

Телефон: 8 (812) 309 58 32 (многоканальный)

Факс: 8 (812) 320-02-42

Электронная почта: org@eplast1.ru

Адрес: 198099, г. Санкт-Петербург, ул. Калинина, дом 2, корпус 4, литера А.