

CONNECTOR SERIES No. : 502426-**39

| | | | | | | |
|-----------------------------------------------------------------------------------------------|---------------------------------------|------------------------------------------------------|-----------------|-------------------------------------------------------------------------------------------------------------------------------|------------------------------------------------------|------------------------|
| REVISED EC NO: J2015-0198 DRWN:TKOGAW1 2014/07/16 CHKD: APPR:KMORIKAWA 2014/08/07 | GENERAL TOLERANCES (UNLESS SPECIFIED) | | DIMENSION STYLE | SCALE | DESIGN UNITS | THIRD ANGLE PROJECTION |
| | | | MM ONLY | 10:1 | METRIC | ⊙ □ |
| | 10 UNDER | ±--- | DRAWN BY | DATE | TITLE | |
| | 10 OVER 30 UNDER | ±--- | RTAKEUCHI | 2007/12/26 | 0.4 B-TO-B CONN. HGT=1.0 W=2.6 REC ASSY WITH TAPE | |
| 30 OVER | ±--- | CHECKED BY | DATE | MATERIAL NO. | | |
| | ±--- | MSASAO | 2007/12/26 | DOCUMENT NO. | | |
| | ±--- | APPROVED BY | DATE | SHEET NO. | | |
| | ±--- | MSASAO | 2007/12/26 | SD-502426-003 | | |
| | ±--- | DRAFT WHERE APPLICABLE MUST REMAIN WITHIN DIMENSIONS | | THIS DRAWING CONTAINS INFORMATION THAT IS PROPRIETARY TO MOLEX INCORPORATED AND SHOULD NOT BE USED WITHOUT WRITTEN PERMISSION | | |

molex

注記 NOTES

1. 使用材料 MATERIAL

ハウジング：液晶ポリマー (LCP) ガラス充填 UL94V-0 (黒)
 HOUSING: LIQUID CRYSTAL POLYMER (GLASS FILLED) UL94V-0 (COLOR: BLACK)
 ターミナル：りん青銅 (t=0.1)
 TERMINAL : PHOSPHOR BRONZE (t=0.1)
 金具：りん青銅 (t=0.12)
 FITTING NAIL : PHOSPHOR BRONZE (t=0.12)
 吸着テープ：ポリイミド
 VACUUM TAPE : POLYIMIDE

2. メッキ仕様 PLATING

ターミナル TERMINAL
 コンタクト部：金メッキ 0.1 マイクロメートル以上
 CONTACT AREA : GOLD 0.1 MICROMETER MINIMUM.
 テール部：金メッキ 0.05 マイクロメートル以上
 TAIL AREA : GOLD 0.05 MICROMETER MINIMUM.
 下地メッキ：ニッケルメッキ 1.0 マイクロメートル以上
 UNDER PLATING : NICKEL 1.0 MICROMETER MINIMUM
 ※コンタクト部とテール部はニッケルメッキによって分断されている金メッキです。
 DIVIDE INTO PARTS THE GOLD PLATING OF THE CONTACT AND THE TAIL PART BY THE NICKEL PLATING.
 ※封孔処理品
 金具 FITTING NAIL
 フラッシュ金メッキ
 FLASH Au PLATING
 下地メッキ：ニッケルメッキ 1.0 マイクロメートル以上
 UNDER PLATING : NICKEL 1.0 MICROMETER MINIMUM

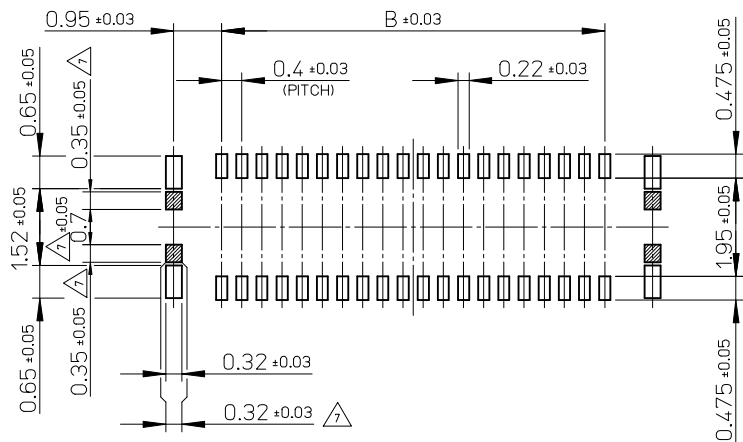
△3 (全極数 / 2) = 偶数の場合に適用。
 APPLY FOR (CIRCUIT/2) = EVEN.

4. 嵌合相手： 502430 シリーズ
 MATE WITH : 502430 SERIES.

5. テール平坦度は、0.08 以下
 テール及び金具の平坦度は、0.1 以下
 TAIL COPLANARITY TO BE 0.08 MAXIMUM.
 TAIL AND FITTING NAIL COPLANARITY TO BE 0.1 MAXIMUM.

6. ELV 及び RoHS 適合品
 ELV AND RoHS COMPLIANT.

△7 斜線部はパターン書込み禁止範囲と半田禁止範囲を示す。
 ただし、斜線部に補強金具と同一配線を配置する場合はレジストを施し、この部分に半田は無きこと。
 NO PATTERN CIRCUIT AND NO SOLDER ALLOWED IN THE SHADED AREA.
 HOWEVER, IF NEEDED TO ADD A TRACE OF THE SAME CIRCUIT, PUT THE SOLDER-RESIST, YET NO SOLDER ALLOWED IN THE AREA.

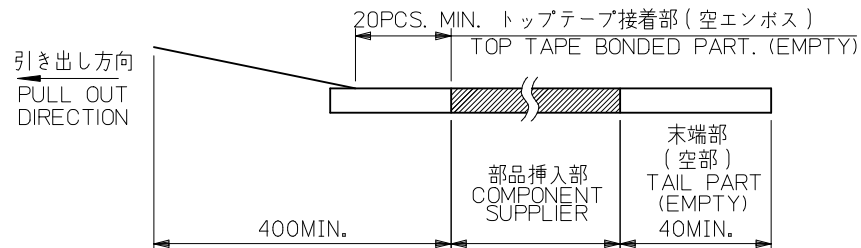
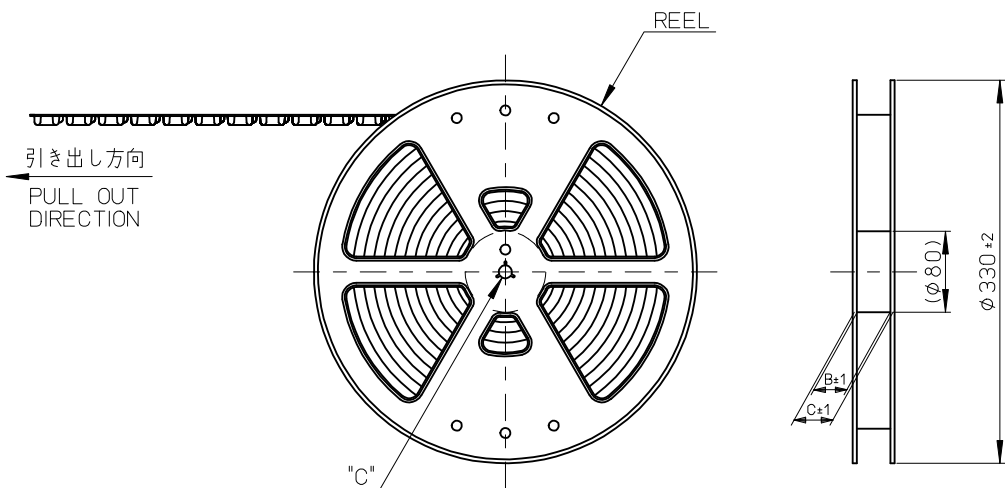


P.C. BOARD PATTERN LAYOUT
 (REFERENCE)

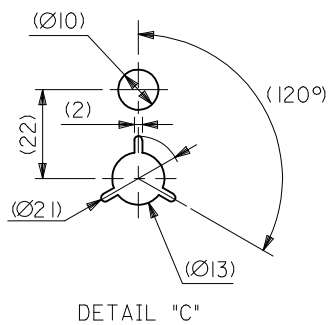
| | | | | | | |
|-------------------------------------------------------------------------------------------------|------------------------------------------|-----------------------------|----------------------------------------------------------------------------------------------------------------------------------|---------------------|---------------------------------------------------------------|---------------------------|
| REVISED EC NO: J2015-0198 DRWN: TKOGA01 2014/07/16 CHKD: APPR: KMORIKAWA 2014/08/07 | GENERAL TOLERANCES (UNLESS SPECIFIED) | | DIMENSION STYLE MM ONLY | SCALE 10:1 | DESIGN UNITS METRIC | THIRD ANGLE PROJECTION |
| | 10 UNDER | ±--- | DRAWN BY RTAKEUCHI | DATE 2007/12/26 | TITLE 0.4 B-TO-B CONN. HGT=1.0 W=2.6 REC ASSY WITH TAPE | |
| | 10 OVER 30 UNDER | ±--- | CHECKED BY MSASAO | DATE 2007/12/26 | | |
| | 30 OVER | ±--- | APPROVED BY MSASAO | DATE 2007/12/26 | | |
| ANGULAR | ±---° | MATERIAL NO. SEE SHEET 1 | DOCUMENT NO. SD-502426-003 | SHEET NO. 2 OF 2 | | |
| DRAFT WHERE APPLICABLE MUST REMAIN WITHIN DIMENSIONS | | SIZE A3 | THIS DRAWING CONTAINS INFORMATION THAT IS PROPRIETARY TO MOLEX INCORPORATED AND SHOULD NOT BE USED WITHOUT WRITTEN PERMISSION | | | |

注記 NOTES

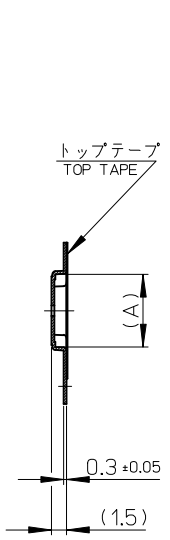
- 製品詳細寸法については製品単体図面を参照下さい。
RE DETAILED DIMENSION, SEE PRODUCT DRAWING.
- 梱包数量: 3000 個/リール
NUMBER OF CONNECTORS : 3000PCS/REEL
- リードテープ長さ LEAD TAPE LENGTH



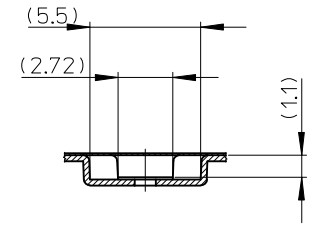
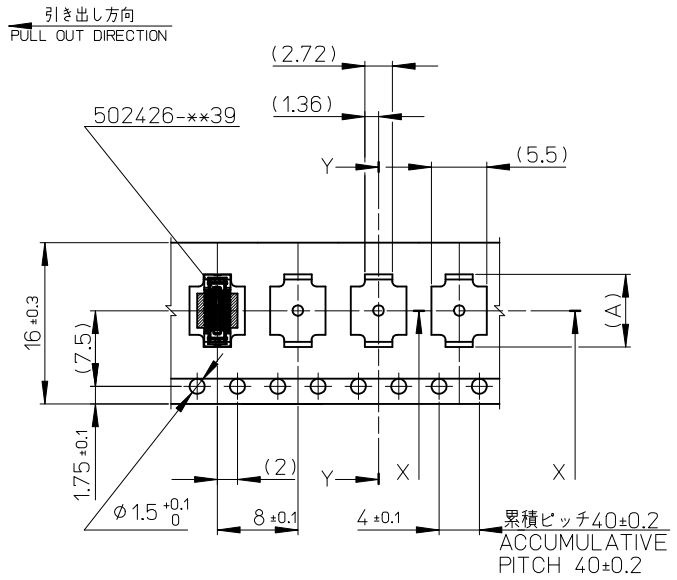
- 材料 MATERIAL
 キャリアテープ (CARRIER TAPE): ポリスチレン (POLYSTYRENE)
 トップテープ (TOP TAPE): PET, PE, PEF
 リール (REEL): ポリスチレン (PS) <リサイクル材を含む>
 POLYSTYRENE (PS) <RECYCLE MATERIAL CONTAINED>
- ELV 及び RoHS適合品
 ELV AND RoHS COMPLIANT



| | | | | | | | | |
|-----------------------------------------------------------------------------------------------|-------------|----------------------------------------------------------------------------------------------------------------------------------|--|---------------------------------------|--|-----------------------------------------------------------------------|------------------------|--------------------------|
| REVISED EC NO: J2015-0198 DRWN:TKOGA01 2014/07/16 CHKD: APPR:KMORIKAWA 2014/08/07 | DESCRIPTION | GENERAL TOLERANCES (UNLESS SPECIFIED) | | DIMENSION STYLE MM ONLY | | SCALE --- | DESIGN UNITS METRIC | MODEL NO. 502426-***30 |
| | | 10 UNDER ±--- | | DRAWN BY DATE RTAKEUCHI 2007/12/26 | | TITLE 0.4 B-TO-B CONN. HGT=1.0 REC ASSY WITH TAPE EMBSTP PKG | | |
| | | 10 OVER 30 UNDER ±--- | | CHECKED BY DATE MSASAO 2007/12/26 | | | | |
| | | 30 OVER ±--- | | APPROVED BY DATE MSASAO 2007/12/26 | | | | |
| ANGULAR ±---° | | DRAFT WHERE APPLICABLE MUST REMAIN WITHIN DIMENSIONS | | MATERIAL NO. SEE TABLE | | DOCUMENT NO. SD-502426-004 | | SHEET NO. 1 OF 4 |
| SIZE A3 | | THIS DRAWING CONTAINS INFORMATION THAT IS PROPRIETARY TO MOLEX INCORPORATED AND SHOULD NOT BE USED WITHOUT WRITTEN PERMISSION | | | | | | |



SECTION Y-Y

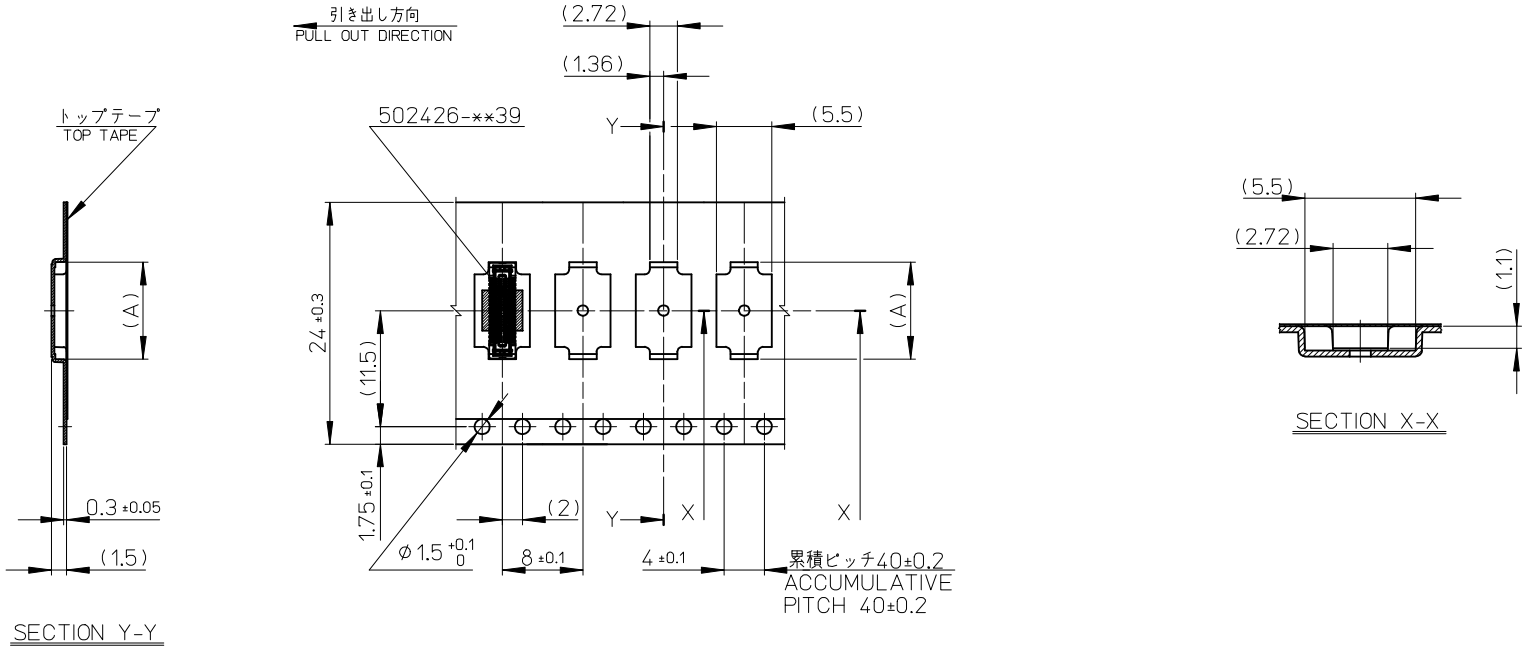


SECTION X-X

16mm 幅キャリアテープ
16mm WIDTH CARRIER TAPE

| | | | | | |
|--------------------------------|------|------|--------------|-------------|--------------|
| 16 | 21.4 | 17.4 | 8.42 | 502426-2630 | 26 |
| | | | 8.02 | 502426-2430 | 24 |
| | | | 7.62 | 502426-2230 | 22 |
| | | | 7.22 | 502426-2030 | 20 |
| | | | 6.02 | 502426-1430 | 14 |
| キャリアテープ幅 CARRIER TAPE WIDTH | | | C | B | (A) |
| | | | MATERIAL No. | | CKT. |
| | | | MODEL No. | | 502426-**-30 |

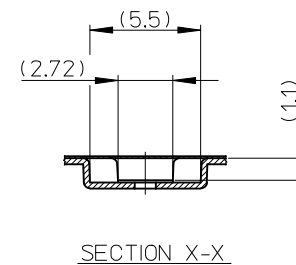
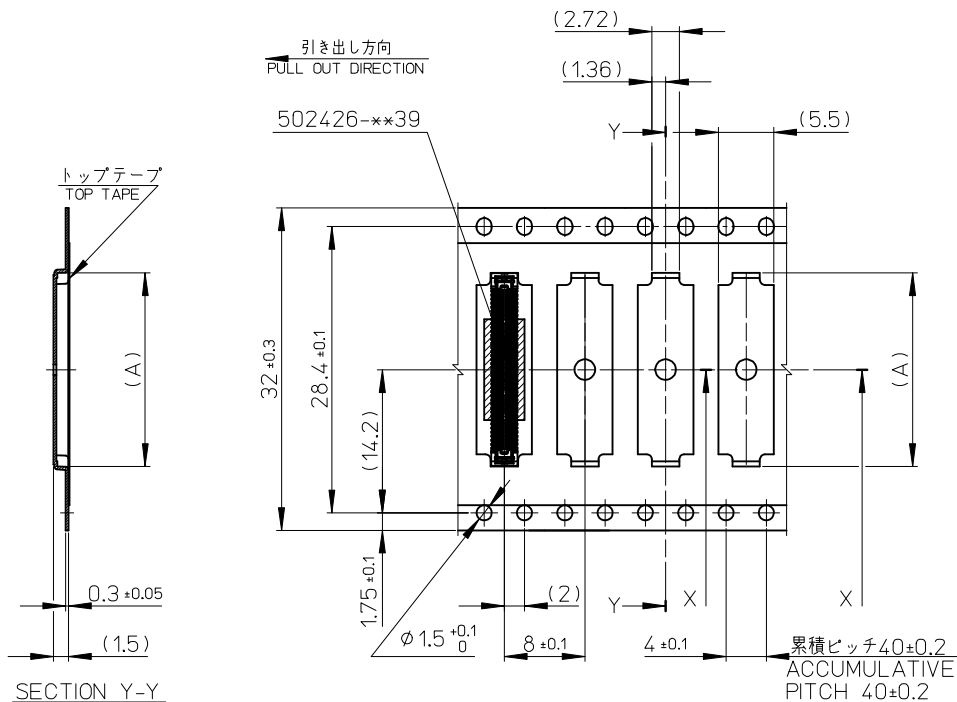
| | | | | | | | | | | |
|-----------------------------------------------------------------------------------------------|--------------------|------------------------------------------------------|------|----------------------------|--------------------|-------------------------------------------------------------------------------------------------------------------------------|------------------------|------------------------|--|--|
| REVISED EC NO: J2015-0198 DRWN:TKOGA01 2014/07/16 CHKD: APPR:KMORIKAWA 2014/08/07 | DESCRIPTION REV | GENERAL TOLERANCES (UNLESS SPECIFIED) | | DIMENSION STYLE MM ONLY | | SCALE --- | DESIGN UNITS METRIC | THIRD ANGLE PROJECTION | | |
| | | 10 UNDER | ±--- | DRAWN BY RTAKEUCHI | DATE 2007/12/26 | TITLE 0.4 B-TO-B CONN. HGT=1.0 REC ASSY WITH TAPE EMBSTP PKG | | | | |
| | | 10 OVER 30 UNDER | ±--- | CHECKED BY MSASAO | DATE 2007/12/26 | | | | | |
| | | 30 OVER | ±--- | APPROVED BY MSASAO | DATE 2007/12/26 | | | | | |
| ANGULAR ±---° | | DRAFT WHERE APPLICABLE MUST REMAIN WITHIN DIMENSIONS | | MATERIAL NO. SEE TABLE | | DOCUMENT NO. SD-502426-004 | | SHEET NO. 2 OF 4 | | |
| | | | | SIZE A3 | | THIS DRAWING CONTAINS INFORMATION THAT IS PROPRIETARY TO MOLEX INCORPORATED AND SHOULD NOT BE USED WITHOUT WRITTEN PERMISSION | | | | |



24mm 幅キャリアテープ
24mm WIDTH CARRIER TAPE

| | | | | | |
|--------------------------------|------|------|--------------|--------------|------|
| 24 | 29.4 | 25.4 | 15.22 | 502426-6030 | 60 |
| | | | 13.22 | 502426-5030 | 50 |
| | | | 11.22 | 502426-4030 | 40 |
| | | | 9.62 | 502426-3230 | 32 |
| | | | 9.22 | 502426-3030 | 30 |
| キャリアテープ幅 CARRIER TAPE WIDTH | | | C | B | (A) |
| | | | MATERIAL No. | | CKT. |
| | | | MODEL No. | 502426-**-30 | |

| | | | | | | | | | | |
|-----------------------------------------------------------------------------------------------|-------------|---------------------------------------|---------|----------------------------------------------------------------------------------------------------------------------------------|--------------------|-----------------------------------------------------------------------|------------------------|------------------------|--|--|
| REVISED EC NO: J2015-0198 DRWN:TKOGA01 2014/07/16 CHKD: APPR:KMORIKAWA 2014/08/07 | DESCRIPTION | GENERAL TOLERANCES (UNLESS SPECIFIED) | | DIMENSION STYLE MM ONLY | | SCALE --- | DESIGN UNITS METRIC | THIRD ANGLE PROJECTION | | |
| | | 10 UNDER | ± --- | DRAWN BY RTAKEUCHI | DATE 2007/12/26 | TITLE 0.4 B-TO-B CONN. HGT=1.0 REC ASSY WITH TAPE EMBSTP PKG | | | | |
| | | 10 OVER 30 UNDER | ± --- | CHECKED BY MSASAO | DATE 2007/12/26 | | | | | |
| | | 30 OVER | ± --- | APPROVED BY MSASAO | DATE 2007/12/26 | | | | | |
| | | ANGULAR | ± --- ° | MATERIAL NO. | | DOCUMENT NO. | | SHEET NO. | | |
| DRAFT WHERE APPLICABLE MUST REMAIN WITHIN DIMENSIONS | | SEE TABLE | | SD-502426-004 | | 3 OF 4 | | | | |
| | | SIZE A3 | | THIS DRAWING CONTAINS INFORMATION THAT IS PROPRIETARY TO MOLEX INCORPORATED AND SHOULD NOT BE USED WITHOUT WRITTEN PERMISSION | | | | | | |



32mm 幅キャリアテープ
32mm WIDTH CARRIER TAPE

| | | | | | |
|--------------------------------|------|------|-------|--------------|--------------|
| 32 | 37.4 | 33.5 | 19.22 | 502426-8030 | 80 |
| | | | 17.22 | 502426-7030 | 70 |
| キャリアテープ幅 CARRIER TAPE WIDTH | | | C | B | (A) |
| | | | | MATERIAL No. | CKT. |
| | | | | MODEL No. | 502426-***30 |

| | | | | | | | |
|---------------------------------------------------------------------------------------------------------------------|---------------------------------------|--------------|----------------------------|-------------------------------------------------------------------------------------------------------------------------------|-----------------------------------------------------------------------|------------------------|------------------------|
| REVISED EC NO: J2015-0198 DRWN:TKOGA01 2014/07/16 CHKD: APPR:KMORIKAWA 2014/08/07 REV DESCRIPTION | GENERAL TOLERANCES (UNLESS SPECIFIED) | | DIMENSION STYLE MM ONLY | | SCALE --- | DESIGN UNITS METRIC | THIRD ANGLE PROJECTION |
| | 10 UNDER | ±--- | DRAWN BY RTAKEUCHI | DATE 2007/12/26 | TITLE 0.4 B-TO-B CONN. HGT=1.0 REC ASSY WITH TAPE EMBSTP PKG | | |
| | 10 OVER 30 UNDER | ±--- | CHECKED BY MSASAO | DATE 2007/12/26 | molex DOCUMENT NO. SD-502426-004 SHEET NO. 4 OF 4 | | |
| | 30 OVER | ±--- | APPROVED BY MSASAO | DATE 2007/12/26 | | | |
| ANGULAR ±---° | | MATERIAL NO. | | SEE TABLE | | | |
| DRAFT WHERE APPLICABLE MUST REMAIN WITHIN DIMENSIONS | | SIZE A3 | | THIS DRAWING CONTAINS INFORMATION THAT IS PROPRIETARY TO MOLEX INCORPORATED AND SHOULD NOT BE USED WITHOUT WRITTEN PERMISSION | | | |



Компания «ЭлектроПласт» предлагает заключение долгосрочных отношений при поставках импортных электронных компонентов на взаимовыгодных условиях!

Наши преимущества:

- Оперативные поставки широкого спектра электронных компонентов отечественного и импортного производства напрямую от производителей и с крупнейших мировых складов;
- Поставка более 17-ти миллионов наименований электронных компонентов;
- Поставка сложных, дефицитных, либо снятых с производства позиций;
- Оперативные сроки поставки под заказ (от 5 рабочих дней);
- Экспресс доставка в любую точку России;
- Техническая поддержка проекта, помощь в подборе аналогов, поставка прототипов;
- Система менеджмента качества сертифицирована по Международному стандарту ISO 9001;
- Лицензия ФСБ на осуществление работ с использованием сведений, составляющих государственную тайну;
- Поставка специализированных компонентов (Xilinx, Altera, Analog Devices, Intersil, Interpoint, Microsemi, Aeroflex, Peregrine, Syfer, Eurofarad, Texas Instrument, Miteq, Cobham, E2V, MA-COM, Hittite, Mini-Circuits, General Dynamics и др.);

Помимо этого, одним из направлений компании «ЭлектроПласт» является направление «Источники питания». Мы предлагаем Вам помощь Конструкторского отдела:

- Подбор оптимального решения, техническое обоснование при выборе компонента;
- Подбор аналогов;
- Консультации по применению компонента;
- Поставка образцов и прототипов;
- Техническая поддержка проекта;
- Защита от снятия компонента с производства.



Как с нами связаться

Телефон: 8 (812) 309 58 32 (многоканальный)

Факс: 8 (812) 320-02-42

Электронная почта: org@eplast1.ru

Адрес: 198099, г. Санкт-Петербург, ул. Калинина, дом 2, корпус 4, литера А.