

WIZ810MJ Datasheet

(Ver. 1.2)



©2007 WIZnet Inc. All Rights Reserved.

For more information, visit our website at www.wiznet.co.kr

Document History Information

| Revision | Data | Description |
|----------|------------------|--|
| Ver. 1.0 | September , 2007 | Release with WIZ810MJ Launching |
| Ver. 1.1 | February, 2008 | Hardware revision(ver.1.1). Modified the SPI_EN signal description (P.8) Modified the Schematic & Partlist : R10 is mounted as SPI_EN pull-down resistor. (P.15~16) |
| Ver. 1.2 | January, 2009 | Added temperature specification |

WIZnet's Online Technical Support

If you have something to ask about WIZnet Products, Write down your question on Q&A Board in WIZnet website (www.wiznet.co.kr). WIZnet Engineer will give an answer as soon as possible.

The screenshot shows the WIZnet website interface. At the top, there is a navigation menu with links for Home, Sitemap, Contact us, and 한국어. Below this is a secondary menu with links for Products, Technology, Technical Q & A, Library, Where to buy, Value Chain, and About us. The main content area features a large banner for the W5100 chip, describing it as a '3 in 1' solution for embedded Internet, combining TCP/IP Core, MAC, and PHY. To the right of the banner is a 'New Products' section for the WIZ Series with W5100, specifically the Serial-to-Ethernet WIZ100SR. Below the banner are three columns of content: 'Application Reference' with a list of projects and dates, 'Solution Provider' with a list of boards and dates, and 'WIZnet News' with a list of news items and dates. A large blue arrow labeled 'Click !!' points to a 'Technical Support' link in the bottom right corner of the main content area. The footer contains the WIZnet logo, copyright information, and logos for NEC, AMEL, and MICROCHIP.

Table of Contents

| | | |
|------|--------------------------------------|----|
| 1. | Introduction | 5 |
| 1.1. | Features | 5 |
| 1.2. | Block Diagram | 5 |
| 2. | Pin Assignments & descriptions | 6 |
| 2.1. | Pin Assignments | 6 |
| 2.2. | Power & Ground | 6 |
| 2.3. | MCU Interfaces..... | 7 |
| 2.4. | Network status & LEDs | 8 |
| 2.5. | Miscellaneous Signals | 8 |
| 3. | Timing Diagrams | 9 |
| 3.1. | Reset Timing | 9 |
| 3.2. | Register/Memory READ Timing | 10 |
| 3.3. | Register/Memory WRITE Timing | 11 |
| 3.4. | SPI Timing..... | 12 |
| 4. | Dimensions..... | 13 |
| 5. | Connector Specification | 14 |
| 6. | Schematic | 15 |
| 7. | Partlists..... | 16 |

1. Introduction

WIZ810MJ is the network module that includes W5100 (TCP/IP hardwired chip, include PHY), MAG-JACK (RJ45 with X'FMR) with other glue logics. It can be used as a component and no effort is required to interface W5100 and Transformer. The WIZ810MJ is an ideal option for users who want to develop their Internet enabling systems rapidly.

For the detailed information on implementation of Hardware TCP/IP, refer to the W5100 Datasheet.

WIZ810MJ consists of W5100 and MAG-JACK.

- TCP/IP, MAC protocol layer: W5100
- Physical layer: Included in W5100
- Connector: MAG-JACK(RJ45 with Transformer)

1.1. Features

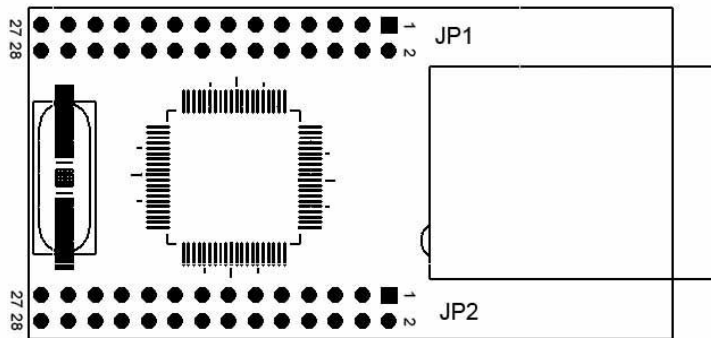
- Supports 10/100 Base TX
- Supports half/full duplex operation
- Supports auto-negotiation and auto crossover detection
- IEEE 802.3/802.3u Complaints
- Operates 3.3V with 5V I/O signal tolerance
- Supports network status indicator LEDs
- Includes Hardware Internet protocols: TCP, IP Ver.4, UDP, ICMP, ARP, PPPoE, IGMP
- Includes Hardware Ethernet protocols: DLC, MAC
- Supports 4 independent connections simultaneously
- Supports MCU bus Interface and SPI Interface
- Supports Direct/Indirect mode bus access
- Supports Socket API for easy application programming
- Interfaces with Two 2.0mm pitch 2 * 14 header pin
- Temperature : 0 ~ 70°C (Operation), -40 ~ 85°C (Storage)

1.2. Block Diagram

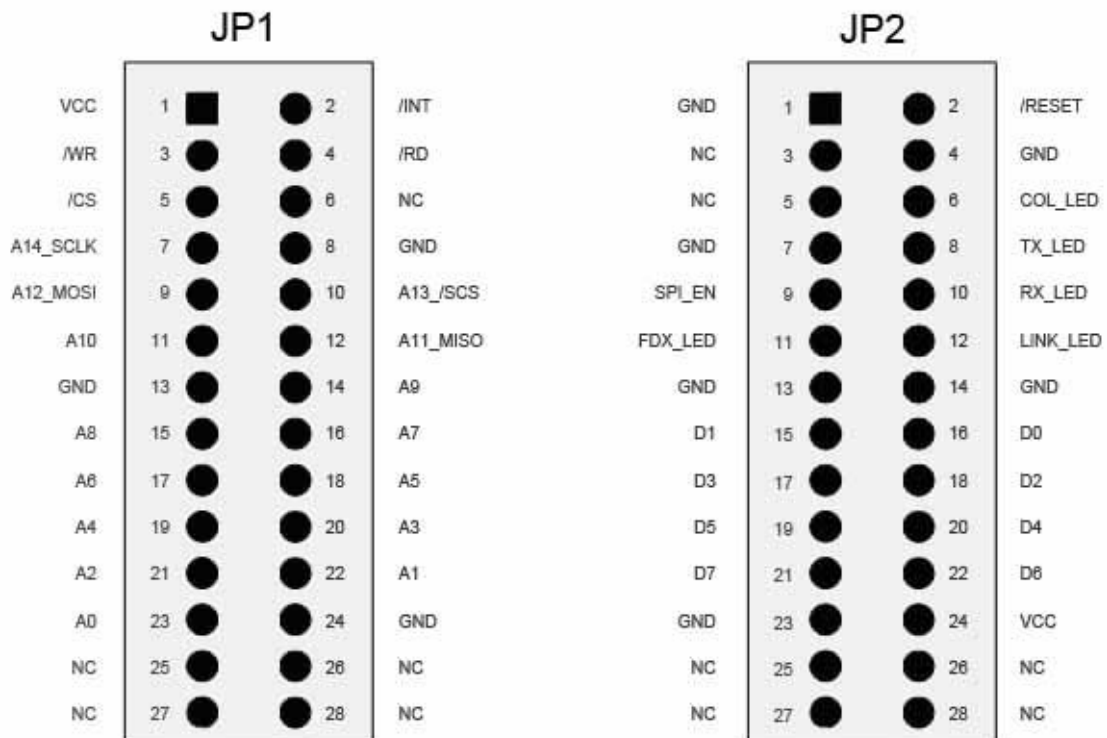


2. Pin Assignments & descriptions

2.1. Pin Assignments



6



I : Input
I/O : Bi-directional Input and output

O : Output
P : Power

2.2. Power & Ground

| Symbol | Type | Pin No. | Description |
|--------|------|---|----------------------------|
| VCC | P | JP1:1 , JP2:24 | Power : 3.3 V power supply |
| GND | P | JP1:8, JP1:13, JP1:24, JP2:1, JP2:4, JP2:7 JP2:13, JP2:14, JP2:23 | Ground |

2.3. MCU Interfaces

| Symbol | Type | Pin No. | Description |
|----------|------|--|--|
| A14_SCLK | I | JP1:7 | ADDRESS PIN OR SCLK(Serial Clock) This pin is used to select a register or memory. When asserting SPI_EN pin high, this pin is used to SPI Clock signal Pin. |
| A13_/SCS | I | JP1:10 | ADDRESS PIN or /SCS (Slave Select) * This pin is used to select a register or memory. When asserting SPI_EN pin high, this pin is used to SPI Slave Select signal Pin. In only SPI Mode, this pin is active low |
| A12_MOSI | I | JP1:9 | ADDRESS PIN or MOSI (Master Out Slave In) * This pin is used to select a register or memory. When asserting SPI_EN pin high, this pin is used to SPI MOSI signal pin. |
| A11_MISO | I/O | JP1:12 | ADDRESS PIN or MISO (Master In Slave Out) * This pin is used to select a register or memory. When asserting SPI_EN pin high, this pin is used to SPI MISO signal pin. |
| A10~A8 | I | JP1:11, JP1:14 JP1:15 | Address Used as Address[10-8] pin |
| A7~A0 | I | JP1:16 ~ JP1:23 | Address Used as Address[7-0] pin |
| D7~D0 | I/O | JP2:21, JP2:22 JP2:19, JP2:20 JP2:17, JP2:18 JP2:15, JP2:16 | Data 8 bit-wide data bus |
| /CS | I | JP1:5 | Module Select : Active low. /CS of W5100 |
| /RD | I | JP1:4 | Read Enable : Active low. /RD of W5100 |
| /WR | I | JP1:3 | Write Enable : Active low /WR of W5100 |

| | | | |
|-------------|----------|-------|--|
| /INT | O | JP1:2 | Interrupt : Active low After reception or transmission it indicates that the W5100 requires MCU attention. By writing values to the Interrupt Status Register of W5100 the interrupt will be cleared. All interrupts can be masked by writing values to the IMR of W5100 (Interrupt Mask Register). For more details refer to the W5100 Datasheet |
|-------------|----------|-------|--|

2.4. Network status & LEDs

You can observe the network status using MAG-JACK LEDs. LED interface can be extended to the LED of the main board.

| Symbol | Type | Pin No. | Description |
|-----------------|----------|---------|---|
| COL_LED | O | JP2:6 | Collision LED : Active low when collisions occur. |
| TX_LED | O | JP2:8 | Transmit activity LED : Active low indicates the presence of transmitting activity. |
| RX_LED | O | JP2:10 | Receive activity LED : Active low indicates the presence of receiving activity. |
| FDX_LED | O | JP2:11 | Full Duplex LED : Active low when in full duplex operation. Active high when in half duplex operation. |
| LINK_LED | O | JP2:12 | Link LED : Active low in link state indicates a good status for 10/100M. It is always ON when the link is OK and it flashes while in a TX or RX state. |

2.5. Miscellaneous Signals

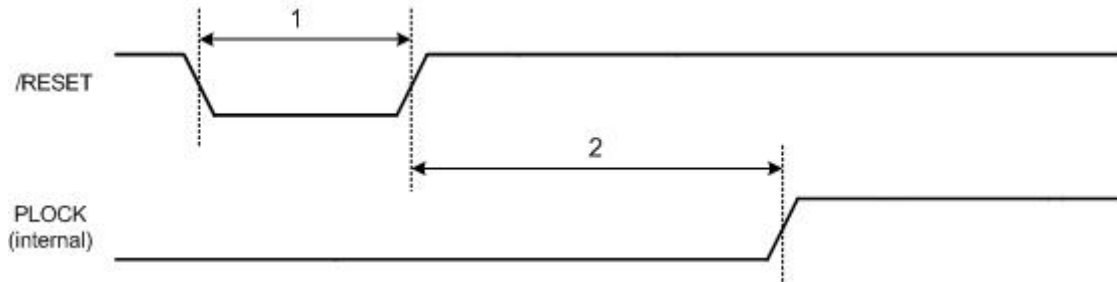
| Symbol | Type | Pin No. | Description |
|---------------|----------|---|--|
| /RESET | I | JP2:2 | Reset : This pin is active low input to initialize or re-initialize W5100. By asserting this pin low for at least 2us, all internal registers will be re-initialized to their default states. |
| SPI_EN | I | JP2:9 | SPI Enable : This pin selects Enable/Disable W5100 SPI Mode. Low = SPI Mode Disable High = SPI Mode Enable A pull-down resistor(R10) sets to the default of SPI Mode Disable. H/W ver.1.0 : R10 is not mounted H/W ver.1.1 : R10 is mounted |
| NC | - | JP1 : 6, 25, 26, 27, 28 JP2 : 3, 5, 25, 26, 27, 28 | Not Connect |

3. Timing Diagrams

WIZ810MJ provides following interfaces of W5100.

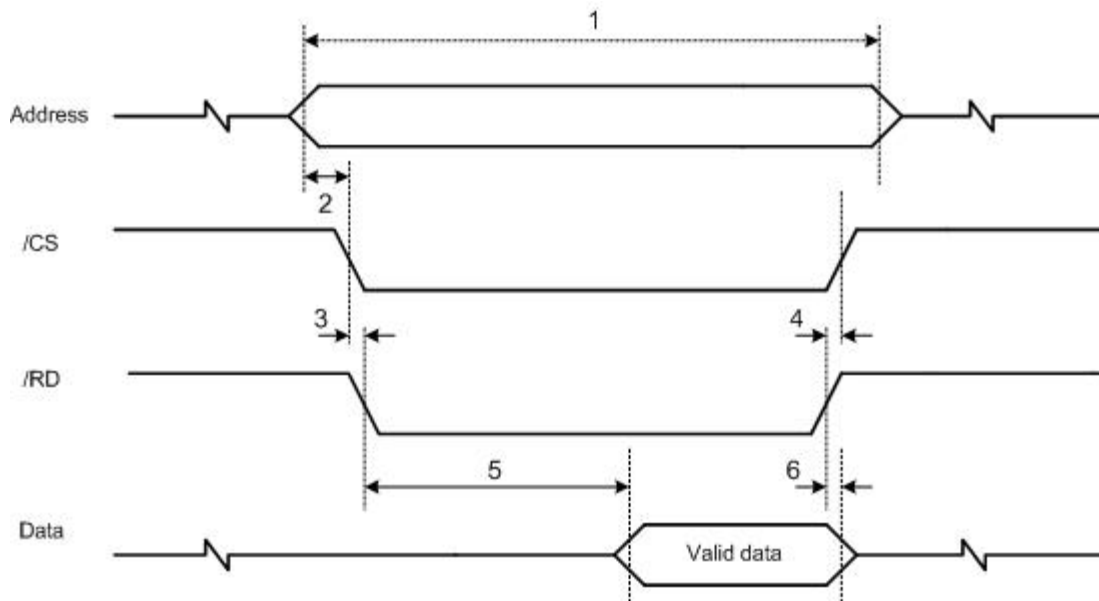
- Direct/Indirect mode bus access
- SPI access

3.1. Reset Timing



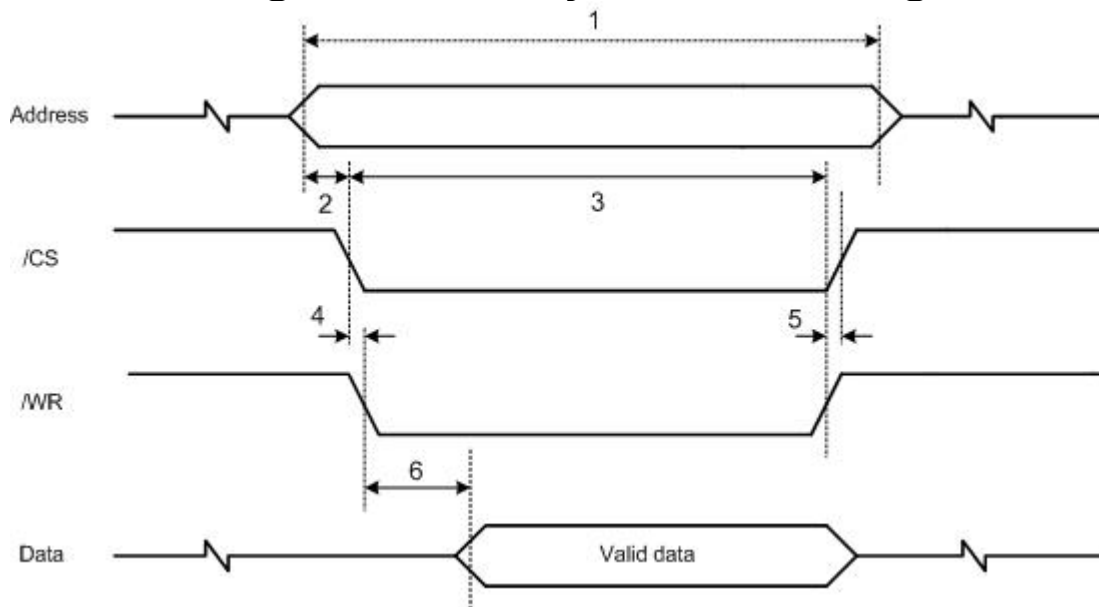
| Description | | Min | Max |
|-------------|--------------------------|------|-------|
| 1 | Reset Cycle Time | 2 us | - |
| 2 | /RESET to internal PLOCK | - | 10 ms |

3.2. Register/Memory READ Timing



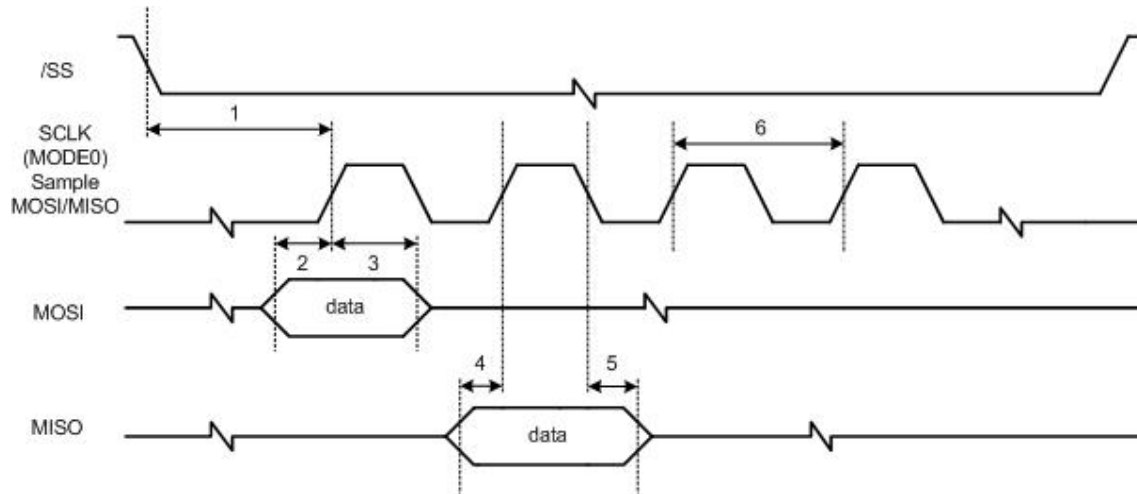
| Description | | Min | Max |
|-------------|-------------------------------------|-------|-------|
| 1 | Read Cycle Time | 80 ns | - |
| 2 | Valid Address to /CS low time | 8 ns | - |
| 3 | /CS low to /RD low time | - | 1 ns |
| 4 | /RD high to /CS high time | - | 1 ns |
| 5 | /RD low to Valid Data Output time | - | 80 ns |
| 6 | /RD high to Data High-Z Output time | - | 1 ns |

3.3. Register/Memory WRITE Timing



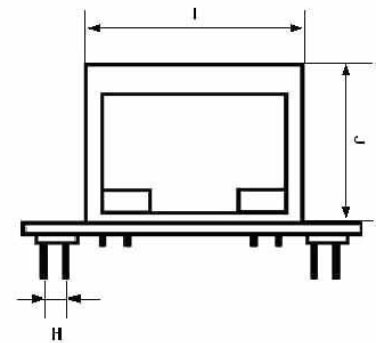
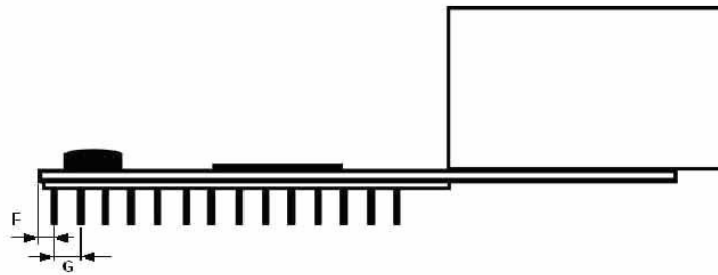
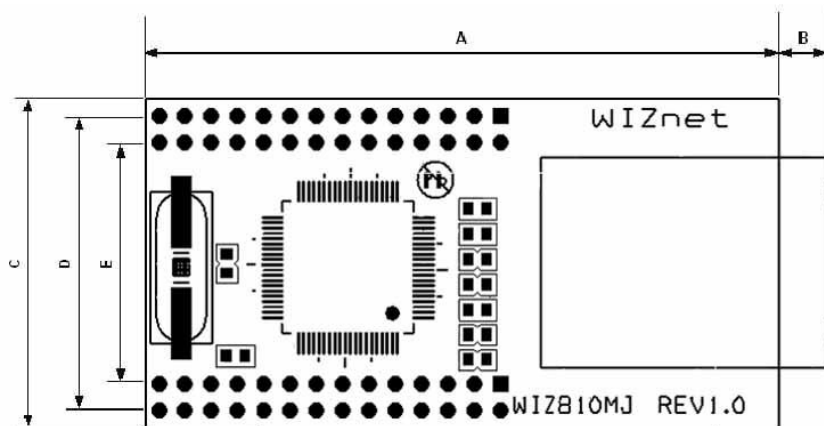
| Description | | Min | Max |
|-------------|-------------------------------|-------|-------|
| 1 | Write Cycle Time | 70 ns | - |
| 2 | Valid Address to /CS low time | 7 ns | - |
| 3 | /CS low to /WR high time | 70 ns | - |
| 4 | /CS low to /WR low time | - | 1 ns |
| 5 | /WR high to /CS high time | - | 1 ns |
| 6 | /WR low to Valid Data time | - | 14 ns |

3.4. SPI Timing



| Description | Mode | Min | Max |
|---------------------|-------|-------|-------|
| 1 /SS low to SCLK | Slave | 21 ns | - |
| 2 Input setup time | Slave | 7 ns | - |
| 3 Input hold time | Slave | 28 ns | - |
| 4 Output setup time | Slave | 7 ns | 14 ns |
| 5 Output hold time | Slave | 21 ns | - |
| 6 SCLK time | Slave | 70 ns | |

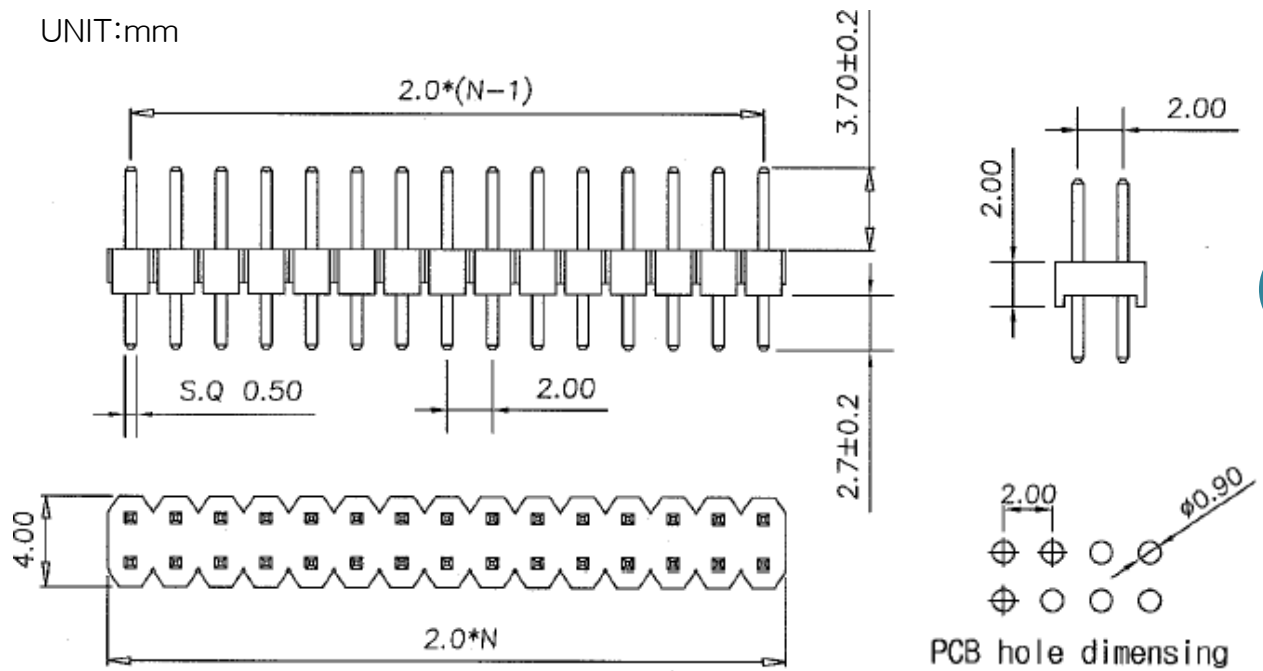
4. Dimensions



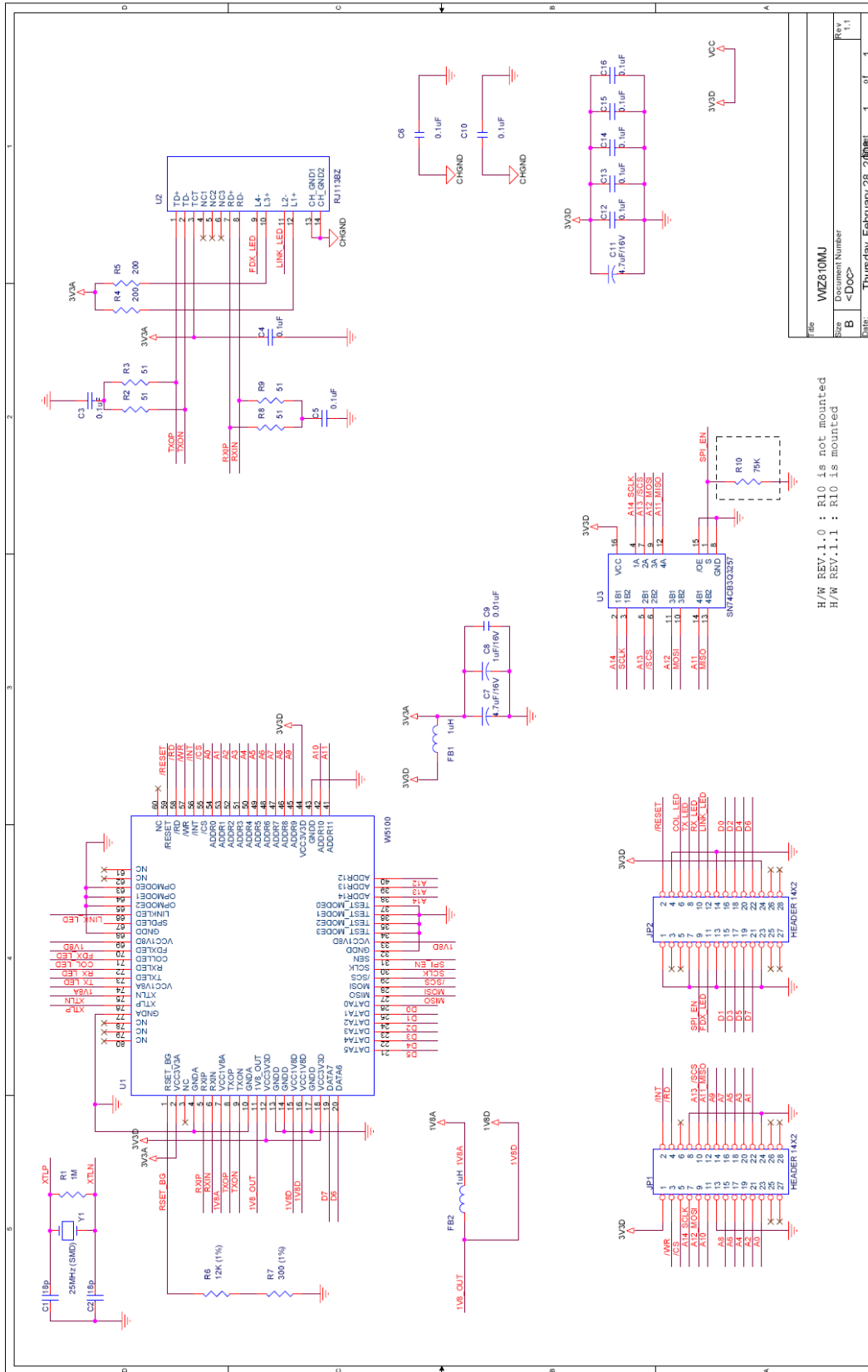
| Symbols | Dimensions (mm) |
|---------|-----------------|
| A | 48.0 |
| B | 3.5 |
| C | 25.0 |
| D | 22.4 |
| E | 18.4 |
| F | 1.0 |
| G | 2.0 |
| H | 2.0 |
| I | 16.0 |
| J | 13.5 |

5. Connector Specification

UNIT:mm



6. Schematic



file: WIZ810MJ
 Sheet: 1 Document Number
 B <DOC>
 Date: Thursday, February 28, 2008

H/W REV.1.0 : R10 is not mounted
 H/W REV.1.1 : R10 is mounted

7. Partlists

| Item | Q.ty | Reference | Part | Tech. Characteristics | Package |
|------|------|---|---------------------------------------|--------------------------|---------------|
| 1 | 2 | C2,C1 | 18pF | 50V-20% Ceramic | CASE 0603 |
| 2 | 10 | C3,C4,C5,C6,C10, C12,C13,C14,C15,C16 | 0.1uF | 50V-20% Ceramic | CASE 0603 |
| 3 | 2 | C7,C11 | 4.7uF/16V | 16Vmin 10% | EIA/IECQ 3216 |
| 4 | 1 | C8 | 1uF/16V | 16Vmin 10% | EIA/IECQ 3216 |
| 5 | 1 | C9 | 0.01uF | 50V-20% Ceramic | CASE 0603 |
| 6 | 2 | FB2,FB1 | 1uH Chip Ferrite Inductor | 1uH, 50mA | CASE 0805 |
| 7 | 2 | JP1,JP2 | 2X14 28PIN 2mm DIP STRAIGHT Header | 2 X 14 2mm pitch | |
| 8 | 1 | R1 | 1M ohm | 1/10W-5% SMD | CASE 0603 |
| 9 | 4 | R2,R3,R8,R9 | 51 ohm 1% | 1/10W-1% SMD | CASE 0603 |
| 10 | 2 | R5,R4 | 200 ohm | 1/10W-5% SMD | CASE 0603 |
| 11 | 1 | R6 | 12K ohm (1%) | 1/10W-1% SMD | CASE 0603 |
| 12 | 1 | R7 | 300 ohm (1%) | 1/10W-1% SMD | CASE 0603 |
| 13 | 1 | R10 | 75K ohm | 1/10W-5% SMD | CASE 0603 |
| 14 | 1 | U1 | W5100 | WIZnet Hardware TCP/IP | LQFP80 |
| 15 | 1 | U2 | RJ113BZ | Transformer + RJ45 | |
| 16 | 1 | U3 | SN74CB3Q3257 | Bus Switch(vendor : TI) | TSSOP |
| 17 | 1 | Y1 | 25MHz (SMD) | SMD Type, CL=18pF | SX-1 |
| 18 | 1 | | WIZ810MJ REV1.0 1.6T 4LAYER | PRINTED CIRCUIT BOARD | |



Компания «ЭлектроПласт» предлагает заключение долгосрочных отношений при поставках импортных электронных компонентов на взаимовыгодных условиях!

Наши преимущества:

- Оперативные поставки широкого спектра электронных компонентов отечественного и импортного производства напрямую от производителей и с крупнейших мировых складов;
- Поставка более 17-ти миллионов наименований электронных компонентов;
- Поставка сложных, дефицитных, либо снятых с производства позиций;
- Оперативные сроки поставки под заказ (от 5 рабочих дней);
- Экспресс доставка в любую точку России;
- Техническая поддержка проекта, помощь в подборе аналогов, поставка прототипов;
- Система менеджмента качества сертифицирована по Международному стандарту ISO 9001;
- Лицензия ФСБ на осуществление работ с использованием сведений, составляющих государственную тайну;
- Поставка специализированных компонентов (Xilinx, Altera, Analog Devices, Intersil, Interpoint, Microsemi, Aeroflex, Peregrine, Syfer, Eurofarad, Texas Instrument, Miteq, Cobham, E2V, MA-COM, Hittite, Mini-Circuits, General Dynamics и др.);

Помимо этого, одним из направлений компании «ЭлектроПласт» является направление «Источники питания». Мы предлагаем Вам помощь Конструкторского отдела:

- Подбор оптимального решения, техническое обоснование при выборе компонента;
- Подбор аналогов;
- Консультации по применению компонента;
- Поставка образцов и прототипов;
- Техническая поддержка проекта;
- Защита от снятия компонента с производства.



Как с нами связаться

Телефон: 8 (812) 309 58 32 (многоканальный)

Факс: 8 (812) 320-02-42

Электронная почта: org@eplast1.ru

Адрес: 198099, г. Санкт-Петербург, ул. Калинина, дом 2, корпус 4, литера А.