

PLEASE CHECK WWW.MOLEX.COM FOR LATEST PART INFORMATION

Part Number: [0527461171](#)
Status: **Active**
Overview:
Description: 0.50mm (.020") Pitch FFC/FPC Connector, Right Angle, SMT, ZIF, Bottom Contact Style, 11 Circuits, Lead-free, Gold Contact Plating, High Barrier Packaging

Agency Certification

CSA LR19980
 UL E29179

General

Product Family FFC/FPC Connectors
 Series 52746
 Overview ffc_fpc_smt
 Product Name N/A

Physical

Circuits (Loaded) 11
 Contact Position Bottom
 Durability (mating cycles max) 20
 Entry Angle 90° Angle
 Flammability 94V-0
 Mated Height (in) 0.079 In
 Mated Height (mm) 2.00 mm
 Material - Metal Phosphor Bronze
 Material - Plating Mating Gold
 Material - Plating Termination Gold
 Number of Rows 1
 Orientation Right Angle
 PCB Locator No
 PCB Retention Yes
 Packaging Type Embossed Tape on Reel
 Pitch - Mating Interface (in) 0.020 In
 Pitch - Mating Interface (mm) 0.50 mm
 Polarized to PCB Yes
 Stackable No
 Temperature Range - Operating -20°C to +85°C
 Termination Interface: Style Surface Mount
 Wire/Cable Type FFC/FPC

Electrical

Current - Maximum per Contact 0.5A
 Voltage - Maximum 50V

Material Info

Reference - Drawing Numbers

Packaging Specification SPK-52746-001, SPK-52746-002
 Product Specification PS-52746-015, RPS-52746-017, RPS-52746-044, RPS-52746-045, RPS-52746-050, RPS-52746-051, RPS-52746-053, RPS-52746-054, RPS-52746-056, RPS-52746-057, RPS-52746-060, RPS-52746-062
 Sales Drawing SD-52746-024, SD-52746-025

EU RoHS

ELV and RoHS Compliant

REACH SVHC

Not Reviewed

Halogen-Free

Status

Not Reviewed

China RoHS



Need more information on product environmental compliance?

Email productcompliance@molex.com
 For a multiple part number RoHS Certificate of Compliance, [click here](#)

Please visit the [Contact Us](#) section for any non-product compliance questions.

Search Parts in this Series

52746Series

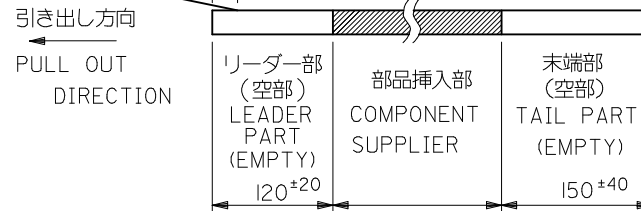
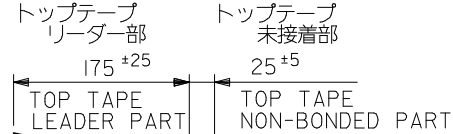
PLEASE CHECK WWW.MOLEX.COM FOR LATEST PART INFORMATION

注記 NOTES

1. 製品番号 52746-***39 の梱包状態はアクチュエータがロックした状態とする。
 詳細寸法については図面 SD-52746-025 を参照下さい。
 IN THE PACKAGE,ACTUATOR OF PART NO.52746-***39 SHOULD BE LOCKED
 RE DETAILED DIMENSIONS,SEE SD-52746-025

2. 梱包数量：1000個/リール
 NUMBER OF CONNECTORS:1000PCS/REEL

3. リードテープ長さ LEAD TAPE LENGTH

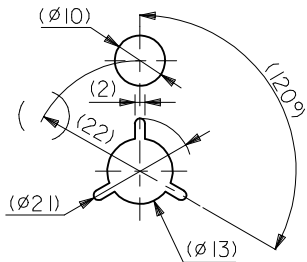
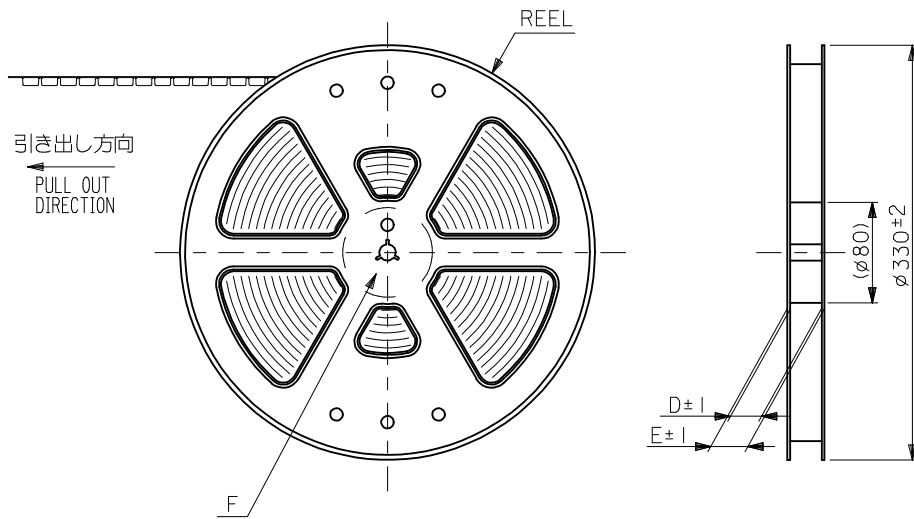
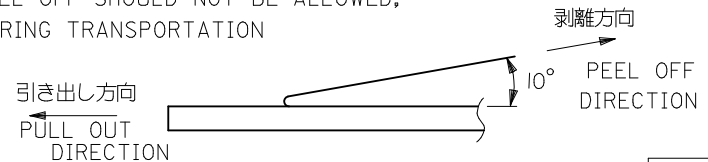


4. トップテープの剥離強度：(剥離方向は下図参照)

0. 1N~1.3N{10gf~130gf} 尚、本規格値は、出荷時に適用。
 (但し、輸送時に剥離が発生しない事。)

PEELING OFF FORCE OF TOP TAPE

0. 1N~1.3N{10gf~130gf}(PEELING DIRECTION AS SHOWN IN FOLLOWING FIG.)
 THIS REQUIREMENT SHOULD BE APPLIED AT SHIPMENT
 PEEL OFF SHOULD NOT BE ALLOWED,
 DURING TRANSPORTATION



DETAIL F

5. 材料 キャリアテープ:ポリプロピレン (PP)
 トップテープ:PET, PE, PEF
 リール:ポリスチレン (PS) <リサイクル材を含む>

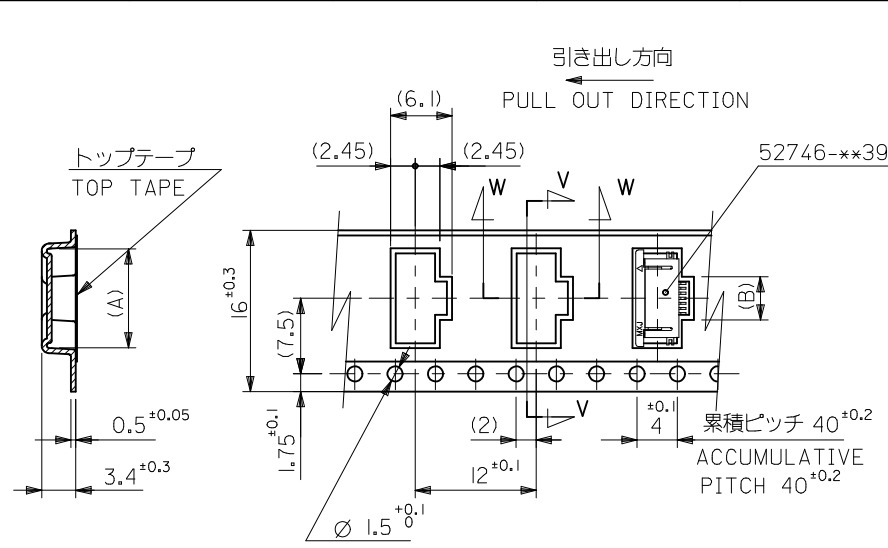
MATERIAL CARRIER TAPE:POLYPROPYLENE
 TOP TAPE:PET,PE,PEF
 REEL:POLYSTYRENE(PS)
 <RECYCLE MATERIAL CONTAINED>

6. 本製品は 52746-***81 の鉛フリー品です
 THIS PRODUCT IS LEAD FREE OF 52746-***81

7. 本製品は乾燥剤入り、ハイバリア梱包仕様である。
 THIS PRODUCT IS HIGH BARRIER PACKAGE WITH DESICCANT.

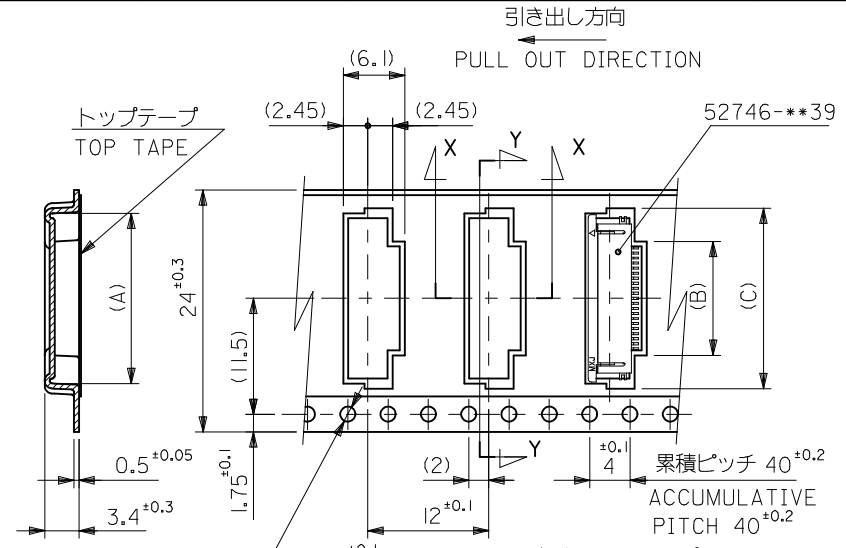
MODEL No.52746-***71

REVISED EC NO: J2009-2061 DRWN:TKON CHKD:HATSUMOTO APPR:NUKITA	GENERAL TOLERANCES (UNLESS SPECIFIED)		DIMENSION STYLE MM ONLY		SCALE ---	DESIGN UNITS METRIC	THIRD ANGLE PROJECTION
	10 UNDER	±0.2	DRAWN BY HSHIMABUKURO	DATE '04/01/30	TITLE 0.5 FPC CONN ZIF SMT RA B/CONT EMBSTP PKG -LEAD FREE-		
	10 OVER 30 UNDER	±0.25	CHECKED BY KTOJO	DATE '04/01/30			
	30 OVER	±0.3	APPROVED BY MSASAO	DATE '04/01/30	MOLEX INCORPORATED		
	ANGULAR ±3 °		MATERIAL NO. SEE SHEET 2,3				
DRAFT WHERE APPLICABLE MUST REMAIN WITHIN DIMENSIONS		THIS DRAWING CONTAINS INFORMATION THAT IS PROPRIETARY TO MOLEX INCORPORATED AND SHOULD NOT BE USED WITHOUT WRITTEN PERMISSION					



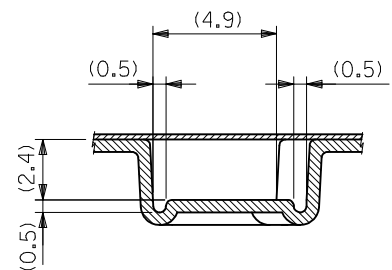
SECT.V-V

16mm幅キャリアテープ
16mm WIDTH CARRIER TAPE

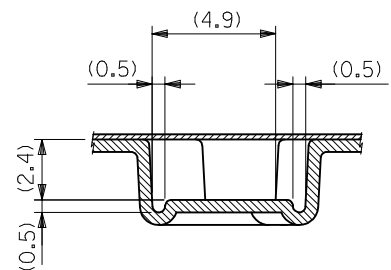


SECT.Y-Y

24mm幅キャリアテープ
24mm WIDTH CARRIER TAPE



SECT.W-W



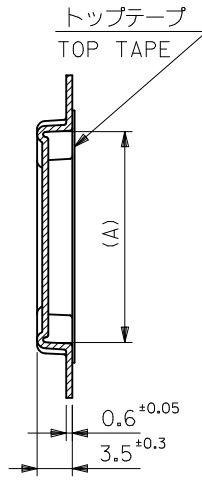
SECT.X-X

24	29.4	25.4	24.4	11.8	17.4	52746-2271	22
			17.9	11.3	16.9	52746-2171	21
			17.4	10.8	16.4	52746-2071	20
			16.9	10.3	15.9	52746-1971	19
			16.4	9.8	15.4	52746-1871	18
			15.9	9.3	14.9	52746-1771	17
			15.4	8.8	14.4	52746-1671	16
			14.9	8.3	13.9	52746-1571	15
			14.4	7.8	13.4	52746-1471	14
			13.9	7.3	12.9	52746-1371	13
			13.4	6.8	12.4	52746-1271	12
			12.9	6.3	11.9	52746-1171	11
			12.4	5.8	11.4	52746-1071	10
			11.9	5.3	10.9	52746-0971	9
			11.4	4.8	10.4	52746-0871	8
10.9	4.3	9.9	52746-0771	7			
10.4	3.8	9.4	52746-0671	6			
9.4	2.8	8.4	52746-0471	4			

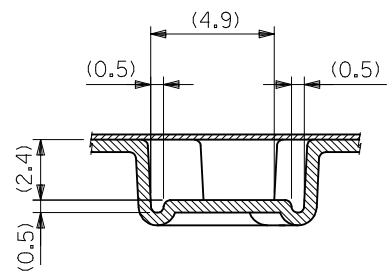
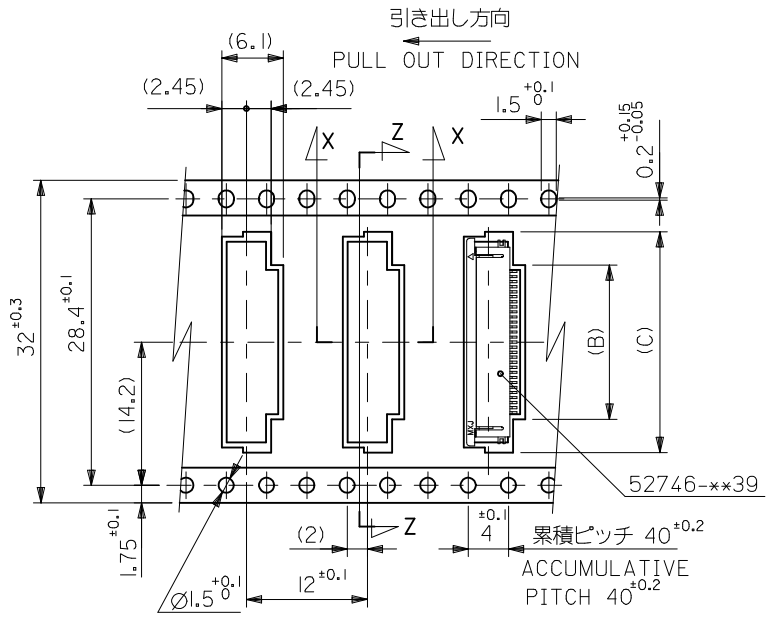
16	21.4	17.4	9.4	2.8	8.4	52746-0471	4
----	------	------	-----	-----	-----	------------	---

キャリアテープ幅 CARRIER TAPE WIDTH	E	D	(C)	(B)	(A)	MATERIAL NO.	極数 CIRCUITS
--------------------------------	---	---	-----	-----	-----	--------------	----------------

REVISED EC NO: J2009-2061 DRWN:TKON 2009/05/20 CHKD:HMATSUMOTO 2009/05/21 APPR:NIKI ITA 2009/05/21	GENERAL TOLERANCES (UNLESS SPECIFIED)		DIMENSION STYLE MM ONLY		SCALE ---	DESIGN UNITS METRIC		THIRD ANGLE PROJECTION	
	10 UNDER	±0.2	DRAWN BY	DATE	TITLE				
	10 OVER 30 UNDER	±0.25	HSHIMABUKURO	'04/01/30	0.5 FPC CONN ZIF SMT RA B/CONT EMBSTP PKG -LEAD FREE-				
	30 OVER	±0.3	CHECKED BY	DATE	MOLEX INCORPORATED				
	ANGULAR	±3 °	KTOJO	'04/01/30	MATERIAL NO. DOCUMENT NO. SHEET NO.				
DRAFT WHERE APPLICABLE MUST REMAIN WITHIN DIMENSIONS		APPROVED BY	DATE	SEE TABLE		SD-52746-024		2 OF 3	
		MSASAO	'04/01/30	THIS DRAWING CONTAINS INFORMATION THAT IS PROPRIETARY TO MOLEX INCORPORATED AND SHOULD NOT BE USED WITHOUT WRITTEN PERMISSION					



SECT.Z-Z



SECT.X-X

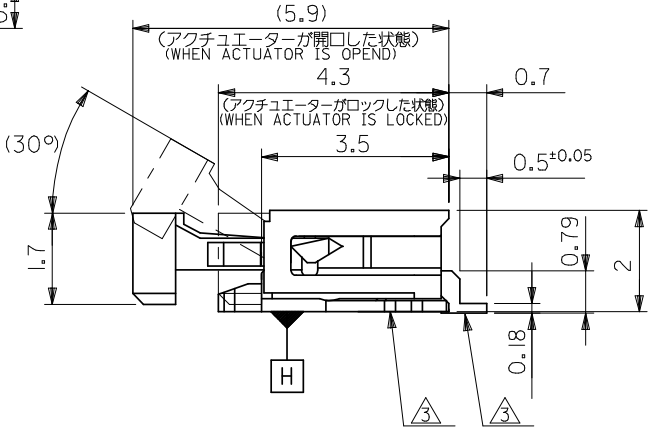
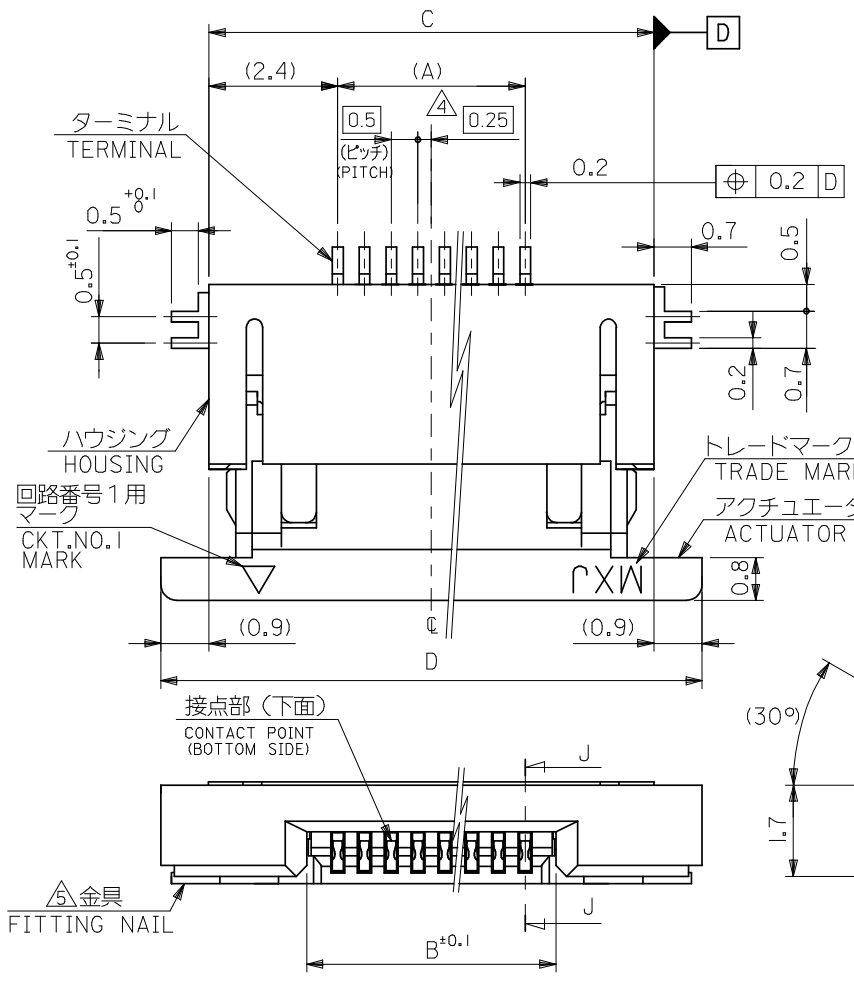
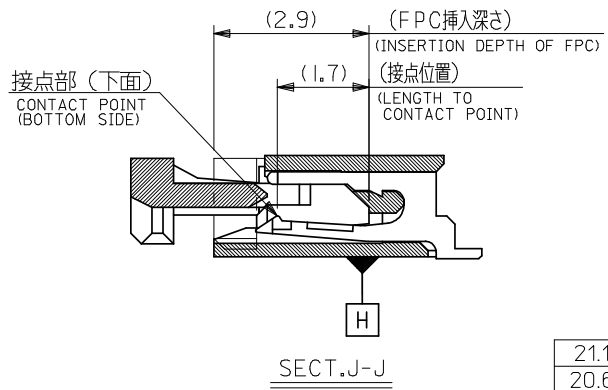
32mm幅キャリアテープ
32mm WIDTH CARRIER TAPE

32	37.4	33.4	22.4	15.8	21.4	52746-3071	30
			21.4	14.8	20.4	52746-2871	28
			20.9	14.3	19.9	52746-2771	27
			19.9	13.3	18.9	52746-2571	25
			19.4	12.8	18.4	52746-2471	24
キャリアテープ幅 CARRIER TAPE WIDTH	E	D	(C)	(B)	(A)	MATERIAL NO.	極数 CIRCUIT

REVISED EC NO: J2009-2061 DRWN:TKON 2009/05/20 CHKD:HMATSUMOTO 2009/05/21 APPR:NUKITA 2009/05/21	DESCRIPTION REV	GENERAL TOLERANCES (UNLESS SPECIFIED)		DIMENSION STYLE MM ONLY		SCALE ---	DESIGN UNITS METRIC	THIRD ANGLE PROJECTION		
		10 UNDER	±0.2	DRAWN BY HSHIMABUKURO	DATE '04/01/30	TITLE 0.5 FPC CONN ZIF SMT RA B/CONT EMBSTP PKG -LEAD FREE-				
		10 OVER 30 UNDER	±0.25	CHECKED BY KTOJO	DATE '04/01/30	MOLEX INCORPORATED				
		30 OVER	±0.3	APPROVED BY MSASAO	DATE '04/01/30	DOCUMENT NO. SD-52746-024				
		ANGULAR ±3 °		MATERIAL NO. SEE TABLE		SHEET NO. 3 OF 3				
DRAFT WHERE APPLICABLE MUST REMAIN WITHIN DIMENSIONS		THIS DRAWING CONTAINS INFORMATION THAT IS PROPRIETARY TO MOLEX INCORPORATED AND SHOULD NOT BE USED WITHOUT WRITTEN PERMISSION								

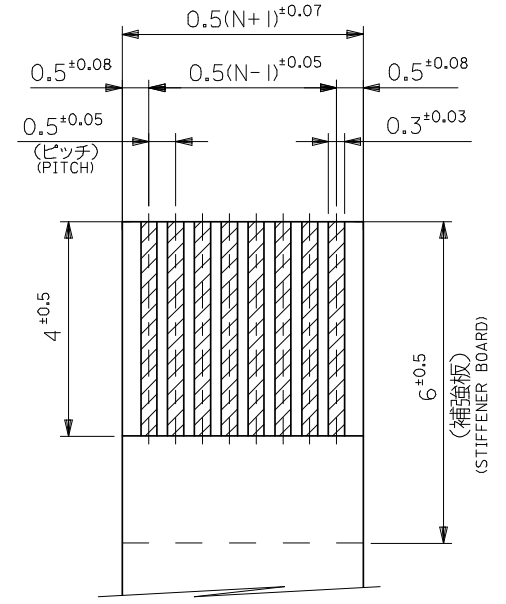
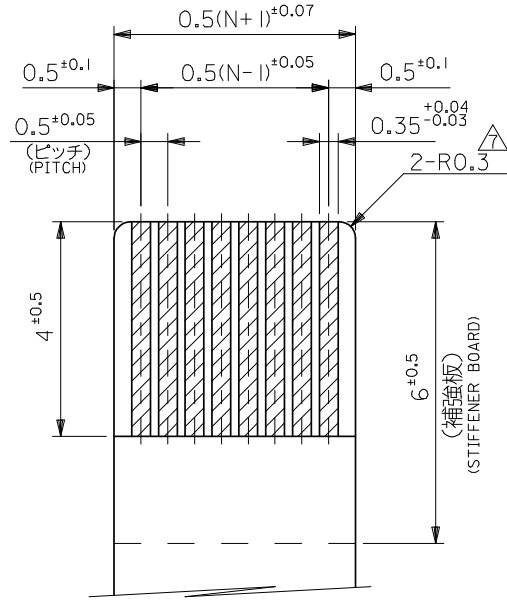
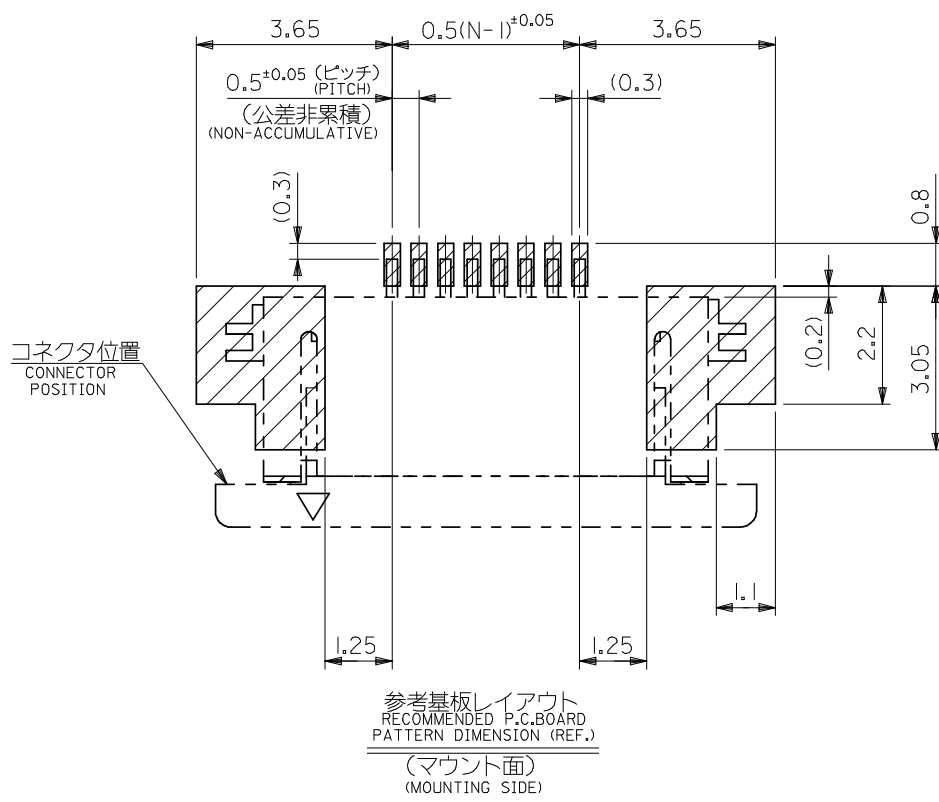
注記 NOTES

- 使用材料 MATERIAL
 - ハウジング HOUSING : 46ナイロン, UL94V-0 46NYLON
 - アクチュエータ ACTUATOR : PPS, UL94V-0
 - ターミナル TERMINAL : リン青銅 (≒0.2)、ニッケル下地 金メッキ PHOSHOR BRONZE, GOLD OVER NICKEL PLATING
 - 金具 FITTING NAIL : リン青銅 (≒0.2)、ニッケル下地 錫メッキ PHOSHOR BRONZE, TIN OVER NICKEL PLATING
- エンボステープ梱包時は、アクチュエータがロックした状態とす。 IN THE PACKAGE, ACTUATOR OF PART NO.52746-**39 SHOULD BE LOCKED.
- ソルダータール半田付け面のズレ量、及び金具半田付け面のズレ量は、基準面 H に対し、上方向 0.1MAX、下方向 0.15MAX とす。 MISALIGNMENT OF SOLDER TAILS AND FITTING NAILS FROM H UPPER DIRECTION: 0.1 MAX., LOWER DIRECTION: 0.15MAX.
- 偶数極に適用。 APPLY FOR EVEN CIRCUIT.
- パターンはくり止め用金具 FITTING NAIL FOR PREVENTION OF PEELING OF P.C.B. PATTERN.
- 本製品は 52746-**38の鉛フリー品です。 THIS PRODUCT IS LEAD FREE OF 52746-**38



21.1	19.3	15.65	14.5	52746-3071	52746-3039	30
20.6	18.8	15.15	14.0	52746-2971	52746-2939	29
20.1	18.3	14.65	13.5	52746-2871	52746-2839	28
19.6	17.8	14.15	13.0	52746-2771	52746-2739	27
19.1	17.3	13.65	12.5	52746-2671	52746-2639	26
18.6	16.8	13.15	12.0	52746-2571	52746-2539	25
18.1	16.3	12.65	11.5	52746-2471	52746-2439	24
17.6	15.8	12.15	11.0	52746-2371	52746-2339	23
17.1	15.3	11.65	10.5	52746-2271	52746-2239	22
16.6	14.8	11.15	10.0	52746-2171	52746-2139	21
16.1	14.3	10.65	9.5	52746-2071	52746-2039	20
15.6	13.8	10.15	9.0	52746-1971	52746-1939	19
15.1	13.3	9.65	8.5	52746-1871	52746-1839	18
14.6	12.8	9.15	8.0	52746-1771	52746-1739	17
14.1	12.3	8.65	7.5	52746-1671	52746-1639	16
13.6	11.8	8.15	7.0	52746-1571	52746-1539	15
13.1	11.3	7.65	6.5	52746-1471	52746-1439	14
12.6	10.8	7.15	6.0	52746-1371	52746-1339	13
12.1	10.3	6.65	5.5	52746-1271	52746-1239	12
11.6	9.8	6.15	5.0	52746-1171	52746-1139	11
11.1	9.3	5.65	4.5	52746-1071	52746-1039	10
10.6	8.8	5.15	4.0	52746-0971	52746-0939	9
10.1	8.3	4.65	3.5	52746-0871	52746-0839	8
9.6	7.8	4.15	3.0	52746-0771	52746-0739	7
9.1	7.3	3.65	2.5	52746-0671	52746-0639	6
8.1	6.3	2.65	1.5	52746-0471	52746-0439	4
D	C	B	(A)	EMBOSSD TAPE ORDER No. オーダー番号	MATERIAL NO.	極数 CIRCUITS

REVISED EC NO: J2008-4308 DRWN: MWABEI 2008/06/27 CH'KD: THARYAMA 2008/06/30 APPR: NUKITA 2008/06/30	GENERAL TOLERANCES (UNLESS SPECIFIED)		DIMENSION STYLE	SCALE	DESIGN UNITS	THIRD ANGLE PROJECTION
			MM ONLY	---	METRIC	
	10 UNDER	±0.2	DRAWN BY	DATE	TITLE	
	10 OVER 30 UNDER	±0.25	HSHIMABUKURO	'04/01/30	0.5 FPC CONN ZIF FOR SMT R/A (BOTTOM CONTACT) -LEAD FREE-	
	30 OVER	±0.3	CHECKED BY	DATE	MOLEX INCORPORATED	
ANGULAR	±3 °	KTOJO	'04/01/30	MATERIAL NO.		
DRAFT WHERE APPLICABLE MUST REMAIN WITHIN DIMENSIONS		APPROVED BY	DATE	DOCUMENT NO.		SHEET NO.
		MSASAO	'04/01/30	SEE TABLE		SD-52746-025
		THIS DRAWING CONTAINS INFORMATION THAT IS PROPRIETARY TO MOLEX INCORPORATED AND SHOULD NOT BE USED WITHOUT WRITTEN PERMISSION				1 OF 2



注記 NOTES

△ R0.3は、FPCの導体部にかからないこと。
R0.3 MUST NOT BE OVERLAPPED TO PATTERN OF FPC.

FPCについて:

打抜き方向は導体側から補強板を推奨致します。
補強フィルム材質はポリイミドを推奨致します。
接着剤は熱硬化接着剤を推奨致します。

ABOUT FPC:

RECOMMENDED PUNCHER DIRECTION : FROM CONDUCTOR SIDE TO STIFFENER BOARD SIDE.

RECOMMENDED MATERIAL :

STIFFENER FILM : POLYIMIDE
BONDING AGENT : THERMOSETTING BONDING AGENT

52746-**39 MODEL NO.

REVISED EC NO: J2008-4308 DRWN: MWABEI 2008/06/27 CHKD: THARUYAMA 2008/06/30 APPR: NUKITA 2008/06/30	GENERAL TOLERANCES (UNLESS SPECIFIED)		DIMENSION STYLE MM ONLY	SCALE ---	DESIGN UNITS METRIC	THIRD ANGLE PROJECTION
	10 UNDER	±0.2	DRAWN BY HSHIMABUKURO	DATE '04/01/30	TITLE 0.5 FPC CONN ZIF FOR SMT R/A (BOTTOM CONTACT) -LEAD FREE-	
	10 OVER 30 UNDER	±0.25	CHECKED BY KTOJO	DATE '04/01/30	MOLEX INCORPORATED	
	30 OVER	±0.3	APPROVED BY MSASAO	DATE '04/01/30	DOCUMENT NO. SD-52746-025	SHEET NO. 2 OF 2
	ANGULAR ±3 °		MATERIAL NO. SEE TABLE			
	DRAFT WHERE APPLICABLE MUST REMAIN WITHIN DIMENSIONS		SIZE A3	THIS DRAWING CONTAINS INFORMATION THAT IS PROPRIETARY TO MOLEX INCORPORATED AND SHOULD NOT BE USED WITHOUT WRITTEN PERMISSION		



Компания «ЭлектроПласт» предлагает заключение долгосрочных отношений при поставках импортных электронных компонентов на взаимовыгодных условиях!

Наши преимущества:

- Оперативные поставки широкого спектра электронных компонентов отечественного и импортного производства напрямую от производителей и с крупнейших мировых складов;
- Поставка более 17-ти миллионов наименований электронных компонентов;
- Поставка сложных, дефицитных, либо снятых с производства позиций;
- Оперативные сроки поставки под заказ (от 5 рабочих дней);
- Экспресс доставка в любую точку России;
- Техническая поддержка проекта, помощь в подборе аналогов, поставка прототипов;
- Система менеджмента качества сертифицирована по Международному стандарту ISO 9001;
- Лицензия ФСБ на осуществление работ с использованием сведений, составляющих государственную тайну;
- Поставка специализированных компонентов (Xilinx, Altera, Analog Devices, Intersil, Interpoint, Microsemi, Aeroflex, Peregrine, Syfer, Eurofarad, Texas Instrument, Miteq, Cobham, E2V, MA-COM, Hittite, Mini-Circuits, General Dynamics и др.);

Помимо этого, одним из направлений компании «ЭлектроПласт» является направление «Источники питания». Мы предлагаем Вам помощь Конструкторского отдела:

- Подбор оптимального решения, техническое обоснование при выборе компонента;
- Подбор аналогов;
- Консультации по применению компонента;
- Поставка образцов и прототипов;
- Техническая поддержка проекта;
- Защита от снятия компонента с производства.



Как с нами связаться

Телефон: 8 (812) 309 58 32 (многоканальный)

Факс: 8 (812) 320-02-42

Электронная почта: org@eplast1.ru

Адрес: 198099, г. Санкт-Петербург, ул. Калинина, дом 2, корпус 4, литера А.