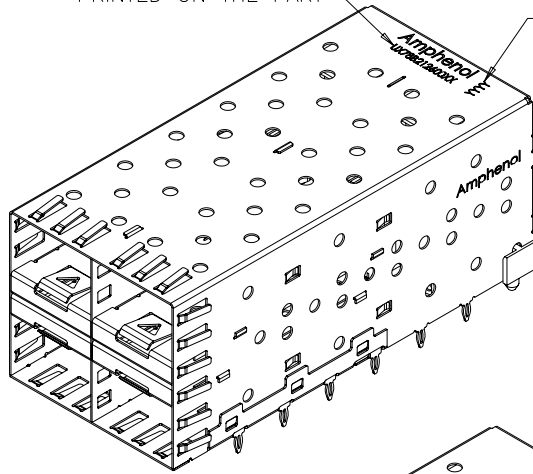
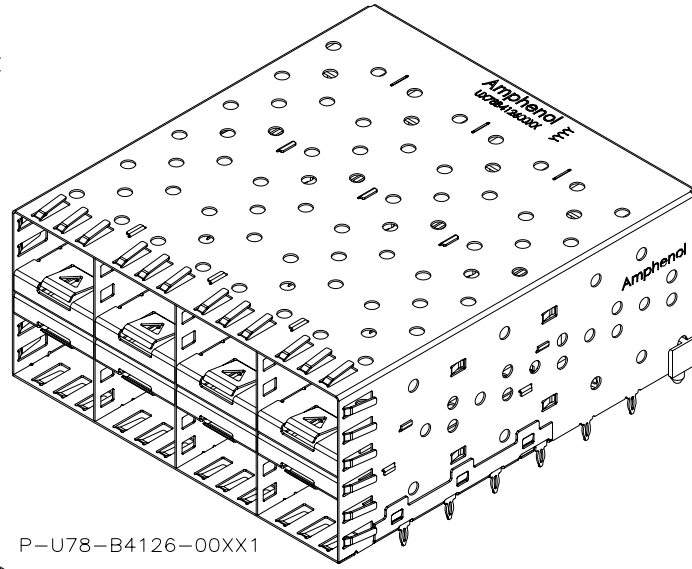


LAST DIGIT INDICATING PACKAGING TYPE, NOT PRINTED ON THE PART

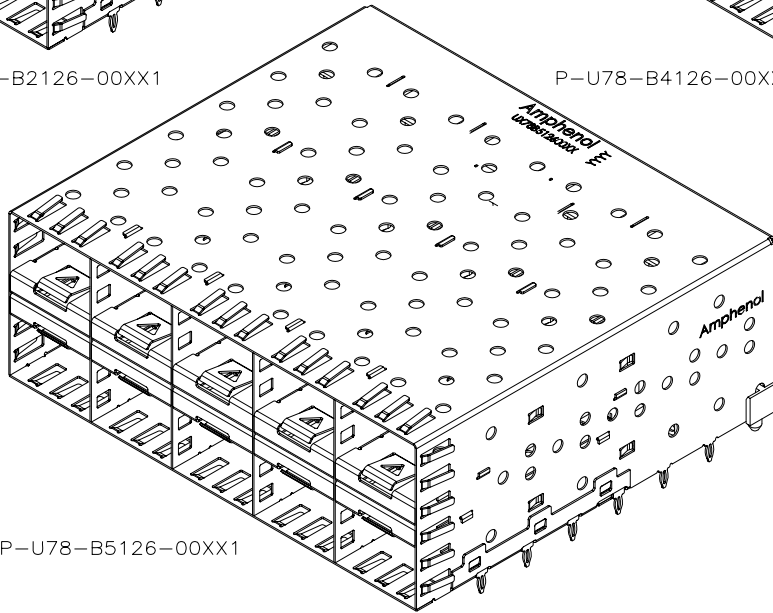
DATE CODE



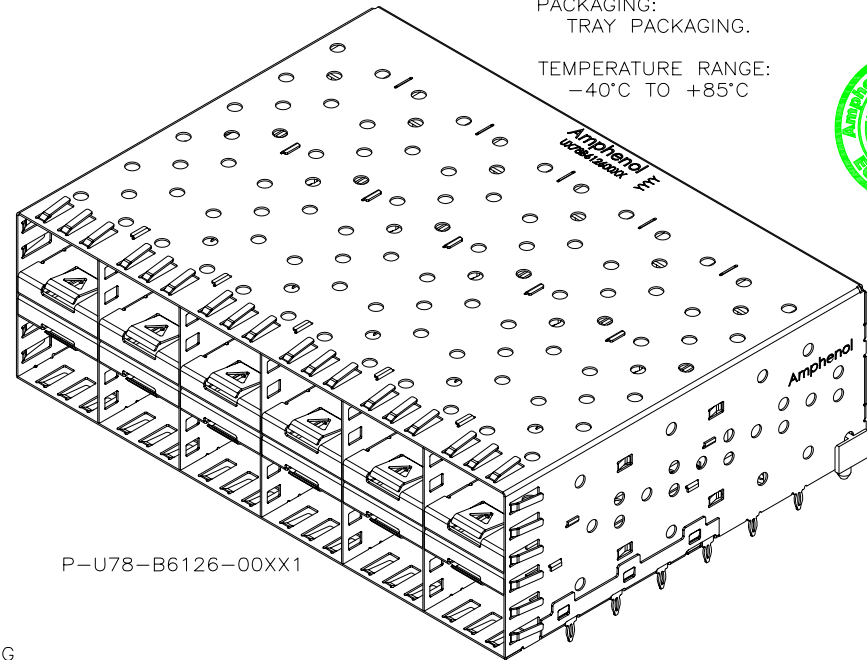
P-U78-B2126-00XX1



P-U78-B4126-00XX1



P-U78-B5126-00XX1



P-U78-B6126-00XX1

AMPHENOL PART NUMBER CONFIGURATION

- U78 - B X 1 2 6 - 0 0 X X 1
- NUMBER OF PORTS
    - 2 = 2X2 (4 PORTS)
    - 4 = 2X4 (8 PORTS)
    - 5 = 2X5 (10 PORTS)
    - 6 = 2X6 (12 PORTS)
  - PACKAGING
    - 1 = TRAY
  - CAGE PLATING
    - 1 = TIN PLATING
    - 2 = NICKEL PLATING
  - PRESS FIT CONNECTOR PLATING
    - 1 = 30 U" MIN. GOLD ON MATING AREA  
150-300 U" TIN/LEAD ON TERMINATION
    - 4 = 15 U" MIN. GOLD ON MATING AREA  
150-300 U" TIN/LEAD ON TERMINATION

REVISIONS				
SYM	ZONE	ECN, ERN NO.	DATE	APPRD.
A		PROPOSAL	2005/09/23	
C		PIN # ADDED ON MATING AREA	2006/05/31	
D		UPDATED	NOV05/08	

THIS IS A CAD DRAWING. DO NOT MANUALLY REVISE.

MATERIAL: (RoHS-5 COMPLIANT)

CAGE PRESS FIT (RoHS COMPLIANT):  
COPPER ALLOY

PLATING:  
SEE AMPHENOL PART NUMBER  
CONFIGURATION FOR OPTIONS.

CONNECTOR PRESS FIT (RoHS-5 COMPLIANT):

PLASTIC HOUSING:  
HIGH TEMPERATURE RESISTANT NYLON  
FLAMMABILITY RATING UL94V-0.

CONTACTS:  
PHOSPHOR BRONZE  
PLATING OPTION:  
SEE AMPHENOL PART NUMBER  
CONFIGURATION FOR OPTIONS.

PACKAGING:  
TRAY PACKAGING.

TEMPERATURE RANGE:  
-40°C TO +85°C



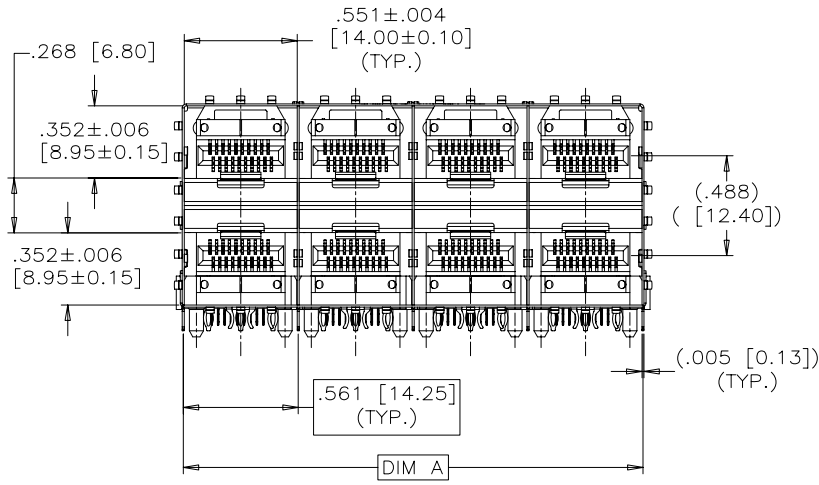
DRAWN	J.SI	DATE	2005/09/23
DESIGNED	J.SI	DATE	2005/09/23
CHECKED	X		
DWG. APPRD.			
ENG. REL. NO.			
REF.	X		
DIMENSIONS ARE IN	CODE ID. NO.		
INCHES [mm]	03554		

Amphenol Canada Corp.		
TITLE SFP 2XN STACKED COMBO WITH PRESS FIT PINS (CONNECTOR AND CAGE)		
DWG	DRAWING NO.	REV.
A	P-U78-BX126-00XX1	D
SCALE	WT.	SURF.
2:1		
SHEET 1 OF 5		

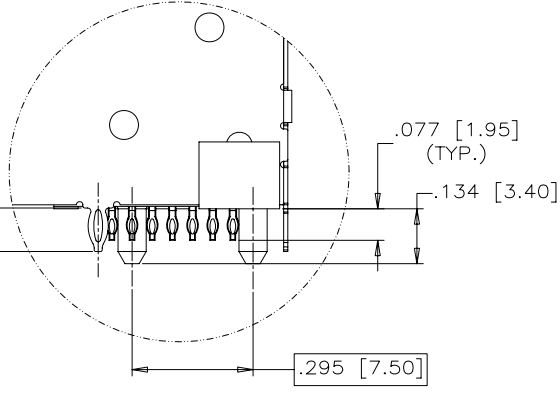
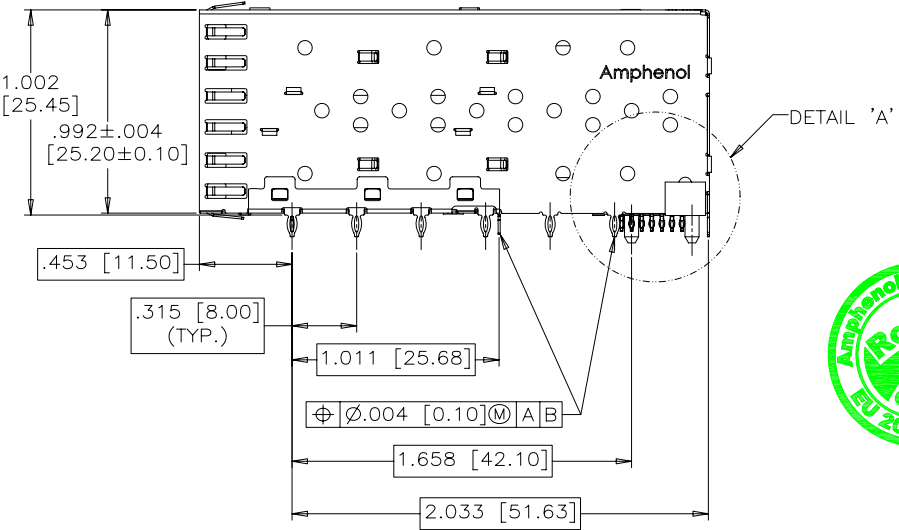
THIS DOCUMENT CONTAINS PROPRIETARY INFORMATION AND SUCH INFORMATION MAY NOT BE DISCLOSED TO OTHERS FOR ANY PURPOSE OR USED FOR MANUFACTURING PURPOSES WITHOUT WRITTEN PERMISSION FROM AMPHENOL CANADA CORP.

REVISIONS				
SYM	ZONE	ECN, ERN NO.	DATE	APPRD.
A		PROPOSAL	2005/09/23	
C		PIN # ADDED ON MATING AREA	2006/05/31	
D		UPDATED	NOV05/08	

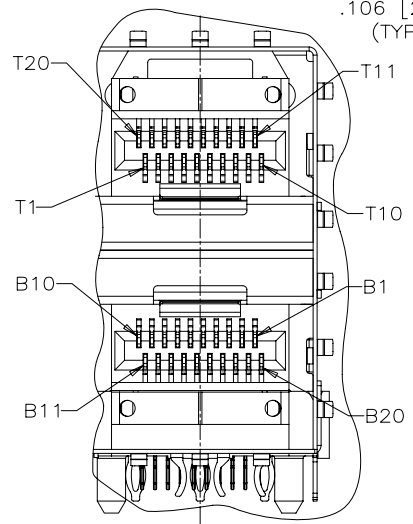
THIS IS A CAD DRAWING. DO NOT MANUALLY REVISE.



(P-U78-B4126-00XX1 SHOWN)

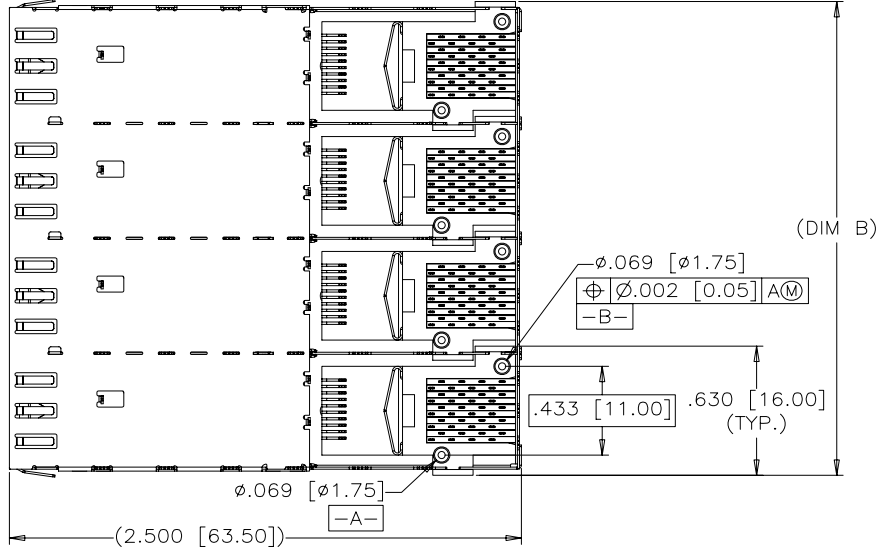


DETAIL 'A'  
SCALE 2:1



TYPICAL PIN ASSIGNMENT ON MATING AREA

PART NUMBER	DIM A	DIM B
P-U78-B2126-00XX1	1.122 [28.50]	1.191 [30.25]
P-U78-B4126-00XX1	2.244 [57.00]	2.313 [58.75]
P-U78-B5126-00XX1	2.805 [71.25]	2.874 [73.00]
P-U78-B6126-00XX1	3.366 [85.50]	3.435 [87.25]



(P-U78-B4126-00XX1 SHOWN)

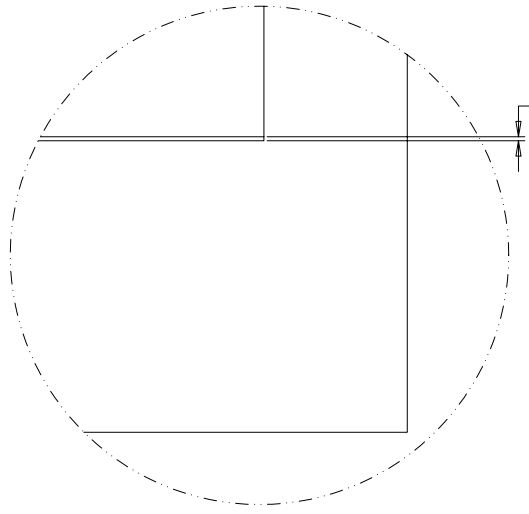
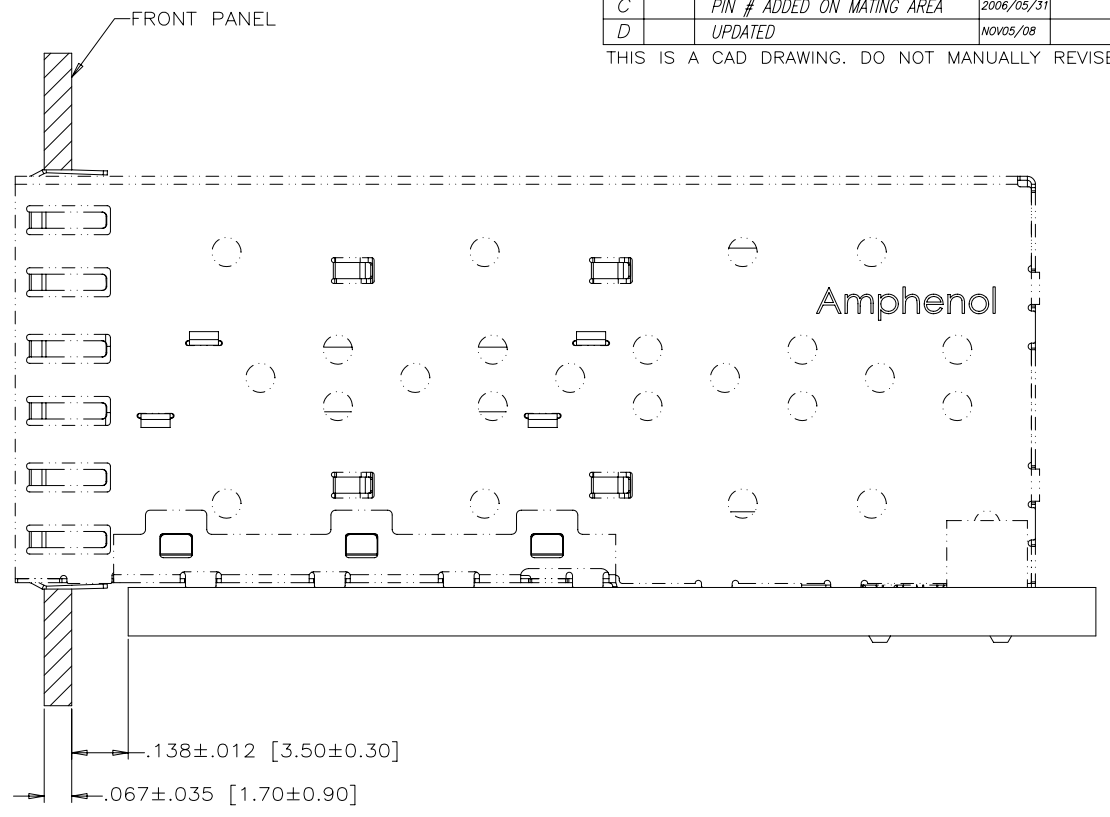
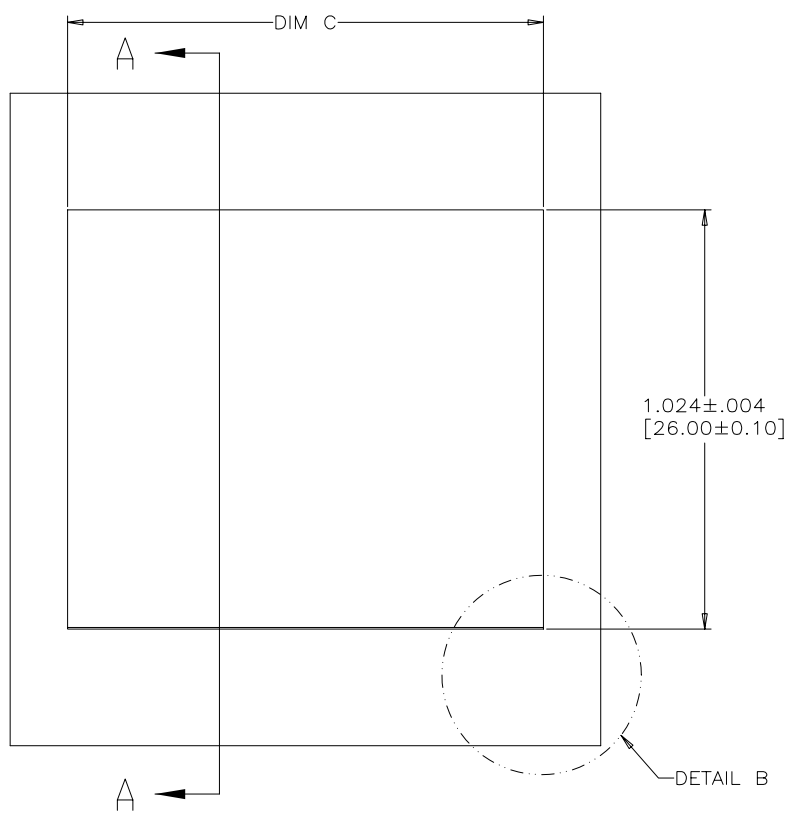
DRAWN	J.SI	DATE	2005/09/23
DESIGNED	J.SI	DATE	2005/09/23
CHECKED	X		
DWG. APPRD.			
ENG. REL. NO.			
REF.	X		
DIMENSIONS ARE IN	CODE ID. NO.		
INCHES [mm]	03554		

Amphenol Canada Corp.			
TITLE SFP 2XN STACKED COMBO WITH PRESS FIT PINS (CONNECTOR AND CAGE)			
DWG	DRAWING NO.	REV.	
A	P-U78-BXN126-00XX1	D	
SCALE	1:1	WT.	
SURF.		SHEET	2 OF 5

THIS DOCUMENT CONTAINS PROPRIETARY INFORMATION AND SUCH INFORMATION MAY NOT BE DISCLOSED TO OTHERS FOR ANY PURPOSE OR USED FOR MANUFACTURING PURPOSES WITHOUT WRITTEN PERMISSION FROM AMPHENOL CANADA CORP.

REVISIONS				
SYM	ZONE	ECN, ERN NO.	DATE	APPRD.
A		PROPOSAL	2005/09/23	
C		PIN # ADDED ON MATING AREA	2006/05/31	
D		UPDATED	NOV05/08	

THIS IS A CAD DRAWING. DO NOT MANUALLY REVISE.



.004±.004 / .003 [0.10±0.10 / -0.08]  
(TOP OF PCB ABOVE PANEL CUT OUT)

PART NUMBER	DIM C
P-U78-B2126-00XX1	1.161 [29.50]
P-U78-B4126-00XX1	2.283 [58.00]
P-U78-B5126-00XX1	2.844 [72.25]
P-U78-B6126-00XX1	3.406 [86.50]



DRAWN	J.SI	DATE	2005/09/23
DESIGNED	J.SI	DATE	2005/09/23
CHECKED	X		
DWG. APPRD.			
ENG. REL. NO.			
REF.	X		
DIMENSIONS ARE IN	INCHES [mm]	CODE ID. NO.	03554

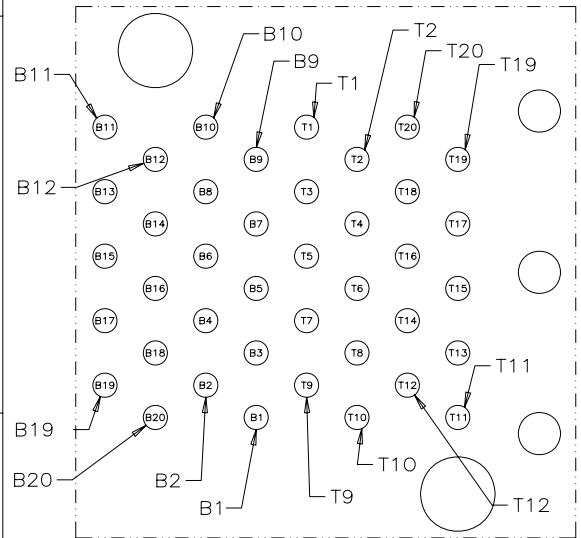
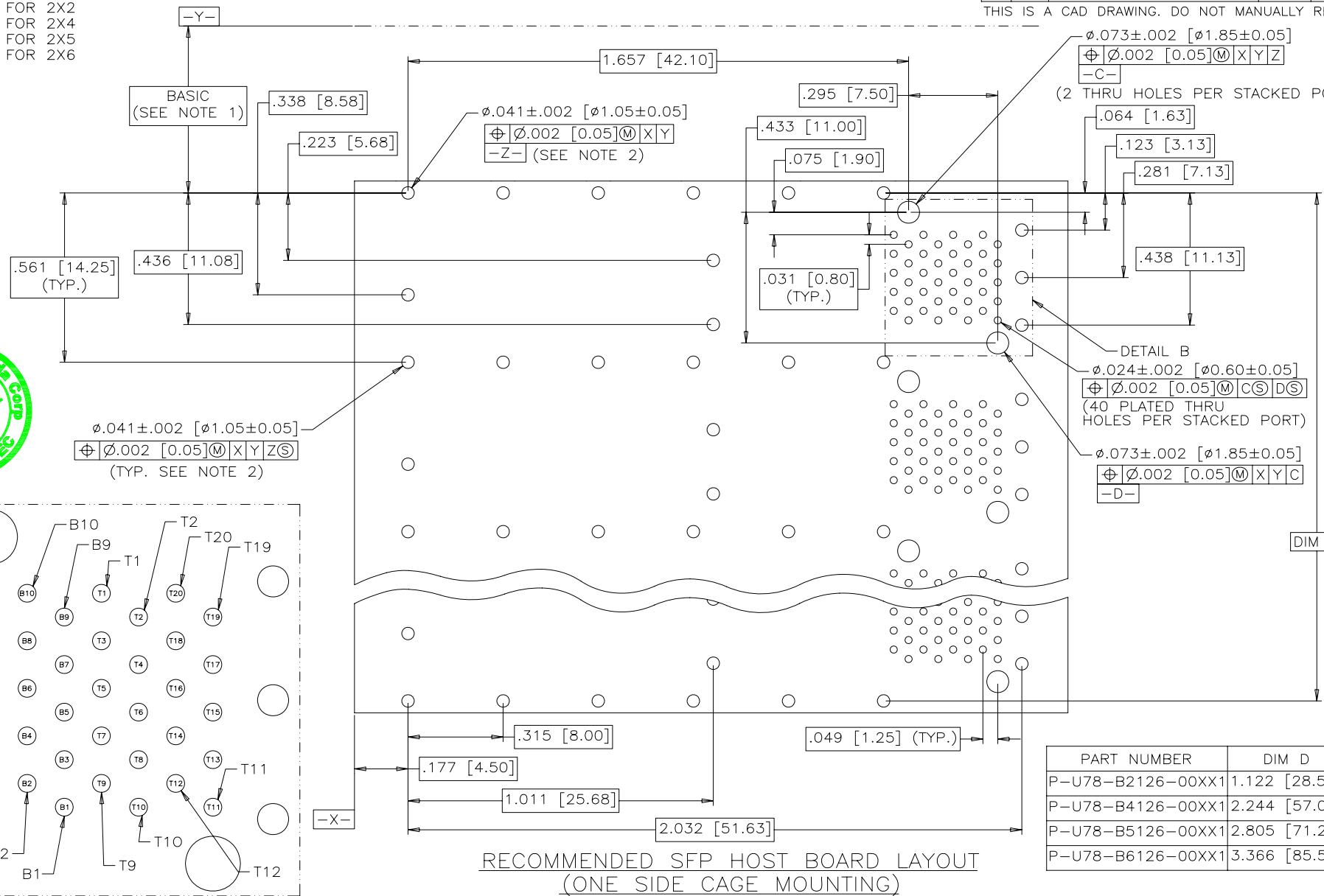
Amphenol Canada Corp.		
TITLE		
SFP 2XN STACKED COMBO WITH PRESS FIT PINS (CONNECTOR AND CAGE)		
DWG	DRAWING NO.	REV.
A	P-U78-BX126-00XX1	D
SCALE	2:1	WT. _____ SURF. _____ SHEET 3 OF 5

THIS DOCUMENT CONTAINS PROPRIETARY INFORMATION AND SUCH INFORMATION MAY NOT BE DISCLOSED TO OTHERS FOR ANY PURPOSE OR USED FOR MANUFACTURING PURPOSES WITHOUT WRITTEN PERMISSION FROM AMPHENOL CANADA CORP.

- NOTES:  
 1. DATUM AND BASIC DIMENSIONS ESTABLISHED BY CUSTOMER  
 2. HOLES ARE CHASSIS GROUND.  
 30 PLACES FOR 2X2  
 54 PLACES FOR 2X4  
 66 PLACES FOR 2X5  
 78 PLACES FOR 2X6

REVISIONS				
SYM	ZONE	ECN, ERN NO.	DATE	APPRD.
C		PIN # ADDED ON MATING AREA	2006/05/31	
D		UPDATED	NOV05/08	

THIS IS A CAD DRAWING. DO NOT MANUALLY REVISE.



DETAIL B (SCALE 5:1)  
(TYP FOR EACH PORT)

RECOMMENDED SFP HOST BOARD LAYOUT  
(ONE SIDE CAGE MOUNTING)

PART NUMBER	DIM D
P-U78-B2126-00XX1	1.122 [28.50]
P-U78-B4126-00XX1	2.244 [57.00]
P-U78-B5126-00XX1	2.805 [71.25]
P-U78-B6126-00XX1	3.366 [85.50]

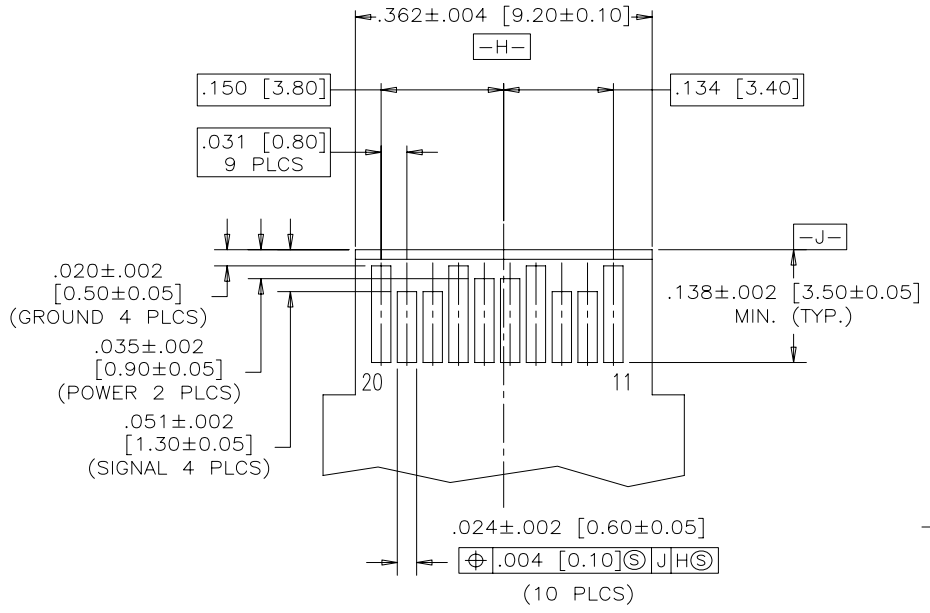
DRAWN	J.SI	DATE	2005/09/23
DESIGNED	J.SI	DATE	2005/09/23
CHECKED	X		
DWG. APPRD.			
ENG. REL. NO.			
REF.	X		
DIMENSIONS ARE IN	CODE ID. NO.		
INCHES [mm]	03554		

Amphenol Canada Corp.		
TITLE SFP 2XN STACKED COMBO WITH PRESS FIT PINS (CONNECTOR AND CAGE)		
DWG	DRAWING NO.	REV.
A	P-U78-BX126-00XX1	D
SCALE	WT.	SURF.
2:1		
		SHEET 4 OF 5

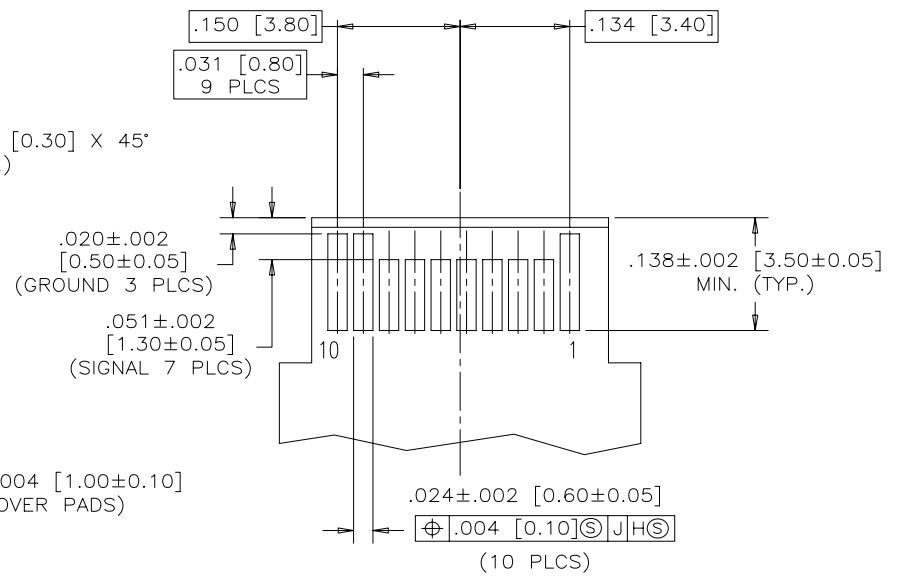
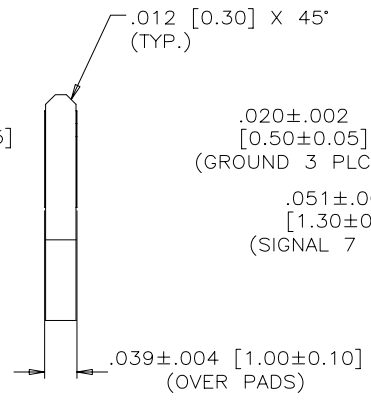
THIS DOCUMENT CONTAINS PROPRIETARY INFORMATION AND SUCH INFORMATION MAY NOT BE DISCLOSED TO OTHERS FOR ANY PURPOSE OR USED FOR MANUFACTURING PURPOSES WITHOUT WRITTEN PERMISSION FROM AMPHENOL CANADA CORP.

REVISIONS				
SYM	ZONE	ECN, ERN NO.	DATE	APPRD.
A		PROPOSAL	2005/09/23	
C		PIN # ADDED ON MATING AREA	2006/05/31	
D		UPDATED	NOV05/08	

THIS IS A CAD DRAWING. DO NOT MANUALLY REVISE.



TOP VIEW OF BOARD



BOTTOM VIEW OF BOARD

REFERENCED LAYOUT DETAIL FOR  
MATING SFP TRANSCEIVER PCB



THIS DOCUMENT CONTAINS PROPRIETARY INFORMATION AND SUCH INFORMATION MAY NOT BE DISCLOSED TO OTHERS FOR ANY PURPOSE OR USED FOR MANUFACTURING PURPOSES WITHOUT WRITTEN PERMISSION FROM AMPHENOL CANADA CORP.

DRAWN	J.SI	DATE	2005/09/23	Amphenol Canada Corp.	
DESIGNED	J.SI	DATE	2005/09/23		
CHECKED	X				
DWG. APPRD.					
ENG. REL. NO.		DWG	A	DRAWING NO.	P-U78-BX126-00XX1
REF.	X			REV.	D
DIMENSIONS ARE IN		CODE ID. NO.	03554	SCALE	2:1
INCHES [mm]				WT.	-----
				SURF.	-----
				SHEET	5 OF 5



Компания «ЭлектроПласт» предлагает заключение долгосрочных отношений при поставках импортных электронных компонентов на взаимовыгодных условиях!

Наши преимущества:

- Оперативные поставки широкого спектра электронных компонентов отечественного и импортного производства напрямую от производителей и с крупнейших мировых складов;
- Поставка более 17-ти миллионов наименований электронных компонентов;
- Поставка сложных, дефицитных, либо снятых с производства позиций;
- Оперативные сроки поставки под заказ (от 5 рабочих дней);
- Экспресс доставка в любую точку России;
- Техническая поддержка проекта, помощь в подборе аналогов, поставка прототипов;
- Система менеджмента качества сертифицирована по Международному стандарту ISO 9001;
- Лицензия ФСБ на осуществление работ с использованием сведений, составляющих государственную тайну;
- Поставка специализированных компонентов (Xilinx, Altera, Analog Devices, Intersil, Interpoint, Microsemi, Aeroflex, Peregrine, Syfer, Eurofarad, Texas Instrument, Miteq, Cobham, E2V, MA-COM, Hittite, Mini-Circuits, General Dynamics и др.);

Помимо этого, одним из направлений компании «ЭлектроПласт» является направление «Источники питания». Мы предлагаем Вам помощь Конструкторского отдела:

- Подбор оптимального решения, техническое обоснование при выборе компонента;
- Подбор аналогов;
- Консультации по применению компонента;
- Поставка образцов и прототипов;
- Техническая поддержка проекта;
- Защита от снятия компонента с производства.



#### Как с нами связаться

**Телефон:** 8 (812) 309 58 32 (многоканальный)

**Факс:** 8 (812) 320-02-42

**Электронная почта:** [org@eplast1.ru](mailto:org@eplast1.ru)

**Адрес:** 198099, г. Санкт-Петербург, ул. Калинина, дом 2, корпус 4, литера А.