



FCIconnect.com

Copyright FCI.

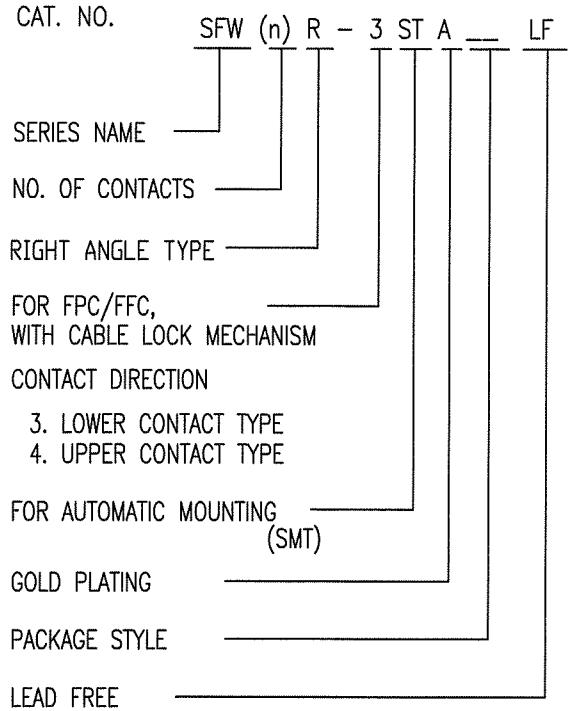
List of "SFW__R-3/4STAE1LF" customer document

| DOCUMENT NO. | LIST |
|--------------|--|
| SC-SFW16 | SPEC. |
| JSA96274 | CAT.NO.TABLE FOR 1mm CONTACT SPACING SMT CONNECTOR (SFW__R-3/4STA__LF) |
| JSA96275 | 1mm SPACING SMT CONNECTOR (SFW__R-3STA__LF) |
| JSA96276 | 1mm SPACING SMT CONNECTOR (SFW__R-4STA__LF) |
| JSA96277 | CAT.NO.TABLE FOR PLASTIC TAPE PACKAGED 1mm SPACING SMT CONNECTOR (SFW__R-3/4STAE1LF) |
| JSA96278 | PLASTIC TAPE PACKAGED 1mm SPACING SMT CONNECTOR (SFW__R-3STAE1LF) |
| JSA96279 | PLASTIC TAPE PACKAGED 1mm SPACING SMT CONNECTOR (SFW__R-4STAE1LF) |
| JSA96280 | RECOMMENDED CABLE (FPC) (SFW__R-3/4STA__) |
| GS-20-130 | HANDLING PROCEDURES |

| | | | | | | | | | | | |
|-------------|----------|----------------|------------|-----------|--|------------|--|---------------------------------------|--|---|--|
| mat'l. code | | surface | | tolerance | | projection | | product family | | CODE | |
| - | | ISO 1302 | | ISO 406 | | | | 58RF | | JP | |
| ltr | | ecn no | | dr | | date | | tolerances unless otherwise specified | | title | |
| A | J05-0024 | H.T | 1/20/05 | angles | | linear | | mm | | 1mm SPACING FPC CONNECTOR DOCUMENT LIST | |
| B | J06-0398 | H.T | 9/26/06 | | | | | | | (Cat. No. : SFW__R-3/4STAE1LF) | |
| C | J09-0363 | M.Y | 2009-10-8 | | | | | scale | | sheet 1 of 1 size | |
| D | J09-0380 | M.Y | 2009-10-27 | dr | | 2009-10-27 | | | | JSA 96334 A4 | |
| | | | | enrg | | 2009-10-27 | | | | | |
| | | | | chr | | 2009-10-27 | | | | | |
| | | | | appd | | 2009-10-27 | | | | | |
| sheet index | | revision sheet | | D | | 1 | | type | | Product Customer Drawing | |
| | | | | | | | | | | Rev. D | |

CAT. NO. & DIMENSIONS

| NO. OF CONTACTS (n) | CAT. NO. | DIMENSIONS (NOTE2) | | | |
|---------------------|-------------------|--------------------|---------|---------|---------|
| | | A ± 0.2 | B ± 0.2 | C ± 0.2 | D ± 0.1 |
| 4 | SFW4R-3/4STA__LF | 9.8 | 8.6 | 3.0 | 3.92 |
| 5 | SFW5R-3/4STA__LF | 10.8 | 9.6 | 4.0 | 4.92 |
| 6 | SFW6R-3/4STA__LF | 11.8 | 10.6 | 5.0 | 5.92 |
| 7 | SFW7R-3/4STA__LF | 12.8 | 11.6 | 6.0 | 6.92 |
| 8 | SFW8R-3/4STA__LF | 13.8 | 12.6 | 7.0 | 7.92 |
| 9 | SFW9R-3/4STA__LF | 14.8 | 13.6 | 8.0 | 8.92 |
| 10 | SFW10R-3/4STA__LF | 15.8 | 14.6 | 9.0 | 9.92 |
| 11 | SFW11R-3/4STA__LF | 16.8 | 15.6 | 10.0 | 10.92 |
| 12 | SFW12R-3/4STA__LF | 17.8 | 16.6 | 11.0 | 11.92 |
| 13 | SFW13R-3/4STA__LF | 18.8 | 17.6 | 12.0 | 12.92 |
| 14 | SFW14R-3/4STA__LF | 19.8 | 18.6 | 13.0 | 13.92 |
| 15 | SFW15R-3/4STA__LF | 20.8 | 19.6 | 14.0 | 14.92 |
| 16 | SFW16R-3/4STA__LF | 21.8 | 20.6 | 15.0 | 15.92 |
| 17 | SFW17R-3/4STA__LF | 22.8 | 21.6 | 16.0 | 16.92 |
| 18 | SFW18R-3/4STA__LF | 23.8 | 22.6 | 17.0 | 17.92 |
| 19 | SFW19R-3/4STA__LF | 24.8 | 23.6 | 18.0 | 18.92 |
| 20 | SFW20R-3/4STA__LF | 25.8 | 24.6 | 19.0 | 19.92 |
| 21 | SFW21R-3/4STA__LF | 26.8 | 25.6 | 20.0 | 20.92 |
| 22 | SFW22R-3/4STA__LF | 27.8 | 26.6 | 21.0 | 21.92 |
| 23 | SFW23R-3/4STA__LF | 28.8 | 27.6 | 22.0 | 22.92 |
| 24 | SFW24R-3/4STA__LF | 29.8 | 28.6 | 23.0 | 23.92 |
| 25 | SFW25R-3/4STA__LF | 30.8 | 29.6 | 24.0 | 24.92 |
| 26 | SFW26R-3/4STA__LF | 31.8 | 30.6 | 25.0 | 25.92 |
| 27 | SFW27R-3/4STA__LF | 32.8 | 31.6 | 26.0 | 26.92 |
| 28 | SFW28R-3/4STA__LF | 33.8 | 32.6 | 27.0 | 27.92 |
| 29 | SFW29R-3/4STA__LF | 34.8 | 33.6 | 28.0 | 28.92 |
| 30 | SFW30R-3/4STA__LF | 35.8 | 34.6 | 29.0 | 29.92 |

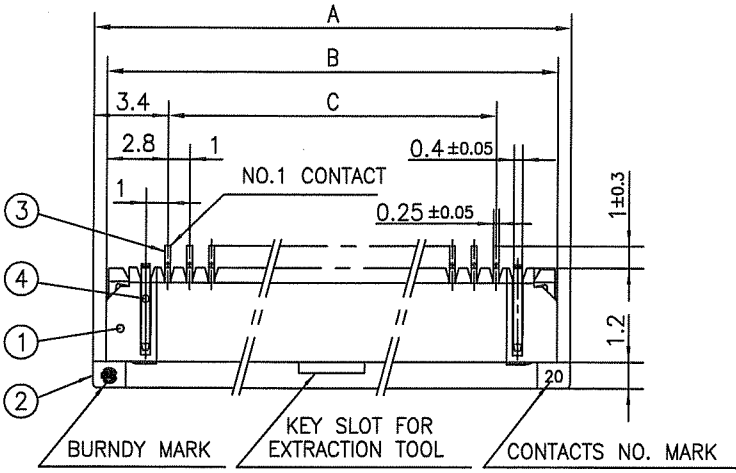


NOTES

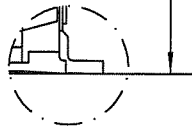
1. THIS PRODUCT IS THE CONNECTOR USED FOR FPC AND COPELS WITH AUTOMATIC MOUNTING (SMT).
2. SEE PART DRAWINGS FOR DIMENSIONS A~D.
3. THIS PRODUCT IS THE CONNECTOR WITH CABLE LOCK MECHANISM.

| | | | | | | | | | | | |
|-------------|--|-----------------------|--|------------------------------|--|------------|--|---------------------------------------|--|--|--|
| mat'l. code | | surface 58 / ISO 1302 | | tolerance ISO 406 / ISO 1101 | | projection | | product family 58RF | | CODE JP | |
| ltr | | ecn no | | dr | | date | | tolerances unless otherwise specified | | title | |
| A | | J05-0024 | | H.T | | 1/20/05 | | angles linear | | CAT NO. TABLE FOR 1mm SPACING SMT CONNECTOR (Cat. No. SFW__R-3/4STA__LF) | |
| B | | J06-0398 | | H.T | | 9/26/06 | | mm | | scale X | |
| C | | J09-0363 | | M.Y | | 2009-10-8 | | FCJ | | dwg no JSA 96274 sheet 1 of 1 size A4 | |
| sheet index | | revision C | | sheet 1 | | | | type Product Customer Drawing | | Rev. C | |

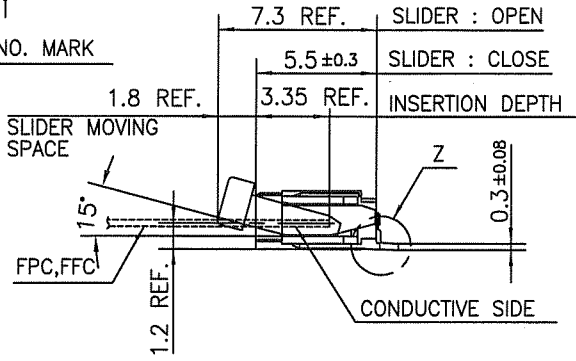
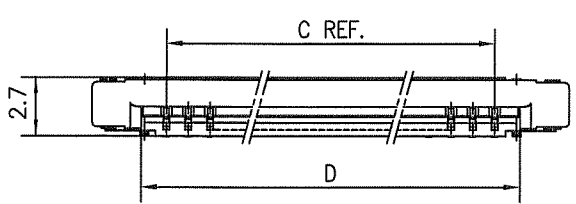
SC-SFW16 JSA96275 96276 96277 96280 form: A4



0.1 (NOTE2)



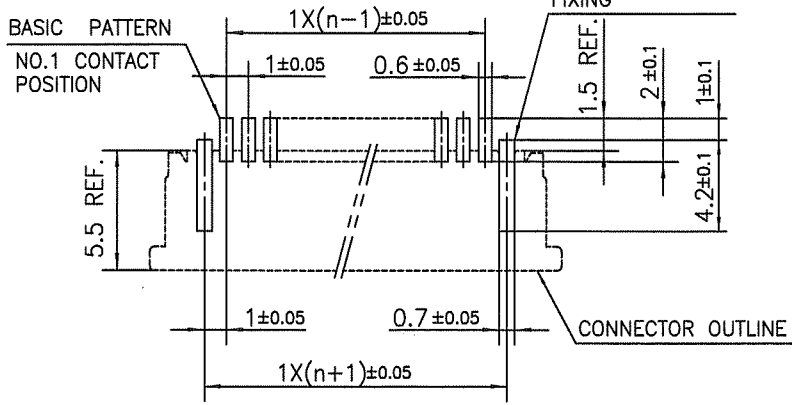
DETAIL Z



| PT. NO. | PARTS NAME | MATERIAL | Q'TY | NOTE |
|---------|----------------|--------------------------------------|------|--|
| 1 | HOUSING | PPS RESIN GLASS REINFORCED (UL94V-0) | 1 | COLOR:BLACK |
| 2 | SLIDER | PPS RESIN GLASS REINFORCED (UL94V-0) | 1 | COLOR:BROWN |
| 3 | CONTACT | PHOSPHOR BRONZE | n | CONTACT AREA : GOLD TARMINAL AREA : TIN |
| 4 | MOUNTING PLATE | | 2 | PLATING:TIN |

n : NO. OF CONTACTS

RECOMMENDED PC BOARD LAYOUT (COMPONENT SIDE)



NOTES

1. THIS PRODUCT IS THE CONNECTOR USED FOR FPC AND COPES WITH AUTOMATIC MOUNTING (SMT).
2. FLATNESS FOR CONTACT TERMINAL HOUSING MUST BE WITHIN TOLERANCE IN Z PORTION DETAILED DRAWING.
3. THIS PRODUCT IS LOWER CONTACT TYPE CONNECTOR WITH CABLE LOCK MECHANISM.
4. THIS PRODUCT MEETS EUROPEAN UNION DIRECTIVES AND OTHER COUNTRY REGULATIONS AS DESCRIBED IN GS-22-008.
5. THE HOUSING WILL WITHSTAND EXPOSURE TO 260°C PEAK TEMPERATURE FOR 10 SECONDS IN A REFLOW SOLDERING OVEN.

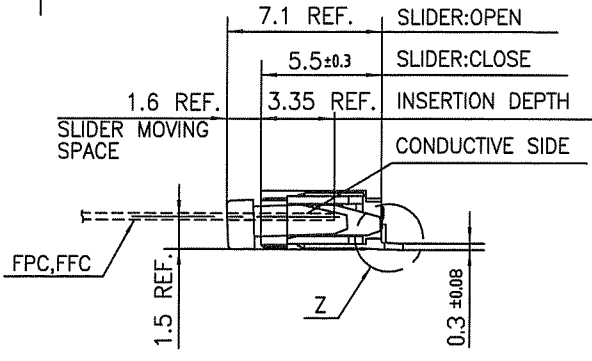
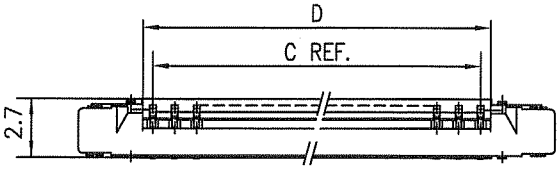
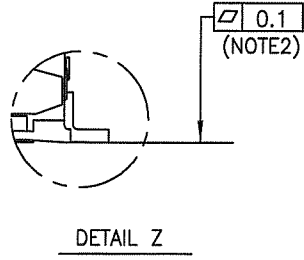
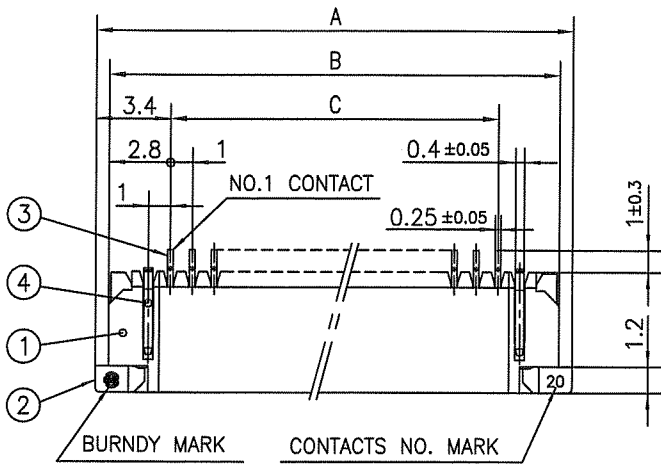
| | | | | | | | | | |
|--------------------------|--|--|--|------------|--|--|--|-------------------|--|
| mat'l. code | | surface 58 / tolerance ISO 1302 / ISO 406 / ISO 1101 | | projection | | product family 58RF | | CODE JP | |
| ltr ecn no dr date | | tolerances unless otherwise specified | | mm | | title | | | |
| A J05-0024 H.T 1/20/05 | | angles linear ±0.2 | | mm | | 1mm SPACING SMT CONNECTOR (Cat. No. SFW__R-3STA__LF) | | | |
| B J05-0736 H.T 10/28/05 | | | | scale X | | dwg no | | sheet 1 of 1 size | |
| C J06-0398 H.T 9/26/06 | | | | FCJ | | JSA 96275 | | A4 | |
| D J09-0363 M.Y 2009-10-8 | | dr H.SAMABRITA 2009-10-8 | | | | type Product Customer Drawing | | | |
| | | enr H.SAMABRITA 2009-10-8 | | | | | | | |
| | | chr S. M. 2009-10-8 | | | | | | | |
| | | appd S. Andrus 2009-10-8 | | | | | | | |
| sheet index | | revision sheet 1 | | | | | | Rev. D | |

SC-SFW16 JSA96274 Form: A4



FCJconnect.com

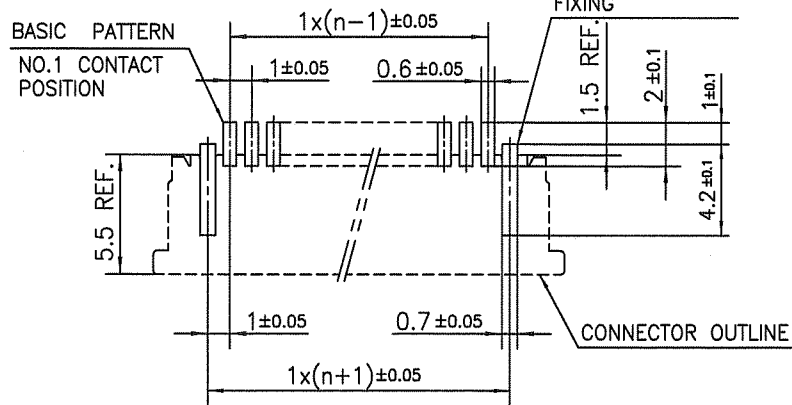
Copyright FCJ



| PT. NO. | PARTS NAME | MATERIAL | Q'TY | NOTE |
|---------|----------------|--------------------------------------|------|---|
| 1 | HOUSING | PPS RESIN GLASS REINFORCED (UL94V-0) | 1 | COLOR:BLACK |
| 2 | SLIDER | PPS RESIN GLASS REINFORCED (UL94V-0) | 1 | COLOR:BROWN |
| 3 | CONTACT | PHOSPHOR BRONZE | n | CONTACT AREA : GOLD TARMINAL AREA : TIN |
| 4 | MOUNTING PLATE | | 2 | PLATING:TIN |

n : NO. OF CONTACTS

RECOMMENDED PC BOARD LAYOUT (COMPONENT SIDE)



NOTES

1. THIS PRODUCT IS THE CONNECTOR USED FOR FPC AND COPES WITH AUTOMATIC MOUNTING (SMT).
2. FLATNESS FOR CONTACT TERMINAL HOUSING MUST BE WITHIN TOLERANCE IN Z PORTION DETAILED DRAWING.
3. THIS PRODUCT IS UPPER CONTACT TYPE CONNECTOR WITH CABLE LOCK MECHANISM.
4. THIS PRODUCT MEETS EUROPEAN UNION DIRECTIVES AND OTHER COUNTRY REGULATIONS AS DESCRIBED IN GS-22-008.
5. THE HOUSING WILL WITHSTAND EXPOSURE TO 260°C PEAK TEMPERATURE FOR 10 SECONDS IN A REFLOW SOLDERING OVEN.

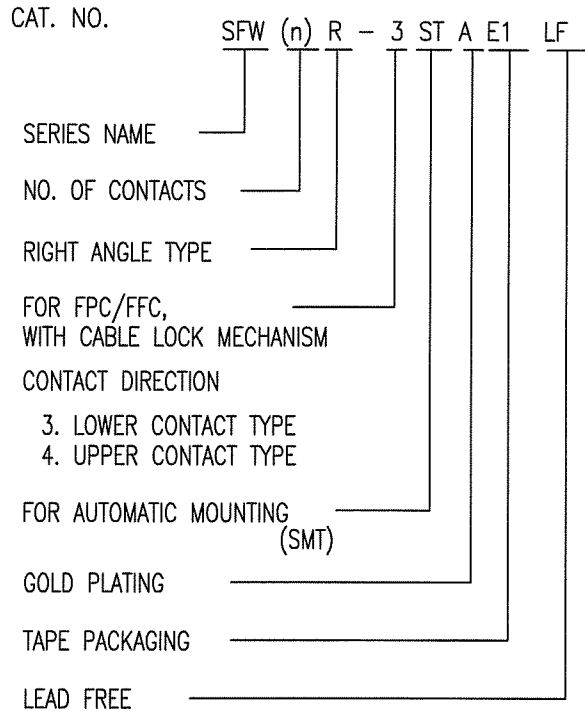
| | | | | | | | | | | | |
|--------------------------|--|------------|--|--|--|------------|--|--|--|---------|--|
| mat'l. code | | | | surface 58 / tolerance ISO 1302 / ISO 406 / ISO 1101 | | projection | | product family 58RF | | CODE JP | |
| ltr ecn no dr date | | | | tolerances unless otherwise specified | | mm | | title | | | |
| A J05-0024 H.T 1/20/05 | | | | angles linear ± 0.2 | | mm | | 1mm SPACING SMT CONNECTOR (Cat. No. SFW__R-4STA__LF) | | | |
| B J05-0736 H.T 10/28/05 | | | | | | scale X | | dwg no sheet 1 of 1 size | | | |
| C J06-0398 H.T 9/26/06 | | | | | | FCJ | | JSA 96276 A4 | | | |
| D J09-0363 M.Y 2009-10-8 | | | | dr H.YAMASHITA 2009-10-8 | | | | type Product Customer Drawing | | | |
| | | | | enr M.YAMASHITA 2009-10-8 | | | | Rev. D | | | |
| | | | | chr S. Nishitani 2009-10-8 | | | | | | | |
| | | | | appd S. Ando 2009-10-8 | | | | | | | |
| sheet index | | revision D | | | | | | | | | |
| | | sheet 1 | | | | | | | | | |



Copyright FCJ

CAT. NO. & DIMENSIONS

| NO. OF CONTACTS (n) | CAT. NO. (NOTE2) | DIMENSIONS (NOTE3) | | |
|---------------------|-------------------|--------------------|---------|---------|
| | | E ± 5 | F ± 0.3 | G ± 0.1 |
| 4 | SFW4R-3/4STAE1LF | 20.4 | 16 | — |
| 5 | SFW5R-3/4STAE1LF | 28.4 | 24 | — |
| 6 | SFW6R-3/4STAE1LF | 28.4 | 24 | — |
| 7 | SFW7R-3/4STAE1LF | 28.4 | 24 | — |
| 8 | SFW8R-3/4STAE1LF | 28.4 | 24 | — |
| 9 | SFW9R-3/4STAE1LF | 28.4 | 24 | — |
| 10 | SFW10R-3/4STAE1LF | 28.4 | 24 | — |
| 11 | SFW11R-3/4STAE1LF | 28.4 | 24 | — |
| 12 | SFW12R-3/4STAE1LF | 28.4 | 24 | — |
| 13 | SFW13R-3/4STAE1LF | 36.4 | 32 | 28.4 |
| 14 | SFW14R-3/4STAE1LF | 36.4 | 32 | 28.4 |
| 15 | SFW15R-3/4STAE1LF | 36.4 | 32 | 28.4 |
| 16 | SFW16R-3/4STAE1LF | 36.4 | 32 | 28.4 |
| 17 | SFW17R-3/4STAE1LF | 48.4 | 44 | 40.4 |
| 18 | SFW18R-3/4STAE1LF | 48.4 | 44 | 40.4 |
| 19 | SFW19R-3/4STAE1LF | 48.4 | 44 | 40.4 |
| 20 | SFW20R-3/4STAE1LF | 48.4 | 44 | 40.4 |
| 21 | SFW21R-3/4STAE1LF | 48.4 | 44 | 40.4 |
| 22 | SFW22R-3/4STAE1LF | 48.4 | 44 | 40.4 |
| 23 | SFW23R-3/4STAE1LF | 48.4 | 44 | 40.4 |
| 24 | SFW24R-3/4STAE1LF | 48.4 | 44 | 40.4 |
| 25 | SFW25R-3/4STAE1LF | 48.4 | 44 | 40.4 |
| 26 | SFW26R-3/4STAE1LF | 48.4 | 44 | 40.4 |
| 27 | SFW27R-3/4STAE1LF | 48.4 | 44 | 40.4 |
| 28 | SFW28R-3/4STAE1LF | 60.4 | 56 | 52.4 |
| 29 | SFW29R-3/4STAE1LF | 60.4 | 56 | 52.4 |
| 30 | SFW30R-3/4STAE1LF | 60.4 | 56 | 52.4 |

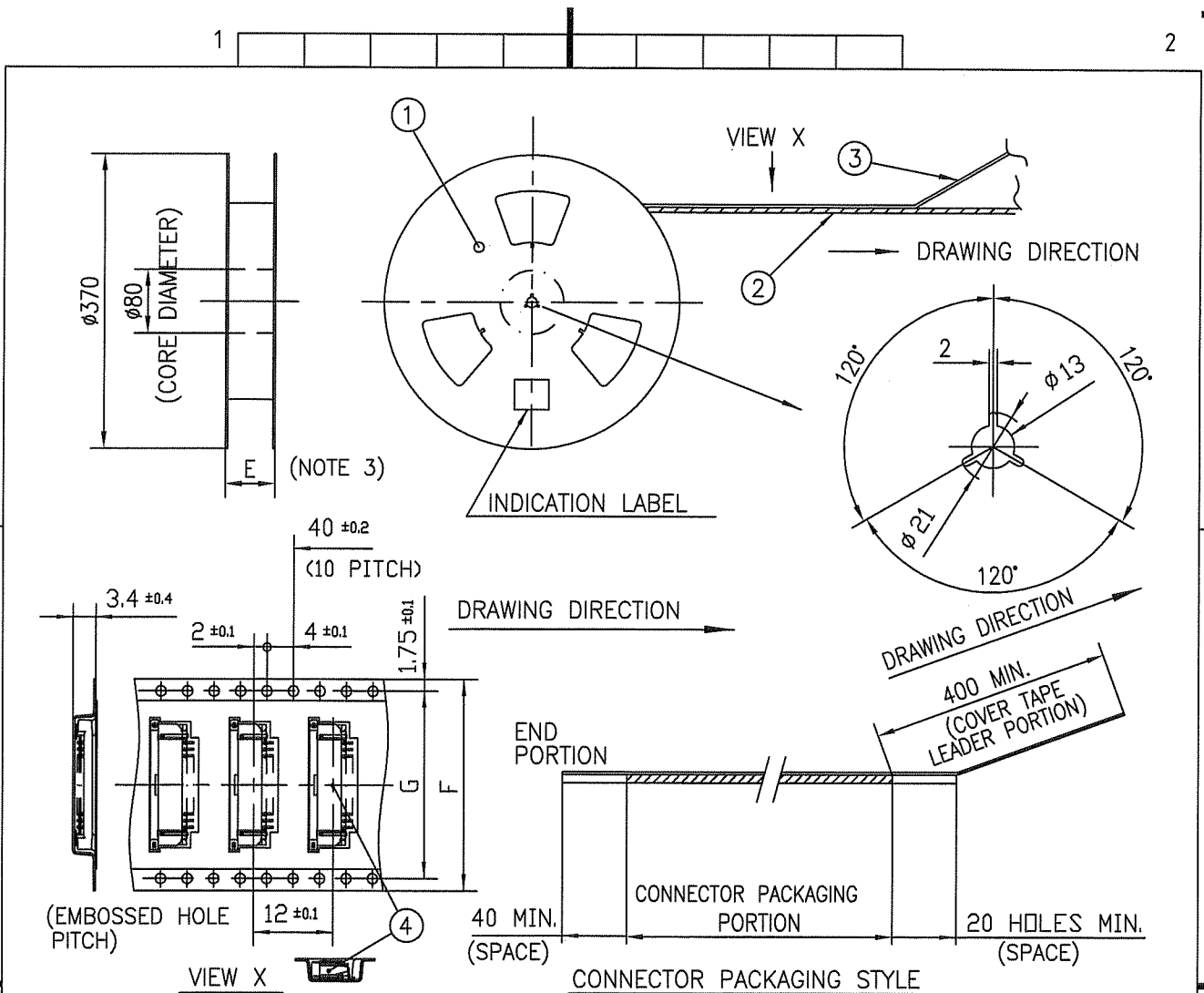


NOTES

1. THIS PRODUCT IS THE CONNECTOR USED FOR FPC AND COPELS WITH AUTOMATIC MOUNTING (SMT).
2. THIS CATALOG NO. INDICATES PLASTIC TAPE PACKAGED CONNECTOR.
3. SEE PART DRAWINGS FOR DIMENSIONS E~G.
4. THIS PRODUCT IS THE CONNECTOR WITH CABLE LOCK MECHANISM.

| | | | | | | | | | | | |
|-------------|----------|------------|-----------|--|--|------------|--|--|--|-------------------|--|
| mat'l. code | | | | surface 58 / tolerance ISO 1302 / ISO 406 / ISO 1101 | | projection | | product family 58RF | | CODE JP | |
| ltr | ecn no | dr | date | tolerances unless otherwise specified | | mm | | title | | | |
| A | J05-0024 | H.T | 1/20/05 | angles linear | | mm | | CAT NO. TABLE FOR PLASTIC TAPE PACKAGED 1mm SPACING SMT CONNECTOR (Cat. No. SFW__R-3/4STAE1LF) | | | |
| B | J06-0398 | H.T | 9/26/06 | | | scale X | | dwg no | | sheet 1 of 1 size | |
| C | J09-0363 | M.Y | 2009-10-8 | | | FCJ | | JSA 96277 | | A4 | |
| sheet index | | revision C | | dr H.YAHASHI 2007-10-8 | | | | type Product Customer Drawing | | Rev. C | |
| | | sheet 1 | | enrg H.YAHASHI 2007-10-8 | | | | | | | |
| | | | | chr P. Chudam 2007-10-8 | | | | | | | |
| | | | | appd P. Chudam 2007-10-8 | | | | | | | |

SC-SFW16 form: A4 JSA96274 96278 96279



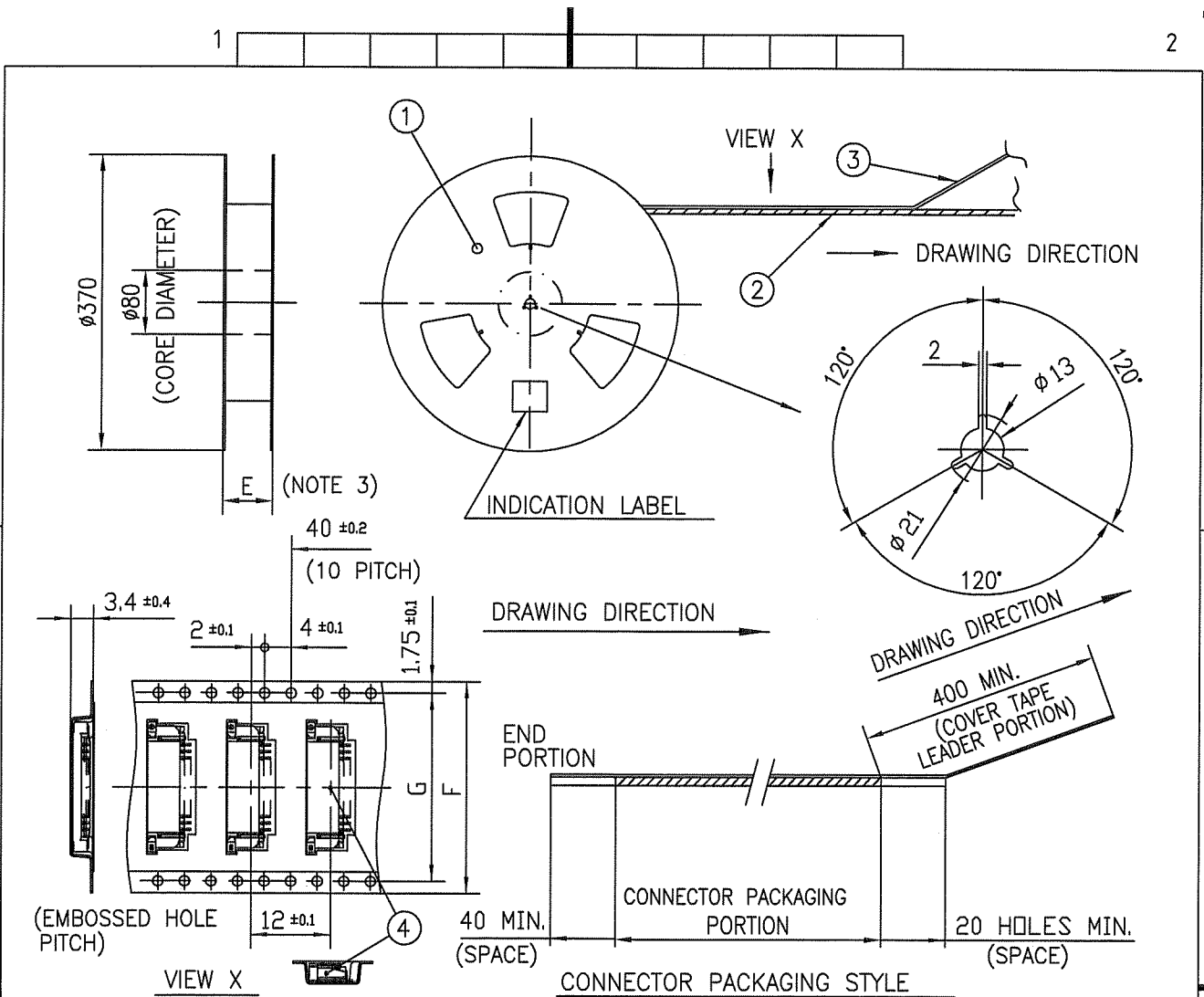
| PT. NO. | PARTS NAME | CAT. NO. | MATERIAL | Q'TY | NOTE |
|---------|-----------------------|---------------|-------------------|-------|--------------------|
| 1 | REEL | _____ | CARDBOARD | 1 | COLOR:WHITE |
| 2 | PLASTIC (EMBOSS) TAPE | _____ | PET | _____ | COLOR:TRANSPARENCY |
| 3 | COVER | _____ | POLYESTER | _____ | COLOR:TRANSPARENCY |
| 4 | CONNECTOR | SFW_R-3STA_LF | SEE ATTACHED DWG. | 2000 | LOWER CONTACT TYPE |

NOTES

1. THIS IS PLASTIC TAPE PACKAGED CONNECTOR WITH CABLE LOCK MECHANISM USED FOR FPC AND COPEs WITH AUTOMATIC MOUNTING (SMT).
2. SEE JIS C 0806 (PACKING OF ELECTRONIC COMPONENTS ON CONTINUOUS TAPES (SURFACE MOUNTING DEVICES)) FOR SHAPE AND DIMENSIONS OF PLASTIC (EMBOSS) TAPE AND REEL.
3. E DIMENSION IS PORTION OF THE CORE.

| | | | | | | | | | | | |
|-------------|----------|--|-----------|---|-------------|------------|--|---|-------------------------------|---------|--------|
| mat'l. code | | surface ISO 1302 <input checked="" type="checkbox"/> | | tolerance ISO 406 <input checked="" type="checkbox"/> | | projection | | product family 58RF | | CODE JP | |
| ltr | ecn no | dr | date | tolerances unless otherwise specified | | mm | | title PLASTIC TAPE PACKAGED 1mm SPACING SMT CONNECTOR (Cat. No. SFW__R-3STAE1LF) | | | |
| A | J05-0024 | H.T | 1/20/05 | angles | linear | ±5 | | dwg no sheet 1 of 1 size JSA 96278 A4 | | | |
| B | J06-0398 | H.T | 9/26/06 | ±5' | | scale X | | | | | |
| C | J09-0363 | M.Y | 2009-10-8 | dr | M.YAMASHITA | 2009-10-8 | | | type Product Customer Drawing | | |
| | | | | enr | M.YAMASHITA | 2009-10-8 | | | | | |
| | | | | chr | S. Okumura | 2009-10-8 | | | | | |
| | | | | appd | S. Okumura | 2009-10-8 | | | | | |
| sheet index | revision | C | | | | | | | | | Rev. C |

SC-SFW16 JSA96277 form: A4



| PT. NO. | PARTS NAME | CAT. NO. | MATERIAL | Q'TY | NOTE |
|---------|-----------------------|----------------|-------------------|------|--------------------|
| 1 | REEL | — | CARDBOARD | 1 | COLOR:WHITE |
| 2 | PLASTIC (EMBOSS) TAPE | — | PET | — | COLOR:TRANSPARENCY |
| 3 | COVER | — | POLYESTER | — | COLOR:TRANSPARENCY |
| 4 | CONNECTOR | SFW__R-4STA_LF | SEE ATTACHED DWG. | 2000 | UPPER CONTACT TYPE |

NOTES

- THIS IS PLASTIC TAPE PACKAGED CONNECTOR WITH CABLE LOCK MECHANISM USED FOR FPC AND COPEs WITH AUTOMATIC MOUNTING (SMT).
- SEE JIS C 0806 (PACKING OF ELECTRONIC COMPONENTS ON CONTINUOUS TAPES (SURFACE MOUNTING DEVICES)) FOR SHAPE AND DIMENSIONS OF PLASTIC (EMBOSS) TAPE AND REEL.
- E DIMENSION IS PORTION OF THE CORE.

| | | | | | | | | | | | |
|--------------------|----------|--|-----------|---|--|----------------------------|--|--|--|-------------------------|--|
| mat'l. code | | surface ISO 1302 <input checked="" type="checkbox"/> | | tolerance ISO 406 <input checked="" type="checkbox"/> | | projection | | product family 58RF | | CODE JP | |
| ltr ecn no dr date | | tolerances unless otherwise specified | | angles linear | | mm | | title PLASTIC TAPE PACKAGED 1mm SPACING SMT CONNECTOR (Cat. No. SFW__R-4STAE1LF) | | | |
| A | J05-0024 | H.T | 1/20/05 | ±5 | | mm | | dwg no sheet 1 of 1 size | | | |
| B | J06-0398 | H.T | 9/26/06 | ±5' | | mm | | JSA 96279 A4 | | | |
| C | J09-0363 | M.Y | 2009-10-8 | ±5' | | scale X | | type Product Customer Drawing | | | |
| sheet index | | revision C | | dr H.YAHASHITA 2009-10-8 | | engr H.YAHASHITA 2009-10-8 | | chr S. W. K. 2009-10-8 | | appd S. O. K. 2009-10-8 | |
| sheet 1 | | sheet 1 | | | | | | | | Rev. C | |

SC-SFW16 JSA96277 Form: A4

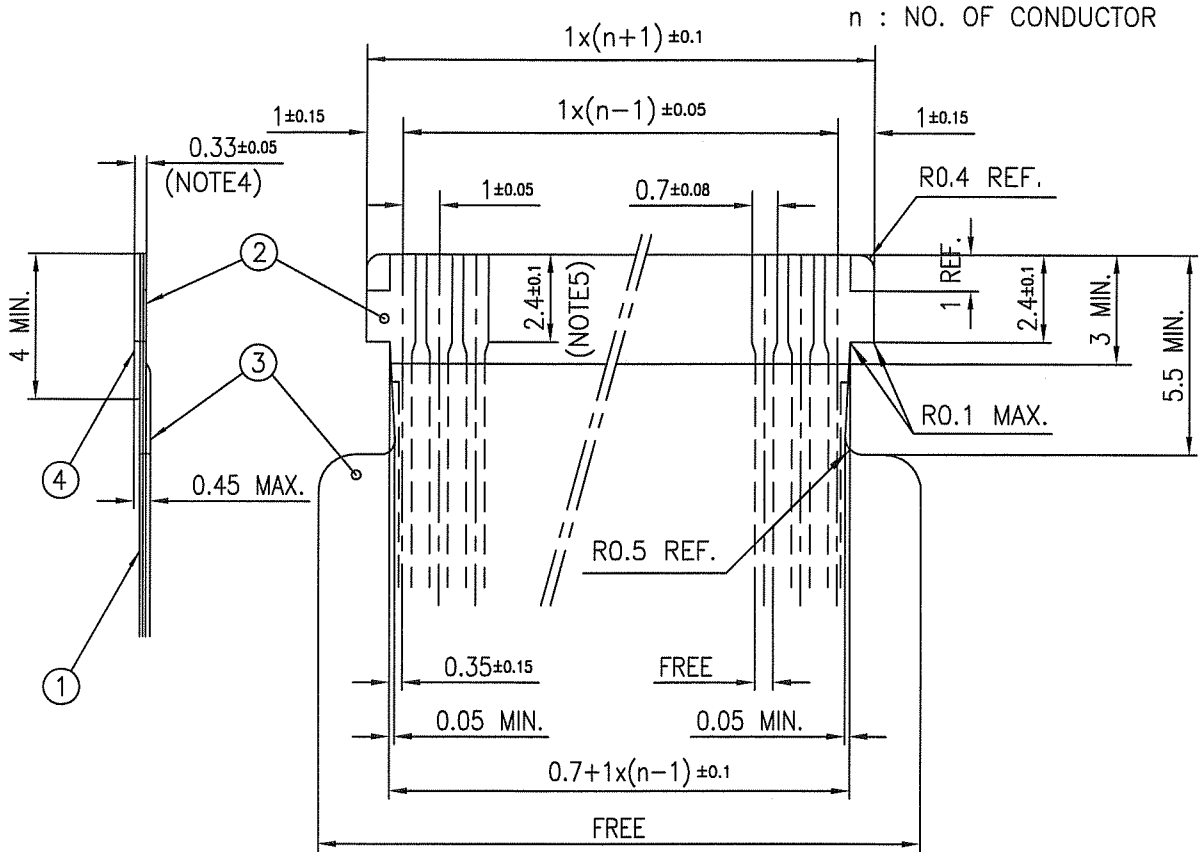


FCIconnect.com

Copyright FCI.



RECOMMENDED CABLE (FPC)



| PT. NO. | PARTS NAME | MATERIAL | THICKNESS (um) |
|---------|-----------------|---------------------------------|----------------|
| 1 | BASE FILM | POLYIMIDE OR POLYESTER OR EQUAL | 25 |
| 2 | CONDUCTOR | COPPER FOIL(PLATING : GOLD) | 35 |
| 3 | OVERLAY | POLYIMIDE OR POLYESTER OR EQUAL | — |
| 4 | SUPPORTING TAPE | POLYESTER OR POLYIMIDE OR EQUAL | 188 |

NOTES

1. THIS DRAWING INDICATES THE FPC USED THE CONNECTOR WITH CABLE LOCK MECHANISM.
2. NO BURR AT EACH PORTION.
3. NO PEELING IN COMMON USE.
4. TOTAL THICKNESS LIMIT OF EACH MATERIAL (INCLUDING ADHESIVE AGENT) IS SPECIFIED.
5. THIS DIMENSION INDICATES THE RANGE FOR 0.7 ±0.08 CONDUCTOR WIDTH.

| | | | | | | |
|-------------|----------------|--|------------------------|------------|--|---------|
| mat'l. code | | surface 58 / tolerance ISO 1302 ✓ / ISO 406 / ISO 1101 | | projection | product family 58RF | CODE JP |
| ltr | ecn no | dr | date | mm | title RECOMMENDED CABLE (Cat. No. SFW__R-3/4STA__) | |
| A | J05-0024 | H.T | 1/20/05 | | | |
| B | J06-0398 | H.T | 9/26/06 | | | |
| C | J09-0363 | M.Y | 2009-10-8 | scale X | dwg no sheet 1 of 1 size | |
| | | dr | M. YAMASHITA 2009-10-8 | | JSA 96280 A4 | |
| | | enr | M. YAMASHITA 2009-10-8 | | type Product Customer Drawing | |
| | | chr | S. Nakai 2009-10-8 | | | |
| | | appd | S. Nakai 2009-10-8 | | | |
| sheet index | revision sheet | C | 1 | | | Rev. C |



FCJconnect.com

Copyright FCJ.



Компания «ЭлектроПласт» предлагает заключение долгосрочных отношений при поставках импортных электронных компонентов на взаимовыгодных условиях!

Наши преимущества:

- Оперативные поставки широкого спектра электронных компонентов отечественного и импортного производства напрямую от производителей и с крупнейших мировых складов;
- Поставка более 17-ти миллионов наименований электронных компонентов;
- Поставка сложных, дефицитных, либо снятых с производства позиций;
- Оперативные сроки поставки под заказ (от 5 рабочих дней);
- Экспресс доставка в любую точку России;
- Техническая поддержка проекта, помощь в подборе аналогов, поставка прототипов;
- Система менеджмента качества сертифицирована по Международному стандарту ISO 9001;
- Лицензия ФСБ на осуществление работ с использованием сведений, составляющих государственную тайну;
- Поставка специализированных компонентов (Xilinx, Altera, Analog Devices, Intersil, Interpoint, Microsemi, Aeroflex, Peregrine, Syfer, Eurofarad, Texas Instrument, Miteq, Cobham, E2V, MA-COM, Hittite, Mini-Circuits, General Dynamics и др.);

Помимо этого, одним из направлений компании «ЭлектроПласт» является направление «Источники питания». Мы предлагаем Вам помощь Конструкторского отдела:

- Подбор оптимального решения, техническое обоснование при выборе компонента;
- Подбор аналогов;
- Консультации по применению компонента;
- Поставка образцов и прототипов;
- Техническая поддержка проекта;
- Защита от снятия компонента с производства.



Как с нами связаться

Телефон: 8 (812) 309 58 32 (многоканальный)

Факс: 8 (812) 320-02-42

Электронная почта: org@eplast1.ru

Адрес: 198099, г. Санкт-Петербург, ул. Калинина, дом 2, корпус 4, литера А.