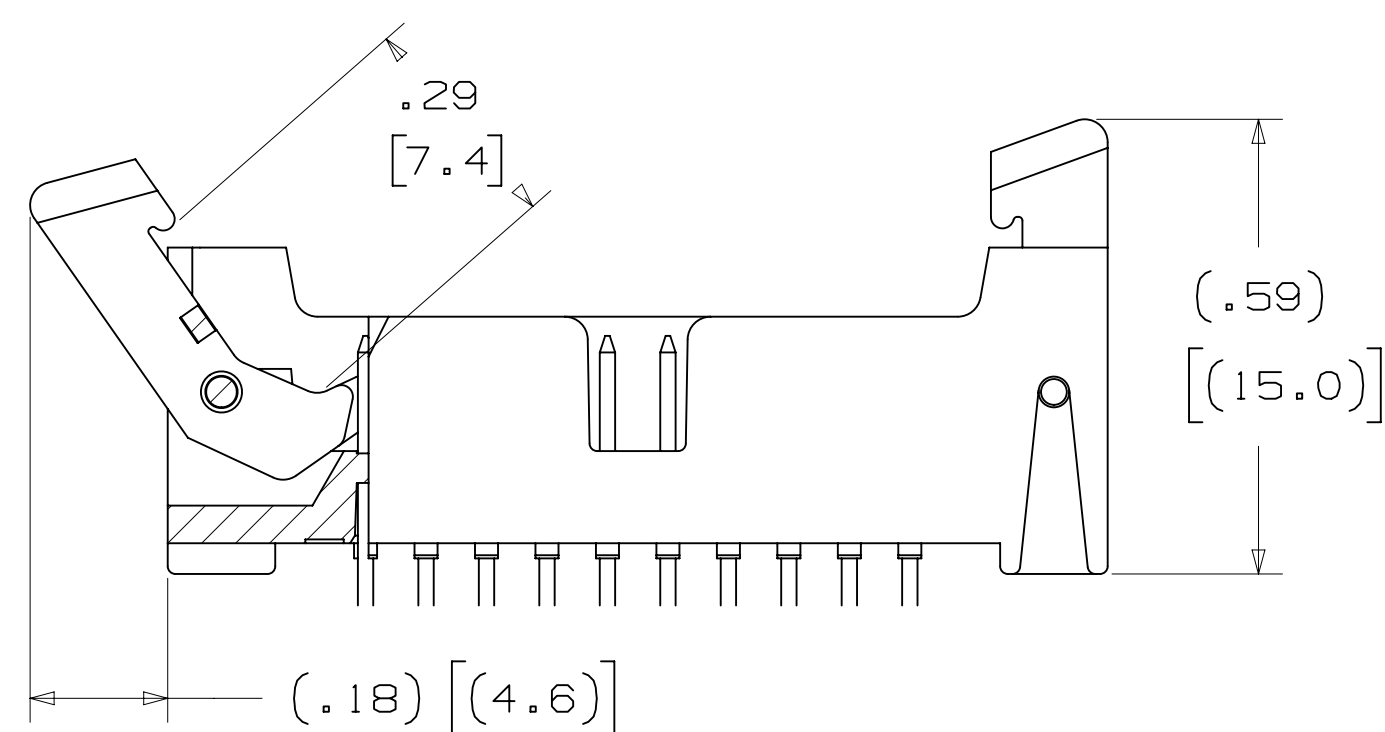


3M™ LATCH/EJECT HEADER, 1552 SERIES  
2MM X 2MM STRAIGHT & RIGHT ANGLE, THROUGH-HOLE, STRAIGHT & SURFACE MOUNT



5 1552XX-X20X  
LATCH MATING FOR  
MOLDED-ON SOCKET  
WITH LATCHING EAR



5 1552XX-X30X  
LATCH MATING FOR  
PRESS-ON SOCKET



5 1552XX-X40X  
LATCH MATING FOR  
2MM SCI CARRIER

3 ELECTRICAL PERFORMANCE:

CURRENT RATING: 4.75A, 1 LINE POWERED  
2.00A, 6 ADJACENT LINES POWERED  
1.25A, ALL LINES POWERED

RATING CONDITIONS: EIA-364-070 METHOD 2, 30°C MAXIMUM TEMPERATURE RISE, 20% DERATED. REFERENCE APPROPRIATE 3M PRODUCT SPECIFICATION FOR DETAILED CURRENT DERATING CURVES.

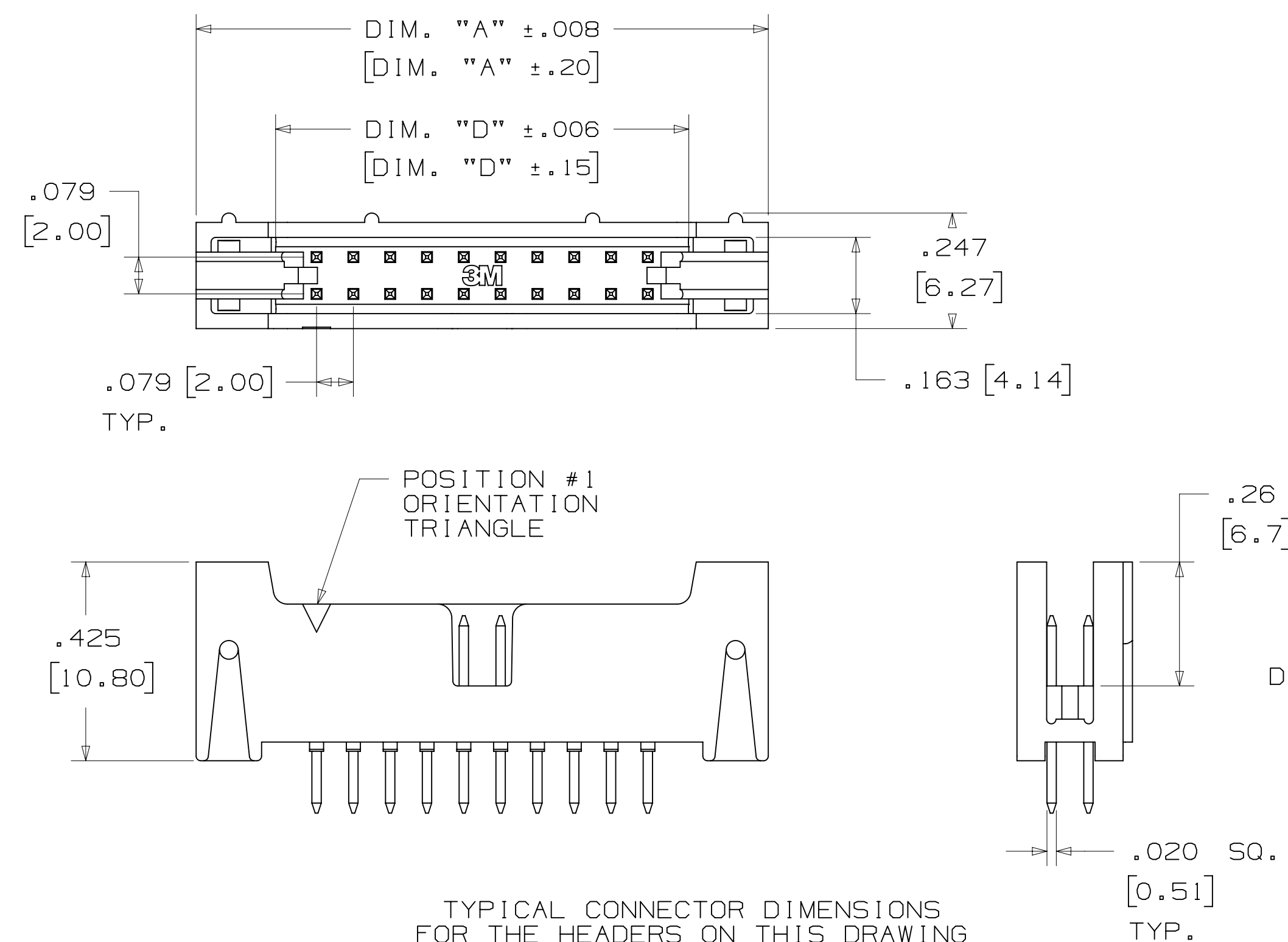
INSULATION RESISTANCE: > 1X10<sup>9</sup> OHMS AT 500 V<sub>DC</sub>  
WITHSTANDING VOLTAGE (1552XX): 1000 V<sub>RMS</sub> AT SEA LEVEL  
WITHSTANDING VOLTAGE (G1552XX): 750 V<sub>RMS</sub> AT SEA LEVEL

3 ENVIRONMENTAL:

TEMPERATURE RATING: -55°C TO +105°C  
PROCESS RATING: MAXIMUM 260°C (PER J-STD-020)  
MOISTURE SENSITIVITY LEVEL: 1 (PER J-STD-020)

- \* 14 PIN COUNTS RANGING FROM 06 TO 50 POSITIONS.
- \* LATCH/EJECT MECHANISM SECURELY LATCHES TO SOCKET.
- \* ROLL PINS RETAIN LATCHES TO BODY IN SHIPPING AND HIGH VIBRATION ENVIRONMENTS.
- \* EJECTOR HELPS MAKE UNMATING OF CABLE ASSEMBLIES EASIER.
- \* HIGH TEMPERATURE INSULATORS SUITABLE FOR LEAD FREE PROCESSING.
- \* ROBUST SYSTEM SOLUTION WHEN USED WITH 3M IDC WIREMOUNT SOCKETS OR 3M MOLDED CABLE ASSEMBLIES.
- \* SMT LATCH/EJECT HEADERS ARE AVAILABLE IN TAPE AND REEL WITH VACUUM CAP FOR AUTOMATIC PLACEMENT.

| CONTACT QTY. | DIM. "A"      | DIM. "B"      | DIM. "D"      | LATCH OPTION | TAPE WIDTH | ORDER CODE | CONTACT QTY. |
|--------------|---------------|---------------|---------------|--------------|------------|------------|--------------|
| 06           | .673 [17.09]  | .157 [4.00]   | .333 [8.45]   | 2, 4         | 44 MM      | WD         | 06           |
| 08           | .752 [19.10]  | .236 [6.00]   | .411 [10.44]  | 2, 4         | 44 MM      | WD         | 08           |
| 10           | .831 [21.10]  | .315 [8.00]   | .490 [12.45]  | 2, 3, 4      | 44 MM      | WD         | 10           |
| 12           | .910 [23.10]  | .394 [10.00]  | .569 [14.45]  | 3, 4         | 44 MM      | WD         | 12           |
| 16           | 1.067 [27.10] | .551 [14.00]  | .726 [18.44]  | 2, 4         | 56 MM      | WE         | 16           |
| 20           | 1.224 [31.09] | .709 [18.00]  | .884 [22.45]  | 2, 3, 4      | 56 MM      | WE         | 20           |
| 22           | 1.303 [33.10] | .787 [20.00]  | .963 [24.46]  | 2, 4         | 56 MM      | WE         | 22           |
| 24           | 1.382 [35.10] | .866 [22.00]  | 1.041 [26.44] | 2, 4         | 56 MM      | WE         | 24           |
| 26           | 1.461 [37.10] | .945 [24.00]  | 1.120 [28.45] | 2, 3, 4      | 72 MM      | WF         | 26           |
| 30           | 1.618 [41.10] | 1.102 [28.00] | 1.278 [32.46] | 2, 4         | 72 MM      | WF         | 30           |
| 34           | 1.774 [45.09] | 1.260 [32.00] | 1.435 [36.46] | 2, 4         | 72 MM      | WF         | 34           |
| 40           | 2.012 [51.10] | 1.496 [38.00] | 1.671 [42.44] | 2, 3, 4      | 72 MM      | WF         | 40           |
| 44           | 2.169 [55.09] | 1.654 [42.00] | 1.829 [46.46] | 2, 3, 4      | 88 MM      | WG         | 44           |
| 50           | 2.405 [61.09] | 1.980 [48.00] | 2.065 [54.45] | 2, 3, 4      | 88 MM      | WG         | 50           |



TYPICAL CONNECTOR DIMENSIONS FOR THE HEADERS ON THIS DRAWING (EXCEPT AS NOTED)

- NOTES
1. MATERIAL: PLASTIC: GLASS FILLED POLYESTER (LCP) UL94V-0, BLACK CONTACT: COPPER ALLOY.
  2. PLATING: 50μ NICKEL UNDERPLATING WIPE AREA: SEE ORDERING INFO. SOLDER TAIL: 200μ MATTE TIN.
  3. IN THE EVENT OF CONFLICT BETWEEN THIS DATA AND THAT CONTAINED IN THE PRODUCT SPECIFICATION, THE PRODUCT SPECIFICATION TAKES PRECEDENT.
  4. REGULATORY INFORMATION: VISIT 3M.com/regs OR CONTACT YOUR 3M REPRESENTATIVE TO FIND THE RoHS COMPLIANCE STATUS OF THE 3M PART YOU ARE INTERESTED IN.
  5. SEE TABLE 1 FOR LATCH AVAILABILITY.
  6. MATING COMPATIBILITY SERIES: 1522, 870, 2M AND 2MM SCI CARRIER (93XX).
  7. SURFACE MOUNT VERSION: ORDER CODE APPLIES TO THE TAPE AND REEL WIDTH.

3M ELECTRONICS MATERIALS SOLUTIONS DIVISION  
INTERCONNECT SOLUTIONS  
<http://www.3mconnectors.com>

3M IS A TRADEMARK OF 3M COMPANY.  
FOR TECHNICAL, SALES OR ORDERING  
INFORMATION CALL 800-225-5373

|                      |               |  |              |  |              |              |
|----------------------|---------------|--|--------------|--|--------------|--------------|
| DESIGN REFERENCE     | NEXT ASSEMBLY | REV  | ECO          | ISSUE DATE AND DESCRIPTION   | DRFT         | CHKD         |
|                      |               |  |              |  |              |              |
| DIVISION             | DIVISION CODE | DATE   | DATE         | DATE   | DATE         | DATE         |
|                      | EMSD          | JAN 21, 2015   | JAN 21, 2015 | JAN 21, 2015   | JAN 21, 2015 | JAN 21, 2015 |
| DO NOT SCALE DRAWING | SCALE 4/1     | TOLERANCES EXCEPT AS NOTED                           |              | INCHES   |              |              |
|                      |               |  |              | .00 ± .01  |              |              |
|                      |               |  |              | .000 ± .008  |              |              |
|                      |               |  |              | .0000 ±  |              |              |
|                      |               |  |              | MILLIMETERS  |              |              |
|                      |               |  |              | 0 ± .3   |              |              |
|                      |               |  |              | .00 ± .20  |              |              |
|                      |               |  |              | .000 ±   |              |              |
|                      |               |  |              | ANGLES   |              |              |
|                      |               |  |              | MARKED ONLY  |              |              |
| 3M                   |               | © 3M COPYR[IGHT] 2017                                |              | This document and the information it contains are 3M property and may not be reproduced or further distributed without 3M permission, or used or disclosed other than for 3M authorized purposes. All rights reserved. |              |              |
| TITLE                |               | LATCH/EJECT HEADER, 2MM, STRAIGHT, RIGHT ANGLE & SMT |              |  |              |              |
| CAGE NUMBER          | SIZE          | DRAWING NO.  | REV.         |  |              |              |
| D                    |               | 78-5100-2199-7                                       | L            |  |              |              |
| MODEL                | 1552          | DET  | 1515         | YES  | NO           | SHT 1 OF 4   |

78-5100-2199-7  
DRAWING NUMBER  
Imaged: L.6 Central Time 5/17/2017 UTC Offset

3M™ LATCH/EJECT HEADER, 1552 SERIES  
2MM X 2MM STRAIGHT & RIGHT ANGLE, THROUGH-HOLE, STRAIGHT & SURFACE MOUNT

STRAIGHT VERSION



ORDERING INFORMATION  
1552XX-6X0X-XX

CONTACT QUANTITY:  2  3  4

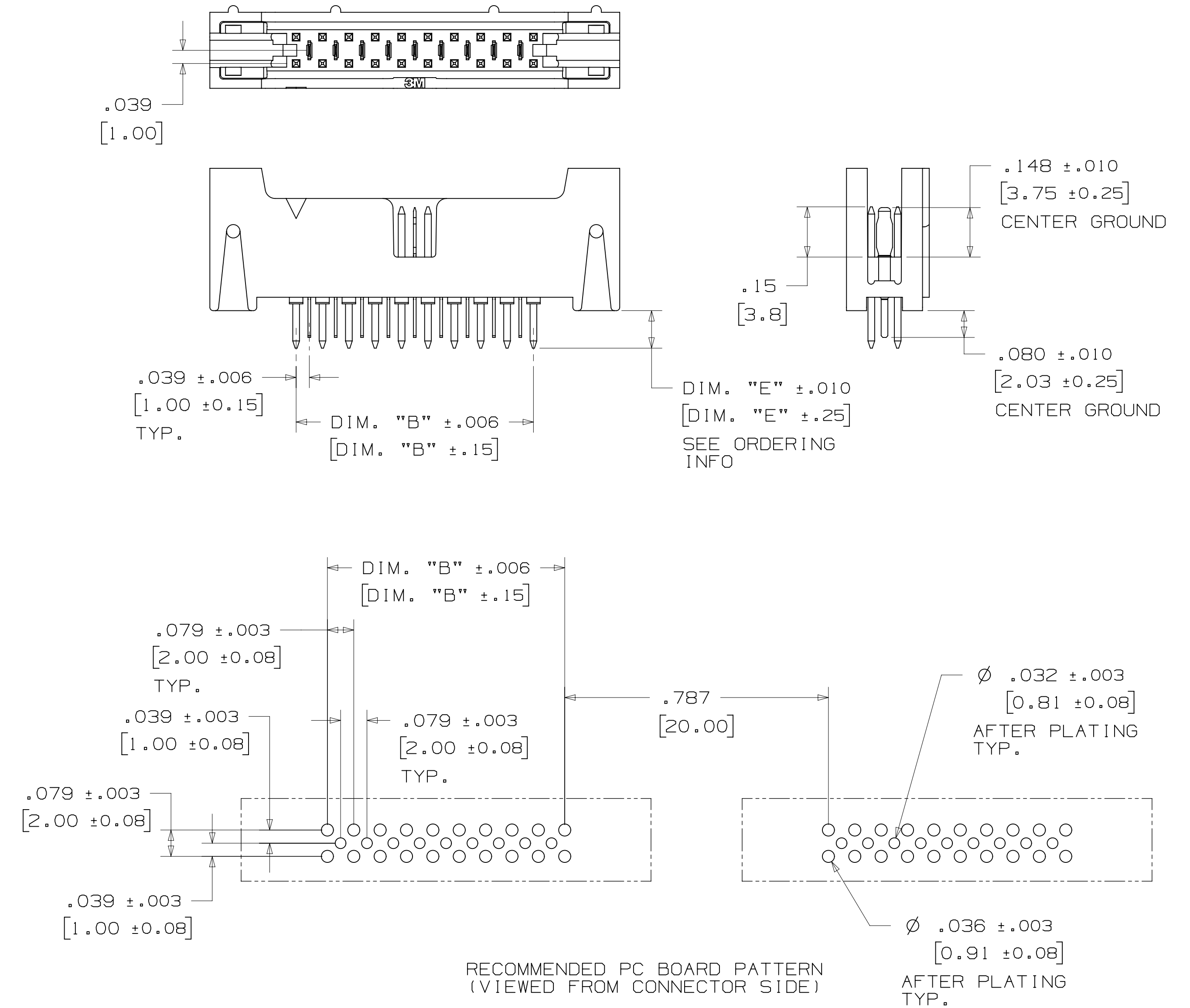
LATCHING OPTIONS:  
2 = LATCH, MOLDED-ON SOCKET WITH LATCHING EARS, SERIES: 870, 2MM  
3 = LATCH, PRESS-ON SOCKET, SERIES: 1522  
4 = LATCH, 2MM SCI CARRIER ONLY, SERIES: 93XX

PLATING OPTIONS:  
RB = 30µIN [.76µm] GOLD  
RA = 10µIN [.25µm] GOLD (RIA E1 & C1 APPLY) FOR BOTH PLATINGS

SOLDER TAIL LENGTH:  
DIMENSION "E"  
2 = .112 [2.84]  
3 = .155 [3.94]

RECOMMENDED PC BOARD PATTERN (VIEWED FROM CONNECTOR SIDE)

STRAIGHT VERSION WITH INTERSTITIAL GROUNDS



ORDERING INFORMATION  
G1552XX-6X0X-XX

CONTACT QUANTITY:  2  3  4

LATCHING OPTIONS:  
4 = LATCH, 2MM SCI CARRIER ONLY, SERIES 93XX

PLATING OPTIONS:  
RB = 30µIN [.76µm] GOLD  
RA = 10µIN [.25µm] GOLD (RIA E1 & C1 APPLY) FOR BOTH PLATINGS

SOLDER TAIL LENGTH:  
DIMENSION "E"  
2 = .112 [2.84]

RECOMMENDED PC BOARD PATTERN (VIEWED FROM CONNECTOR SIDE)

| DESIGN REFERENCE       | NEXT ASSEMBLY                   | REV   | ECO  | ISSUE DATE AND DESCRIPTION | DRFT | CHKD   |
|------------------------|---------------------------------|---|------|----------------------------|------|--|
|                        |                                 |   |      |                            |      |  |
| DATE                   | DATE                            | DATE  | DATE | DATE                       | DATE | DATE   |
| CHKD                   | DATE                            | APPV  | DATE | DATE                       | DATE | DATE   |
|                        |                                 |   |      |                            |      |  |
| DIVISION               | DIVISION CODE                   |   |      |                            |      |  |
| DO NOT SCALE DRAWING   | SCALE 4/1                       | TOLERANCES EXCEPT AS NOTED<br>INCHES<br>.00 ±.01<br>.000 ±.008<br>.0000 ±<br>MILLIMETERS<br>0 ±<br>.0 ±.3<br>.00 ±.20<br>.000 ± |      |                            |      |  |
| THIRD ANGLE PROJECTION | INTERPRET PER ASME Y14.5 - 2009 | TITLE<br>LATCH/EJECT HEADER, 2MM, STRAIGHT, RIGHT ANGLE & SMT   |      |                            |      |  |
| MAX SURFACE ROUGHNESS  | DT SURFACES                     | CAGE NUMBER   | SIZE | DRAWING NO.                | REV. |  |
| MARKED ONLY            | ANGLES                          | D   |      | 78-5100-2199-7             | L    |  |
|                        |                                 | MODEL   |      | 1552                       | DET  | ISTS <input type="checkbox"/> YES <input checked="" type="checkbox"/> NO <input type="checkbox"/> SHT 2 OF 4 |

78-5100-2199-7 DRAWING NUMBER  
Revision  
Standard Time5/17/2017UTC Offset

3M™ LATCH/EJECT HEADER, 1552 SERIES  
2MM X 2MM STRAIGHT & RIGHT ANGLE, THROUGH-HOLE, STRAIGHT & SURFACE MOUNT

RIGHT ANGLE VERSION



RECOMMENDED PC BOARD PATTERN  
(VIEWED FROM CONNECTOR SIDE)

ORDERING INFORMATION

1552XX-5X0X-XX

CONTACT QUANTITY: \_\_\_\_\_

LATCHING OPTIONS:  
2 = LATCH, MOLDED-ON SOCKET WITH LATCHING EARS, SERIES: 870, 2MM  
3 = LATCH, PRESS-ON SOCKET, SERIES: 1522  
4 = LATCH, 2MM SCI CARRIER ONLY, SERIES 93XX

PLATING OPTIONS:  
RB = 30µIN [.76µm] GOLD  
RA = 10µIN [.25µm] GOLD  
(RIA E1 & C1 APPLY) FOR BOTH PLATINGS

SOLDER TAIL LENGTH:  
DIMENSION "E"  
2 = .112 [2.84]  
3 = .155 [3.94]

SURFACE MOUNT VERSION

NOTES:

- 1) TAPE & REEL PARTS ALWAYS SUPPLIED WITH VACUUM PICK-UP CAP.
- 2) TAPE & REEL NOT AVAILABLE WITH SCI LATCH OPTION.
- 3) TRAY PARTS SUPPLIED WITHOUT VACUUM PICK-UP CAP.



RECOMMENDED PC BOARD PATTERN  
(VIEWED FROM CONNECTOR SIDE)

ORDERING INFORMATION

1552XX-2X00-XX-XX

CONTACT QUANTITY: \_\_\_\_\_

LATCHING OPTIONS:  
2 = LATCH, MOLDED-ON SOCKET WITH LATCHING EARS, SERIES: 870, 2MM  
3 = LATCH, PRESS-ON SOCKET, SERIES: 1522  
4 = LATCH, 2MM SCI CARRIER ONLY, SERIES 93XX

PACKAGING:  
BLANK = TRAYS  
WX = TAPE & REEL  
(SEE TABLE 1 ORDER CODE)

PLATING OPTIONS:  
RB = 30µIN [.76µm] GOLD  
RA = 10µIN [.25µm] GOLD  
(RIA E1 & C1 APPLY) FOR BOTH PLATINGS

| DESIGN REFERENCE                | NEXT ASSEMBLY | REV   | ECO   | ISSUE DATE AND DESCRIPTION | DRFT | CHKD |
|---------------------------------|---------------|---|---|----------------------------|------|------|
|                                 |               |   |   |                            |      |      |
| DATE                            | DATE          | DATE  | DATE  | DATE                       | DATE | DATE |
| CHKD                            | APPV          | DATE  | DATE  | DATE                       | DATE | DATE |
|                                 |               |   |   |                            |      |      |
| DIVISION                        | DIVISION CODE | © 3M COPYRIGHT 2017<br>This document and the information it contains are 3M property and may not be reproduced or further distributed without 3M permission, or used or disclosed other than for 3M authorized purposes. All rights reserved. |   |                            |      |      |
| DO NOT SCALE DRAWING            | SCALE 4/1     | TOLERANCES EXCEPT AS NOTED  | <b>3M</b> Center St. Paul, MN 55144   |                            |      |      |
| THIRD ANGLE PROJECTION          | INCHES        | 0 ± .01   | TITLE<br>LATCH/EJECT HEADER, 2MM, STRAIGHT, RIGHT ANGLE & SMT                       |                            |      |      |
| INTERPRET PER ASME Y14.5 - 2009 | MILLIMETERS   | 0 ± .3  | CAGE NUMBER<br>D78-5100-2199-7 L  |                            |      |      |
| MAX SURFACE ROUGHNESS           | INCHES        | 0 ± .20   | MODEL<br>1552   |                            |      |      |
| MARKED ONLY                     | ANGLES        |   | DET. <input type="checkbox"/> YES <input checked="" type="checkbox"/> NO SHT 3 OF 4 |                            |      |      |

Imaged: L.6 Central Standard Time 5/17/2017 UTC OffSet

3M™ LATCH/EJECT HEADER, 1552 SERIES  
 2MM X 2MM STRAIGHT & RIGHT ANGLE, THROUGH-HOLE, STRAIGHT & SURFACE MOUNT

**Technical Information:** The technical information, recommendations and other statements contained in this document are based upon tests or experience that 3M believes are reliable, but the accuracy or completeness of such information is not guaranteed.

**Product Use:** Many factors beyond 3M's control and uniquely within user's knowledge and control can affect the use and performance of a 3M product in a particular application. Given the variety of factors that can affect the use and performance of a 3M product, user is solely responsible for evaluating the 3M product and determining whether it is fit for a particular purpose and suitable for user's method of application.

**Warranty, Limited Remedy, and Disclaimer:** Unless an additional warranty is specifically stated on the applicable 3M product packaging or product literature, 3M warrants that each 3M product meets the applicable 3M product specification at the time 3M ships the product. 3M MAKES NO OTHER WARRANTIES OR CONDITIONS, EXPRESS OR IMPLIED, INCLUDING, BUT NOT LIMITED TO, ANY IMPLIED WARRANTY OR CONDITION OF MERCHANTABILITY OR FITNESS FOR A PARTICULAR PURPOSE OR ANY IMPLIED WARRANTY OR CONDITION ARISING OUT OF A COURSE OF DEALING, CUSTOM OR USAGE OF TRADE. If the 3M product does not conform to this warranty, then the sole and exclusive remedy is, at 3M's option, replacement of the 3M product or refund of the purchase price.

**Limitation of Liability:** Except where prohibited by law, 3M will not be liable for any loss or damage arising from the 3M product, whether direct, indirect, special, incidental or consequential, regardless of the legal theory asserted, including warranty, contract, negligence or strict liability.

Unless otherwise noted, references to industry specifications are intended to indicate substantial compliance to the material elements of the specification. Such references should not be construed as a guarantee of compliance to all requirements in a given specification.

|                                 |                            |                    |      |  |      |      |
|---------------------------------|----------------------------|--------------------|------|--|------|------|
| DESIGN REFERENCE                | NEXT ASSEMBLY              | REV                | ECO  | ISSUE DATE AND DESCRIPTION   | DRFT | CHKD |
|                                 |                            |                    |      |  |      |      |
| APPROVED                        | DATE                       | DATE               | DATE | DATE   | DATE | DATE |
| CHKD                            | DATE                       | DATE               | DATE | DATE   | DATE | DATE |
|                                 |                            |                    |      |  |      |      |
| DIVISION                        | DIVISION CODE              | 3M Center          |      | © 3M COPYRIGHT 2017  |      |      |
| DO NOT SCALE DRAWING            | SCALE 1/1                  | St. Paul, MN 55144 |      | This document and the information it contains are 3M property and may not be reproduced or further distributed without 3M permission, or used or disclosed other than for 3M authorized purposes. All rights reserved. |      |      |
| THIRD ANGLE PROJECTION          | TOLERANCES EXCEPT AS NOTED | 3M                 |      | LATCH/EJECT HEADER, 2MM, STRAIGHT, RIGHT ANGLE & SMT   |      |      |
| INTERPRET PER ASME Y14.5 - 2009 | INCHES                     | TITILE             |      | CAGE NUMBER  |      |      |
| MAX SURFACE ROUGHNESS           | MILLIMETERS                | DRAWING NO.        |      | REV.   |      |      |
| MARKED ONLY                     | 0 ±                        | D 78-5100-2199-7   |      | L  |      |      |
|                                 | .00 ± .01                  | MODEL              |      | 1552   |      |      |
|                                 | .000 ± .008                | 1552               |      | DET. YES X NO SHT 4 OF 4   |      |      |
|                                 | .0000 ±                    |                    |      |  |      |      |

78-5100-2199-7  
 DRAWING NUMBER  
 1552  
 Standard Time5/17/2017UTC OffSet



Компания «ЭлектроПласт» предлагает заключение долгосрочных отношений при поставках импортных электронных компонентов на взаимовыгодных условиях!

Наши преимущества:

- Оперативные поставки широкого спектра электронных компонентов отечественного и импортного производства напрямую от производителей и с крупнейших мировых складов;
- Поставка более 17-ти миллионов наименований электронных компонентов;
- Поставка сложных, дефицитных, либо снятых с производства позиций;
- Оперативные сроки поставки под заказ (от 5 рабочих дней);
- Экспресс доставка в любую точку России;
- Техническая поддержка проекта, помощь в подборе аналогов, поставка прототипов;
- Система менеджмента качества сертифицирована по Международному стандарту ISO 9001;
- Лицензия ФСБ на осуществление работ с использованием сведений, составляющих государственную тайну;
- Поставка специализированных компонентов (Xilinx, Altera, Analog Devices, Intersil, Interpoint, Microsemi, Aeroflex, Peregrine, Syfer, Eurofarad, Texas Instrument, Miteq, Cobham, E2V, MA-COM, Hittite, Mini-Circuits, General Dynamics и др.);

Помимо этого, одним из направлений компании «ЭлектроПласт» является направление «Источники питания». Мы предлагаем Вам помощь Конструкторского отдела:

- Подбор оптимального решения, техническое обоснование при выборе компонента;
- Подбор аналогов;
- Консультации по применению компонента;
- Поставка образцов и прототипов;
- Техническая поддержка проекта;
- Защита от снятия компонента с производства.



#### Как с нами связаться

**Телефон:** 8 (812) 309 58 32 (многоканальный)

**Факс:** 8 (812) 320-02-42

**Электронная почта:** [org@eplast1.ru](mailto:org@eplast1.ru)

**Адрес:** 198099, г. Санкт-Петербург, ул. Калинина, дом 2, корпус 4, литера А.