



MICRO SWITCH™
Hazardous Location Switches
EX Series



MICRO SWITCH™ EX Series

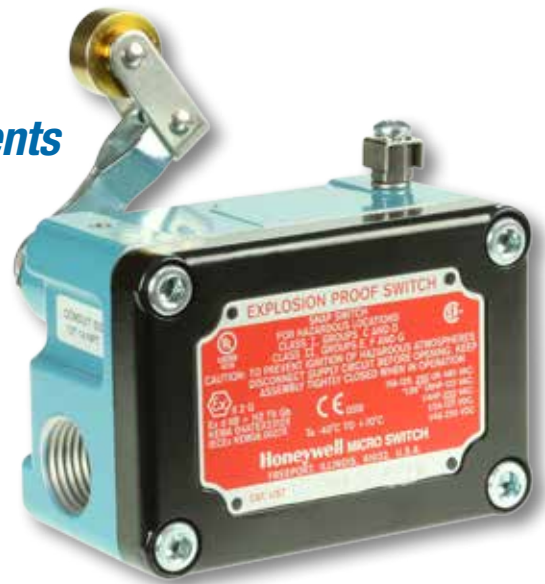
Hazardous Location Limit Switches

MICRO SWITCH™ EX Series switches feature the smallest UL-listed housings available for use in hazardous locations. The EX Series switch cavity is designed to cool expanding gases below the ignition temperature of the surrounding explosive atmosphere. The EX Series is capable of switching up to 20 amps while providing ample wiring space for ease of installation. Single and double conduit openings are available. Dual conduit openings may allow for through wiring of multiple switches. The EX Series can be mounted from any of the switch's four sides.

What makes our switches better?

- Honeywell has over 80 years of switch manufacturing experience covering most environment types
- Proven technology plus superior quality and service are offered world-wide. The EX Series holds multiple agency approvals, including CE, IEC Ex, UL, CSA, and ATEX directives
- Multiple actuator options make the EX Series a good choice for indoor explosion-proof applications
- Smallest UL-listed, power-load carrying switch available for use in hazardous locations

*Manufactured for harsh
and explosive environments*



FLEXIBILITY IN MOUNTING
RELIABILITY • ACTUATION VARIETY

Features and Benefits

COMPACT AND RUGGED HOUSING

Often used in applications where space is at a premium, MICRO SWITCH™ EX Series switches feature **ample wiring space that eases installation time**. The four-sided mounting with optional mounting bracket simplifies installation in most applications. The EX Series offers dual conduit openings on select models that allow for through wiring making it easier to wire multiple switches in a single circuit.

International approvals for use around the world

WIDE VARIETY OF PRODUCT OFFERINGS AND VARIATIONS

Broad range of actuator styles available in pin plunger and rotary configurations. Switching capacity from **1 A for low energy loads**, up to 20 A for most industrial electrical loads.

DESIGN FLEXIBILITY

Rotary actuators are field adjustable for quick set up and application adaptability. Roller lever actuators are adjustable through 360° of rotation. 1EX and 2EX listings have **dual conduit openings enabling “wire through”** or allowing the user to split the wiring of a double pole switch with one pole exiting each side.

Potential Applications



INDUSTRIAL PAINT BOOTHS

Position detecting in automated paint booths used by indoor industrial painting companies

Automotive paint booth door position detection assures the door is closed before paint can be applied

PETROLEUM AND CHEMICAL PLANTS

Valve position in indoor potentially explosive environments in petroleum refineries and chemical plants



PROCESSING FACILITIES

Position sensing **indoors** at grain handling and processing plants, pulp and paper processing, lumber and other types of facilities where dust and other fine particles in the atmosphere may create the potential for explosions

EX Series

Table 1. Specifications

| Characteristic | Parameter |
|------------------------------------|---|
| Product type | MICRO SWITCH™ hazardous location limit switches |
| Actuators | overtravel top plunger side roller lever one-way roller lever adjustable roller lever rod lever manually activated paddle adjustable rod lever with one-inch nylon roller |
| Circuitry | SPDT, DPDT |
| Electrical | 1 A, 3 A, 5 A, 10 A, 15 A, and 20 A |
| Housing material | Aluminum die-cast |
| Termination types | 1/2-14 NPT conduit, preleaded |
| Sealing | NEMA 1, 7, and 9, UL listed, and CSA certified: Class I, Div.1 & 2, Groups B* , C, and D [*Group B - only as noted in order guide] Class II, Div.1 & 2, Groups E, F, and G |
| Operating temperature ¹ | -40 °C to 71 °C [-40 °F to 160 °F] *High temp models available up to 204 °C [400 °F] (refer to order guide on pages 6 and 7) |
| Agency approvals and standards | IEC Ex, ATEX (CE), UL, CSA |
| UL listed | #E14274 |
| CSA certified | #LR57324 |
| ATEX directive ² | KEMA 04ATEX2312X |
| IEC Ex certified | KEM 08.0012X |
| UNSPSC code | 302119 |
| UNSPSC commodity | 302119 Switches and controls and relays |

¹ Refer to order guide

² Most models, refer to individual specifications for selected catalog listings

Table 2. Agency Approvals and Standards

| | UL, CE/ATEX, CSA, IEC Ex, INMETRO | Standards & Designations |
|---------------------|-----------------------------------|---|
| UL listed | #E14274 | UL 1203 |
| CSA certified | #LR57324 | C22.2 No. 25 and No. 30 |
| ATEX directive * | KEMA 04ATEX2312X | II 2 G Ex d IIB + H2 T6 Gb (EX) II 2 G Ex d IIB + H2 T2 Gb (EXHT) EN60079-0 and EN60079-1 |
| IEC Ex certified * | KEM 08.0027X | II 2 G Ex d IIB + H2 T6 Gb (EX) II 2 G Ex d IIB + H2 T2 Gb (EXHT) IEC60079-0 and IEC60079-1 |
| INMETRO certified * | In process | IEC60079-0 and IEC60079-1 |

*Most models, refer to individual specifications for selected catalog listings

MICRO SWITCH™ Hazardous Location Limit Switches

Table 3. Circuitry and Electrical Ratings

| Rating code | Circuitry | Electrical rating |
|-------------|-----------|--|
| A | SPDT | UL/CSA Rating: 15 A, 125, 250, or 480 Vac 1/8 HP, 125 Vac; 1/4 HP, 250 Vac 0.5 A, 125 Vdc; 0.25 A 250 Vdc |
| B | SPDT | UL/CSA Rating: 20 A, 125, 250, or 480 Vac 10 A, 125 Vac “L” 1 HP, 125 Vac; 2 HP, 250 Vac 0.5 A, 125 Vdc; 0.25 A, 250 Vdc |
| C | DPDT | UL/CSA Rating: 10 A, 125 or 250 Vac 0.3 A, 125 Vac; 0.15 A 250 Vdc |
| D | SPDT | UL/CSA Rating: 10 A, 125, 250, or 480 Vac 0.5 A, 125 Vdc; 0.25 A 250 Vdc |
| E | SPDT | UL Rating: 1 A, 125 Vac |
| F | SPDT | UL/CSA Rating: 3 A, 125 or 250 Vac 1/10 HP, 125 Vac; 1/6 HP, 250 Vac |
| G | SPDT | UL/CSA Rating: 5 A, 125, 250, or 480 Vac; 0.50 A, 125 Vdc; 0.25 A, 250 Vac |




Table 4. Hazardous Location Classifications

| Rating code | Classification |
|-------------|--|
| 1 | Explosion Proof-UL listed for Hazardous Locations NEMA 7, Class I, Groups B, C, and D NEMA 9, Class II, Groups E, F, and G |
| 2 | Explosion Proof-UL listed for Hazardous Locations NEMA 7, Class I, Groups C and D NEMA 9, Class II, Groups E, F, and G |
| 3 | European Hazardous Locations Designation: Ex dIIB + H2 T6 Category II 2 G |
| 4 | European Hazardous Locations Designation: Ex dIIB + H2 T2 Category II 2 G |

| Series | Code | ATEX Temperature Rating |
|--------|------|-------------------------------------|
| EX | T6 | -40 °C to 70 °C [-40 °F to 158 °F] |
| EXHT | T2 | -40 °C to 204 °C [-40 °F to 400 °F] |

EX Series










MICRO SWITCH™ EX SERIES ORDER GUIDE

| | Catalog Listing | Actuation | Circuitry | Electrical Rating | UL/CE Haz. Location Code | Operating Force | Pretravel max. mm [in] | Overtravel max. | Diff. Travel max. mm [in] | Notes |
|---|-------------------|------------------|-----------|-------------------|--------------------------|--|------------------------|-------------------|---------------------------|---|
|  | EX-AR | CW* | SPDT | 15 A (A) | 2, 3 | 2,22 N to 5,56 N [8 oz to 20 oz] | 5,56 [0.219] (8°) | 90° | 0,18 [0.007] (0.25°) | |
|  | EX-AR141 | CW* | SPDT | 15 A (A) | 2, 3 | 2,22 N to 5,56 N [8 oz to 20 oz] | 5,56 [0.219] (8°) | 90° | 0,18 [0.007] (0.25°) | No mounting bracket |
|  | EXA-AR | CW* | SPDT | 20 A (B) | 2, 3 | 3,34 N to 8,90 N [12 oz to 32 oz] | 5,56 [0.219] (8°) | 25° | 0,304 [0.012] | |
|  | EXA-AR20 | CW* | SPDT | 15 A (B) | 2, 3 | – | 5,56 [0.219] (8°) | 25° | – | No lever furnished (order separately) |
|  | EX-AR16 | CW or CCW* | SPDT | 15 A (A) | 2, 3 | 0,56 N [2 oz] max. | 5,56 [0.219] (8°) | 90° | 0,18 [0.007] (0.25°) | Low O.F. (no return spring) without mounting bracket |
|  | EX-AR1613 | CW* | SPDT | 15 A (A) | 2, 3 | 0,56 N [2 oz] max. | 16° ± 2° | 40° min. | – | 0.125 in x 5.28 in aluminum lever (no mounting bracket) |
|  | EX-AR20 | CW* | SPDT | 15 A (A) | 2, 3 | 3,81 N to 9,53 N [12.5 oz to 31.25 oz] | 5,56 [0.219] (8°) | 90° | 0,18 [0.007] (0.25°) | No lever furnished (order separately) |
|  | EX-AR230 | CCW* | SPDT | 15 A (A) | 2, 3 | 0,45 Nm [4.0 in-lb] | 1,65 [0.065] | 25° | 0,18 [0.007] (0.25°) | No lever furnished (order separately) |
|  | EX-AR471-3 | CW* | SPDT | 15 A (A) | 2, 3 | 3,34 N to 7,32 N [12 oz to 24 oz] | 5,56 [0.219] (8°) | 90° | 0,533 [0.021] (0.75°) | 36 inch leadwire |
|  | EX-AR50 | Manual operation | SPDT | 15 A (A) | 2, 3 | 11,12 N [40 oz] | – | 3,18 [0.125] min. | 0,077 [0.003] approx. | Large 3 in x 3.5 in paddle |

*Note: CW (Clockwise) and CCW (Counter-Clockwise) when looking at nameplate. EX Series switches are not sealed against liquids and are not intended to be used in liquid splash environments or outdoor use without protection. NEMA 1, 7, 9 only.

MICRO SWITCH™ Hazardous Location Limit Switches

MICRO SWITCH™ EX SERIES ORDER GUIDE, CONTINUED

| | Catalog Listing | Actuation | Circuitry | Electrical Rating | UL/CE Haz. Location Code | Operating Force | Pretravel max. mm [in] | Overtravel max. | Diff. Travel max. mm [in] | Notes |
|---|-----------------|-----------|-----------|-------------------|--------------------------|-----------------------------------|------------------------|-------------------|---------------------------|---|
|  | EX-AR128 | CW* | SPDT | 15 A (A) | 2, 3 | 2,22 N to 5,56 N [8 oz to 20 oz] | 5,56 [0.219] (8°) | 90° | 0,18 [0.007] (0.25°) | One-way roller lever |
|  | EXD-AR-3 | CW* | DPDT | 10 A (C) | 1, 3 | 2,44 N to 7,32 N [8 oz to 24 oz] | 6,35 [0.25] | 25° | 2,77 [0.109] | 36 inch wire leads |
|  | EXA-N | Plunger | SPDT | 20 A (B) | 2, 3 | 15,57 N [56 oz] | 2,77 [0.109] | 3,18 [0.125] min. | 0,229 [0.009] | With seal boot |
|  | EXA-Q | Plunger | SPDT | 20 A (B) | 2, 3 | 8,90 N [32 oz] | 1,27 [0.05] | 3,18 [0.125] min. | 0,229 [0.009] | |
|  | EXHT-Q | Plunger | SPDT | 3 A (F) | 1, 4 | 8,90 N [32 oz] | 1,27 [0.05] | 3,18 [0.125] min. | 0,229 [0.009] | 400° high temperature |
|  | EX-Q400 | Plunger | SPDT | 5 A (G) | 1 | 13,34 N [48 oz] | 1,98 [0.078] | 4,78 [0.188] | 0,102 [0.004] | 400° high temperature intermittent exposure |
|  | EXHT-AR | CW* | SPDT | 3 A (F) | 1, 4 | 3,34 N to 8,90 N [12 oz to 32 oz] | 5,56 [0.219] (8°) | 25° | 0,406 [0.016] | 400° high temperature |
|  | 1EX1 | CW* | SPDT | 15 A (A) | 2, 3 | 2,22 N to 5,56 N [8 oz to 20 oz] | 5,56 [0.219] (8°) | 90° | 0,18 [0.007] (0.25°) | Dual conduit openings |
|  | 2EX1 | CW* | DPDT | 20 A (B) | 2, 3 | 3,34 N to 8,90 N [12 oz to 32 oz] | 5,56 [0.219] (8°) | 25° | 0,305 [0.012] (0.5°) | Dual conduit openings |

*Note: CW (Clockwise) and CCW (Counter-Clockwise) when looking at nameplate. EX Series switches are not sealed against liquids and are not intended to be used in liquid splash environments or outdoor use without protection. NEMA 1, 7, 9 only.

EX Series

DIMENSIONAL DRAWINGS mm [in]

Figure 1. MICRO SWITCH™ EX Series, no lever

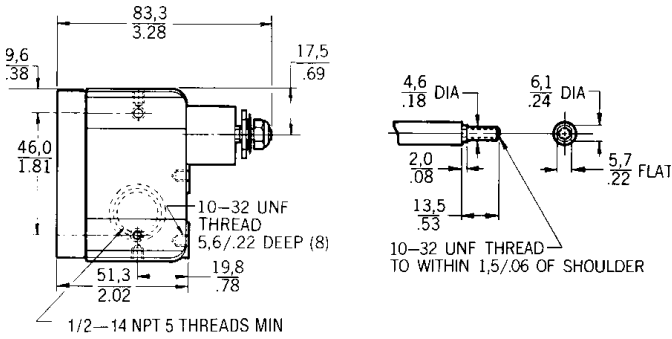


Figure 2. MICRO SWITCH™ EX Series, side rotary

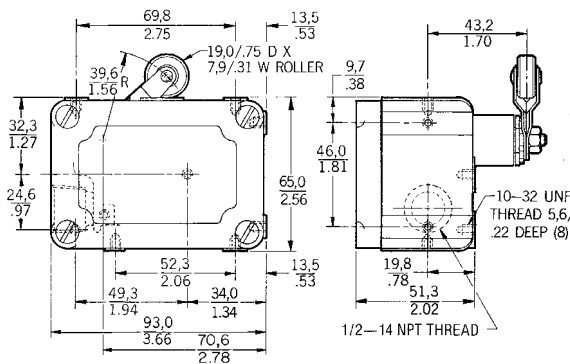


Figure 3. MICRO SWITCH™ EX Series, side rotary with two conduit openings

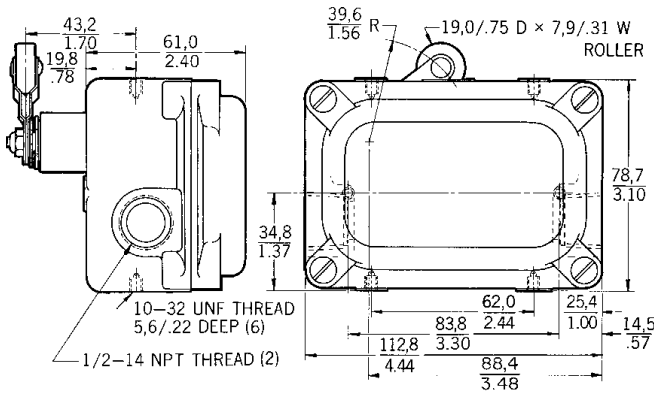


Figure 4. MICRO SWITCH™ EX Series, one-way lever

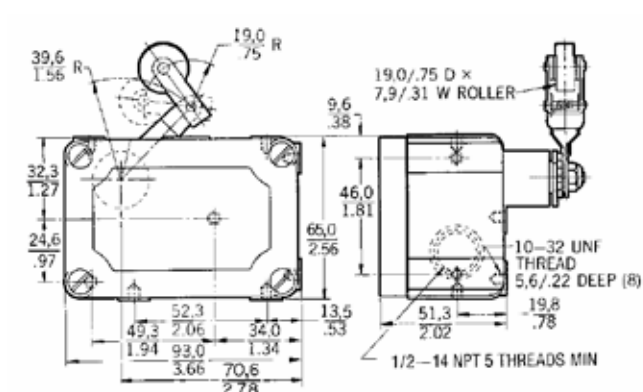


Figure 5. MICRO SWITCH™ EX Series, rod lever

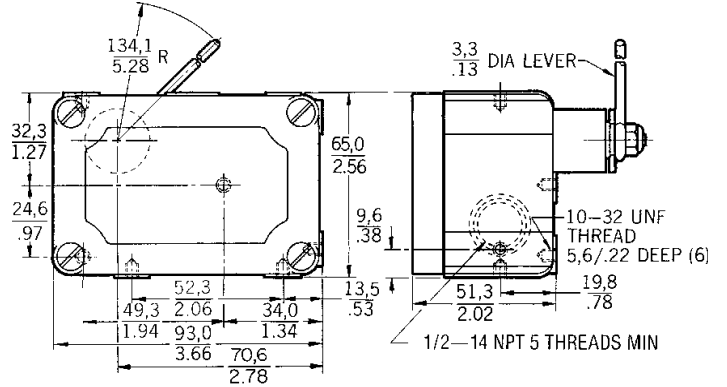


Figure 6. MICRO SWITCH™ EX Series, top pin plunger

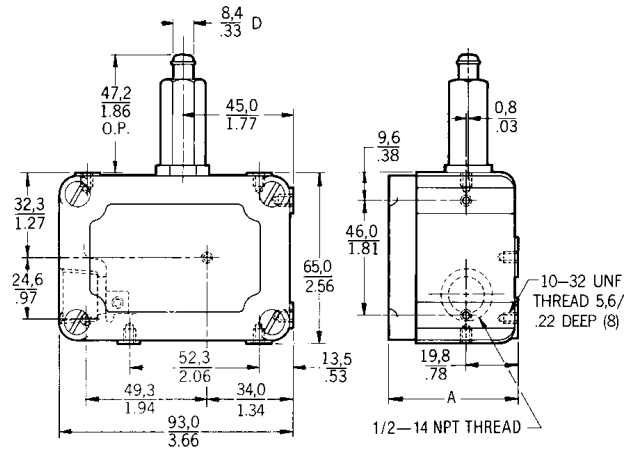


Figure 7. MICRO SWITCH™ EX Series, boot sealed

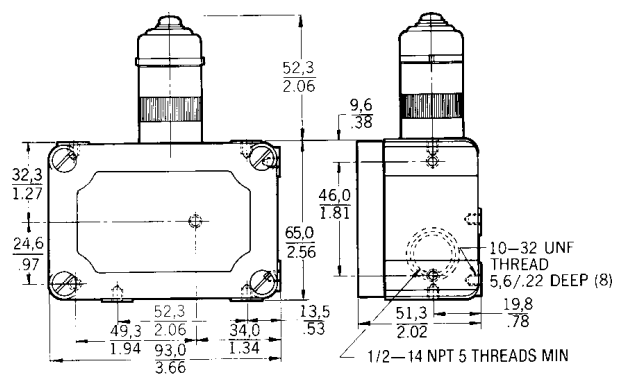
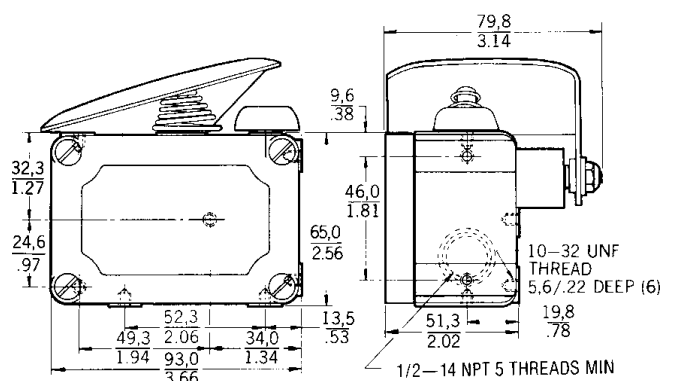


Figure 8. MICRO SWITCH™ EX Series, manually actuated









MICRO SWITCH™ Hazardous Location Limit Switches

Table 5. Replacement Catalog Listings

| EX Series Part Number | Internal Switching Element/ Basic Switch | Actuator | Internal Springs |
|-----------------------|---|-----------|------------------|
| EXA-AR | BA-2R-P4 | 6PA5-EX | 33PA6-EX |
| EXA-Q | BZ-2R-P4 | 8PA15-EX | – |
| EX-AR | BZ-2R-P4 | 6PA5-EX | 33PA7-EX |
| EX- AR128 | BZ-2R-P4 | 6PA130-EX | 33PA7-EX |
| EX-AR16 | BZ-2RW88-P5 | 6PA5-EX | – |
| EX-AR1613 | BZ-2RW88-P5 | 6PA136-EX | – |
| EX-AR20* | BZ-2R-P4 | * | 33PA7-EX |
| EX-AR30 | BZ-2R-P4 | 6PA5-EX | 33PA5-EX |
| EX-AR50 | BZ-2R-P4 | 6PA134-OP | 33PA7-EX |
| EX-AR800 | BZ-2R-P4 | 6PA5-EX | 33PA7-EX |
| EXD-AR-3 | DT-2R4-A7 | 6PA5-EX | 33PA6-EX |
| EXD-AR30-3 | DT-2R711-A7 | 6PA5-EX | 33PA5-EX |
| EXD-Q-3 | DT-2R-A7 | 8PA77-EX | – |
| EXH-AR3 | 4HS202 | 6PA5-EX | 33PA6-EX |
| EXH-AR33 | 4HS203 | 6PA5-EX | 33PA6-EX |
| EX-N15 | BZ-2R15-P4 | 8PA12-EX | – |
| EX-Q | BZ-2R-P4 | 8PA15-EX | – |
| EX-Q800 | BZ-2R-P4 | 8PA15-EX | – |
| Double Conduit | | | |
| 1EX1 | BZ-2R-P4 | 6PA5-EX | 33PA6-EX |
| 2EX1 | BZ-2R-P4 | 6PA5-EX | 33PA6-EX |
| 4EX1-3 | DT-2R4-A7 | 6PA5-EX | 33PA6-EX |

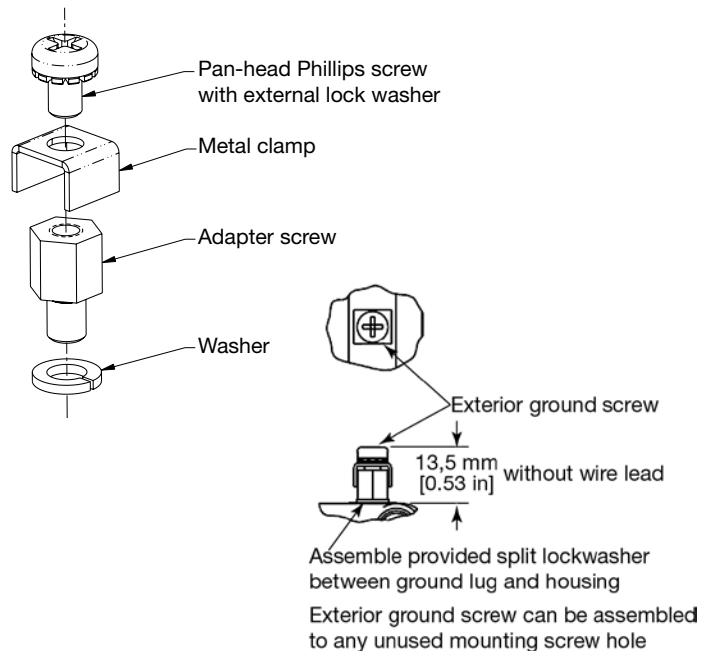
* Order levers separately

Table 6. Actuator Order Codes

| | Type | Part Number |
|---|--|---|
|  | One-way roller lever (for CW actuation) | 6PA130-EX (bronze roller) |
|  | One-way roller lever (for CCW actuation) | 6PA142-EX (bronze roller) |
|  | Adjustable length roller lever 43 mm to 76 mm [1.7 in to 3 in] | 6PA138-EX (nylon roller) |
|  | Rod lever 134 mm [5.28 in] | 6PA136-EX (aluminum rod) |
|  | Adjustable length 317,5 mm [12.5 in] max. rod lever with 25,4 mm [1 in] nylon roller | 6PA204-EX |
|  | Roller lever | 6PA5-EX (bronze roller) 6PA127-EX (nylon roller) |

GROUNDING SCREW ASSEMBLY

(for equipped models only)



EX Series

Table 7. Mounting Brackets

| 15PA85-EX (for side rotary) | 15PA86-EX (for top plunger) |
|--|--|
| | |
| used for top, bottom, back, or end mounting. It is furnished with each switch, except where noted in the order guides. | ordered separately for top mounting of plunger switches. EX switches may also be direct mounted, using 10-32 UNF screws. |

This datasheet supports the following MICRO SWITCH™ EX Series Hazardous Location Limit Switches

| | | | | | |
|----------|-------------|------------|------------|-----------|-----------|
| 1EX1 | EX-AR1613 | EX-AR800 | EXH-AR3 | EX-Q173 | 6PA130-EX |
| 2EX1 | EX-AR1620 | EX-AR830 | EXH-AR33 | EX-Q19 | 6PA136-EX |
| 4EX1-3 | EX-AR-1621 | EX-AR87 | EXH-AR7 | EX-Q22 | 6PA138-EX |
| 4EX5-3 | EX-AR182 | EXD-AR20-3 | EXH-AR7-R1 | EX-Q400 | 6PA142-EX |
| EXA-AR | EX-AR20 | EXD-AR-3 | EXH-N | EX-Q62 | 6PA204-EX |
| EXA-AR20 | EX-AR230 | EXD-AR30-3 | EXH-Q26-2 | EX-Q800 | 6PA5-EX |
| EXA-AR62 | EX-AR30 | EXD-AR30-6 | EXHT-AR | 15PA85-EX | 8PA12-EX |
| EXA-N | EX-AR400 | EXD-AR62-3 | EXHT-AR403 | 19PA4-EX | 8PA15-EX |
| EXA-Q | EX-AR420 | EXD-AR87-3 | EXHT-Q | 33PA1-EX | 8PA77-EX |
| EX-AR | EX-AR471-15 | EXD-N-3 | EX-N15 | 33PA5-EX | EX-XR3 |
| EX-AR128 | EX-AR471-3 | EXD-Q26-2 | EX-N152 | 33PA6-EX | EX-XR9 |
| EXAR-141 | EX-AR50 | EXD-Q-3 | EX-Q | 33PA7-EX | EX-YQ-3 |
| EX-AR16 | EX-AR68 | EXD-Q62-3 | EX-Q1 | 6PA126-EX | |
| | EX-AR8 | EXH-AR2 | EX-Q171 | 6PA127-EX | |

MICRO SWITCH™ Hazardous Location Limit Switches

Table 8. Additional Available EX Listings

| Listing | CW | CCW | Plunger | SPDT | DPDT | 2-CKT DB | 1 A | 10 A | 15 A | 20 A | Class 1 Group B | Pre-leaded |
|----------------|----|-----|---------|------|------|----------|-----|------|------|------|-----------------|------------|
| EXA-AR62 | ✓ | | | | | | | | | ✓ | | |
| EXA-N | | | ✓ | ✓ | | | | | | ✓ | | |
| EX-AR1620 | | | | ✓ | | | | | ✓ | | | |
| EX-AR-1621 | | | | ✓ | | | | | ✓ | | | |
| EX-AR182 | ✓ | | | ✓ | | | | | ✓ | | | |
| EX-AR30 | | ✓ | | ✓ | | | | | ✓ | | | |
| EX-AR400 | ✓ | | | ✓ | | | 5 A | | | | | |
| EX-AR420 | ✓ | | | ✓ | | | 5 A | | | | | |
| EX-AR471-15 | ✓ | | | | | ✓ | | | ✓ | | | 15 ft |
| EX-AR471-3 | ✓ | | | | | ✓ | | | ✓ | | | 3 ft |
| EX-AR68 | ✓ | | | ✓ | | | | | ✓ | | | |
| EX-AR8 | ✓ | | | ✓ | | | | | ✓ | | | |
| EX-AR800 | ✓ | | | ✓ | | | | | ✓ | | ✓ | |
| EX-AR830 | | ✓ | | ✓ | | | | | ✓ | | | |
| EX-AR87 | ✓ | | | ✓ | | | | | ✓ | | | |
| EXD-AR20-3 | ✓ | | | | ✓ | | | ✓ | | | ✓ | 3 ft |
| EXD-AR-3 | ✓ | | | | ✓ | | | ✓ | | | ✓ | 3 ft |
| EXD-AR30-3 | | ✓ | | | ✓ | | | ✓ | | | ✓ | 3 ft |
| EXD-AR30-6 | | ✓ | | | ✓ | | | ✓ | | | ✓ | 6 ft |
| EXD-AR62-3 | ✓ | | | | ✓ | | | ✓ | | | ✓ | 3 ft |
| EXD-AR87-3 | ✓ | | | | ✓ | | | ✓ | | | ✓ | 3 ft |
| EXD-N-3 | | | ✓ | | ✓ | | | ✓ | | | ✓ | 3 ft |
| EXD-Q26-2 | | | ✓ | | ✓ | | | ✓ | | | ✓ | 3 ft |
| EXD-Q-3 | | | ✓ | | ✓ | | | ✓ | | | ✓ | 2 ft |
| EXD-Q62-3 | | | ✓ | | ✓ | | | ✓ | | | ✓ | 3 ft |
| EXH-AR2 | ✓ | | | ✓ | | | ✓ | | | | | ✓ |
| EXH-AR3 | ✓ | | | ✓ | | | ✓ | | | | ✓ | 10.5 ft |
| EXH-AR33 | | ✓ | | ✓ | | | ✓ | | | | ✓ | 10.5 ft |
| EXH-AR7 | ✓ | | | ✓ | | | ✓ | | | | ✓ | 3 ft |
| EXH-AR7-R1 | ✓ | | | ✓ | | | ✓ | | | | ✓ | |
| EXH-N | | | ✓ | ✓ | | | ✓ | | | | ✓ | |
| EXH-Q26-2 | | | ✓ | ✓ | | | ✓ | | | | ✓ | |
| EXHT-AR403 | ✓ | | | ✓ | | | 3 A | | | | | |
| EX-N15 | | | ✓ | ✓ | | | | ✓ | | | | |
| EX-N152 | | | ✓ | SPNO | | | | ✓ | | | | |
| EX-Q | | | ✓ | ✓ | | | | | ✓ | | | |
| EX-Q1 | | | ✓ | SPNO | | | | ✓ | | | | |
| EX-Q171 | | | ✓ | ✓ | | | | | | | | |
| EX-Q173 | | | ✓ | ✓ | | | | | | | | |
| EX-Q19 | | | ✓ | ✓ | | | | | | | | |
| EX-Q22 | | | ✓ | ✓ | | | | | | | | |
| EX-Q62 | | | ✓ | ✓ | | | | | | | | |
| EX-Q800 | | | ✓ | ✓ | | | | | ✓ | | ✓ | |
| Double Conduit | | | | | | | | | | | | |
| 4EX1-3 | ✓ | | | | ✓ | | | ✓ | | | | 3 ft |
| 4EX5-3 | ✓ | | | | ✓ | | | ✓ | | | | 3 ft |

ADDITIONAL INFORMATION

The following associated literature is available on the Honeywell web site at sensing.honeywell.com:

- Product installation instructions
- Product range guide
- Hazardous location switches product brochure
- Product application-specific information
 - Application note: Electronic sensors and electromechanical switches in valves and flow meters
 - Application note: Industrial waste water treatment
 - Application note: Sensors and switches for industrial manual process valves
 - Sensors and switches in oil rig applications

WARNING

PERSONAL INJURY

DO NOT USE these products as safety or emergency stop devices or in any other application where failure of the product could result in personal injury.

Failure to comply with these instructions could result in death or serious injury.

WARNING

MISUSE OF DOCUMENTATION

- The information presented in this product sheet is for reference only. Do not use this document as a product installation guide.
- Complete installation, operation, and maintenance information is provided in the instructions supplied with each product.

Failure to comply with these instructions could result in death or serious injury.

WARRANTY/REMEDY

Honeywell warrants goods of its manufacture as being free of defective materials and faulty workmanship. Honeywell's standard product warranty applies unless agreed to otherwise by Honeywell in writing; please refer to your order acknowledgement or consult your local sales office for specific warranty details. If warranted goods are returned to Honeywell during the period of coverage, Honeywell will repair or replace, at its option, without charge those items it finds defective. **The foregoing is buyer's sole remedy and is in lieu of all other warranties, expressed or implied, including those of merchantability and fitness for a particular purpose. In no event shall Honeywell be liable for consequential, special, or indirect damages.**

While we provide application assistance personally, through our literature and the Honeywell website, it is up to the customer to determine the suitability of the product in the application.

Specifications may change without notice. The information we supply is believed to be accurate and reliable as of this printing. However, we assume no responsibility for its use.

Find out more

Honeywell serves its customers through a worldwide network of sales offices, representatives and distributors. For application assistance, current specifications, pricing or name of the nearest Authorized Distributor, contact your local sales office.

To learn more about Honeywell's sensing and control products, call **+1-815-235-6847** or **1-800-537-6945**, visit **sensing.honeywell.com**, or e-mail inquiries to **info.sc@honeywell.com**

Sensing and Control
Honeywell
1985 Douglas Drive North
Golden Valley, MN 55422
honeywell.com

The Honeywell logo is displayed in a bold, red, sans-serif font.



Компания «ЭлектроПласт» предлагает заключение долгосрочных отношений при поставках импортных электронных компонентов на взаимовыгодных условиях!

Наши преимущества:

- Оперативные поставки широкого спектра электронных компонентов отечественного и импортного производства напрямую от производителей и с крупнейших мировых складов;
- Поставка более 17-ти миллионов наименований электронных компонентов;
- Поставка сложных, дефицитных, либо снятых с производства позиций;
- Оперативные сроки поставки под заказ (от 5 рабочих дней);
- Экспресс доставка в любую точку России;
- Техническая поддержка проекта, помощь в подборе аналогов, поставка прототипов;
- Система менеджмента качества сертифицирована по Международному стандарту ISO 9001;
- Лицензия ФСБ на осуществление работ с использованием сведений, составляющих государственную тайну;
- Поставка специализированных компонентов (Xilinx, Altera, Analog Devices, Intersil, Interpoint, Microsemi, Aeroflex, Peregrine, Syfer, Eurofarad, Texas Instrument, Miteq, Cobham, E2V, MA-COM, Hittite, Mini-Circuits, General Dynamics и др.);

Помимо этого, одним из направлений компании «ЭлектроПласт» является направление «Источники питания». Мы предлагаем Вам помощь Конструкторского отдела:

- Подбор оптимального решения, техническое обоснование при выборе компонента;
- Подбор аналогов;
- Консультации по применению компонента;
- Поставка образцов и прототипов;
- Техническая поддержка проекта;
- Защита от снятия компонента с производства.



Как с нами связаться

Телефон: 8 (812) 309 58 32 (многоканальный)

Факс: 8 (812) 320-02-42

Электронная почта: org@eplast1.ru

Адрес: 198099, г. Санкт-Петербург, ул. Калинина, дом 2, корпус 4, литера А.