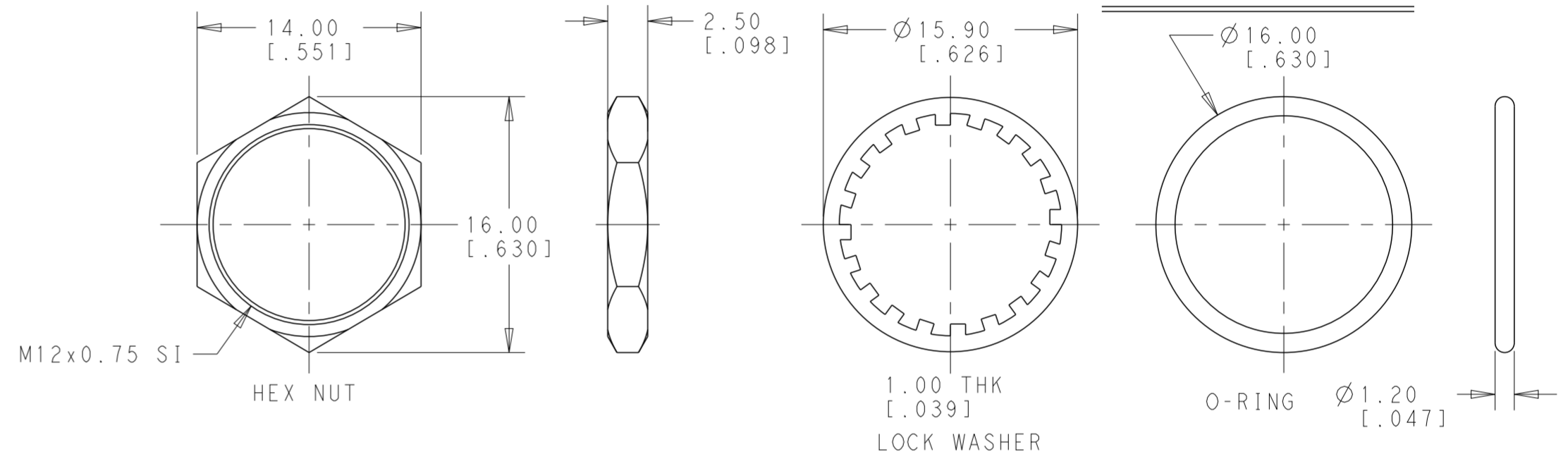
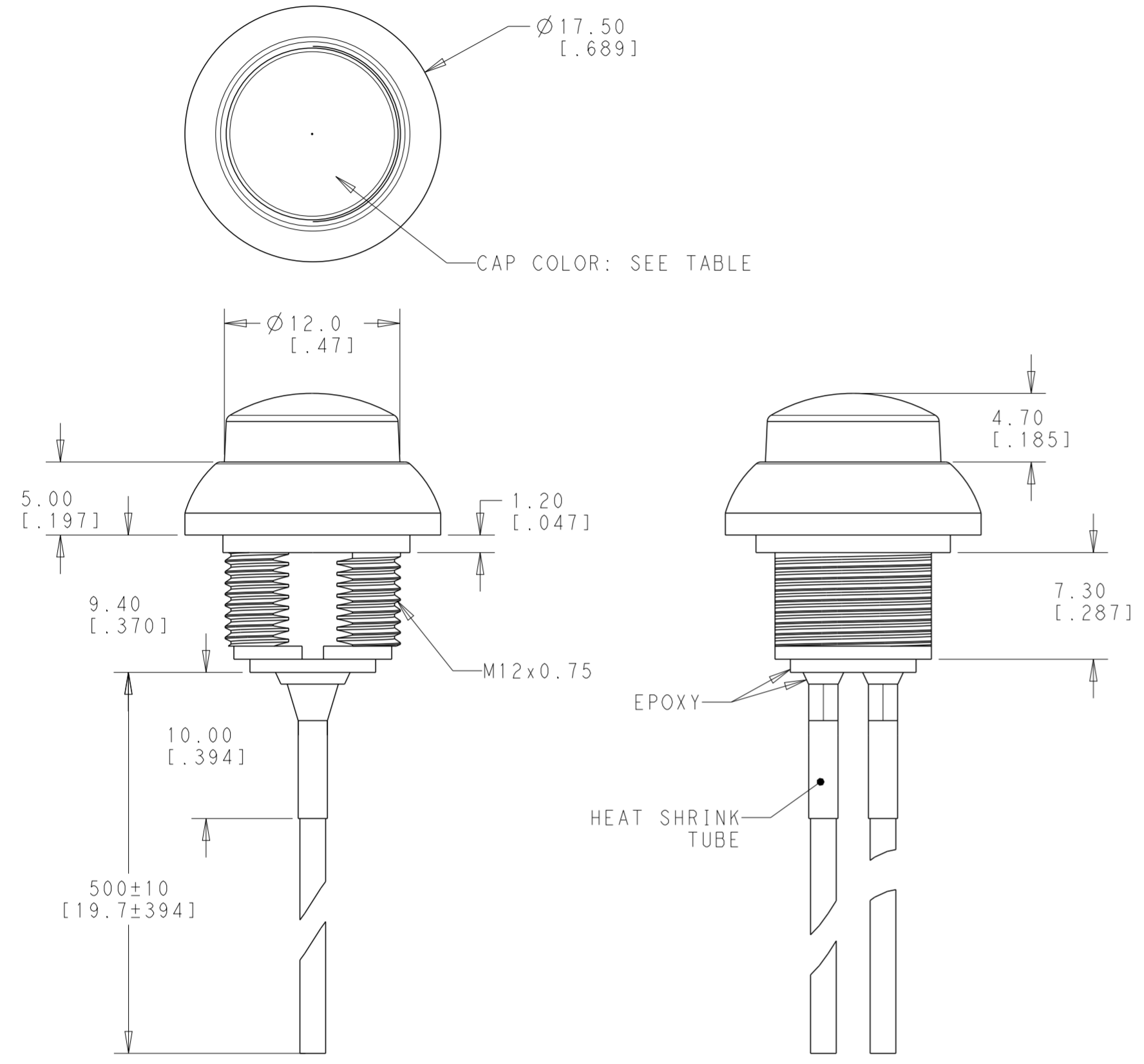


THIS DRAWING IS UNPUBLISHED. RELEASED FOR PUBLICATION  
 © COPYRIGHT copyright.d8te- ALL RIGHTS RESERVED.

REVISIONS				
P	LTR	DESCRIPTION	DATE	APVD
1		NEW DRAWING	22FEB2018	RS AS

### FLYING LEADS OFF-(ON)

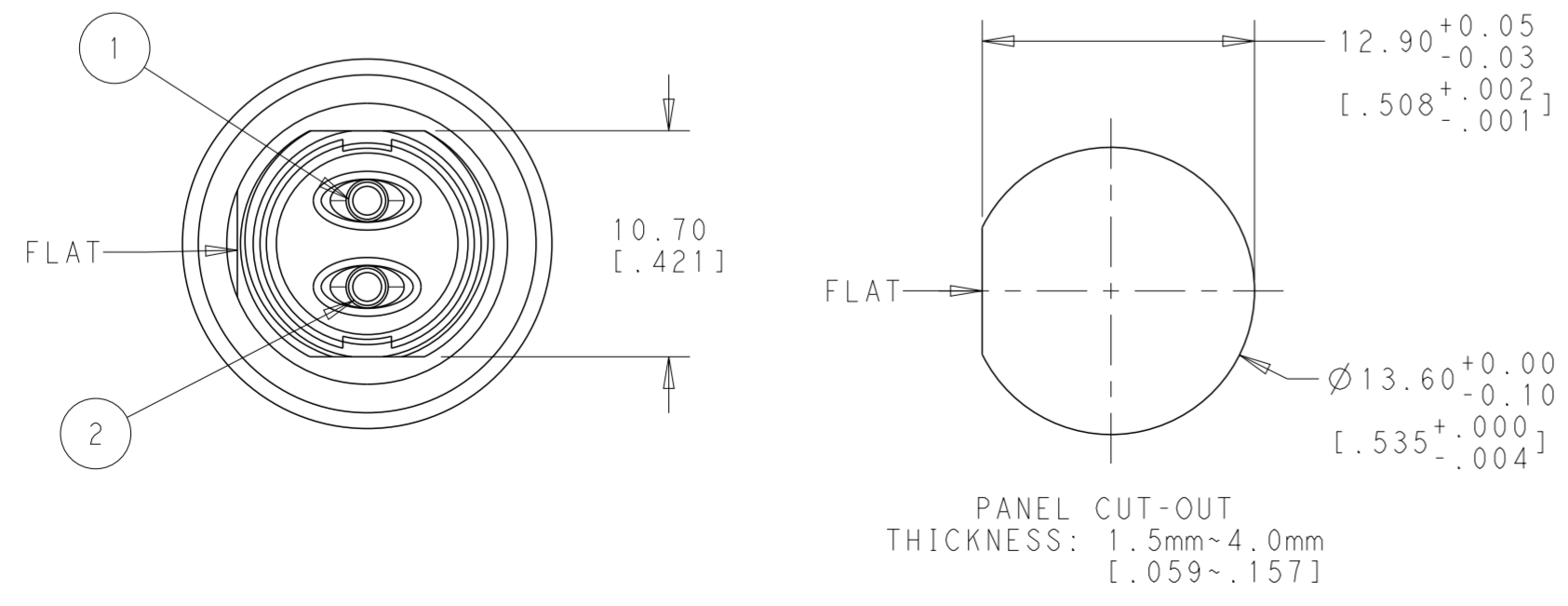
Model No.	POS. 1	POS. 2
PB6	OFF	MOM(ON)
CONNECTED TERMINALS	OPEN	CLOSE
SCHMATIC		



**SPECIFICATIONS:**  
 MAXIMUM CURRENT/VOLTAGE RATING WITH RESISTIVE LOAD:  
 400mA 32VAC, 200mA 50VDC, 125mA 125VAC  
 INITIAL CONTACT RESISTANCE: 100mΩ MAXIMUM, RESISTANCE OF THE WIRE NOT INCLUDED.  
 INSULATION RESISTANCE: 1 GΩ MINIMUM AT 500 VDC  
 DIELECTRIC STRENGTH: 1,500 VAC RMS  
 CONTACT BOUNCE: 10ms  
 ELECTRICAL LIFE AT FULL LOAD: 500,000 CYCLES  
 MECHANICAL LIFE: 1,000,000 CYCLES  
 TOTAL TRAVEL: 1.5 (.059)  
 ACTUATION FORCE: 3 TO 6N  
 OPERATING TEMPERATURE: -30° TO 85° C  
 DEGREE OF PROTECTION: IP68, 1 HOUR @ 1 METER  
 TORQUE: 0.5N·m MAXIMUM APPLIED TO NUT

**MATERIALS:**  
 CAP: POLYAMIDE 6/6  
 PLUNGER: POLYAMIDE 6/6 OR POLYCARBONATE  
 RUBBER: SILICONE  
 BUSHING: POLYAMIDE 6/6  
 CASE: DIALLYL PHTHALATE (DAP) (UL94 V-0)  
 TERMINALS/CONTACTS: COPPER ALLOY, GOLD OVER SILVER PLATED  
 HEX NUT: BRASS, NICKEL PLATED (1)  
 LOCK WASHER: BRASS, NICKEL PLATED (1)  
 O-RING: SILICONE (1)  
 WIRE: UL 3385, 20 AWG, SECTION 0.6mm<sup>2</sup>  
 SPRING: STEEL  
 HEAT SHRINK TUBE: POLYOLEFIN

**PACKAGING:**  
 SWITCHES ARE BUNDLED. HARDWARE IS NOT ASSEMBLED TO THE SWITCH.  
**COMPLIANCE:**  
 ALL MATERIALS AND FINISHES SHALL COMPLY WITH EU DIRECTIVE 2002/95/EC OF 27JAN2003(RoHS)  
**SOLDER PROCESSING:**  
 MANUAL SOLDERING: SOLDER IRON, 30 WATTS, CONTROLLED AT 350° C, APPROXIMATELY 5 SECONDS WHILE APPLYING SOLDER.



1. HARDWARE IS SHIPPED UNASSEMBLED.

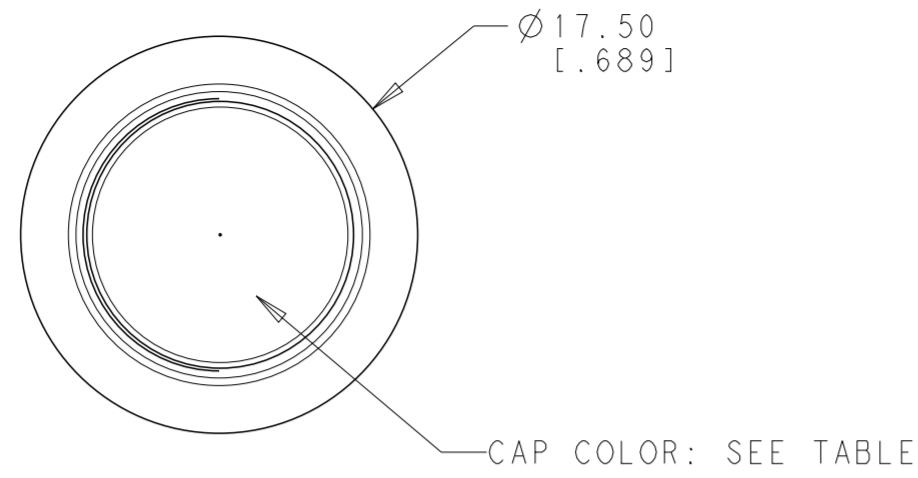
NO.	DESCRIPTION	WIRE COLOR
2	TERMINAL 2	BLACK
1	TERMINAL 1	BLACK

THIS DRAWING IS A CONTROLLED DOCUMENT.		DWN	22FEB2018	<b>STE</b> TE Connectivity
DIMENSIONS: mm[INCHES]		CHK	22FEB2018	
TOLERANCES UNLESS OTHERWISE SPECIFIED:		APVD	22FEB2018	
0 PLC ±		NAME		
1 PLC ±0.4[.016]		ALEXANDER SHARPE		
2 PLC ±0.25[.010]		PRODUCT SPEC		
3 PLC ±		APPLICATION SPEC		
4 PLC ±		WEIGHT		
ANGLES ±5°		SIZE		
FINISH		CAGE CODE		
-		DRAWING NO		
-		RESTRICTED TO		
-		A200779		
CUSTOMER DRAWING		SCALE 3:2		
		SHEET 1 OF 3		
		REV 1		

THIS DRAWING IS UNPUBLISHED. RELEASED FOR PUBLICATION  
 © COPYRIGHT copyright.d8te- ALL RIGHTS RESERVED.

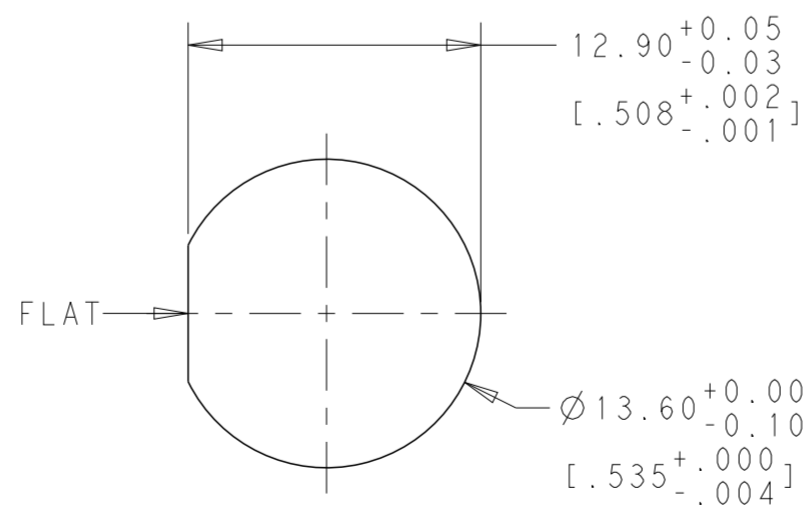
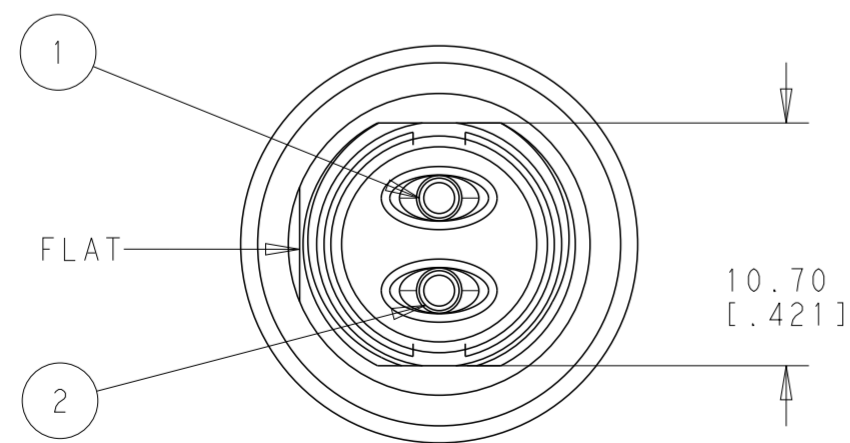
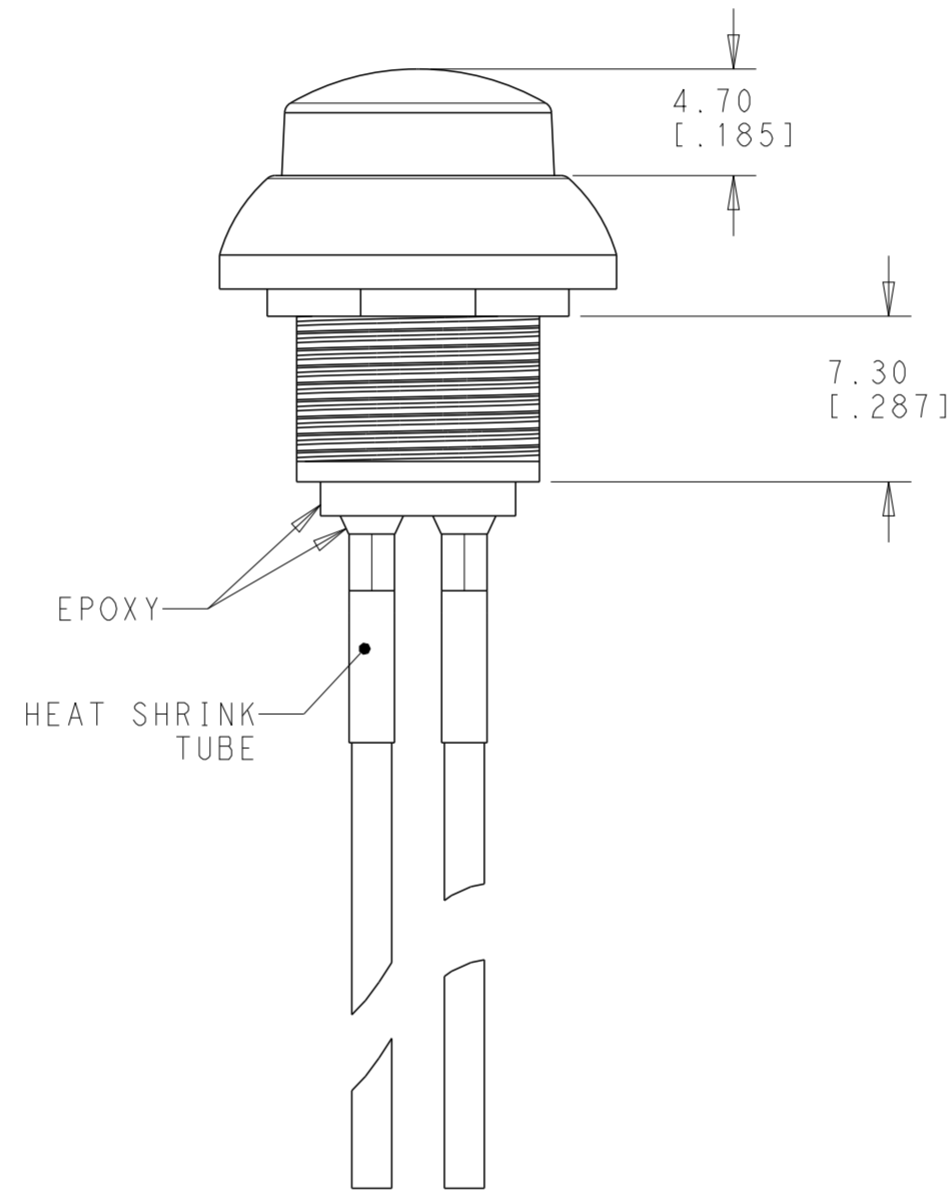
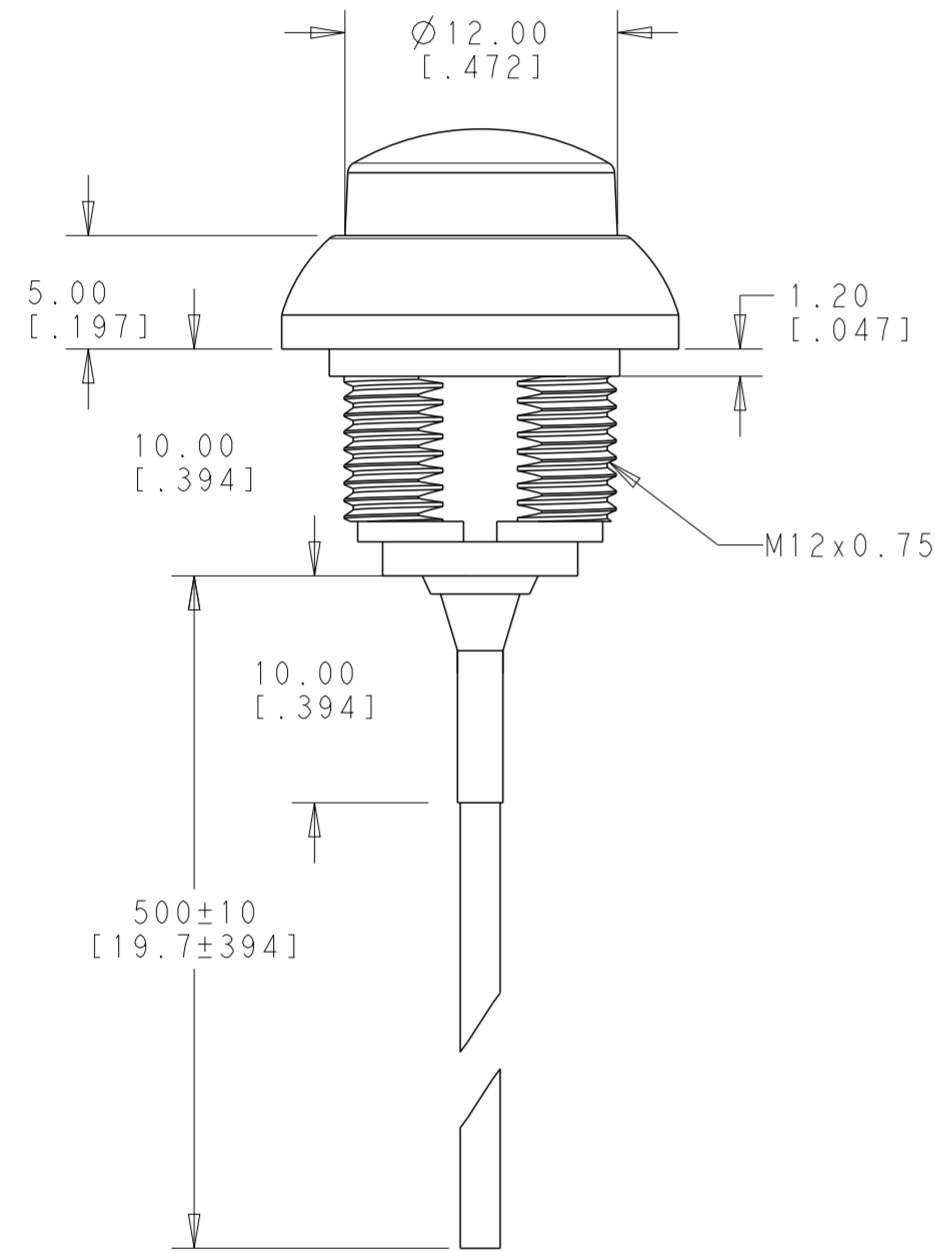
REVISIONS				
P	LTR	DESCRIPTION	DATE	APVD
-	-	SEE SHEET 1	-	-

FLYING LEADS  
ON-(OFF)



Model No.	POS. 1	POS. 2
PB7	ON	MOM(OFF)
CONNECTED TERMINALS	CLOSE	OPEN
SCHEMATIC		

SWITCH FUNCTION



PANEL CUT-OUT  
THICKNESS: 1.5mm~4.0mm  
[ .059~.157 ]

NO.	DESCRIPTION	WIRE COLOR
2	TERMINAL 2	BLACK
1	TERMINAL 1	BLACK


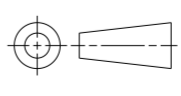
THIS DRAWING IS A CONTROLLED DOCUMENT.		DWN RAVLS 22FEB2018	TE Connectivity	
DIMENSIONS: mm [ INCHES ]		CHK ALEXANDER SHARPE 22FEB2018		
TOLERANCES UNLESS OTHERWISE SPECIFIED:		APVD ALEXANDER SHARPE 22FEB2018	NAME SWITCH, PUSHBUTTON, HIGH CAP NO LED, FLYING LEADS WITH HEAT SHRINK, SEALED, OFF-(ON) AND ON-(OFF)	
0 PLC ±		PRODUCT SPEC	SIZE	
1 PLC ±0.4 [ .016 ]		APPLICATION SPEC	CAGE CODE	
2 PLC ±0.25 [ .010 ]		WEIGHT	DRAWING NO	
3 PLC ±		CUSTOMER DRAWING	A200779 C-2329359	
4 PLC ±		SCALE	RESTRICTED TO	
ANGLES ±5°		3:2	-	
FINISH		SHEET	REV	
		2 OF 3	1	

THIS DRAWING IS UNPUBLISHED. RELEASED FOR PUBLICATION  
 © COPYRIGHT copyright.d8te ALL RIGHTS RESERVED.

REVISIONS				
P	LTR	DESCRIPTION	DATE	APVD
-	-	SEE SHEET 1	-	-

POLE	THROW	TERMINAL TYPE	CAP TYPE & COLOR	LED COLOR	TE DESCRIPTIVE PART NUMBER	PART NUMBER
SINGLE POLE	ON-(OFF) MOMENTARY	FLYING LEADS WITH HEAT SHRINK TUBE	HIGH, SHINY BLUE	N/A	PB7B2HS7M1CAL00Y500	1-2329359-0
			HIGH, SHINY GREEN	N/A	PB7B2HS6M1CAL00Y500	2329359-9
			HIGH, SHINY YELLOW	N/A	PB7B2HS5M1CAL00Y500	2329359-8
			HIGH, SHINY RED	N/A	PB7B2HS3M1CAL00Y500	2329359-7
			HIGH, SHINY BLACK	N/A	PB7B2HS2M1CAL00Y500	2329359-6
	OFF-(ON) MOMENTARY		HIGH, SHINY BLUE	N/A	PB6B2HS7M1CAL00Y500	2329359-5
			HIGH, SHINY GREEN	N/A	PB6B2HS6M1CAL00Y500	2329359-4
			HIGH, SHINY YELLOW	N/A	PB6B2HS5M1CAL00Y500	2329359-3
			HIGH, SHINY RED	N/A	PB6B2HS3M1CAL00Y500	2329359-2
			HIGH, SHINY BLACK	N/A	PB6B2HS2M1CAL00Y500	2329359-1

THIS DRAWING IS A CONTROLLED DOCUMENT.

DWN RAVI.S 22FEB2018	 TE Connectivity					
CHK ALEXANDER SHARPE 22FEB2018						
APVD ALEXANDER SHARPE 22FEB2018						
NAME SWITCH, PUSHBUTTON, HIGH CAP NO LED, FLYING LEADS WITH HEAT SHRINK, SEALED, OFF-(ON) AND ON-(OFF)						
DIMENSIONS: mm [INCHES]	TOLERANCES UNLESS OTHERWISE SPECIFIED:	PRODUCT SPEC -	SIZE A200779	CAGE CODE C-2329359	DRAWING NO -	RESTRICTED TO -
	0 PLC ± 1 PLC ±0.4 [.016] 2 PLC ±0.25 [.010] 3 PLC ± 4 PLC ± ANGLES ± FINISH ±5°	APPLICATION SPEC -	WEIGHT -	SCALE 3:2	SHEET 3 OF 3	REV 1
MATERIAL -	FINISH -	CUSTOMER DRAWING				



Компания «ЭлектроПласт» предлагает заключение долгосрочных отношений при поставках импортных электронных компонентов на взаимовыгодных условиях!

Наши преимущества:

- Оперативные поставки широкого спектра электронных компонентов отечественного и импортного производства напрямую от производителей и с крупнейших мировых складов;
- Поставка более 17-ти миллионов наименований электронных компонентов;
- Поставка сложных, дефицитных, либо снятых с производства позиций;
- Оперативные сроки поставки под заказ (от 5 рабочих дней);
- Экспресс доставка в любую точку России;
- Техническая поддержка проекта, помощь в подборе аналогов, поставка прототипов;
- Система менеджмента качества сертифицирована по Международному стандарту ISO 9001;
- Лицензия ФСБ на осуществление работ с использованием сведений, составляющих государственную тайну;
- Поставка специализированных компонентов (Xilinx, Altera, Analog Devices, Intersil, Interpoint, Microsemi, Aeroflex, Peregrine, Syfer, Eurofarad, Texas Instrument, Miteq, Cobham, E2V, MA-COM, Hittite, Mini-Circuits, General Dynamics и др.);

Помимо этого, одним из направлений компании «ЭлектроПласт» является направление «Источники питания». Мы предлагаем Вам помощь Конструкторского отдела:

- Подбор оптимального решения, техническое обоснование при выборе компонента;
- Подбор аналогов;
- Консультации по применению компонента;
- Поставка образцов и прототипов;
- Техническая поддержка проекта;
- Защита от снятия компонента с производства.



#### Как с нами связаться

**Телефон:** 8 (812) 309 58 32 (многоканальный)

**Факс:** 8 (812) 320-02-42

**Электронная почта:** [org@eplast1.ru](mailto:org@eplast1.ru)

**Адрес:** 198099, г. Санкт-Петербург, ул. Калинина, дом 2, корпус 4, литера А.