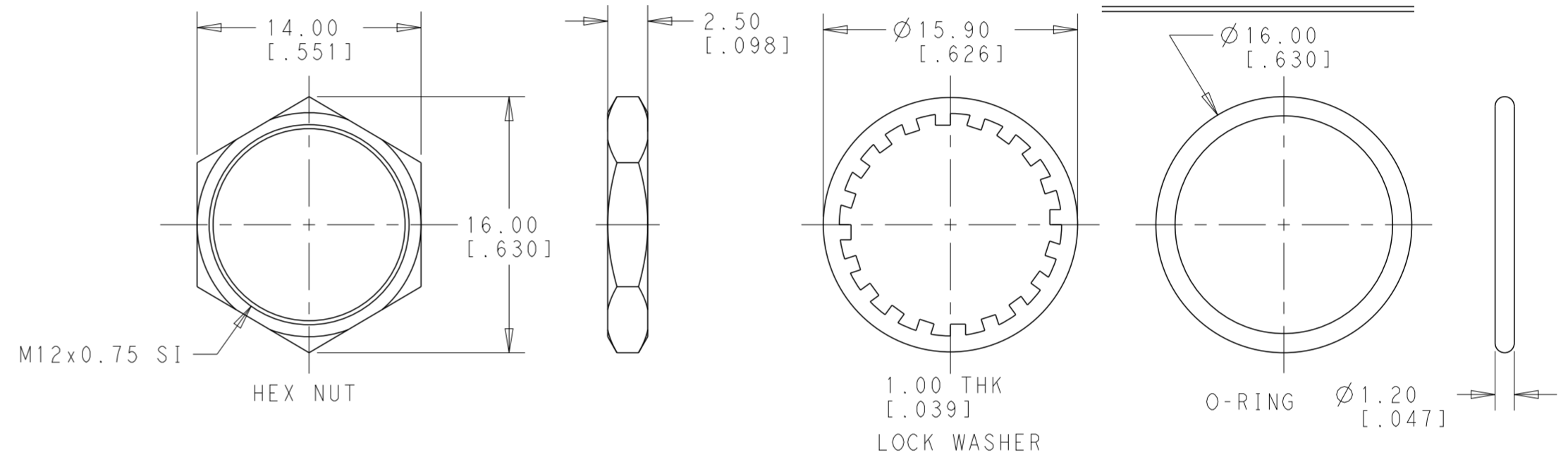
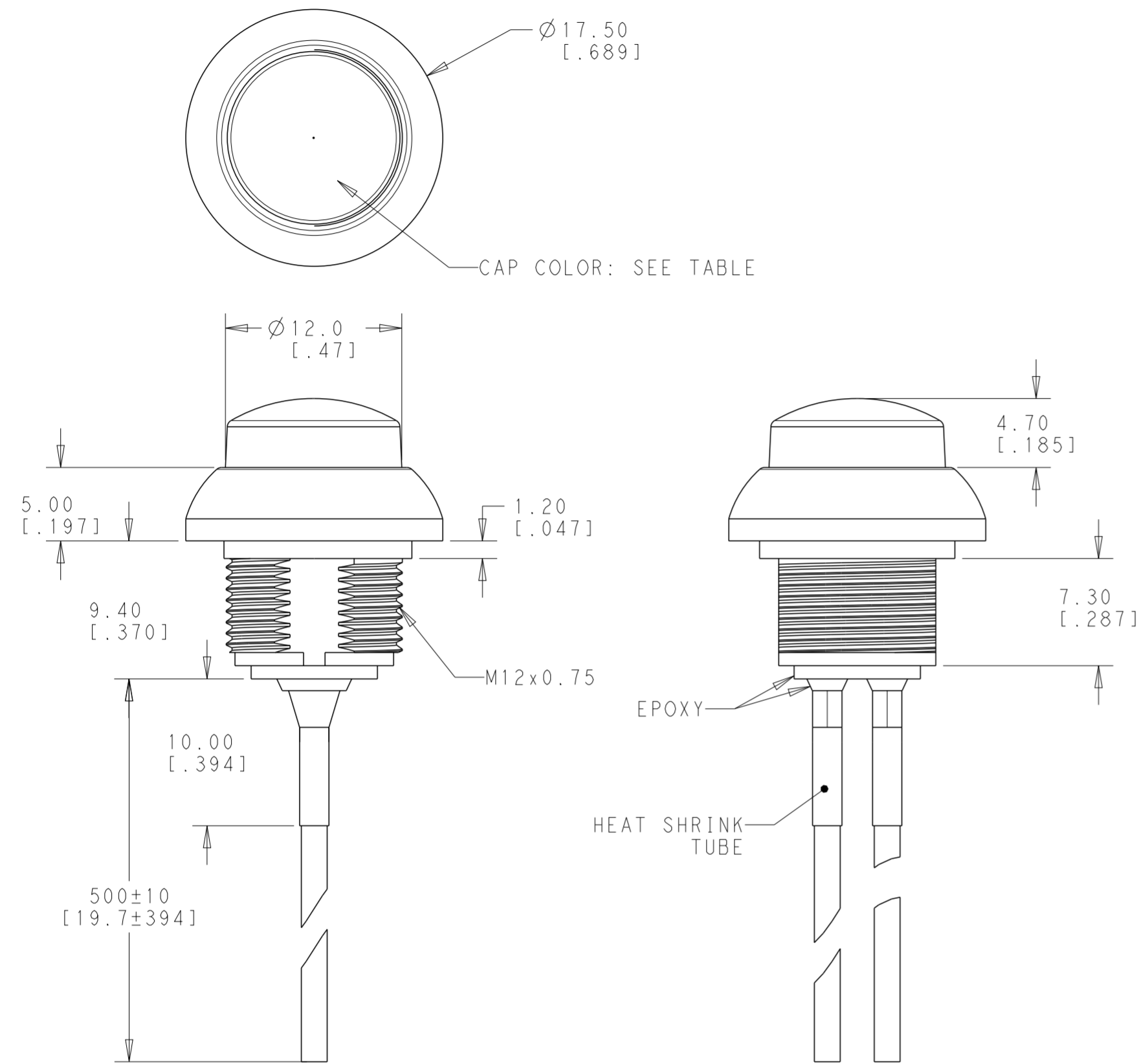


THIS DRAWING IS UNPUBLISHED. RELEASED FOR PUBLICATION
 © COPYRIGHT copyright.d8te- ALL RIGHTS RESERVED.

REVISIONS				
P	LTR	DESCRIPTION	DATE	APVD
1		NEW DRAWING	22FEB2018	RS AS

FLYING LEADS OFF-(ON)

Model No.	POS. 1	POS. 2
PB6	OFF	MOM(ON)
CONNECTED TERMINALS	OPEN	CLOSE
SCHMATIC		



SPECIFICATIONS:

MAXIMUM CURRENT/VOLTAGE RATING WITH RESISTIVE LOAD:
 400mA 32VAC, 200mA 50VDC, 125mA 125VAC

INITIAL CONTACT RESISTANCE: 100mΩ MAXIMUM, RESISTANCE OF THE WIRE NOT INCLUDED.

INSULATION RESISTANCE: 1 GΩ MINIMUM AT 500 VDC
 DIELECTRIC STRENGTH: 1,500 VAC RMS

CONTACT BOUNCE: 10ms
 ELECTRICAL LIFE AT FULL LOAD: 500,000 CYCLES

MECHANICAL LIFE: 1,000,000 CYCLES

TOTAL TRAVEL: 1.5 (.059)

ACTUATION FORCE: 3 TO 6N

OPERATING TEMPERATURE: -30° TO 85° C

DEGREE OF PROTECTION: IP68, 1 HOUR @ 1 METER

TORQUE: 0.5N·m MAXIMUM APPLIED TO NUT

MATERIALS:

CAP: POLYAMIDE 6/6
 PLUNGER: POLYAMIDE 6/6 OR POLYCARBONATE
 RUBBER: SILICONE
 BUSHING: POLYAMIDE 6/6
 CASE: DIALLYL PHTHALATE (DAP) (UL94 V-0)
 TERMINALS/CONTACTS: COPPER ALLOY, GOLD OVER SILVER PLATED
 HEX NUT: BRASS, NICKEL PLATED (1)
 LOCK WASHER: BRASS, NICKEL PLATED (1)
 O-RING: SILICONE (1)
 WIRE: UL 3385, 20 AWG, SECTION 0.6mm²
 SPRING: STEEL
 HEAT SHRINK TUBE: POLYOLEFIN

PACKAGING:

SWITCHES ARE BUNDLED. HARDWARE IS NOT ASSEMBLED TO THE SWITCH.

COMPLIANCE:

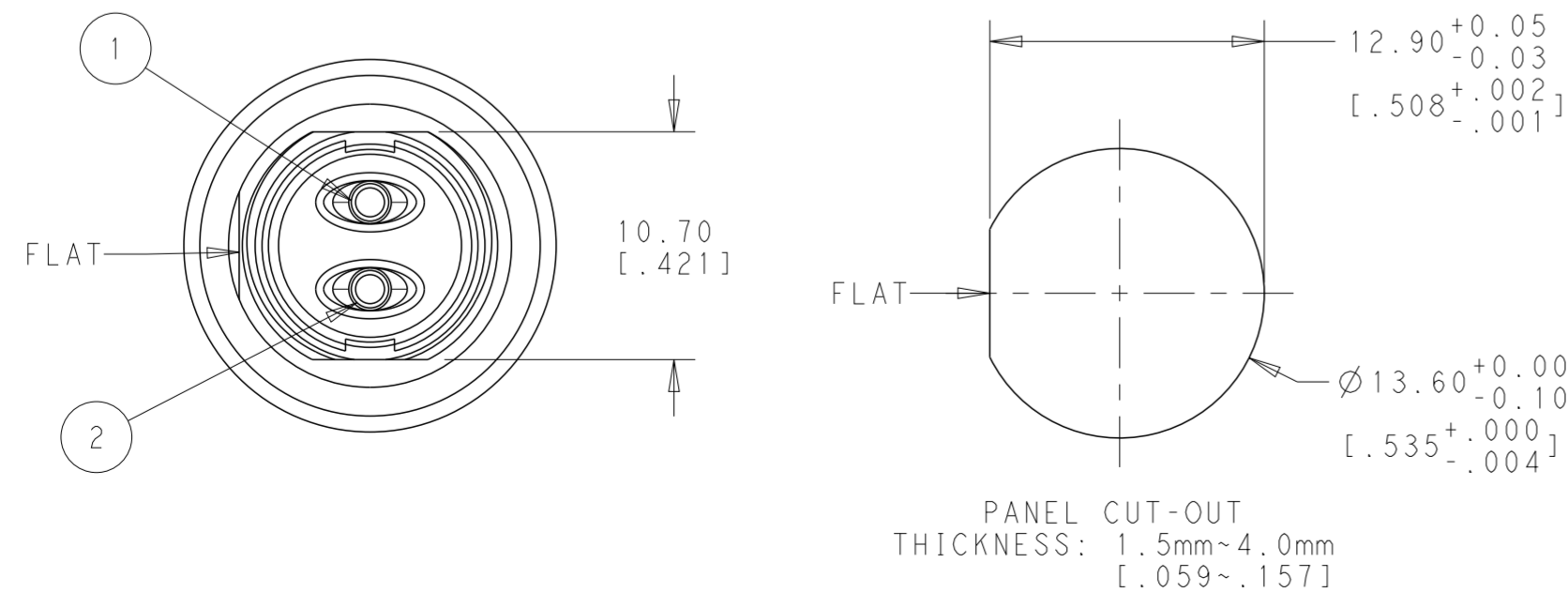
ALL MATERIALS AND FINISHES SHALL COMPLY WITH EU DIRECTIVE 2002/95/EC OF 27JAN2003(RoHS)

SOLDER PROCESSING:

MANUAL SOLDERING: SOLDER IRON, 30 WATTS, CONTROLLED AT 350° C, APPROXIMATELY 5 SECONDS WHILE APPLYING SOLDER.

1. HARDWARE IS SHIPPED UNASSEMBLED.

NO.	DESCRIPTION	WIRE COLOR
2	TERMINAL 2	BLACK
1	TERMINAL 1	BLACK



THIS DRAWING IS A CONTROLLED DOCUMENT.

DWN	RAVLS	22FEB2018
CHK	ALEXANDER SHARPE	22FEB2018
APVD	ALEXANDER SHARPE	22FEB2018

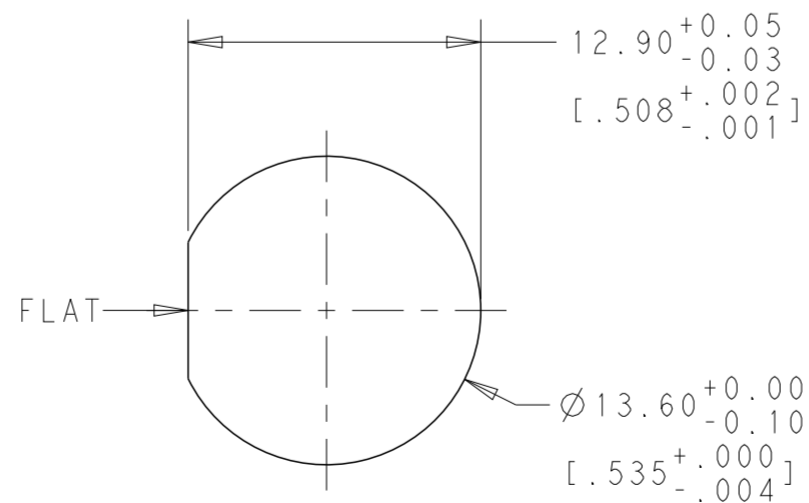
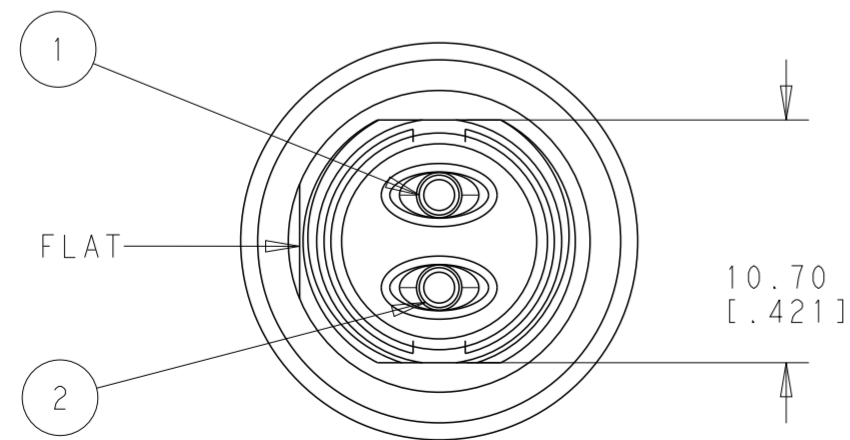
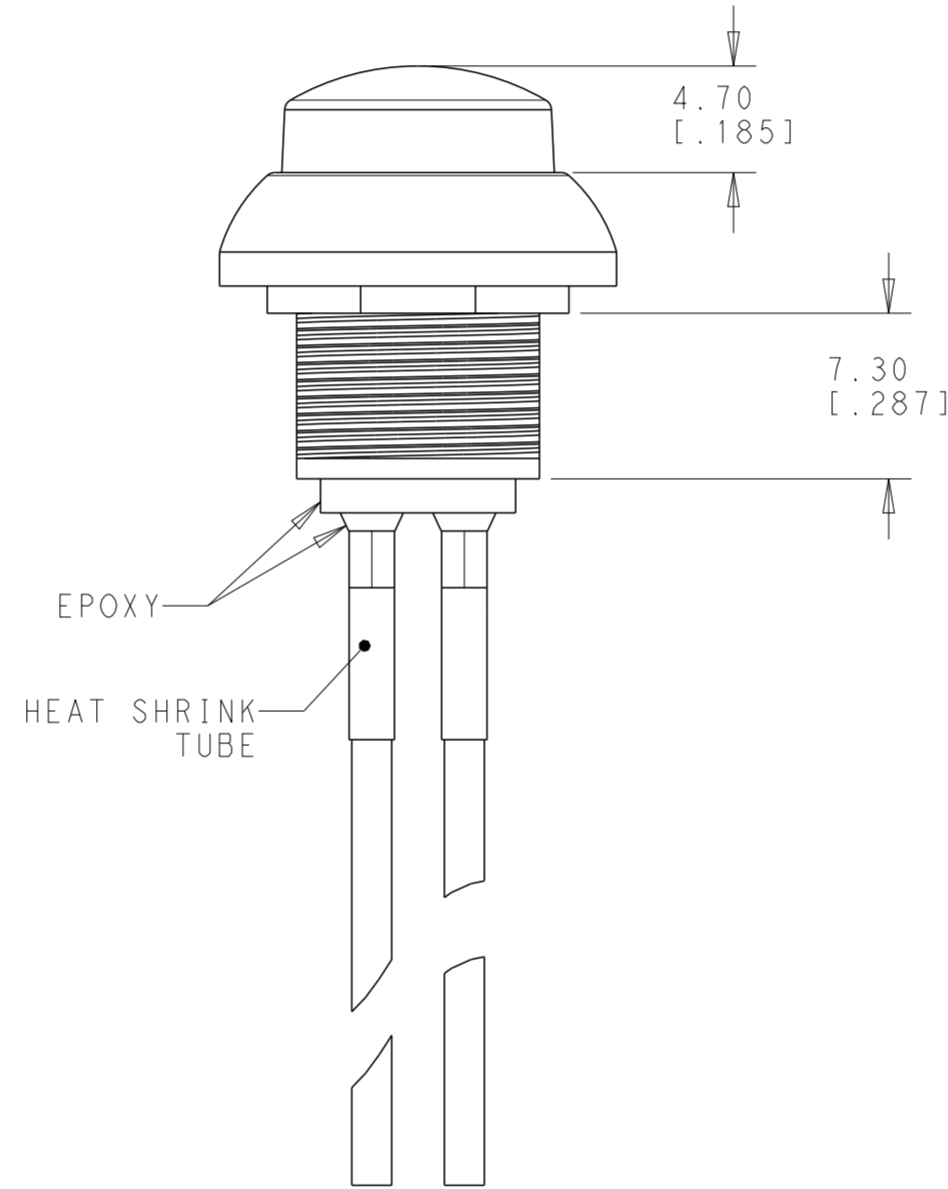
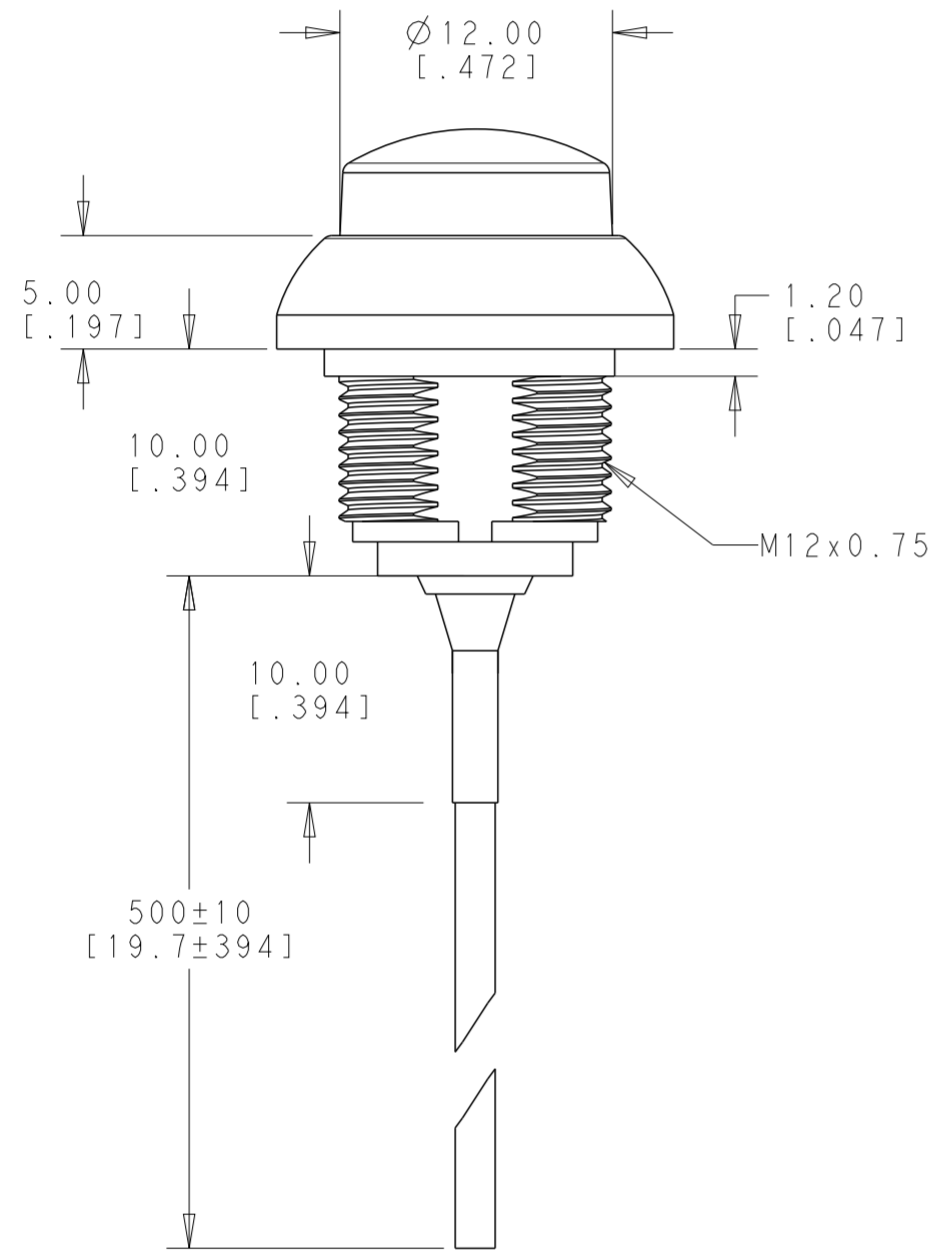
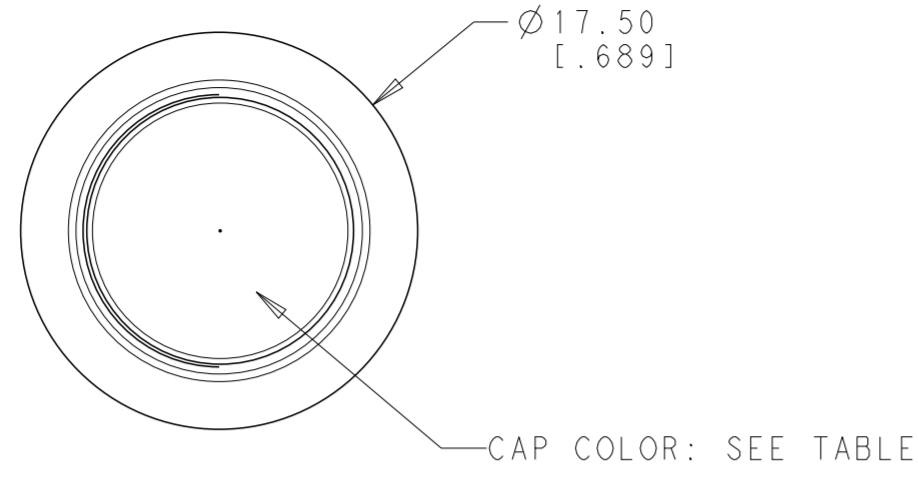
DELIMITARY TE Connectivity

SWITCH, PUSHBUTTON, HIGH CAP NO LED, FLYING LEADS WITH HEAT SHRINK, SEALED, OFF-(ON) AND ON-(OFF)

MATERIAL	-	WEIGHT	-	SIZE	A2	CAGE CODE	00779	DRAWING NO	C-2329359	RESTRICTED TO	-		
CUSTOMER DRAWING								SCALE	3:2	SHEET	1 OF 3	REV	1

THIS DRAWING IS UNPUBLISHED. RELEASED FOR PUBLICATION
 © COPYRIGHT copyright.d8te- ALL RIGHTS RESERVED.

FLYING LEADS
ON-(OFF)



PANEL CUT-OUT
THICKNESS: 1.5mm~4.0mm
[.059~.157]

REVISIONS				
P	LTR	DESCRIPTION	DATE	APVD
-	-	SEE SHEET 1	-	-

Model No.	POS. 1	POS. 2
PB7	ON	MOM(OFF)
CONNECTED TERMINALS	CLOSE	OPEN
SCHEMATIC		

SWITCH FUNCTION

NO.	DESCRIPTION	WIRE COLOR
2	TERMINAL 2	BLACK
1	TERMINAL 1	BLACK

THIS DRAWING IS A CONTROLLED DOCUMENT.

DWN	RAVLS	22FEB2018
CHK	ALEXANDER SHARPE	22FEB2018
APVD	ALEXANDER SHARPE	22FEB2018

NAME: ALEXANDER SHARPE

PRODUCT SPEC: -

APPLICATION SPEC: -

WEIGHT: -

CUSTOMER DRAWING

SCALE: 3:2 SHEET: 2 OF 3 REV: 1

SIZE: A2 CAGE CODE: 00779 DRAWING NO: C-2329359

RESTRICTED TO: -

STE TE Connectivity

SWITCH, PUSHBUTTON, HIGH CAP NO LED, FLYING LEADS WITH HEAT SHRINK, SEALED, OFF-(ON) AND ON-(OFF)

THIS DRAWING IS UNPUBLISHED. RELEASED FOR PUBLICATION
 © COPYRIGHT copyright.d8te ALL RIGHTS RESERVED.

REVISIONS				
P	LTR	DESCRIPTION	DATE	APVD
-	-	SEE SHEET 1	-	-

POLE	THROW	TERMINAL TYPE	CAP TYPE & COLOR	LED COLOR	TE DESCRIPTIVE PART NUMBER	PART NUMBER
SINGLE POLE	ON-(OFF) MOMENTARY	FLYING LEADS WITH HEAT SHRINK TUBE	HIGH, SHINY BLUE	N/A	PB7B2HS7M1CAL00Y500	1-2329359-0
			HIGH, SHINY GREEN	N/A	PB7B2HS6M1CAL00Y500	2329359-9
			HIGH, SHINY YELLOW	N/A	PB7B2HS5M1CAL00Y500	2329359-8
			HIGH, SHINY RED	N/A	PB7B2HS3M1CAL00Y500	2329359-7
			HIGH, SHINY BLACK	N/A	PB7B2HS2M1CAL00Y500	2329359-6
	OFF-(ON) MOMENTARY		HIGH, SHINY BLUE	N/A	PB6B2HS7M1CAL00Y500	2329359-5
			HIGH, SHINY GREEN	N/A	PB6B2HS6M1CAL00Y500	2329359-4
			HIGH, SHINY YELLOW	N/A	PB6B2HS5M1CAL00Y500	2329359-3
			HIGH, SHINY RED	N/A	PB6B2HS3M1CAL00Y500	2329359-2
			HIGH, SHINY BLACK	N/A	PB6B2HS2M1CAL00Y500	2329359-1

THIS DRAWING IS A CONTROLLED DOCUMENT.

DWN RAVI.S 22FEB2018
 CHK ALEXANDER SHARPE 22FEB2018
 APVD ALEXANDER SHARPE 22FEB2018

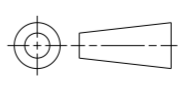
STE TE Connectivity

NAME SWITCH, PUSHBUTTON, HIGH CAP NO LED, FLYING LEADS WITH HEAT SHRINK, SEALED, OFF-(ON) AND ON-(OFF)

SIZE A200779 CAGE CODE C-2329359 DRAWING NO 2329359 RESTRICTED TO -

MATERIAL - FINISH - WEIGHT - CUSTOMER DRAWING SCALE 3:2 SHEET 3 OF 3 REV 1

DIMENSIONS: mm [INCHES]		TOLERANCES UNLESS OTHERWISE SPECIFIED:	
0 PLC	±	±0.4 [0.016]	
1 PLC	±	±0.25 [0.010]	
2 PLC	±		
3 PLC	±		
4 PLC	±		
ANGLES	±	±5°	
FINISH			





Компания «ЭлектроПласт» предлагает заключение долгосрочных отношений при поставках импортных электронных компонентов на взаимовыгодных условиях!

Наши преимущества:

- Оперативные поставки широкого спектра электронных компонентов отечественного и импортного производства напрямую от производителей и с крупнейших мировых складов;
- Поставка более 17-ти миллионов наименований электронных компонентов;
- Поставка сложных, дефицитных, либо снятых с производства позиций;
- Оперативные сроки поставки под заказ (от 5 рабочих дней);
- Экспресс доставка в любую точку России;
- Техническая поддержка проекта, помощь в подборе аналогов, поставка прототипов;
- Система менеджмента качества сертифицирована по Международному стандарту ISO 9001;
- Лицензия ФСБ на осуществление работ с использованием сведений, составляющих государственную тайну;
- Поставка специализированных компонентов (Xilinx, Altera, Analog Devices, Intersil, Interpoint, Microsemi, Aeroflex, Peregrine, Syfer, Eurofarad, Texas Instrument, Miteq, Cobham, E2V, MA-COM, Hittite, Mini-Circuits, General Dynamics и др.);

Помимо этого, одним из направлений компании «ЭлектроПласт» является направление «Источники питания». Мы предлагаем Вам помощь Конструкторского отдела:

- Подбор оптимального решения, техническое обоснование при выборе компонента;
- Подбор аналогов;
- Консультации по применению компонента;
- Поставка образцов и прототипов;
- Техническая поддержка проекта;
- Защита от снятия компонента с производства.



Как с нами связаться

Телефон: 8 (812) 309 58 32 (многоканальный)

Факс: 8 (812) 320-02-42

Электронная почта: org@eplast1.ru

Адрес: 198099, г. Санкт-Петербург, ул. Калинина, дом 2, корпус 4, литера А.