

MINI-SYS-PS-100-240AC/24DC/1.5

Power supply unit, primary switched-mode

INTERFACE

Data Sheet
102050_01_en

© PHOENIX CONTACT - 11/2006



Description

With the MINI-SYS-PS power supply, additional modules can be supplied with 24 DC using the optional DIN rail connectors. The low design depth of 95 mm is a particular advantage for use in surroundings with a low height. The system power supply particularly simplifies the power supply of the FO transmission system PSI-MOS as well as of the analog 6 mm MCR measuring transducer. In this way it emphasizes the seamless character of the INTERFACE product range.

Even without the DIN rail connector, the flat power supply unit 24 V/1.5 A is suitable for many applications in areas in which space is restricted, as the housing is 12 mm flatter than other comparable solutions.

The electronic short circuit and idling-proof device is connected to single-phase AC networks with nominal voltages of 100 V AC to 240 V AC or to two of the phase conductors of three-phase networks with a linked voltage of this value. In the event of a malfunction, the output voltage is limited to 30 V DC.

Due to the U/I characteristic curve with POWER BOOST, miniature circuit breakers blow reliably. For function monitoring, there is the floating DC OK output and the DC OK LED. High operational reliability is provided by the mains failure bridging time of more than 20 ms under full load. Ambient temperatures can be in the range of -25°C to +70°C, whereby the power reserve of approx. 25% up to 40°C is permanently available.



Danger!

**Components with dangerously high voltage and high stored energy are located in the device!
Never carry out work on live parts!
Depending on the ambient temperature and the load, the housing can become very hot!**



Make sure you always use the the latest documentation.
It can be downloaded at www.download.phoenixcontact.com.
A conversion table is available on the Internet at
www.download.phoenixcontact.com/general/7000_en_00.pdf.

Order data

| Description | Type | Order No. | Pcs./Pkt. |
|---|--------------------------------|-----------|-----------|
| Power supply unit, primary switched-mode | MINI-SYS-PS-100-240AC/24DC/1.5 | 2866983 | 1 |
| Accessories | Type | Order No. | Pcs./Pkt. |
| Bus connector, gold-plated contacts, for mounting on DIN rail, 5-pos. | ME 17,5 TBUS 1,5/ 5-ST-3,81 GN | 2709561 | 10 |

Technical data

| Input data | |
|--|---|
| Input nominal voltage range | 100 V AC ... 240 V AC |
| AC input voltage range | 85 V AC ... 264 V AC |
| AC frequency range | 45 Hz ... 65 Hz |
| Current consumption | Approx. 0.75 A (120 V AC) Approx. 0.45 A (230 V AC) |
| Inrush current limitation/I ² t | < 15 A (0.6 A ² s) |
| Power failure bypass | > 20 ms (120 V AC) > 100 ms (230 V AC) |
| Typical response time | < 0.5 s |
| Protective circuitry | Transient surge protection, varistor |
| Input fuse, integrated | 3.15 A (slow-blow, internal) |
| Recommended backup fuse for mains protection | 6 A (power circuit-breaker, characteristic B) 10 A (power circuit-breaker, characteristic B) 16 A (power circuit-breaker, characteristic B) |
| Output data | |
| Nominal output voltage | 24 V DC ±1% |
| Output current | 1.5 A (up to 60°C) 2 A (with POWER BOOST) |
| Derating | From +60°C 2.5% per Kelvin |
| Output current limit | 7 A (in the event of a short circuit) |
| Max. capacitive load | Unlimited |
| Control deviation | < 1 % (change in load, static 10% ... 90%) < 3 % (change in load, dynamic 10% ... 90%) < 0.1 % (change in input voltage ±10%) |
| Power loss nominal load max. | 12 W |
| Maximum power dissipation idling | 2.5 W |
| Efficiency | > 84 % (for 230 V AC and nominal values) |
| Ascent time | < 2 ms |
| Residual ripple | < 40 mV _{SS} (20 MHz) |
| Peak switching voltages | < 20 mV _{SS} (20 MHz) |
| Connection in parallel | Yes, for redundancy and increased capacity. Maximum of 2 devices for redundancy on DIN rail connector. |
| Surge protection against internal surge voltages | Yes, < 30 V DC |
| Resistance to reverse feed | 35 V DC |

Signal output DC OK floating

| | |
|--------------------|--|
| Output description | $U_{OUT} > 21.5 \text{ V}$: Contact closed |
| Continuous current | 1 A |
| Output voltage | 30 V AC/DC |
| Status display | LED green ($U_{out} > 21,5 \text{ V DC}$: LED permanently lit) |

Standards

| | |
|--|---|
| Electrical Equipment for Machinery | EN 60204 |
| Safety transformers for power supply units | EN 61558-2-17 |
| Electrical safety (of information technology equipment) | EN 60950/VDE 0805 (SELV) UL/C-UL recognized UL 60950 |
| Industrial control equipment | UL/C-UL Listed UL 508 |
| Electronic equipment for use in electrical power installations | EN 50178/VDE 0160 (PELV) |
| SELV | EN 60950 (SELV) and EN 60204 (PELV) |
| Safe isolation | DIN VDE 0100-410 |
| Protection against electric shock, basic requirements for safe isolation in electrical equipment | DIN VDE 0106-101 |
| Limitation of mains harmonic currents | EN 61000-3-2 |

Approvals

| | |
|---|---|
| Granted approvals |  |
| Granted approvals for potentially explosive areas |  |

General data

| | |
|---------------------------------|--|
| Insulation voltage input/output | 3 kV (routine test) 4 kV (type test) |
| Installation position | On horizontal DIN rail NS 35 in acc. with EN 60715 |
| Degree of protection | IP20 |
| Class of protection | II (in an enclosed control cabinet) |
| MTBF | > 500 000 h in acc. with IEC 61709 (SN 29500) |
| Housing version | Polyamide PA, color: green |
| Width | 35 mm |
| Height | 99 mm |
| Depth | 95 mm |
| Weight | 0.25 kg |

Climatic data

| | |
|---|---|
| Ambient temperature (operation) | -25 °C ... 70 °C (> 60°C derating) |
| Ambient temperature (storage/transport) | -40 °C ... 85 °C |
| Max. permissible. relative humidity (operation) | 95 % (at 25°C, no condensation) |
| Vibration (operation) | < 15 Hz, amplitude $\pm 2.5 \text{ mm}$ in acc. with IEC 60068-2-6 15 Hz ... 150 Hz, 2.3g, 90 min. |
| Shock | 30g in all directions in acc. with IEC 60068-2-27 |
| Pollution degree in acc. with EN 50178 | 2 |
| Climatic class | 3K3 (in acc. with EN 60721) |

Conformance with EMC directive 89/336/EEC

Immunity to interference in acc. with EN 61000-6-2

Discharge of static electricity in acc. with EN 61000-4-2

| | |
|-------------------|-------------|
| Housing | Level 3 |
| Contact discharge | 6 kV |
| Discharge in air | 8 kV |
| Comments | Criterion B |

Electromagnetic HF field in acc. with EN 61000-4-3

| | |
|-----------------|------------------|
| Housing | Level 3 |
| Frequency range | 80 MHz ... 2 GHz |
| Field intensity | 10 V/m |
| Comments | Criterion A |

Fast transients (burst) in acc. with EN 61000-4-4

| | |
|----------|--|
| Input | 4 kV (level 4 - asymmetrical: conductor to ground) |
| Output | 2 kV (level 3 - asymmetrical: conductor to ground) |
| Signal | 1 kV (level 2 - asymmetrical: conductor to ground) |
| Comments | Criterion B |

Surge voltage capacities (surge) in acc. with EN 61000-4-5

| | |
|----------|--|
| Input | 4 kV (level 4 - asymmetrical: conductor to ground) |
| | 2 kV (level 4 - symmetrical: conductor to conductor) |
| Output | 0.5 kV (level 1 - asymmetrical: conductor to ground) |
| | 0.5 kV (level 1 - symmetrical: conductor to conductor) |
| Signal | 0.5 kV (level 1 - asymmetrical: conductor to ground) |
| Comments | Criterion B |

Conducted disturbance in acc. with EN 61000-4-6

| | |
|---------------------|------------------------|
| Input/Output/Signal | Level 3 - asymmetrical |
| Frequency range | 0.15 MHz ... 80 MHz |
| Voltage | 10 V |
| Comments | Criterion A |

Voltage dips in acc. with EN 61000-4-11

| | |
|----------|---------------------------|
| Input | (mains buffering > 20 ms) |
| Comments | Criterion B |

Emitted interference in acc. with EN 61000-6-3

Radio interference voltage in acc. with EN 55011 EN 55011 (EN 55022) Class B, area of application: Industry and residential

Emitted radio interference in acc. with EN 55011 EN 55011 (EN 55022) Class B, area of application: Industry and residential

Note:

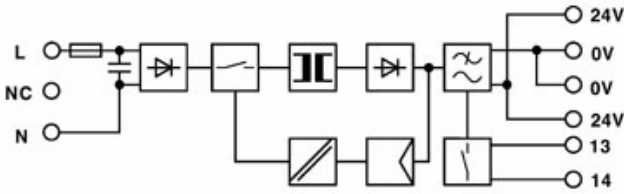
Criterion A: Normal operating behavior within the defined limits.

Criterion B: Temporary impairment to operational behavior that is corrected by the device itself

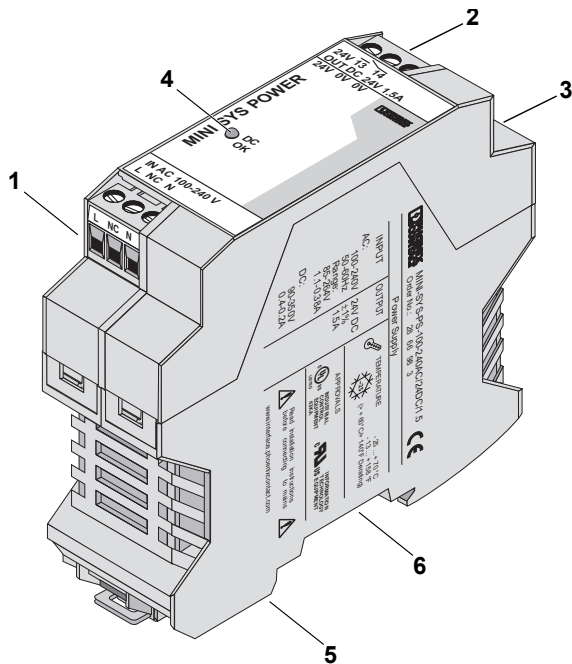
EN 55011 corresponds to CISPR11 / EN 55022 corresponds to CISPR22

EN 61000 corresponds to IEC 1000

Block diagram



Structure



- 1 AC input
- 2 DC output
- 3 DC OK output, floating
- 4 DC OK control lamp
- 5 Universal snap-on foot for EN DIN rails
- 6 Connection option for DIN rail connector

| | [mm ²] | | AWG | [Nm] Torque |
|--------|--------------------|-----------|---------|----------------|
| | solid | stranded | | |
| Input | 0.2 - 2.5 | 0.2 - 2.5 | 24 - 12 | 0.5 - 0.6 |
| Output | 0.2 - 2.5 | 0.2 - 2.5 | 24 - 12 | 0.5 - 0.6 |
| Signal | 0.2 - 2.5 | 0.2 - 2.5 | 24 - 12 | 0.5 - 0.6 |

| Input data | |
|--|---|
| Input nominal voltage range | 100 V AC ... 240 V AC |
| AC input voltage range | 85 V AC ... 264 V AC |
| AC frequency range | 45 Hz ... 65 Hz |
| Input fuse, integrated | 3.15 A (slow-blow, internal) |
| Recommended backup fuse for mains protection | 6 A (power circuit-breaker, characteristic B) 10 A (power circuit-breaker, characteristic B) 16 A (power circuit-breaker, characteristic B) |
| Type of connection | COMBICON screw/plug connection |
| Stripping length | 7 mm |
| Output data | |
| Nominal output voltage | 24 V DC ±1% |
| Output current | 1.5 A (up to 60°C) 2 A (with POWER BOOST) |
| Type of connection | COMBICON screw/plug connection |
| Stripping length | 7 mm |

Safety and warning notes



The power supply units are built-in devices. The device may only be installed and put into operation by qualified personnel. The corresponding national regulations (e.g. VDE, DIN) must be observed.



Danger!

**Components with dangerously high voltage and high stored energy are located in the device!
Never carry out work on live parts!
Depending on the ambient temperature and the load, the housing can become very hot!**



Before startup please ensure:

The mains connection has been carried out by a competent person and protection against electric shock is guaranteed!

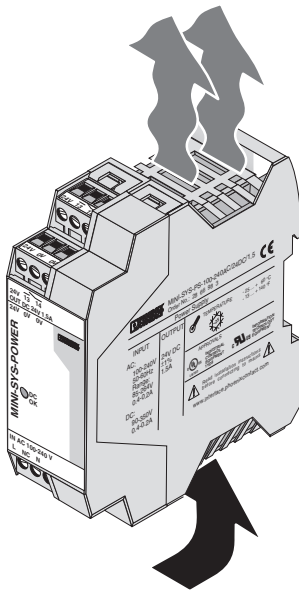
The device can be disconnected outside the power supply unit in accordance with the regulations as in EN 60950 (e.g. through primary side line protection)!

All feed lines are sufficiently protected and dimensioned!

All output lines are dimensioned according to the maximum output current of the device or separately protected!

Sufficient convection is guaranteed!

Installation

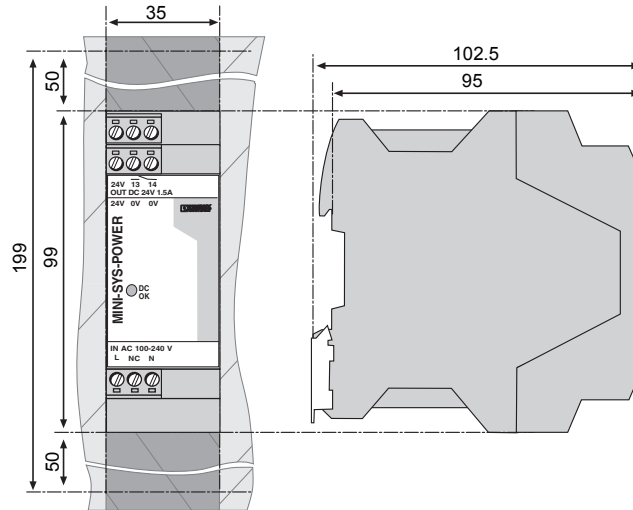


In order to guarantee sufficient convection, we recommend observing the following minimum distance to other modules: 5 cm in a vertical direction and 0 cm in a horizontal direction.

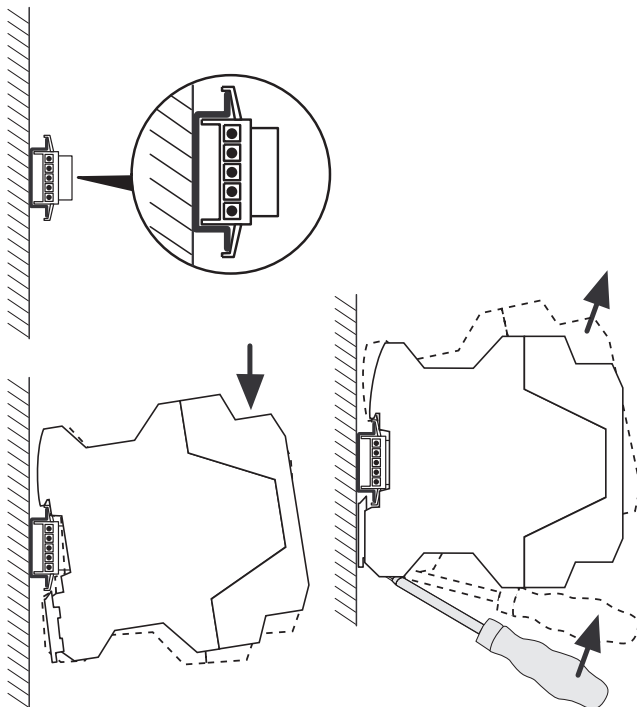


The power supply unit can be snapped onto all DIN rails in acc. with EN 60715. They must be horizontal (connecting terminal blocks above and below).

Installation position



Installation: Installation depth 95 mm (+ DIN rail)



Assembly

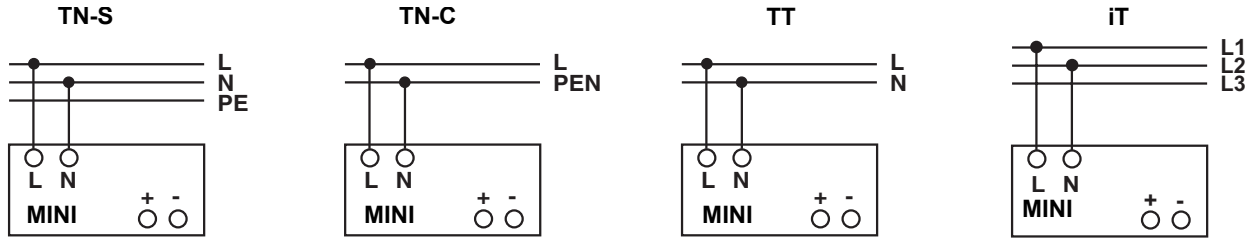
When the DIN rail connector ME 17,5 TBUS (Order no. 2709561, 2x required) is used, place this in the DIN rail first.

Position the module with the DIN rail guide on the upper edge of the DIN rail, and snap it in with a downward motion.

Dismantling

Pull the snap lever open with the aid of a screwdriver and slide the module out at the lower edge of the DIN rail.

Connection, network forms 100...240 V AC networks

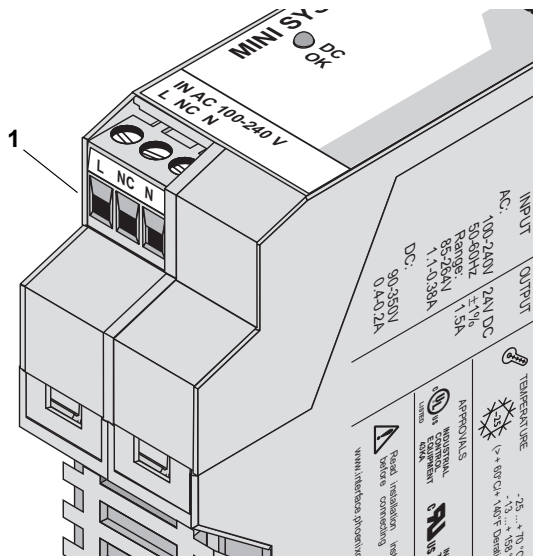


The 100...240 V AC connection is made using the L and N screw connections.
 The device can be connected to 1-phase AC systems or to two of the phase conductors of three-phase systems (TN, TT or IT networks in acc. with VDE 0100-300/IEC 60364-3) with nominal voltages of 100 V AC ...240 V AC.



For operation on two of the phase conductors of a three-phase system, an isolating facility for all poles must be provided.

Input



Protection of the primary side

The device must be installed in acc. with the regulations as in EN 60950. It must be possible to disconnect the device using a suitable isolating facility outside the power supply. The primary side line protection, for example, is suitable. For device protection, there is an internal fuse. Additional device protection is not necessary.

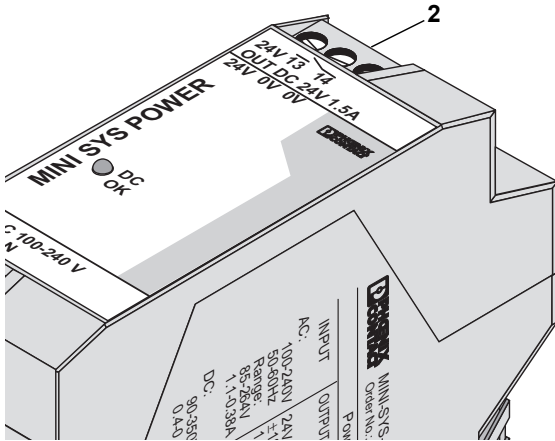
Recommended backup fuse for mains protection

Power circuit-breaker 6 A, 10 A or 16 A, characteristic B (or identical function).



If an internal fuse is triggered, there is most probably a malfunction in the device. In this case, the device must be inspected in the factory!

Output



Make sure that all output lines are dimensioned according to the maximum output current or are separately protected. The cables on the secondary side must have sufficiently large cross sections in order to keep the voltage drops on the lines as low as possible.

They are connected using the "24 V" and "0 V" screw connections on the screw connection of the DC output and via the DIN rail connector.

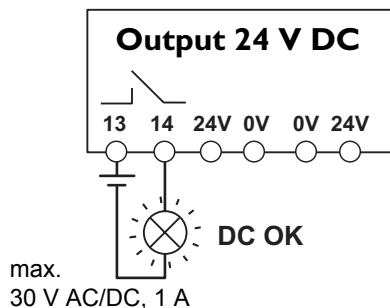
Protection of the secondary side

The device is electronically protected against short circuit and idling. In the event of a malfunction, the output voltage is limited to 30 V DC.

Signaling

For function monitoring, there is the floating DC OK switching output and the DC OK LED.

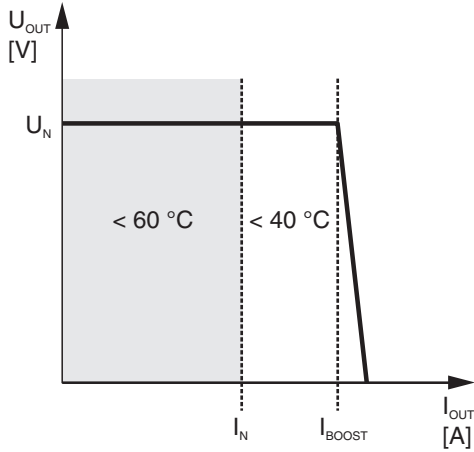
| | State 1 | State 2 |
|-----------------------|---|---|
| DC OK LED | ON | OFF |
| Floating DC OK output | Closed | Open |
| Meaning | Normal operation of the power supply ($U_{OUT} > 21.5 \text{ V}$) | 1. The output voltage is less than 21.5 V. There is a secondary consumer short circuit or overload. 2. There is no input voltage or there is a device fault. |



Floating contact

The floating signal contact opens and signalizes a drop in the output voltage of 21.5 V. Signals and ohmic loads of up to 30 V and currents of up to 1 A can be connected. For heavily inductive loads such as a relay, a suitable protection circuit (e.g. damping diode) is necessary.

Function



Output characteristic curve

The device can supply a nominal output current of 1.5 A with ambient temperatures of up to 60°C. At an ambient temperature of up to 40°C, the device supplies a continuous output current of 2 A. At temperatures up to 60°C, the POWER BOOST provides a transient output current of 2 A for a few minutes. In the event of a higher load, the operating point follows the U/I characteristic curve depicted in the figure.

In the case of overload or short-circuit, the full output current I_{BOOST} is supplied permanently with reduced output voltage, the device does not switch off. As soon as the overload or short-circuit is no longer present, the full secondary voltage is once again available.

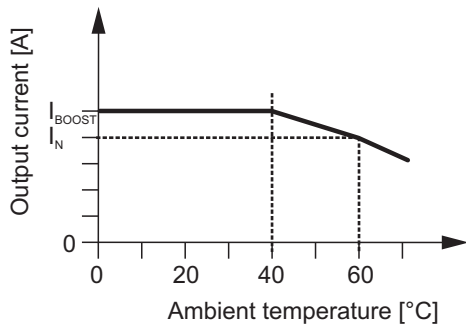
The U/I characteristic curve ensures that both heavily capacitive loads and devices with DC/DC converters in the primary circuit can be fed without problems using MINI POWER.

Downstream fuses are triggered reliably. Selectivity in the design of your system is guaranteed at all times.

$U_N = 24\text{ V}$

$I_N = 1.5\text{ A}$

$I_{BOOST} = 2\text{ A}$



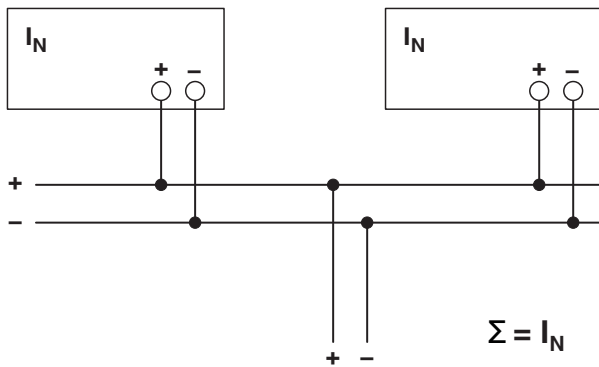
Thermal behavior

With an ambient temperature of up to +60°C, the device supplies the continuous output current of I_N . In the case of ambient temperatures above +60°C, the output current must be reduced by 2.5% per Kelvin increase in temperature. The device does not switch off at ambient temperatures of +70°C or thermal overload. The output capacity is reduced as far as necessary to provide device protection. After it has cooled down, the output capacity is increased again.

Parallel operation

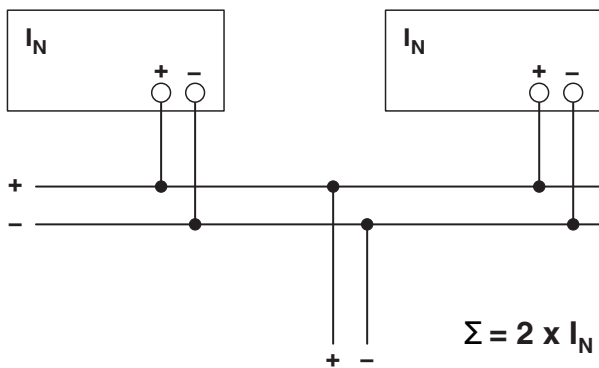
Due to the current carrying capacity, a maximum of two devices may be connected in parallel on the DIN rail connector for redundancy. Without using the DIN rail connector, devices of the same type can be connected in parallel both for redundancy reasons as well as to improve performance.

To ensure symmetrical distribution of power, we recommend designing all cable connections from the power supply unit to a busbar of the same length and with the same conductor cross section. The system makes it advisable to install a protective circuit at the output of each device when more than two power supply units are connected in parallel (e.g. decoupling diode or DC fuse). This prevents high reverse feed currents in the event of a secondary device fault.



Redundant operation

Redundant circuits are suitable for the supply of systems which make especially high requirements on the operational safety. If a fault occurs in the primary circuit of the first power supply unit, the second device automatically takes over the entire power supply, without interruption, and vice versa. For this reason, the power supply units to be connected in parallel are dimensioned in such a way that the total current requirement of all consumers can be completely covered by one power supply unit. 100% redundancy makes external decoupling diodes necessary (QUINT-DIODE/40, Order No. 2938963)!



Increased performance

For n parallel connected devices, the output current can be increased to $n \times I_N$. Parallel connection to increase efficiency is used for the expansion of existing systems. It is advisable to use parallel connection if the power supply unit does not cover the current requirement of the most powerful consumer. Otherwise the consumers should be spread among individual devices independent of one another. A maximum of five devices can be connected in parallel!



Компания «ЭлектроПласт» предлагает заключение долгосрочных отношений при поставках импортных электронных компонентов на взаимовыгодных условиях!

Наши преимущества:

- Оперативные поставки широкого спектра электронных компонентов отечественного и импортного производства напрямую от производителей и с крупнейших мировых складов;
- Поставка более 17-ти миллионов наименований электронных компонентов;
- Поставка сложных, дефицитных, либо снятых с производства позиций;
- Оперативные сроки поставки под заказ (от 5 рабочих дней);
- Экспресс доставка в любую точку России;
- Техническая поддержка проекта, помощь в подборе аналогов, поставка прототипов;
- Система менеджмента качества сертифицирована по Международному стандарту ISO 9001;
- Лицензия ФСБ на осуществление работ с использованием сведений, составляющих государственную тайну;
- Поставка специализированных компонентов (Xilinx, Altera, Analog Devices, Intersil, Interpoint, Microsemi, Aeroflex, Peregrine, Syfer, Eurofarad, Texas Instrument, Miteq, Cobham, E2V, MA-COM, Hittite, Mini-Circuits, General Dynamics и др.);

Помимо этого, одним из направлений компании «ЭлектроПласт» является направление «Источники питания». Мы предлагаем Вам помощь Конструкторского отдела:

- Подбор оптимального решения, техническое обоснование при выборе компонента;
- Подбор аналогов;
- Консультации по применению компонента;
- Поставка образцов и прототипов;
- Техническая поддержка проекта;
- Защита от снятия компонента с производства.



Как с нами связаться

Телефон: 8 (812) 309 58 32 (многоканальный)

Факс: 8 (812) 320-02-42

Электронная почта: org@eplast1.ru

Адрес: 198099, г. Санкт-Петербург, ул. Калинина, дом 2, корпус 4, литера А.