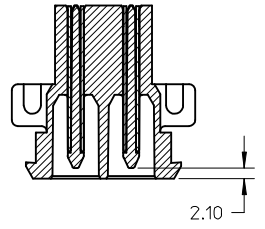
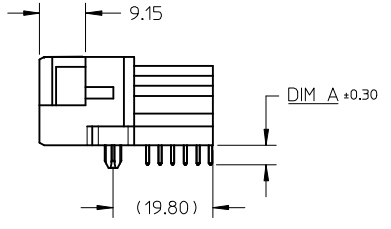
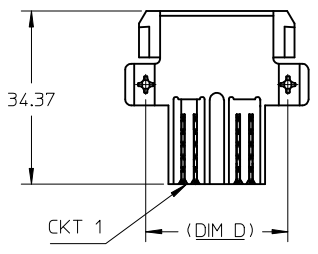
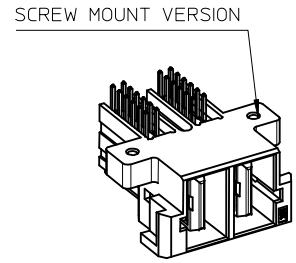


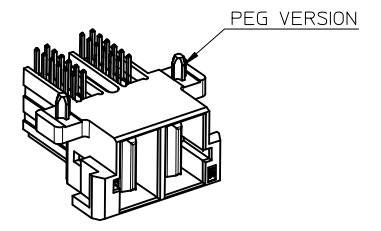
PEG MOUNT OPTIONS



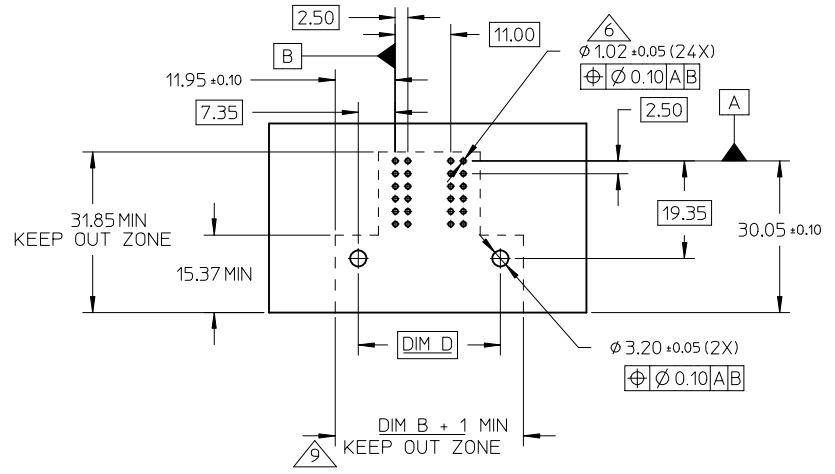
SECTION Z-Z



P/N/O: 151035-1***



P/N/O: 151035-0***



RECOMMENDED PCB LAYOUT (COMPONENT SIDE)

- NOTE:
- MATERIAL:
HOUSING: LCP, UL 94V-0. COLOR: BLACK
TERMINALS: COPPER ALLOY
 - PLATING:
30µ IN GOLD ON CONTACT AREA
100µ IN TIN IN THE PC TAIL AREA OVER
50µ IN NICKEL OVERALL UNDERPLATE
 - PRODUCT SPECIFICATION: PS-151053-0001
 - PARTS TO BE PACKED PER PACKAGING SPEC: PK-151035-0001
 - MATING WITH CRIMP: 46819, RECEPTACLE HOUSING SERIES 151034
 - PCB HOLES TO BE PLATED THRU HOLES.
 - CONTACTS ARE LUBRICATED.
 - RECOMMENDED SCREW: 2-32 TYPE AB X 0.300" (FOR 1.60MM PCB)
2-32 TYPE AB X 0.375" (FOR 2.36 & 3.18MM PCB)
SCREWS ARE SOLD SEPARATELY.
 - KEEP-OUT ZONE DOES NOT TAKE FINGER SPACING INTO ACCOUNT.
PLEASE MAKE SURE TO LEAVE APPROPRIATE CLEARANCE BETWEEN
LATCHES AND ADJACENT PRODUCT FOR PROPER LATCH FUNCTION.

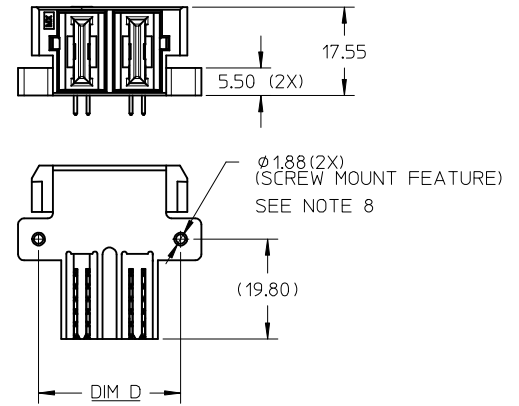
| | | |
|--|-----------------|-------------|
| + SCREW MT OPTIONS EC NO: S2015-1142 DRWN:CGOH 2015/04/08 CHK:DEANG 2015/06/17 APPR:KHLIM 2015/06/17 | QUALITY SYMBOLS | DESCRIPTION |
| | $F_A=0$ | |
| | $F_G=0$ | |
| | $F_P=0$ | |
| REV | | |

| | |
|--|--------------|
| GENERAL TOLERANCES (UNLESS SPECIFIED) | |
| | mm INCH |
| 4 PLACES | ± --- ± --- |
| 3 PLACES | ± --- ± --- |
| 2 PLACES | ± 0.25 ± --- |
| 1 PLACE | ± 0.25 ± --- |
| 0 PLACE | ± --- ± --- |
| ANGULAR ± 3 ° | |
| DRAFT WHERE APPLICABLE MUST REMAIN WITHIN DIMENSIONS | |

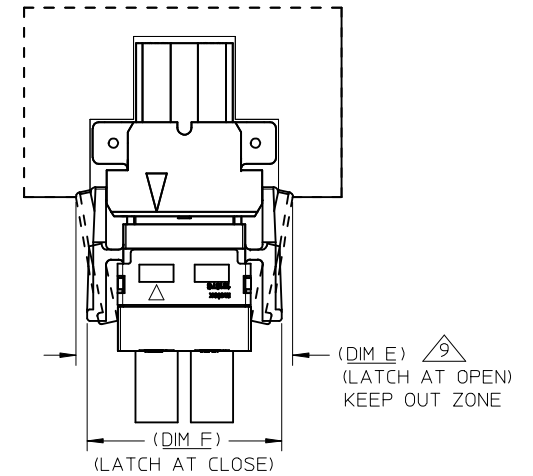
| | |
|-----------------|------------|
| DIMENSION STYLE | |
| MM ONLY | |
| DRAWN BY | DATE |
| CGOH | 2014/04/23 |
| CHECKED BY | DATE |
| EANG | 2014/10/21 |
| APPROVED BY | DATE |
| KHLIM | 2014/10/22 |
| MATERIAL NO. | |
| SEE TABLE | |
| SIZE | |
| A3 | |

| | | |
|---|----------------|------------------------|
| SCALE | DESIGN UNITS | THIRD ANGLE PROJECTION |
| NTS | METRIC | |
| TITLE | | |
| GUARDIAN II RA PLUG ASSEMBLY 2 - 6 CKTS | | |
| molex | | |
| MATERIAL NO. | DOCUMENT NO. | SHEET NO. |
| | SD-151035-0001 | 1 OF 2 |
| THIS DRAWING CONTAINS INFORMATION THAT IS PROPRIETARY TO MOLEX INCORPORATED AND SHOULD NOT BE USED WITHOUT WRITTEN PERMISSION | | |

| CKT SIZE | PART NO. | DIM A PC TAIL | PC BOARD THICKNESS | PC TAIL TYPE | GUIDE OPTION | DIM B | DIM C | DIM D | DIM E | DIM F |
|-------------|-------------|------------------|-----------------------|-----------------|-----------------|-------|-------|-------|-------|-------|
| 2 CKT | 151035-0002 | 3.86±0.30 | 2.36 | SOLDER TAIL | PEG | 36.40 | 30.84 | 28.20 | 43.20 | 38.60 |
| | 151035-0012 | 4.69±0.30 | 3.18 | | | | | | | |
| | 151035-0022 | 3.28±0.30 | 1.60 | COMPLIANT PIN | | | | | | |
| | 151035-1002 | 3.86±0.30 | 2.36 | SOLDER TAIL | SCREW MOUNT | | | | | |
| | 151035-1012 | 4.69±0.30 | 3.18 | | | | | | | |
| 151035-1022 | 3.28±0.30 | 1.60 | COMPLIANT PIN | | | | | | | |
| 3 CKT | 151035-0003 | 3.86±0.30 | 2.36 | SOLDER TAIL | PEG | 47.40 | 41.84 | 39.20 | 54.20 | 49.60 |
| | 151035-0013 | 4.69±0.30 | 3.18 | | | | | | | |
| | 151035-0023 | 3.28±0.30 | 1.60 | COMPLIANT PIN | | | | | | |
| | 151035-1003 | 3.86±0.30 | 2.36 | SOLDER TAIL | SCREW MOUNT | | | | | |
| | 151035-1013 | 4.69±0.30 | 3.18 | | | | | | | |
| 151035-1023 | 3.28±0.30 | 1.60 | COMPLIANT PIN | | | | | | | |
| 4 CKT | 151035-0004 | 3.86±0.30 | 2.36 | SOLDER TAIL | PEG | 58.40 | 52.84 | 50.20 | 65.20 | 60.60 |
| | 151035-0014 | 4.69±0.30 | 3.18 | | | | | | | |
| | 151035-0024 | 3.28±0.30 | 1.60 | COMPLIANT PIN | | | | | | |
| | 151035-1004 | 3.86±0.30 | 2.36 | SOLDER TAIL | SCREW MOUNT | | | | | |
| | 151035-1014 | 4.69±0.30 | 3.18 | | | | | | | |
| 151035-1024 | 3.28±0.30 | 1.60 | COMPLIANT PIN | | | | | | | |
| 5 CKT | 151035-0005 | 3.86±0.30 | 2.36 | SOLDER TAIL | PEG | 69.40 | 63.84 | 61.20 | 76.20 | 71.60 |
| | 151035-0015 | 4.69±0.30 | 3.18 | | | | | | | |
| | 151035-0025 | 3.28±0.30 | 1.60 | COMPLIANT PIN | | | | | | |
| | 151035-1005 | 3.86±0.30 | 2.36 | SOLDER TAIL | SCREW MOUNT | | | | | |
| | 151035-1015 | 4.69±0.30 | 3.18 | | | | | | | |
| 151035-1025 | 3.28±0.30 | 1.60 | COMPLIANT PIN | | | | | | | |
| 6 CKT | 151035-0006 | 3.86±0.30 | 2.36 | SOLDER TAIL | PEG | 80.40 | 74.84 | 72.20 | 87.20 | 82.60 |
| | 151035-0016 | 4.69±0.30 | 3.18 | | | | | | | |
| | 151035-0026 | 3.28±0.30 | 1.60 | COMPLIANT PIN | | | | | | |
| | 151035-1006 | 3.86±0.30 | 2.36 | SOLDER TAIL | SCREW MOUNT | | | | | |
| | 151035-1016 | 4.69±0.30 | 3.18 | | | | | | | |
| 151035-1026 | 3.28±0.30 | 1.60 | COMPLIANT PIN | | | | | | | |



SCREW MOUNT OPTIONS



CONNECTOR ASSEMBLY WITH RECEPTACLE CABLE.

| QUALITY SYMBOLS | GENERAL TOLERANCES (UNLESS SPECIFIED) | | DIMENSION STYLE | | SCALE | DESIGN UNITS | THIRD ANGLE PROJECTION | |
|--|---------------------------------------|--------|-----------------|-------------|---|---------------------|------------------------|--|
| | mm | INCH | MM ONLY | TITLE | 1:1 | METRIC | | |
| $F_A=0$ | 4 PLACES | ± --- | ± --- | DRAWN BY | DATE | GUARDIAN II | | |
| $F_G=0$ | 3 PLACES | ± --- | ± --- | CGOH | 2014/04/23 | RA PLUG ASSEMBLY | | |
| $F_P=0$ | 2 PLACES | ± 0.25 | ± --- | CHECKED BY | DATE | 2 - 6 CKTS | | |
| | 1 PLACE | ± 0.25 | ± --- | EANG | 2014/10/21 | molex | | |
| | 0 PLACE | ± --- | ± --- | APPROVED BY | DATE | SD-151035-0001 | | |
| | ANGULAR ± 3 ° | | | KHL IM | 2014/10/22 | DOCUMENT NO. 2 OF 2 | | |
| DRAFT WHERE APPLICABLE MUST REMAIN WITHIN DIMENSIONS | | | SEE TABLE | | THIS DRAWING CONTAINS INFORMATION THAT IS PROPRIETARY TO MOLEX INCORPORATED AND SHOULD NOT BE USED WITHOUT WRITTEN PERMISSION | | | |



Компания «ЭлектроПласт» предлагает заключение долгосрочных отношений при поставках импортных электронных компонентов на взаимовыгодных условиях!

Наши преимущества:

- Оперативные поставки широкого спектра электронных компонентов отечественного и импортного производства напрямую от производителей и с крупнейших мировых складов;
- Поставка более 17-ти миллионов наименований электронных компонентов;
- Поставка сложных, дефицитных, либо снятых с производства позиций;
- Оперативные сроки поставки под заказ (от 5 рабочих дней);
- Экспресс доставка в любую точку России;
- Техническая поддержка проекта, помощь в подборе аналогов, поставка прототипов;
- Система менеджмента качества сертифицирована по Международному стандарту ISO 9001;
- Лицензия ФСБ на осуществление работ с использованием сведений, составляющих государственную тайну;
- Поставка специализированных компонентов (Xilinx, Altera, Analog Devices, Intersil, Interpoint, Microsemi, Aeroflex, Peregrine, Syfer, Eurofarad, Texas Instrument, Miteq, Cobham, E2V, MA-COM, Hittite, Mini-Circuits, General Dynamics и др.);

Помимо этого, одним из направлений компании «ЭлектроПласт» является направление «Источники питания». Мы предлагаем Вам помощь Конструкторского отдела:

- Подбор оптимального решения, техническое обоснование при выборе компонента;
- Подбор аналогов;
- Консультации по применению компонента;
- Поставка образцов и прототипов;
- Техническая поддержка проекта;
- Защита от снятия компонента с производства.



Как с нами связаться

Телефон: 8 (812) 309 58 32 (многоканальный)

Факс: 8 (812) 320-02-42

Электронная почта: org@eplast1.ru

Адрес: 198099, г. Санкт-Петербург, ул. Калинина, дом 2, корпус 4, литера А.