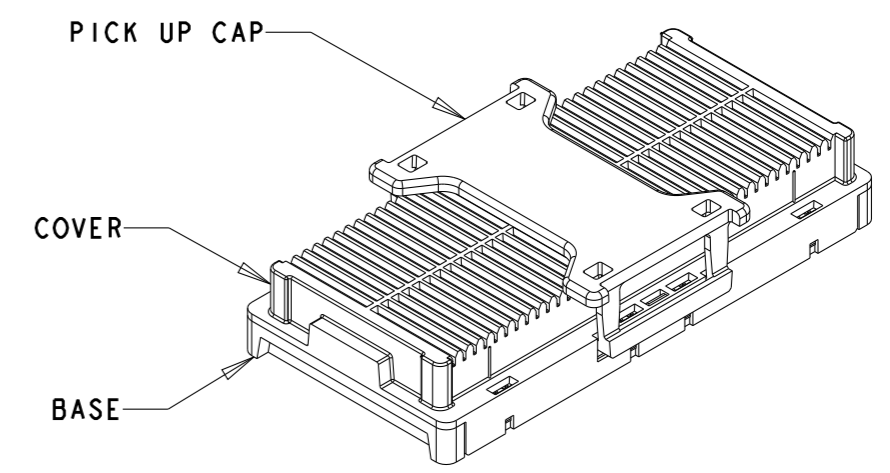
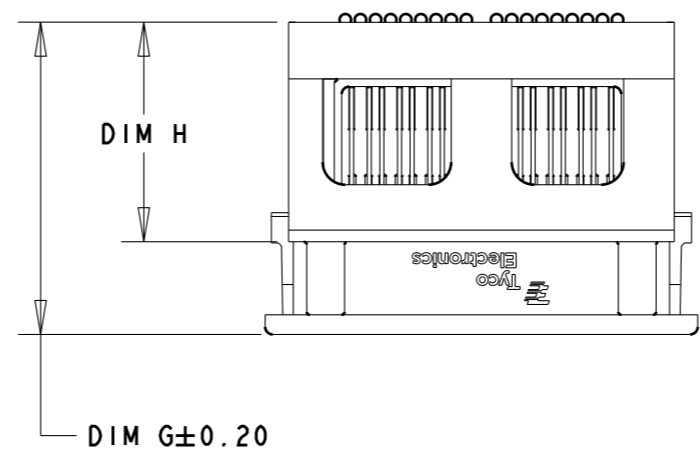
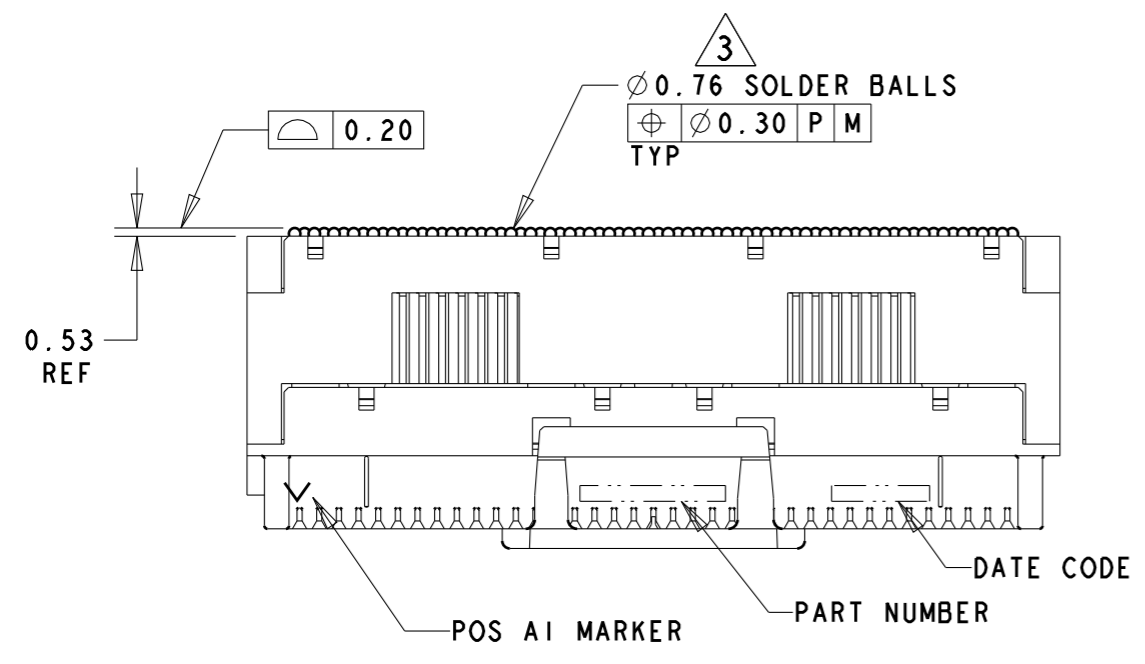


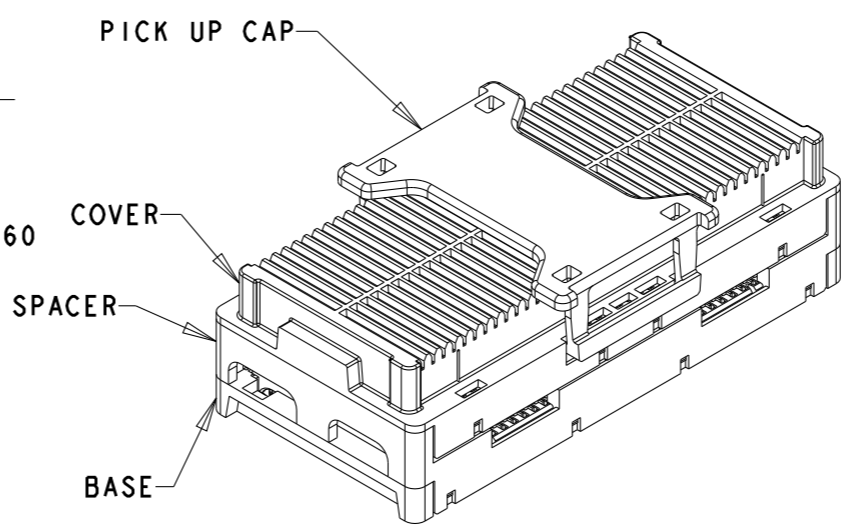
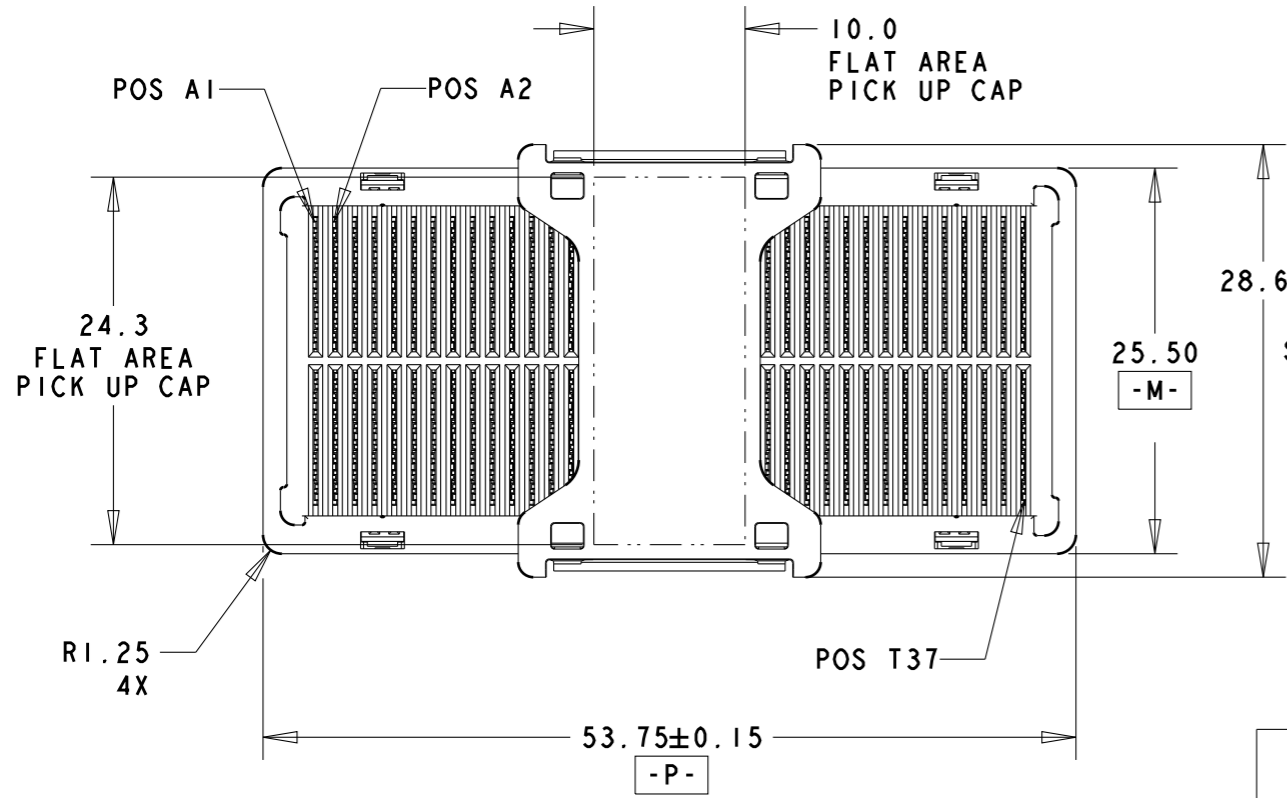
THIS DRAWING IS UNPUBLISHED. RELEASED FOR PUBLICATION 20
 © COPYRIGHT 20 BY TYCO ELECTRONICS CORPORATION, ALL RIGHTS RESERVED.

LOC DY	DIST -	REVISIONS		
P	LTR	DESCRIPTION	DATE	DWN
	B4	REVISED PER ECR-10-013879	01JUL2010	SYJ
				APVD LSF

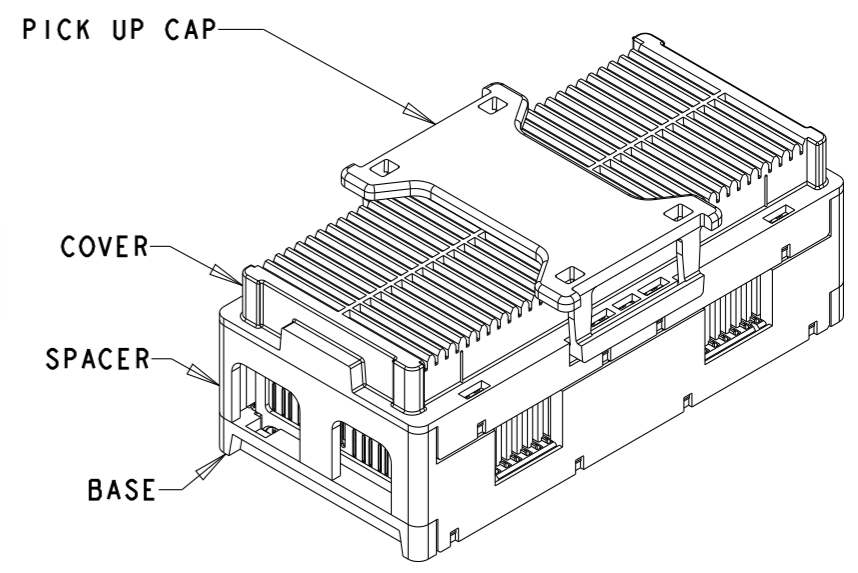


TYPICAL ASSEMBLY
 15mm SHOWN
 SCALE 2:1

ISOMETRIC VIEW
 TYPICAL CONFIGURATION
 FOR 5mm ASSEMBLY
 SCALE 3:2



ISOMETRIC VIEW
 TYPICAL CONFIGURATION
 FOR 11mm ASSEMBLY
 SCALE 3:2



ISOMETRIC VIEW
 TYPICAL CONFIGURATION
 FOR 15mm ASSEMBLY
 SCALE 3:2

<small>THIS DRAWING IS A CONTROLLED DOCUMENT FOR TYCO ELECTRONICS CORPORATION IT IS SUBJECT TO CHANGE AND THE CONTROLLING ENGINEERING ORGANIZATION SHOULD BE CONTACTED FOR THE LATEST REVISION.</small>		DWN P BRANDBERG 11 JAN05 CHK D WERTZ 12 JAN05 APVD D WERTZ 12 JAN05	Tyco Electronics Tyco Electronics Singapore
DIMENSIONS: mm	TOLERANCES UNLESS OTHERWISE SPECIFIED: 0 PLC ± 1 PLC ±0.3 2 PLC ±0.10 3 PLC ±0.050 4 PLC ± ANGLES ±2°	NAME STEP-Z RECEPTACLE ASSEMBLY, 296 SIGNAL POSITION	RESTRICTED TO -
MATERIAL 1	FINISH 2	PRODUCT SPEC 108-2143 APPLICATION SPEC 114-13101 WEIGHT	SIZE A3 CAGE CODE 00779 DRAWING NO C-1761617
CUSTOMER DRAWING		SCALE -	SHEET 1 OF 4 REV B4

THIS DRAWING IS UNPUBLISHED.

RELEASED FOR PUBLICATION

20

© COPYRIGHT 20

BY TYCO ELECTRONICS CORPORATION, ALL RIGHTS RESERVED.

LOC
DY

DIST
-

REVISIONS

P	LTR	DESCRIPTION	DATE	DWN	APVD
-	-	SEE SHEET 1	-	-	-

1 MATERIAL:
 BASE, SPACER, COVER: THERMOPLASTIC
 PICK UP CAP: THERMOPLASTIC
 CONTACT: COPPER ALLOY
 SOLDER BALL: Sn/Pb FOR P/N 1761617-1 THRU 5-1761617-0
 Sn/Ag FOR P/N 5-1761617-1 THRU 9-1761617-9

2 FINISH:
 CONTACT: 0.00076 MIN GOLD OVER 0.00127 MIN NICKEL.
 (30µ" MIN GOLD OVER 50µ" MIN NICKEL)

3 SOLDER BALLS WILL NOT BE PERFECT
 SPHERICAL SHAPE DUE TO REFLOW ATTACHMENT.


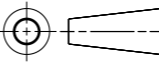
4 CONTACTS IN ROWS A,C,E,G,J,K,M,P,R, AND T
 ARE SINGLE BEAM CONTACTS,
 TYPICALLY USED AS GROUND PINS.
 (NOTE: CONTACTS IN ROWS J & K ARE TIED
 TOGETHER [COMMONED]).

5 CONTACTS IN ROWS B,D,F,H,L,N,O, AND S
 ARE DUAL BEAM CONTACTS,
 TYPICALLY USED AS SIGNAL PINS.

6 SPECIFIED POSITIONAL TOLERANCE DEFINES PAD TO PAD
 LOCATION WITHIN LAND PATTERN. POSITIONAL TOLERANCE
 OF LAND PATTERN TO FUDICIAL MARKS OR PCB DATUMS
 SHALL BE DEFINED BY CUSTOMER. FOR RECOMMENDED
 PRODUCT APPLICATION AND PCB DESIGN DETAILS, SEE
 APPLICATION SPEC 114-13101.

DIM H	DIM G	LOAD STYLE	DESCRIPTION	PART NUMBER
14.51	20.65	-	15mm Sn/Ag	6-1761617-5
10.51	16.65	-	11mm Sn/Ag	6-1761617-1
4.51	10.65	-	5mm Sn/Ag	5-1761617-5
14.51	20.65	-	15mm Sn/Pb	1-1761617-5
10.51	16.65	-	11mm Sn/Pb	1-1761617-1
4.51	10.65	-	5mm Sn/Pb	1761617-5

THIS DRAWING IS A CONTROLLED DOCUMENT FOR TYCO ELECTRONICS CORPORATION
 IT IS SUBJECT TO CHANGE AND THE CONTROLLING ENGINEERING ORGANIZATION
 SHOULD BE CONTACTED FOR THE LATEST REVISION.

DIMENSIONS: mm	TOLERANCES UNLESS OTHERWISE SPECIFIED: 0 PLC ±. 1 PLC ±0.3 2 PLC ±0.10 3 PLC ±0.050 4 PLC ±. ANGLES ±2°	DWN P BRANDBERG 11 JAN05	 Tyco Electronics Singapore
	MATERIAL -	CHK D WERTZ 12 JAN05	
	FINISH -	APVD D WERTZ 12 JAN05	
		PRODUCT SPEC -	NAME STEP-Z RECEPTACLE ASSEMBLY, 296 SIGNAL POSITION
		APPLICATION SPEC -	SIZE CAGE CODE DRAWING NO RESTRICTED TO
		WEIGHT -	A300779 C-1761617
		CUSTOMER DRAWING	SCALE - SHEET 2 OF 4 REV B4

THIS DRAWING IS UNPUBLISHED.

RELEASED FOR PUBLICATION

20

© COPYRIGHT 20

BY TYCO ELECTRONICS CORPORATION, ALL RIGHTS RESERVED.

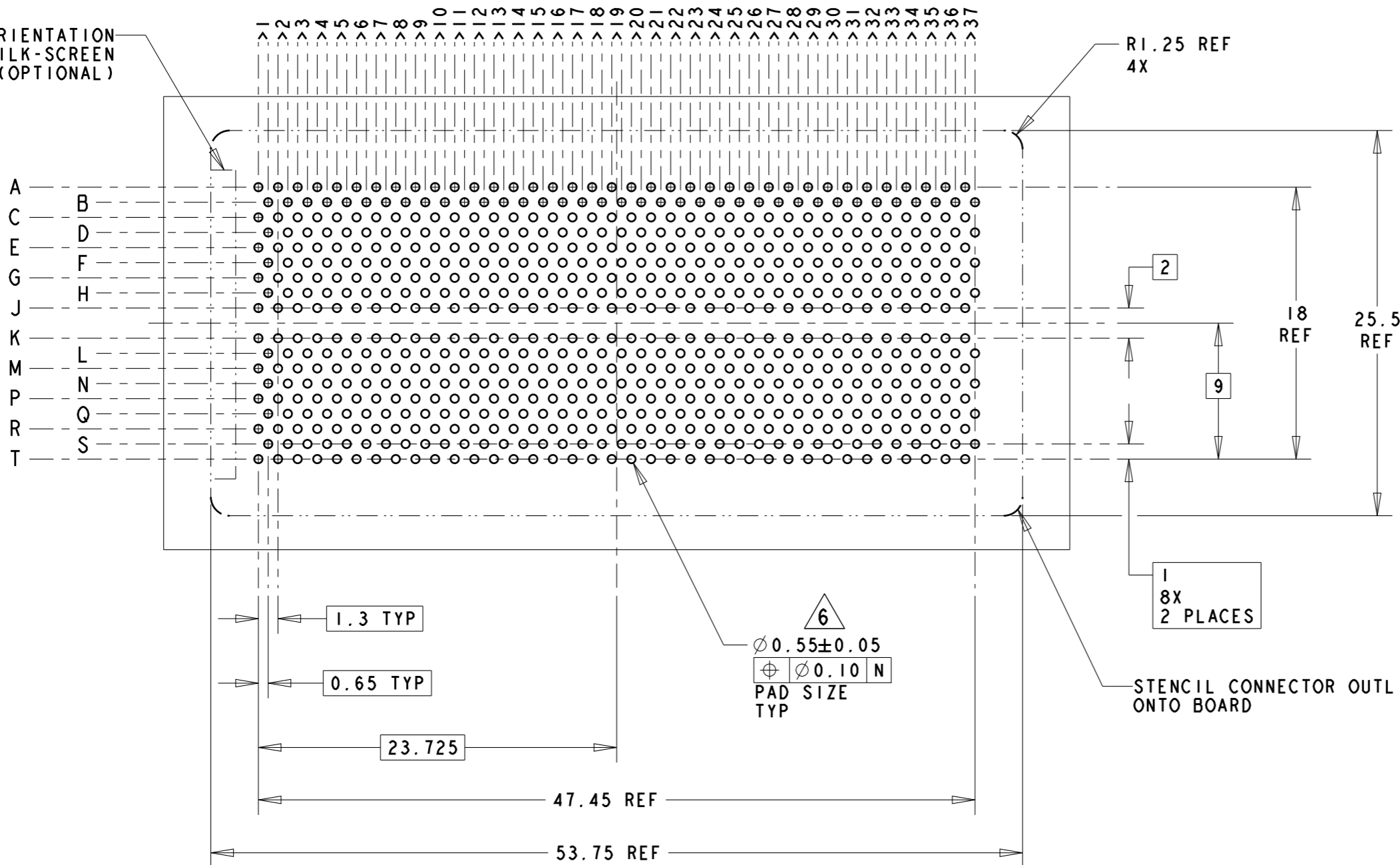
LOC
DY

DIST
-

REVISIONS

P	LTR	DESCRIPTION	DATE	DWN	APVD
-	-	SEE SHEET 1	-	-	-

KEY ORIENTATION
SILK-SCREEN
(OPTIONAL)



4 5 BOARD PATTERN
SCALE 3:1

THIS DRAWING IS A CONTROLLED DOCUMENT FOR TYCO ELECTRONICS CORPORATION
IT IS SUBJECT TO CHANGE AND THE CONTROLLING ENGINEERING ORGANIZATION
SHOULD BE CONTACTED FOR THE LATEST REVISION.

DIMENSIONS:	TOLERANCES UNLESS OTHERWISE SPECIFIED:
mm	
	0 PLC ±-
	1 PLC ±0.3
	2 PLC ±0.10
	3 PLC ±0.050
	4 PLC ±-
	ANGLES ±2°
MATERIAL -	FINISH -

DWN	P BRANDBERG	11 JAN05
CHK	D WERTZ	12 JAN05
APVD	D WERTZ	12 JAN05
PRODUCT SPEC	-	-
APPLICATION SPEC	-	-
WEIGHT	-	-
CUSTOMER DRAWING		

		Tyco Electronics Singapore	
NAME STEP-Z RECEPTACLE ASSEMBLY, 296 SIGNAL POSITION			
SIZE	CAGE CODE	DRAWING NO	RESTRICTED TO
A3	00779	C-1761617	-
SCALE -		SHEET 3 OF 4	REV B4

THIS DRAWING IS UNPUBLISHED.

RELEASED FOR PUBLICATION

20

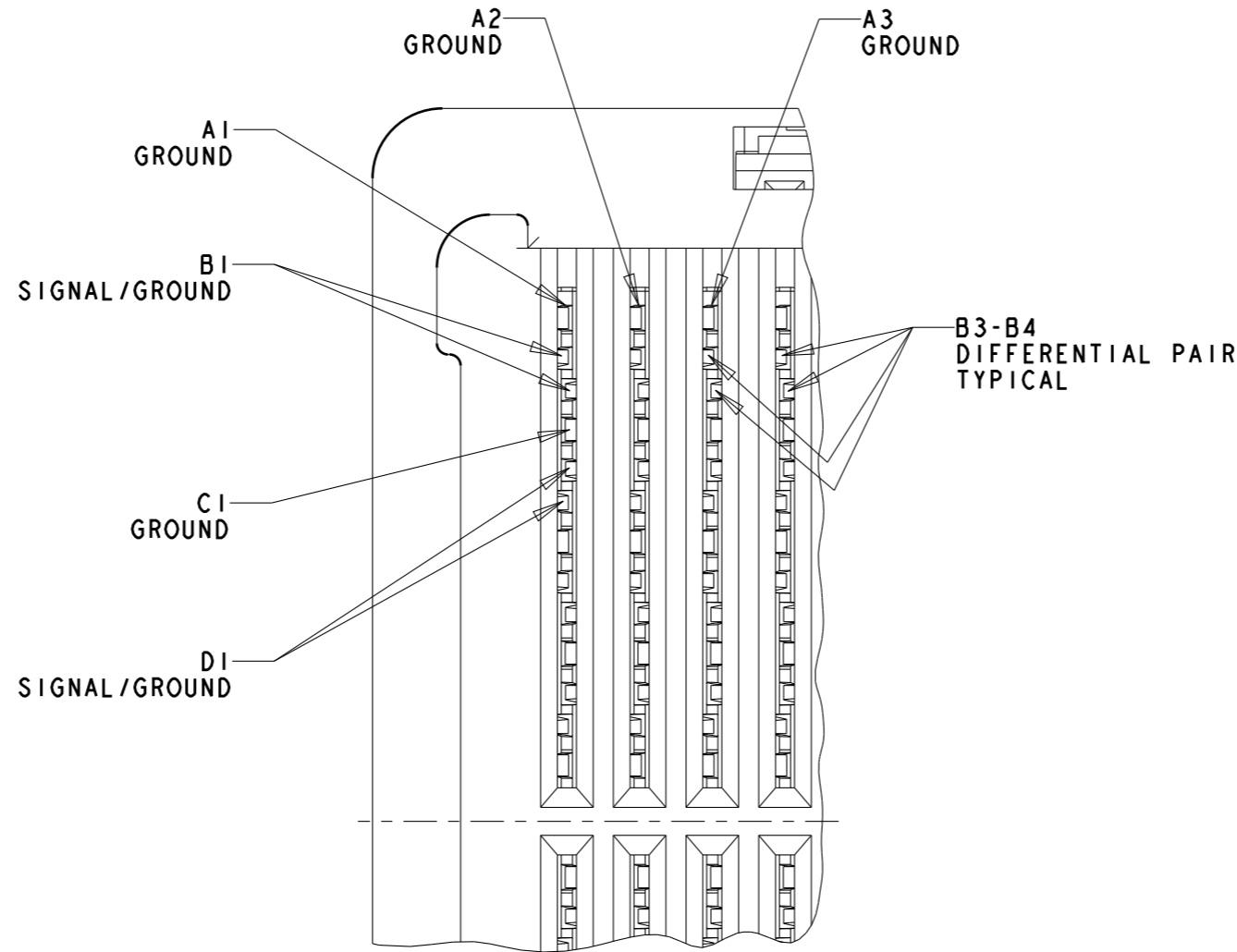
LOC
DY

DIST
-

REVISIONS

© COPYRIGHT 20 BY TYCO ELECTRONICS CORPORATION, ALL RIGHTS RESERVED.

P	LTR	DESCRIPTION	DATE	DWN	APVD
-	-	SEE SHEET 1	-	-	-



RECEPTACLE INTERFACE
SCALE 8:1

THIS DRAWING IS A CONTROLLED DOCUMENT FOR TYCO ELECTRONICS CORPORATION
IT IS SUBJECT TO CHANGE AND THE CONTROLLING ENGINEERING ORGANIZATION
SHOULD BE CONTACTED FOR THE LATEST REVISION.

DIMENSIONS: mm		TOLERANCES UNLESS OTHERWISE SPECIFIED:	
		0 PLC	±
		1 PLC	±0.3
		2 PLC	±0.10
		3 PLC	±0.050
		4 PLC	±
MATERIAL		FINISH	ANGLES ±2°

DWN	P BRANDBERG	11 JAN05
CHK	D WERTZ	12 JAN05
APVD	D WERTZ	12 JAN05
PRODUCT SPEC	-	
APPLICATION SPEC	-	
WEIGHT	-	
CUSTOMER DRAWING		

		Tyco Electronics Singapore	
NAME STEP-Z RECEPTACLE ASSEMBLY, 296 SIGNAL POSITION			
SIZE	CAGE CODE	DRAWING NO	RESTRICTED TO
A3	00779	C-1761617	-
SCALE -		SHEET 4 OF 4	REV B4



Компания «ЭлектроПласт» предлагает заключение долгосрочных отношений при поставках импортных электронных компонентов на взаимовыгодных условиях!

Наши преимущества:

- Оперативные поставки широкого спектра электронных компонентов отечественного и импортного производства напрямую от производителей и с крупнейших мировых складов;
- Поставка более 17-ти миллионов наименований электронных компонентов;
- Поставка сложных, дефицитных, либо снятых с производства позиций;
- Оперативные сроки поставки под заказ (от 5 рабочих дней);
- Экспресс доставка в любую точку России;
- Техническая поддержка проекта, помощь в подборе аналогов, поставка прототипов;
- Система менеджмента качества сертифицирована по Международному стандарту ISO 9001;
- Лицензия ФСБ на осуществление работ с использованием сведений, составляющих государственную тайну;
- Поставка специализированных компонентов (Xilinx, Altera, Analog Devices, Intersil, Interpoint, Microsemi, Aeroflex, Peregrine, Syfer, Eurofarad, Texas Instrument, Miteq, Cobham, E2V, MA-COM, Hittite, Mini-Circuits, General Dynamics и др.);

Помимо этого, одним из направлений компании «ЭлектроПласт» является направление «Источники питания». Мы предлагаем Вам помощь Конструкторского отдела:

- Подбор оптимального решения, техническое обоснование при выборе компонента;
- Подбор аналогов;
- Консультации по применению компонента;
- Поставка образцов и прототипов;
- Техническая поддержка проекта;
- Защита от снятия компонента с производства.



Как с нами связаться

Телефон: 8 (812) 309 58 32 (многоканальный)

Факс: 8 (812) 320-02-42

Электронная почта: org@eplast1.ru

Адрес: 198099, г. Санкт-Петербург, ул. Калинина, дом 2, корпус 4, литера А.