

## Metallized Polypropylene (PP) - Capacitors in Cylindrical Case for DC-Link Applications

### Special Features

- Very high volume/capacitance ratio
- Self-healing properties
- With cylindrical plastic case for PCB mounting
- Dry construction without electrolyte or oil
- No internal fuse required
- Negative capacitance change versus temperature
- Very low dielectric absorption
- According to RoHS 2011/65/EU
- Customer-specific capacitances or voltages on request

### Typical Applications

DC capacitors with high capacitances for applications in power electronics also at non-sinusoidal voltages and currents e.g. in

- Wind power systems
- Inverters

### Construction

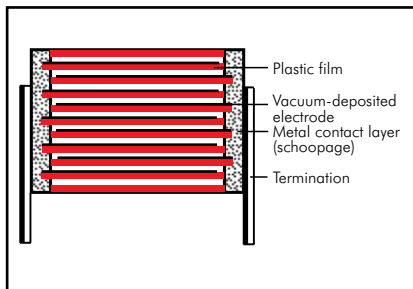
#### Dielectric:

Polypropylene (PP) film

#### Capacitor electrodes:

Vacuum-deposited

#### Internal construction:



#### Encapsulation:

Solvent-resistant, flame-retardant plastic case with PU-sealing, UL 94 V-0

#### Terminations:

Tinned wire.

#### Marking:

Colour: Grey. Marking: Black on silver label.

### Electrical Data

**Capacitance range:** 16  $\mu\text{F}$  to 260  $\mu\text{F}$

**Rated voltages:** 500 VDC, 700 VDC, 900 VDC, 1100 VDC, 1300 VDC

**Capacitance tolerances:**  $\pm 20\%$ ,  $\pm 10\%$  ( $\pm 5\%$  available subject to special enquiry)

**Operating temperature range:**

$-40^\circ\text{C}$  to  $+85^\circ\text{C}$

**Insulation resistance** at  $+20^\circ\text{C}$ :

$\geq 5000$  sec ( $\text{M}\Omega \times \mu\text{F}$ )

(mean value: 20000 sec)

Measuring voltage: 100 V/1 min.

**Dielectric loss factor**  $\tan \delta_0$ :  
 $2 \times 10^{-4}$

**Test voltage:**  $1.5 U_r$ , 2sec

**Dielectric absorption:**

0.05 %

**Reliability:**

Operational life  $> 100\,000$  hours

Failure rate  $< 50$  fit (hot spot  $\leq 70^\circ\text{C}$ )

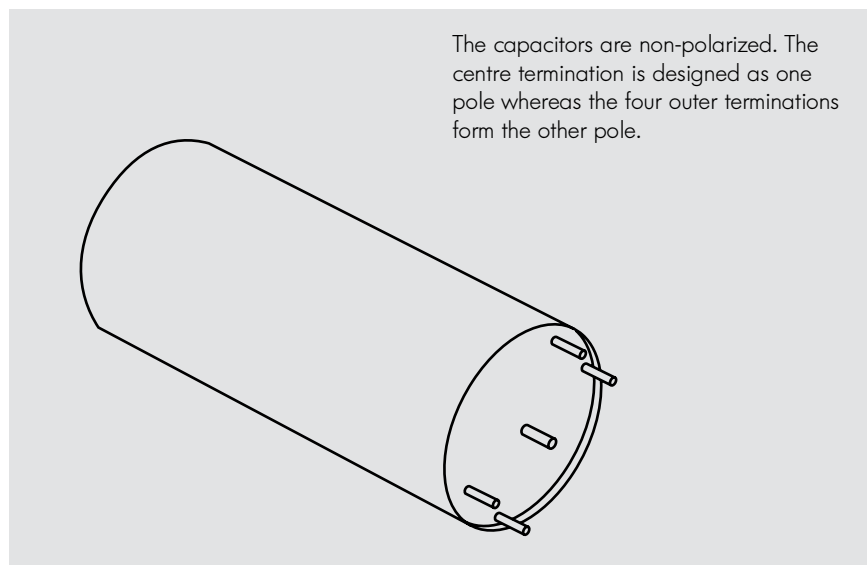
### Mounting Recommendation

Excessive mechanical strain, e.g. pressure or shock onto the capacitor body, is to be avoided during mounting and usage of the capacitors.

### Packing

Transportation-safe packing in cardboard boxes.

For further details and graphs please refer to Technical Information.



The capacitors are non-polarized. The centre termination is designed as one pole whereas the four outer terminations form the other pole.

## Continuation

### General Data

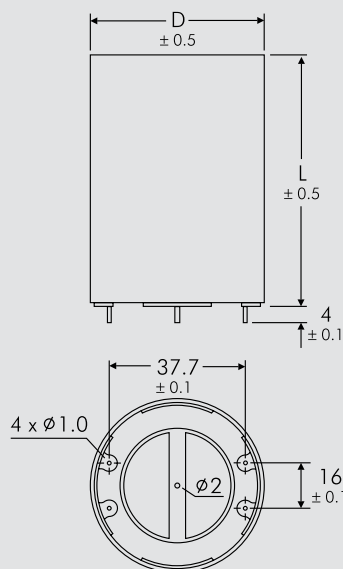
$U_R$	$C_N$	D x L mm	$I_{rms}$ (1 kHz)* A	ESR (1 kHz)* m $\Omega$	$R_{th}$ K/W	$L_e$ nH	Approx. weight g	Part number
500 VDC	85 $\mu$ F	50 x 57	35	2.0	11.0	< 45	120	DCP5H15850D000_-----
	195 "	50 x 95	32	3.4	7.5	< 65	190	DCP5H16195D100_-----
	260 "	50 x 120	30	5.2	6.0	< 85	220	DCP5H16260D200_-----
700 VDC	59 $\mu$ F	50 x 57	30	1.9	11.0	< 45	120	DCP5K05590D000_-----
	143 "	50 x 95	32	3.5	7.5	< 65	190	DCP5K06143D100_-----
	190 "	50 x 120	25	4.7	6.0	< 85	220	DCP5K06190D200_-----
900 VDC	53 $\mu$ F	50 x 57	35	2.3	11.0	< 45	120	DCP5N05530D000_-----
	114 "	50 x 95	32	4.2	7.5	< 65	190	DCP5N06114D100_-----
	158 "	50 x 120	30	6.0	6.0	< 85	220	DCP5N06158D200_-----
1100 VDC	30 $\mu$ F	50 x 57	20	2.8	11.0	< 45	120	DCP5P05300D000_-----
	72 "	50 x 95	25	4.5	7.5	< 65	190	DCP5P05720D100_-----
	100 "	50 x 120	25	6.1	6.0	< 85	220	DCP5P06100D200_-----
1300 VDC	16 $\mu$ F	50 x 57	20	3.0	11.0	< 45	120	DCP5R25160D000_-----
	40 "	50 x 95	25	5.7	7.5	< 65	190	DCP5R25400D100_-----
	55 "	50 x 120	25	7.7	6.0	< 85	220	DCP5R25550D200_-----

Contacts can handle: peak currents  $\hat{I}$  up to 1.1 kA  
surge currents  $I_S$  up to 3.5 kA

Customer-specific capacitances or voltages on request

\* General guide

Dims. in mm.



D	L
50	57
50	95
50	120

Part number completion:

Tolerance: 20 % = M  
10 % = K  
5 % = J  
Packing: bulk = S  
Pin length: none = 00

Rights reserved to amend design data without prior notification.



# WIMA Part Number System

A WIMA part number consists of 18 digits and is composed as follows:

- Field 1 - 4: Type description
- Field 5 - 6: Rated voltage
- Field 7 - 10: Capacitance
- Field 11 - 12: Size and PCM
- Field 13 - 14: Version code (e.g. Snubber versions)
- Field 15: Capacitance tolerance
- Field 16: Packing
- Field 17 - 18: Pin length (untaped)

1	2	3	4	5	6	7	8	9	10	11	12	13	14	15	16	17	18
<b>M</b>	<b>K</b>	<b>S</b>	<b>2</b>	<b>C</b>	<b>0</b>	<b>2</b>	<b>1</b>	<b>0</b>	<b>0</b>	<b>1</b>	<b>A</b>	<b>0</b>	<b>0</b>	<b>M</b>	<b>S</b>	<b>S</b>	<b>D</b>
MKS 2				63 VDC		0.01 µF			2.5x6.5x7.2		-		20%	bulk	6-2		

<p><b>Type description:</b></p> <p>SMD-PET = SMDT SMD-PEN = SMDN SMD-PPS = SMDI FKP 02 = FKPO MKS 02 = MKSO FKS 2 = FKS2 FKP 2 = FKP2 MKS 2 = MKS2 MKP 2 = MKP2 FKS 3 = FKS3 FKP 3 = FKP3 MKS 4 = MKS4 MKP 4 = MKP4 MKP 10 = MKP1 FKP 4 = FKP4 FKP 1 = FKP1 MKP-X2 = MKX2 MKP-X2 R = MKXR MKP-X1 R = MKX1 MKP-Y2 = MKY2 MP 3-X2 = MPX2 MP 3-X1 = MPX1 MP 3-Y2 = MPY2 MP 3R-Y2 = MPRY Snubber MKP = SNMP Snubber FKP = SNFP GTO MKP = GTOM DC-LINK MKP 3 = DCP3 DC-LINK MKP 4 = DCP4 DC-LINK MKP 4S = DCP5 DC-LINK MKP 5 = DCP5 DC-LINK MKP 6 = DCP6 DC-LINK HC = DCHC</p>	<p><b>Rated voltage:</b></p> <p>50 VDC = B0 63 VDC = C0 100 VDC = D0 250 VDC = F0 400 VDC = G0 450 VDC = H0 600 VDC = I0 630 VDC = J0 700 VDC = K0 800 VDC = L0 850 VDC = M0 900 VDC = N0 1000 VDC = O1 1100 VDC = P0 1200 VDC = Q0 1250 VDC = R0 1500 VDC = S0 1600 VDC = T0 2000 VDC = U0 2500 VDC = V0 3000 VDC = W0 4000 VDC = X0 6000 VDC = Y0 250 VAC = 0W 275 VAC = 1W 300 VAC = 2W 305 VAC = AW 400 VAC = 3W 440 VAC = 4W 500 VAC = 5W ...</p>	<p><b>Capacitance:</b></p> <p>22 pF = 0022 47 pF = 0047 100 pF = 0100 150 pF = 0150 220 pF = 0220 330 pF = 0330 470 pF = 0470 680 pF = 0680 1000 pF = 1100 1500 pF = 1150 2200 pF = 1220 3300 pF = 1330 4700 pF = 1470 6800 pF = 1680 0.01 µF = 2100 0.022 µF = 2220 0.047 µF = 2470 0.1 µF = 3100 0.22 µF = 3220 0.47 µF = 3470 1 µF = 4100 2.2 µF = 4220 4.7 µF = 4470 10 µF = 5100 22 µF = 5220 47 µF = 5470 100 µF = 6100 220 µF = 6220 1000 µF = 7100 1500 µF = 7150 ...</p>	<p><b>Size:</b></p> <p>4.8x3.3x3 Size 1812 = KA 4.8x3.3x4 Size 1812 = KB 5.7x5.1x3.5 Size 2220 = QA 5.7x5.1x4.5 Size 2220 = QB 7.2x6.1x3 Size 2824 = TA 7.2x6.1x5 Size 2824 = TB 10.2x7.6x5 Size 4030 = VA 12.7x10.2x6 Size 5040 = XA 15.3x13.7x7 Size 6054 = YA 2.5x7x4.6 PCM 2.5 = 0B 3x7.5x4.6 PCM 2.5 = 0C 2.5x6.5x7.2 PCM 5 = 1A 3x7.5x7.2 PCM 5 = 1B 2.5x7x10 PCM 7.5 = 2A 3x8.5x10 PCM 7.5 = 2B 3x9x13 PCM 10 = 3A 4x9x13 PCM 10 = 3C 5x11x18 PCM 15 = 4B 6x12.5x18 PCM 15 = 4C 5x14x26.5 PCM 22.5 = 5A 6x15x26.5 PCM 22.5 = 5B 9x19x31.5 PCM 27.5 = 6A 11x21x31.5 PCM 27.5 = 6B 9x19x41.5 PCM 37.5 = 7A 11x22x41.5 PCM 37.5 = 7B 19x31x56 PCM 48.5 = 8D 35x50x57 PCM 52.5 = 9F ...</p>	<p><b>Tolerance:</b></p> <p>±20% = M ±10% = K ±5% = J ±2.5% = H ±1% = E ...</p> <p><b>Packing:</b></p> <p>AMMO H16.5 340x340 = A AMMO H16.5 490x370 = B AMMO H18.5 340x340 = C AMMO H18.5 490x370 = D REEL H16.5 360 = F REEL H16.5 500 = H REEL H18.5 360 = I REEL H18.5 500 = J ROLL H16.5 = N ROLL H18.5 = O BLISTER W12 180 = P BLISTER W12 330 = Q BLISTER W16 330 = R BLISTER W24 330 = T Bulk/TPS Standard = S ...</p>													

<p><b>Version code:</b></p> <p>Standard = 00 Version A1 = 1A Version A1.1.1 = 1B Version A2 = 2A ...</p>	<p><b>Pin length (untaped)</b></p> <p>3.5 ±0.5 = C9 6-2 = SD 16 ±1 = P1 ...</p>
--	---

The data on this page is not complete and serves only to explain the part number system. Part number information is listed on the pages of the respective WIMA range.



Компания «ЭлектроПласт» предлагает заключение долгосрочных отношений при поставках импортных электронных компонентов на взаимовыгодных условиях!

Наши преимущества:

- Оперативные поставки широкого спектра электронных компонентов отечественного и импортного производства напрямую от производителей и с крупнейших мировых складов;
- Поставка более 17-ти миллионов наименований электронных компонентов;
- Поставка сложных, дефицитных, либо снятых с производства позиций;
- Оперативные сроки поставки под заказ (от 5 рабочих дней);
- Экспресс доставка в любую точку России;
- Техническая поддержка проекта, помощь в подборе аналогов, поставка прототипов;
- Система менеджмента качества сертифицирована по Международному стандарту ISO 9001;
- Лицензия ФСБ на осуществление работ с использованием сведений, составляющих государственную тайну;
- Поставка специализированных компонентов (Xilinx, Altera, Analog Devices, Intersil, Interpoint, Microsemi, Aeroflex, Peregrine, Syfer, Eurofarad, Texas Instrument, Miteq, Cobham, E2V, MA-COM, Hittite, Mini-Circuits, General Dynamics и др.);

Помимо этого, одним из направлений компании «ЭлектроПласт» является направление «Источники питания». Мы предлагаем Вам помощь Конструкторского отдела:

- Подбор оптимального решения, техническое обоснование при выборе компонента;
- Подбор аналогов;
- Консультации по применению компонента;
- Поставка образцов и прототипов;
- Техническая поддержка проекта;
- Защита от снятия компонента с производства.



#### Как с нами связаться

**Телефон:** 8 (812) 309 58 32 (многоканальный)

**Факс:** 8 (812) 320-02-42

**Электронная почта:** [org@eplast1.ru](mailto:org@eplast1.ru)

**Адрес:** 198099, г. Санкт-Петербург, ул. Калинина, дом 2, корпус 4, литера А.