

MICRO SWITCH Miniature Toggle Switches

MT Series

005437

Issue 1

Datasheet



DESCRIPTION

Honeywell MICRO SWITCH MT Series miniature toggle switches are designed to meet the need for a rugged, cost-effective toggle switch. Quality construction features include a seal between the toggle lever and bushing, and between the cover and case. These switches are designed for use in applications in many demanding outdoor environments, where the panels are subjected to such things as vibration from equipment, temperature extremes, dust, splashing water, and/or hose directed water.

They are capable of withstanding exposure to heavy accumulations of early morning dew that may condense on the control panel in cabs of vehicles left outdoors overnight. The MT toggle switches with metal or plastic levers are well suited for gloved-hand operation.

The panel stand-off with O-ring feature available on some listings eliminates the need for behind-the-panel hardware, provides a uniform panel height, and a panel-to-cover seal.

VALUE TO CUSTOMERS

- Spring-loaded mechanism provides enhanced tactile feedback for toggle switch lever
- High sealing level and electrical life cycle enable more uptime in field installations which helps in keeping machines working longer with less downtime
- Small size allows for smaller control box/panel size to reduce weight and operator fatigue

FEATURES

- Miniature behind-panel size (case) enables overall control box or panel use
- IEC 60529-2001, IP67, IP68 (except terminal parts) sealing for harsh-duty applications
- Up to 60,000 electrical life that enhances the use time
- Available with 8 circuitry options
- 2- or 3- position maintained and momentary action to meet circuit and actuator requirements
- UL recognized, CE certified for global use

POTENTIAL APPLICATIONS

Remote control box of

- Concrete pumping
- Cranes
- Material handling
- Boom trucks
- Any application with small panel constraints

DIFFERENTIATION

- 60K life cycle offers an enhanced application life, keeping maintenance, replacement, and refurbishment at a minimum
- High seal rating (IP68) to protect the toggle from water ingress and support more equipment uptime

PORTFOLIO

Honeywell offers an extensive line of MICRO SWITCH toggle switches, including the following Series: [TL](#), [NT](#), [TW](#), [TS](#), [AT](#), and [ET](#).

MICRO SWITCH Miniature Toggle Switches, MT Series

Table 1. Specifications

| Characteristic | Parameter |
|-----------------------------|--|
| Description | miniature, commercial-grade toggle switch |
| Sealing | IEC 60529-2001, IP67, IP68 (except terminal parts) |
| Operating temperature | -40 °C to 85 °C [-40 °F to 185 °F] |
| Actuators | industry standard polished lever |
| Action | 2- or 3-position; momentary and maintained |
| Mounting | bushing 15/32 in (0.47 in) Ø |
| Circuitry | UL 61058-1, SPST, SPDT, DPST, DPDT |
| Terminations | solder |
| Contacts | silver alloy, gold plated |
| Amp rating | 5 A, 28 Vdc with silver contacts 100 mA, 28 Vdc with gold-plated contacts |
| Electrical life | 60K cycles (SPDT, silver alloy and gold-plated contacts) 25K cycles @ 5 A, 28 Vdc (DPDT, silver alloy contacts) 60K cycles @ 100 mA, 28 Vdc (DPDT, gold-plated contacts) |
| Mechanical life | 100 K cycles |
| Initial dielectric strength | UL 61058-1, 500 Vdc, 10 mA/1 minute between open terminals |
| Salt spray | SAE J1455, duration 96 hours without red rust |
| Vibration | UL 60068-2-6, 10 Hz to 500 Hz, 10 G, duration two hours each direction |
| Solder ability | UL 61058-1, 350 °C ±10 °C, 3 seconds |
| Approvals | UL, CE |
| Measurement | 26,7 mm H x 20 mm W x 15 mm D [1.05 in H x 0.79 in W x 0.59 in D] |

MICRO SWITCH Miniature Toggle Switches, MT Series

Table 2. MT Series: Single Pole Order Guide

| No. of Poles | Circuits Made with Toggle At: | | | Catalog Listing | Catalog Listing |
|--------------|-------------------------------|-----------------------|-----------------------|-------------------------------------|---------------------------------------|
| | Keyway Side (1-2) | Center Position (1-2) | Opposite Keyway (2-3) | Silver Alloy Contacts (5 A, 28 Vdc) | Gold-Plated Contacts (100 mA, 28 Vdc) |
| 1 | ON | OFF | ON | 1MT1-1 | 1MT2-1 |
| | OFF | – | ON | 1MT1-2 | 1MT2-2 |
| | ON | – | ON | 1MT1-3 | 1MT2-3 |
| | OFF* | – | ON | 1MT1-4 | 1MT2-4 |
| | ON* | OFF | ON | 1MT1-5 | 1MT2-5 |
| | ON* | – | OFF | 1MT1-6 | 1MT2-6 |
| | ON* | OFF | ON* | 1MT1-7 | 1MT2-7 |
| | ON* | – | ON | 1MT1-8 | 1MT2-8 |

* These positions are momentary. All others are maintained.

Table 3. MT Series: Double Pole Order Guide

| No. of Poles | Circuits Made with Toggle At: | | | Catalog Listing | Catalog Listing |
|--------------|-------------------------------|----------------------------|----------------------------|-------------------------------------|---------------------------------------|
| | Keyway Side (1-2, 4-5) | Center Position (1-2, 4-5) | Opposite Keyway (2-3, 5-6) | Silver Alloy Contacts (5 A, 28 Vdc) | Gold-Plated Contacts (100 mA, 28 Vdc) |
| 2 | ON | OFF | ON | 2MT1-1 | 2MT2-1 |
| | OFF | – | ON | 2MT1-2 | 2MT2-2 |
| | ON | – | ON | 2MT1-3 | 2MT2-3 |
| | OFF* | – | ON | 2MT1-4 | 2MT2-4 |
| | ON* | OFF | ON | 2MT1-5 | 2MT2-5 |
| | ON* | – | OFF | 2MT1-6 | 2MT2-6 |
| | ON* | OFF | ON* | 2MT1-7 | 2MT2-7 |
| | ON* | – | ON | 2MT1-8 | 2MT2-8 |

* These positions are momentary. All others are maintained.

MICRO SWITCH Miniature Toggle Switches, MT Series

Figure 1. Dimensions mm [in]

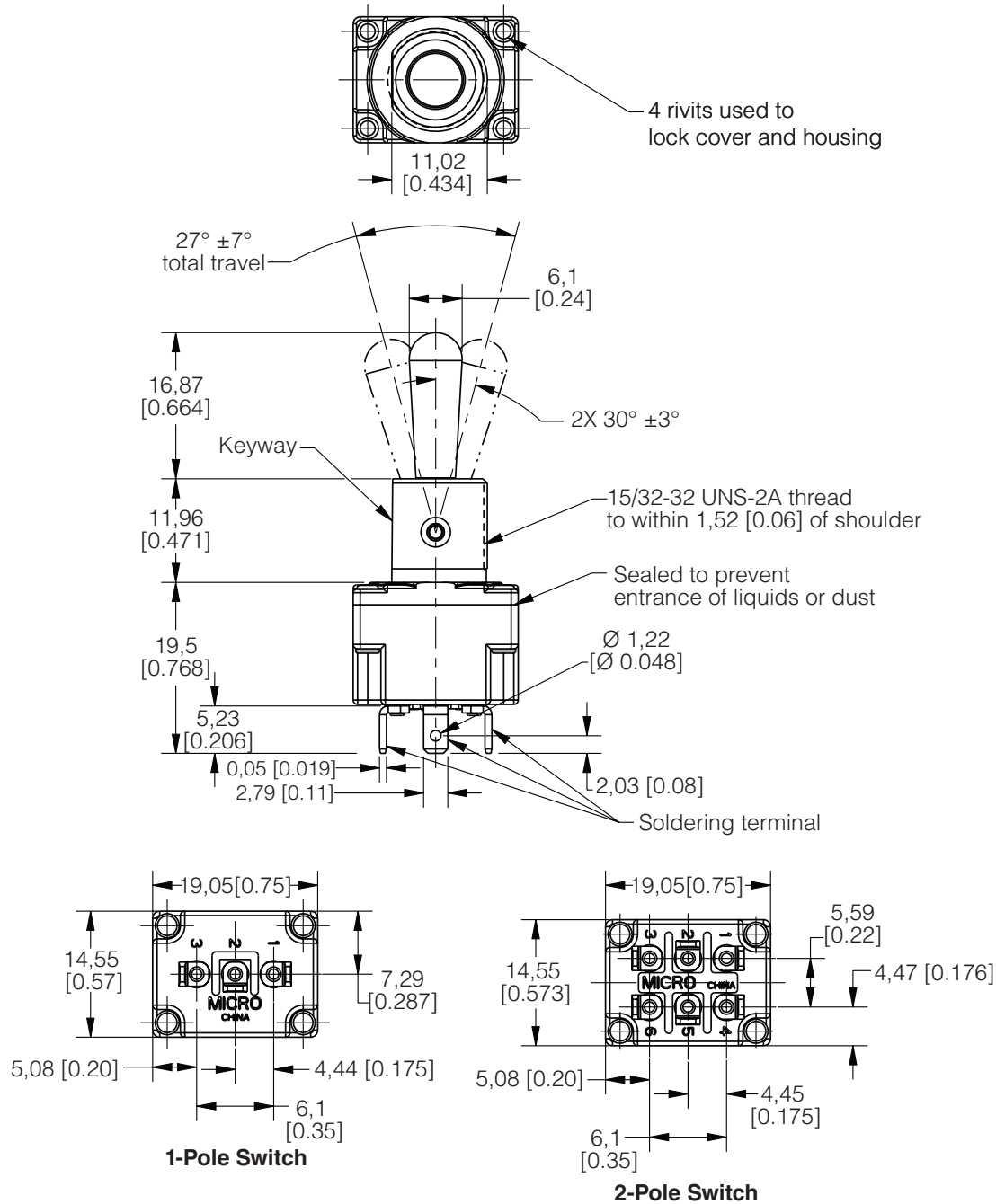
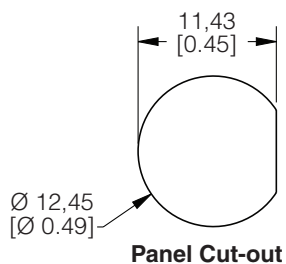


Figure 2. Panel Cutout



ADDITIONAL MATERIALS

The following associated literature is available on the Honeywell web site at sensing.honeywell.com:

- Product installation instructions
- Product range guide
- Product application-specific information

WARNING **PERSONAL INJURY**

DO NOT USE these products as safety or emergency stop devices or in any other application where failure of the product could result in personal injury.

Failure to comply with these instructions could result in death or serious injury.

WARNING **MISUSE OF DOCUMENTATION**

- The information presented in this product sheet is for reference only. Do not use this document as a product installation guide.
- Complete installation, operation, and maintenance information is provided in the instructions supplied with each product.

Failure to comply with these instructions could result in death or serious injury.

Find out more

Honeywell serves its customers through a worldwide network of sales offices, representatives and distributors. For application assistance, current specifications, pricing or name of the nearest Authorized Distributor, contact your local sales office.

To learn more about Honeywell's sensing and switching products, call **+1-815-235-6847** or **1-800-537-6945**, visit sensing.honeywell.com, or e-mail inquiries to info.sc@honeywell.com

Honeywell Sensing and Internet of Things

9680 Old Bailes Road
Fort Mill, SC 29707
honeywell.com

Warranty/Remedy

Honeywell warrants goods of its manufacture as being free of defective materials and faulty workmanship during the applicable warranty period. Honeywell's standard product warranty applies unless agreed to otherwise by Honeywell in writing; please refer to your order acknowledgement or consult your local sales office for specific warranty details. If warranted goods are returned to Honeywell during the period of coverage, Honeywell will repair or replace, at its option, without charge those items that Honeywell, in its sole discretion, finds defective. **The foregoing is buyer's sole remedy and is in lieu of all other warranties, expressed or implied, including those of merchantability and fitness for a particular purpose. In no event shall Honeywell be liable for consequential, special, or indirect damages.**

While Honeywell may provide application assistance personally, through our literature and the Honeywell web site, it is buyer's sole responsibility to determine the suitability of the product in the application.

Specifications may change without notice. The information we supply is believed to be accurate and reliable as of this writing. However, Honeywell assumes no responsibility for its use.

Honeywell



Компания «ЭлектроПласт» предлагает заключение долгосрочных отношений при поставках импортных электронных компонентов на взаимовыгодных условиях!

Наши преимущества:

- Оперативные поставки широкого спектра электронных компонентов отечественного и импортного производства напрямую от производителей и с крупнейших мировых складов;
- Поставка более 17-ти миллионов наименований электронных компонентов;
- Поставка сложных, дефицитных, либо снятых с производства позиций;
- Оперативные сроки поставки под заказ (от 5 рабочих дней);
- Экспресс доставка в любую точку России;
- Техническая поддержка проекта, помощь в подборе аналогов, поставка прототипов;
- Система менеджмента качества сертифицирована по Международному стандарту ISO 9001;
- Лицензия ФСБ на осуществление работ с использованием сведений, составляющих государственную тайну;
- Поставка специализированных компонентов (Xilinx, Altera, Analog Devices, Intersil, Interpoint, Microsemi, Aeroflex, Peregrine, Syfer, Eurofarad, Texas Instrument, Miteq, Cobham, E2V, MA-COM, Hittite, Mini-Circuits, General Dynamics и др.);

Помимо этого, одним из направлений компании «ЭлектроПласт» является направление «Источники питания». Мы предлагаем Вам помощь Конструкторского отдела:

- Подбор оптимального решения, техническое обоснование при выборе компонента;
- Подбор аналогов;
- Консультации по применению компонента;
- Поставка образцов и прототипов;
- Техническая поддержка проекта;
- Защита от снятия компонента с производства.



Как с нами связаться

Телефон: 8 (812) 309 58 32 (многоканальный)

Факс: 8 (812) 320-02-42

Электронная почта: org@eplast1.ru

Адрес: 198099, г. Санкт-Петербург, ул. Калинина, дом 2, корпус 4, литера А.