

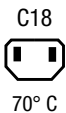
IEC Appliance Inlet C14 or C18 with Filter, ECO design, Front- or Rear Side Mounting

Standard- or Medical-Filter

new

Screw-on mounting
PCB snap-in versionSnap-in mounting
Quick connect terminals 6.3 x 0.8 mm
Protection class IIScrew-on mounting
with wires (stranded)

70° C



70° C

**Description**

- Panel Mount:
 - Screw-on version from front or rear side, snap-in version from front side, PCB Version from rear side
- 2 Functions:
 - Appliance Inlet protection class I or II, Line filter in standard and medical version
- Solder, quick connect or wire (stranded)
- PCB Mounting
- Earth Terminal

Approvals

- VDE Certificate Number: 40016382
- UL File Number: E72928
- CCC File Number: 2010010204438235

Characteristics

- Compact high performance filter
- Optimal shielding due to completely closed filter case, unpotted
- Designed for standard and medical applications
- Suitable for assembly in metal plated plastic housings
- Qualified for use in equipment according IEC/EN 60950

Other versions on request

- Snap-in for panel thickness >2mm to 3mm
- flexible wire with various lengths
- Class X1- and Y1-capacitors for enhanced withstand voltage
- Medical version M80
- Variant with notch for V-Lock mating Cordsets

References

Alternative: Standard version

Weblinks

[pdf-datasheet](#), [html-datasheet](#), [General Product Information](#), [Approvals](#), [RoHS](#), [CHINA-RoHS](#), [Mating Connectors](#), [e-Shop](#), [SCHURTER-Stock-Check](#), [Distributor-Stock-Check](#), [CAD-Drawings](#), [Accessories](#), [Wire Harness](#), [Detailed request for product](#)

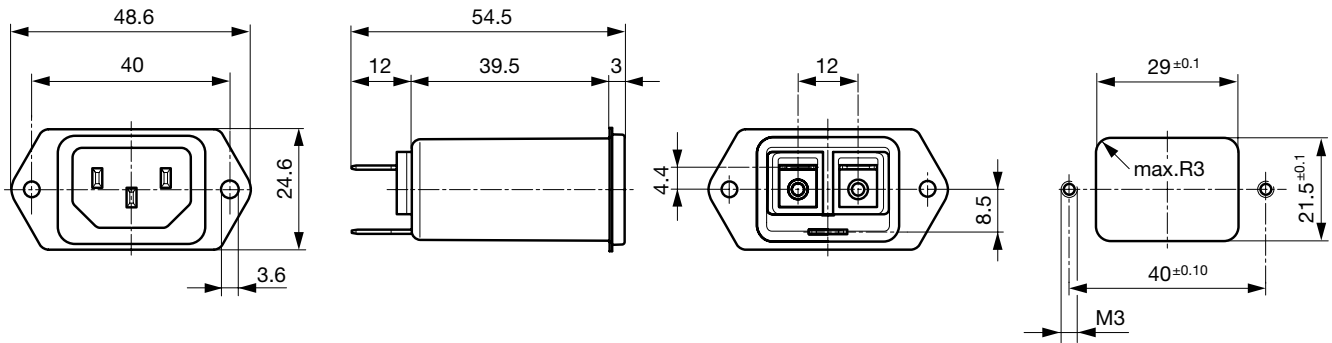
Newly available variants corresponding to V-Lock mating cordset. The connector is equipped with a notch intended for use with the latching cordset. The cord latching system prevents against accidental removal of the cordset.

Technical Data

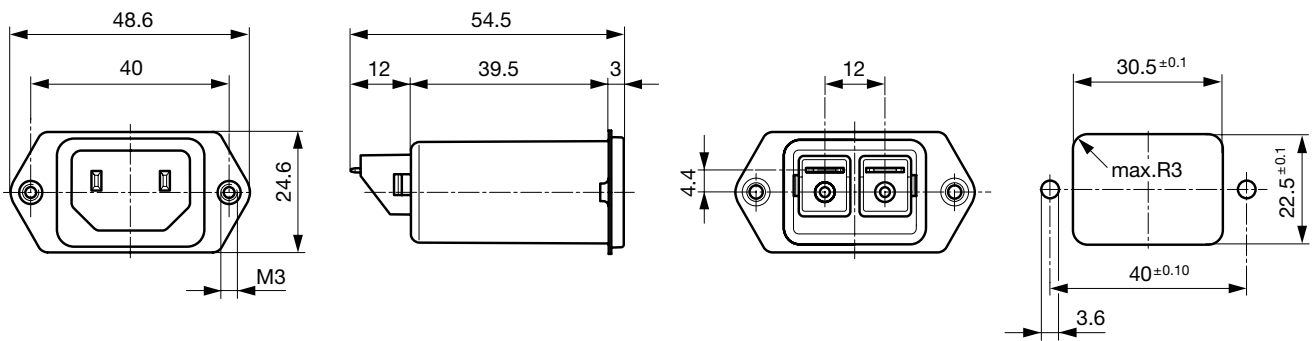
| | | | |
|---------------------------|--|-------------------------|--|
| Ratings IEC | 1 - 10A @ Ta 40 °C / 250VAC; 50Hz | Appliance-Inlet/-Outlet | C14 / C18 acc. to IEC 60320, UL 498, CSA C22.2 no. 42 (for cold conditions) pin-temperature 70 °C, 10A, Protection Class I or II |
| Ratings UL/CSA | 1 - 15A @ Ta 40 °C / 250VAC; 60Hz | Line Filter | Standard and Medical Version, IEC 60939, IEC 60601-1, UL 1283, UL 544, CSA C22.2 no. 8 Technical Details |
| Leakage Current | standard < 0.5mA (250V / 60Hz) medical < 5 µA (250 V / 60 Hz) | MTBF | > 3'000'000h acc. to MIL-HB-217 F |
| Dielectric Strength | > 1.7kVDC between L-N > 2.7kVDC between L/N-PE Test voltage (2 sec) | | |
| Allowable Operation Temp. | -25 °C to 85 °C | | |
| Climatic Category | 25/085/21 acc. to IEC 60068-1 | | |
| Degree of Protection | from front side IP 40 acc. to IEC 60529 | | |
| Protection Class | Suitable for appliances with protection class I or II acc. to IEC 61140 | | |
| Terminal | Quick connect terminals 6.3 x 0.8 mm Solder terminals Flexible wire AWG18 (15A AWG16), 150 mm | | |
| Panel Thickness s | Screw: max 8 mm Mounting screw torque max 0.5Nm Snap-in: 0.8mm to 2 mm (all steps with one variant) | | |
| Material: Housing | Themoplast / steel tin-plated, black / metallic, UL 94V-0 | | |

Dimensions

54.5 mm
 Front or rear side mounting for screws with nuts or blind rivets (panel cutout for frontside mounting)

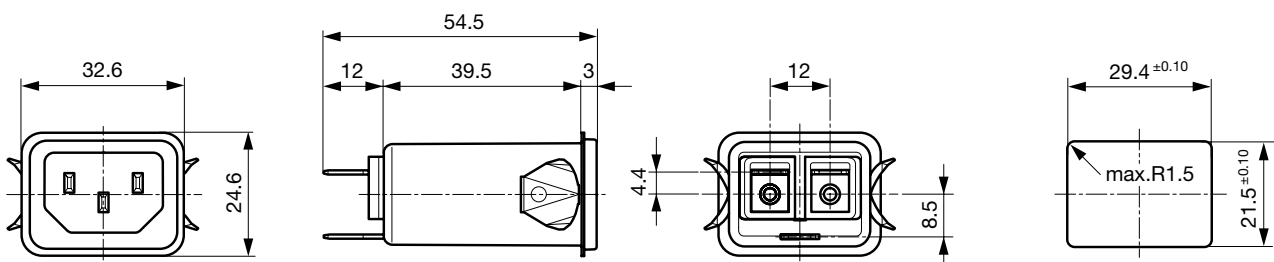


Rear side mounting with pre-formed, threaded holes for M3 screws (panel cutout for rear side mounting)



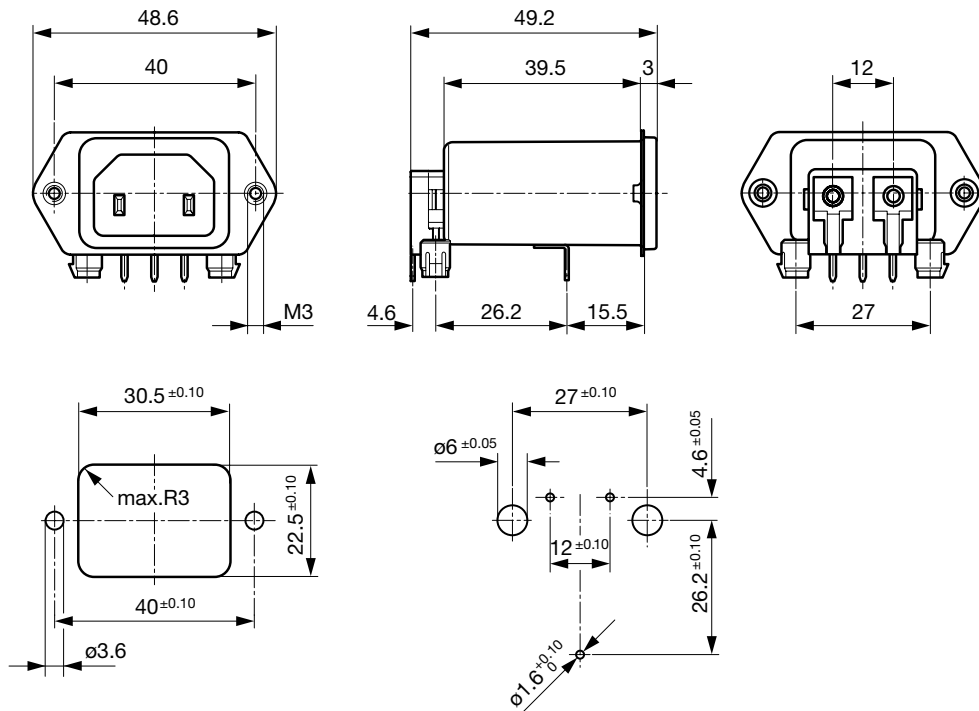
Dimensions for class II version also apply to class I

Snap-in mounting from front side

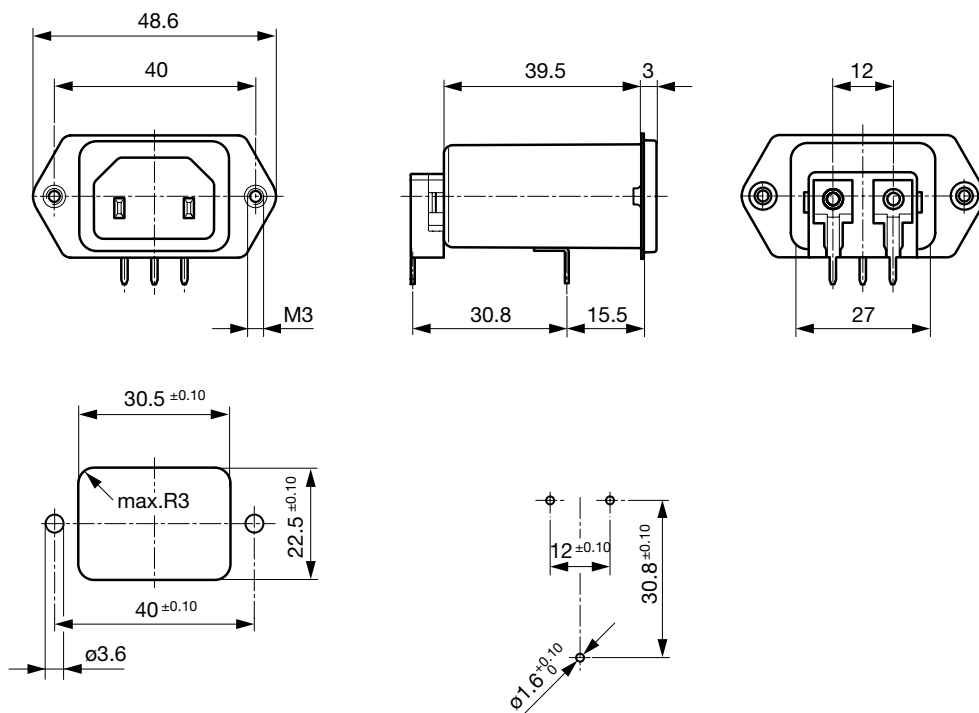


Dimensions for class I version also apply class II

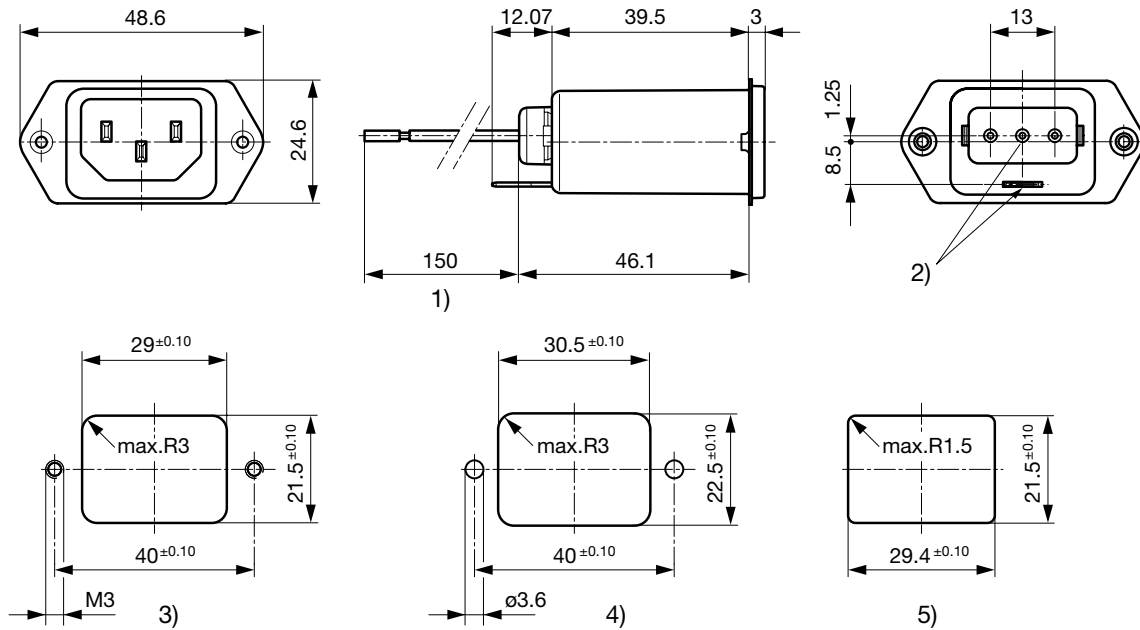
PCB snap-in rear side mounting, protection class II



PCB rear side mounting, protection class II



Screw and snap-in mounting with flexible wire



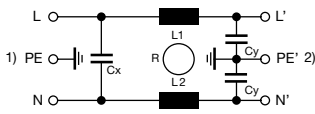
- 1) Flexible wire, standard length 150 mm or special length on request
- 2) Nonexistent for protection class II
- 3) Panel cut-out screw-on version, back-side mounting
- 4) Panel cut-out screw-on version, front- or back-side mounting
- 5) Panel cut-out snap-in version, front-side mounting

Technical Data of Filter-Components

| Rated Current [A] | Filter-Type | Inductances L [mH] | Capacitance CX [nF] | Capacitance CY [nF] | R [MΩ] |
|-------------------|------------------------|--------------------|---------------------|---------------------|--------|
| 1 | Standard Version | 2 x 12 | 100 | 2.2 | - |
| 2 | Standard Version | 2 x 5.2 | 100 | 2.2 | - |
| 4 | Standard Version | 2 x 2 | 100 | 2.2 | - |
| 6 | Standard Version | 2 x 0.8 | 100 | 2.2 | - |
| 10 | Standard Version | 2 x 0.4 | 100 | 2.2 | - |
| 15 | Standard Version | 2 x 0.1 | 100 | 2.2 | - |
| 1 | Medical Version (M5) | 2 x 12 | 100 | - | 1 |
| 2 | Medical Version (M5) | 2 x 5.2 | 100 | - | 1 |
| 4 | Medical Version (M5) | 2 x 2 | 100 | - | 1 |
| 6 | Medical Version (M5) | 2 x 0.8 | 100 | - | 1 |
| 10 | Medical Version (M5) | 2 x 0.4 | 100 | - | 1 |
| 15 | Medical Version (M5) | 2 x 0.1 | 100 | - | 1 |
| 1 | Bleed Resistor Version | 2 x 12 | 100 | 2.2 | 1 |
| 2 | Bleed Resistor Version | 2 x 5.2 | 100 | 2.2 | 1 |
| 4 | Bleed Resistor Version | 2 x 2 | 100 | 2.2 | 1 |
| 6 | Bleed Resistor Version | 2 x 0.8 | 100 | 2.2 | 1 |
| 10 | Bleed Resistor Version | 2 x 0.4 | 100 | 2.2 | 1 |
| 15 | Bleed Resistor Version | 2 x 0.1 | 100 | 2.2 | 1 |

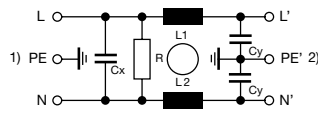
Diagrams

Standard version



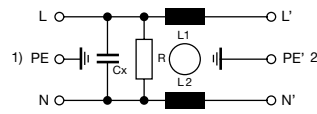
1) Line
2) Load

Bleed resistor version



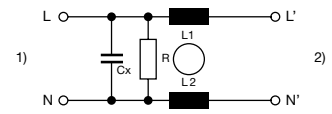
1) Line
2) Load

Medical version M5



1) Line
2) Load

Medical version M5, prot. class II



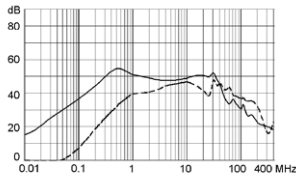
1) Line
2) Load

Attenuation Loss

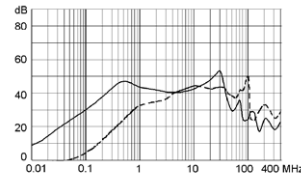
--- differential mode ____ common mode

Standard version

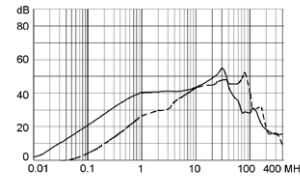
1 A



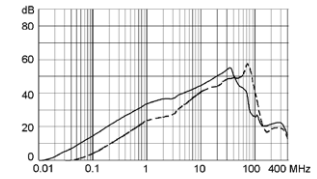
2 A



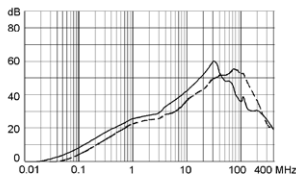
4 A



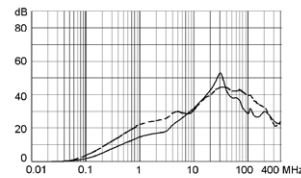
6 A



10 A

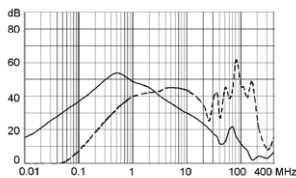


15 A

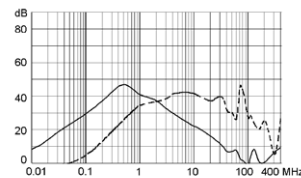


Medical version (M5)

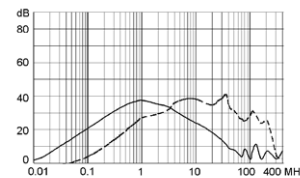
1 A



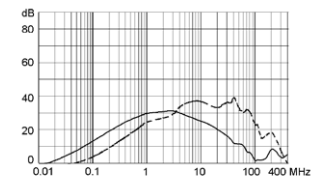
2 A



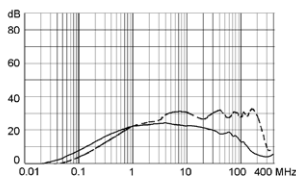
4 A



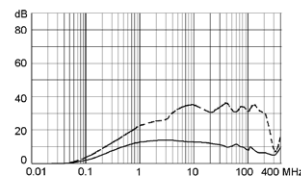
6 A



10 A



15 A



Variants

| Rated Current [A] | Filter-Type | Mounting | Mounting side | Terminal | Protection Class | Order Number |
|-------------------|----------------------|-------------------|------------------|---------------------------------------|------------------|----------------|
| 1 | Standard Version | Screw/PCB snap-in | Rear-Side | PCB pin and earth pin 6.3 x 0.8 | I | 5120.5070.0 |
| 2 | Standard Version | Screw/PCB snap-in | Rear-Side | PCB pin and earth pin 6.3 x 0.8 | I | 5120.5071.0 |
| 4 | Standard Version | Screw/PCB snap-in | Rear-Side | PCB pin and earth pin 6.3 x 0.8 | I | 5120.5073.0 |
| 6 | Standard Version | Screw/PCB snap-in | Rear-Side | PCB pin and earth pin 6.3 x 0.8 | I | 5120.5074.0 |
| 10 | Standard Version | Screw/PCB snap-in | Rear-Side | PCB pin and earth pin 6.3 x 0.8 | I | 5120.5076.0 |
| 15 | Standard Version | Screw/PCB snap-in | Rear-Side | PCB pin and earth pin 6.3 x 0.8 | I | 5120.5077.0 |
| 1 | Standard Version | Screw/PCB | Rear-Side | PCB pin and earth pin 6.3 x 0.8 | I | 5120.4070.0 |
| 2 | Standard Version | Screw/PCB | Rear-Side | PCB pin and earth pin 6.3 x 0.8 | I | 5120.4071.0 |
| 4 | Standard Version | Screw/PCB | Rear-Side | PCB pin and earth pin 6.3 x 0.8 | I | 5120.4073.0 |
| 6 | Standard Version | Screw/PCB | Rear-Side | PCB pin and earth pin 6.3 x 0.8 | I | 5120.4074.0 |
| 10 | Standard Version | Screw/PCB | Rear-Side | PCB pin and earth pin 6.3 x 0.8 | I | 5120.4076.0 |
| 15 | Standard Version | Screw/PCB | Rear-Side | PCB pin and earth pin 6.3 x 0.8 | I | 5120.4077.0 |
| 1 | Standard Version | Screw-on/Rivet | Front-/Rear-Side | Quick connect terminals 6.3 x 0.8 mm | I | 5120.0000.0 |
| 1 | Standard Version | Screw-on/Rivet | Front-/Rear-Side | Solder terminals | I | 5120.0010.0 |
| 2 | Standard Version | Screw-on/Rivet | Front-/Rear-Side | Quick connect terminals 6.3 x 0.8 mm | I | 5120.0001.0 |
| 4 | Standard Version | Screw-on/Rivet | Front-/Rear-Side | Quick connect terminals 6.3 x 0.8 mm | I | 5120.0003.0 |
| 6 | Standard Version | Screw-on/Rivet | Front-/Rear-Side | Quick connect terminals 6.3 x 0.8 mm | I | 5120.0004.0 |
| 10 | Standard Version | Screw-on/Rivet | Front-/Rear-Side | Quick connect terminals 6.3 x 0.8 mm | I | 5120.0006.0 |
| 15 | Standard Version | Screw-on/Rivet | Front-/Rear-Side | Quick connect terminals 6.3 x 0.8 mm | I | 5120.0007.0 |
| 15 | Standard Version | Screw-on/Rivet | Front-/Rear-Side | Flexible wire AWG16, Ground: solder | I | 5120.0057.0 |
| 1 | Standard Version | Screw | Rear-Side | Quick connect terminals 6.3 x 0.8 mm | I | 5120.1000.0 |
| 2 | Standard Version | Screw | Rear-Side | Quick connect terminals 6.3 x 0.8 mm | I | 5120.1001.0 |
| 4 | Standard Version | Screw | Rear-Side | Quick connect terminals 6.3 x 0.8 mm | I | 5120.1003.0 |
| 6 | Standard Version | Screw | Rear-Side | Quick connect terminals 6.3 x 0.8 mm | I | 5120.1004.0 |
| 10 | Standard Version | Screw | Rear-Side | Quick connect terminals 6.3 x 0.8 mm | I | 5120.1006.0 |
| 10 | Standard Version | Screw | Rear-Side | Quick connect terminals 6.3 x 0.8 mm | I | 5120.1006.0.21 |
| 10 | Standard Version | Screw | Rear-Side | Flexible wire and Earth pin 6.3 x 0.8 | I | 5120.1046.0 |
| 15 | Standard Version | Screw | Rear-Side | Quick connect terminals 6.3 x 0.8 mm | I | 5120.1007.0 |
| 6 | Standard Version | Snap-in 2 - 3 mm | Front-Side | Flexible wire AWG18 | I | 5120.3034.0 |
| 1 | Standard Version | Snap-in | Front-Side | Quick connect terminals 6.3 x 0.8 mm | I | 5120.2000.0 |
| 2 | Standard Version | Snap-in | Front-Side | Quick connect terminals 6.3 x 0.8 mm | I | 5120.2001.0 |
| 4 | Standard Version | Snap-in | Front-Side | Quick connect terminals 6.3 x 0.8 mm | I | 5120.2003.0 |
| 6 | Standard Version | Snap-in | Front-Side | Quick connect terminals 6.3 x 0.8 mm | I | 5120.2004.0 |
| 10 | Standard Version | Snap-in | Front-Side | Quick connect terminals 6.3 x 0.8 mm | I | 5120.2006.0 |
| 10 | Standard Version | Snap-in | Front-Side | Flexible wire and Earth pin 6.3 x 0.8 | I | 5120.2046.0 |
| 15 | Standard Version | Snap-in | Front-Side | Quick connect terminals 6.3 x 0.8 mm | I | 5120.2007.0 |
| 4 | Medical Version (M5) | Screw/PCB snap-in | Rear-Side | PCB pin and earth pin 6.3 x 0.8 | I | 5120.5373.0 |
| 6 | Medical Version (M5) | Screw/PCB snap-in | Rear-Side | PCB pin and earth pin 6.3 x 0.8 | I | 5120.5374.0 |
| 4 | Medical Version (M5) | Screw/PCB | Rear-Side | PCB pin and earth pin 6.3 x 0.8 | I | 5120.4373.0 |
| 6 | Medical Version (M5) | Screw/PCB | Rear-Side | PCB pin and earth pin 6.3 x 0.8 | I | 5120.4374.0 |
| 1 | Medical Version (M5) | Screw-on/Rivet | Front-/Rear-Side | Quick connect terminals 6.3 x 0.8 mm | I | 5120.0300.0 |
| 2 | Medical Version (M5) | Screw-on/Rivet | Front-/Rear-Side | Quick connect terminals 6.3 x 0.8 mm | I | 5120.0301.0 |
| 4 | Medical Version (M5) | Screw-on/Rivet | Front-/Rear-Side | Quick connect terminals 6.3 x 0.8 mm | I | 5120.0303.0 |
| 4 | Medical Version (M5) | Screw-on/Rivet | Front-/Rear-Side | Flexible wire and Earth pin 6.3 x 0.8 | I | 5120.0343.0 |
| 6 | Medical Version (M5) | Screw-on/Rivet | Front-/Rear-Side | Quick connect terminals 6.3 x 0.8 mm | I | 5120.0304.0 |
| 10 | Medical Version (M5) | Screw-on/Rivet | Front-/Rear-Side | Quick connect terminals 6.3 x 0.8 mm | I | 5120.0306.0 |
| 15 | Medical Version (M5) | Screw-on/Rivet | Front-/Rear-Side | Quick connect terminals 6.3 x 0.8 mm | I | 5120.0307.0 |
| 1 | Medical Version (M5) | Screw | Rear-Side | Quick connect terminals 6.3 x 0.8 mm | I | 5120.1300.0 |
| 2 | Medical Version (M5) | Screw | Rear-Side | Quick connect terminals 6.3 x 0.8 mm | I | 5120.1301.0 |
| 4 | Medical Version (M5) | Screw | Rear-Side | Quick connect terminals 6.3 x 0.8 mm | I | 5120.1303.0 |
| 6 | Medical Version (M5) | Screw | Rear-Side | Quick connect terminals 6.3 x 0.8 mm | I | 5120.1304.0 |
| 10 | Medical Version (M5) | Screw | Rear-Side | Quick connect terminals 6.3 x 0.8 mm | I | 5120.1306.0 |
| 10 | Medical Version (M5) | Screw | Rear-Side | Quick connect terminals 6.3 x 0.8 mm | I | 5120.1306.0.21 |
| 10 | Medical Version (M5) | Screw | Rear-Side | Flexible wire and Earth pin 6.3 x 0.8 | I | 5120.1346.0 |

| Rated Current [A] | Filter-Type | Mounting | Mounting side | Terminal | Protection Class | Order Number |
|-------------------|------------------------|-------------------|------------------|--------------------------------------|------------------|----------------|
| 15 | Medical Version (M5) | Screw | Rear-Side | Quick connect terminals 6.3 x 0.8 mm | I | 5120.1307.0 |
| 1 | Medical Version (M5) | Snap-in | Front-Side | Quick connect terminals 6.3 x 0.8 mm | I | 5120.2300.0 |
| 2 | Medical Version (M5) | Snap-in | Front-Side | Quick connect terminals 6.3 x 0.8 mm | I | 5120.2301.0 |
| 4 | Medical Version (M5) | Snap-in | Front-Side | Quick connect terminals 6.3 x 0.8 mm | I | 5120.2303.0 |
| 6 | Medical Version (M5) | Snap-in | Front-Side | Quick connect terminals 6.3 x 0.8 mm | I | 5120.2304.0 |
| 10 | Medical Version (M5) | Snap-in | Front-Side | Quick connect terminals 6.3 x 0.8 mm | I | 5120.2306.0 |
| 15 | Medical Version (M5) | Snap-in | Front-Side | Quick connect terminals 6.3 x 0.8 mm | I | 5120.2307.0 |
| 4 | Medical Version (M5) | Screw/PCB snap-in | Rear-Side | PCB pin and earth pin 6.3 x 0.8 | II | 5120.5373.1 |
| 6 | Medical Version (M5) | Screw/PCB snap-in | Rear-Side | PCB pin and earth pin 6.3 x 0.8 | II | 5120.5374.1 |
| 10 | Medical Version (M5) | Screw/PCB snap-in | Rear-Side | PCB pin and earth pin 6.3 x 0.8 | II | 5120.5376.1 |
| 4 | Medical Version (M5) | Screw/PCB | Rear-Side | PCB pin and earth pin 6.3 x 0.8 | II | 5120.4373.1 |
| 6 | Medical Version (M5) | Screw/PCB | Rear-Side | PCB pin and earth pin 6.3 x 0.8 | II | 5120.4374.1 |
| 2 | Medical Version (M5) | Screw-on/Rivet | Front-/Rear-Side | Quick connect terminals 6.3 x 0.8 mm | II | 5120.0301.1 |
| 4 | Medical Version (M5) | Screw-on/Rivet | Front-/Rear-Side | Quick connect terminals 6.3 x 0.8 mm | II | 5120.0303.1 |
| 6 | Medical Version (M5) | Screw-on/Rivet | Front-/Rear-Side | Quick connect terminals 6.3 x 0.8 mm | II | 5120.0304.1 |
| 10 | Medical Version (M5) | Screw-on/Rivet | Front-/Rear-Side | Solder terminals | II | 5120.0316.1 |
| 1 | Medical Version (M5) | Screw | Rear-Side | Quick connect terminals 6.3 x 0.8 mm | II | 5120.1300.1 |
| 2 | Medical Version (M5) | Screw | Rear-Side | Quick connect terminals 6.3 x 0.8 mm | II | 5120.1301.1 |
| 2 | Medical Version (M5) | Screw | Rear-Side | Solder terminals | II | 5120.1311.1 |
| 4 | Medical Version (M5) | Screw | Rear-Side | Quick connect terminals 6.3 x 0.8 mm | II | 5120.1303.1 |
| 6 | Medical Version (M5) | Screw | Rear-Side | Quick connect terminals 6.3 x 0.8 mm | II | 5120.1304.1 |
| 10 | Medical Version (M5) | Screw | Rear-Side | Quick connect terminals 6.3 x 0.8 mm | II | 5120.1306.1 |
| 1 | Medical Version (M5) | Snap-in | Front-Side | Quick connect terminals 6.3 x 0.8 mm | II | 5120.2300.1 |
| 2 | Medical Version (M5) | Snap-in | Front-Side | Quick connect terminals 6.3 x 0.8 mm | II | 5120.2301.1 |
| 4 | Medical Version (M5) | Snap-in | Front-Side | Quick connect terminals 6.3 x 0.8 mm | II | 5120.2303.1 |
| 6 | Medical Version (M5) | Snap-in | Front-Side | Quick connect terminals 6.3 x 0.8 mm | II | 5120.2304.1 |
| 10 | Medical Version (M5) | Snap-in | Front-Side | Quick connect terminals 6.3 x 0.8 mm | II | 5120.2306.1 |
| 15 | Medical Version (M5) | Snap-in | Front-Side | Quick connect terminals 6.3 x 0.8 mm | II | 5120.2307.1 |
| 10 | Bleed Resistor Version | Screw-on/Rivet | Front-/Rear-Side | Solder terminals | I | 5120.0216.0 |
| 2 | Bleed Resistor Version | Snap-in | Front-Side | Quick connect terminals 6.3 x 0.8 mm | I | 5120.2201.0 |
| 4 | Bleed Resistor Version | Snap-in | Front-Side | Quick connect terminals 6.3 x 0.8 mm | I | 5120.2203.0 |
| 6 | Bleed Resistor Version | Snap-in | Front-Side | Quick connect terminals 6.3 x 0.8 mm | I | 5120.2204.0 |
| 10 | Bleed Resistor Version | Snap-in | Front-Side | Quick connect terminals 6.3 x 0.8 mm | I | 5120.2206.0 |
| 15 | Bleed Resistor Version | Snap-in | Front-Side | Quick connect terminals 6.3 x 0.8 mm | I | 5120.2207.0 |
| 15 | Bleed Resistor Version | Snap-in | Front-Side | Quick connect terminals 6.3 x 0.8 mm | I | 5120.2207.0.21 |

- 15 A version only according UL/CSA

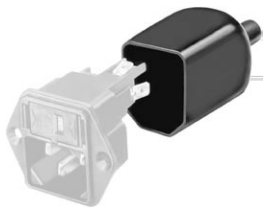
- Type for screw-on mounting from rear side has pre-threaded holes for M3 screws

Suffix ".21" corresponds to the version with V-Lock mating cordset. The connector is equipped with a notch intended for use with the latching cordset. The cord latching system prevents against accidental removal of the cordset.

Packaging unit 10 Pcs

Accessories

Description



Assorted Covers
Rear Cover



Wire Harness
Wire harness for SCHURTER products



Cord retaining kits
Cord retaining strain relief

Mating Outlets/Connectors

Category / Description

Appliance Outlet Overview complete



| | |
|---|------|
| IEC Appliance Outlet F, Screw-on Mounting, Front Side, Solder Terminal | 4787 |
| IEC Appliance Outlet F, Snap-in Mounting, Front Side, Solder or Quick-connect Terminal | 4788 |
| IEC Appliance Outlet F or H, Screw-on Mounting, Front Side, Solder, PCB or Quick-connect Terminal | 5091 |
| IEC Appliance Outlet F or H, Screw-on Mounting, Front Side, Solder or Quick-connect Terminal | 5092 |

[Appliance Outlet further types to 5120](#)

Connector Overview complete



| | |
|--|--------|
| IEC Connector C15, Rewireable, Straight | 0101 |
| IEC Connector C15A, Rewireable, Straight | 0102 |
| IEC Connector C15A, Rewireable, Straight | 0102-G |
| IEC Connector C15A, Rewireable, Angled | 0112 |
| IEC Connector C13, Rewireable, Angled | 4012 |

[Connector further types to 5120](#) ...

Power Cord Overview complete



| | |
|---|------|
| Power Cord with IEC Connector C13, Angled | 0311 |
| Power Cord with IEC Connector C13, Angled | 3011 |
| Power Cord with IEC Connector C13, Angled | 3012 |
| Power Cord with IEC Connector C13, Angled | 3013 |
| Power Cord with IEC Connector C13 | 3020 |

[Power Cord further types to 5120](#) ...



Компания «ЭлектроПласт» предлагает заключение долгосрочных отношений при поставках импортных электронных компонентов на взаимовыгодных условиях!

Наши преимущества:

- Оперативные поставки широкого спектра электронных компонентов отечественного и импортного производства напрямую от производителей и с крупнейших мировых складов;
- Поставка более 17-ти миллионов наименований электронных компонентов;
- Поставка сложных, дефицитных, либо снятых с производства позиций;
- Оперативные сроки поставки под заказ (от 5 рабочих дней);
- Экспресс доставка в любую точку России;
- Техническая поддержка проекта, помощь в подборе аналогов, поставка прототипов;
- Система менеджмента качества сертифицирована по Международному стандарту ISO 9001;
- Лицензия ФСБ на осуществление работ с использованием сведений, составляющих государственную тайну;
- Поставка специализированных компонентов (Xilinx, Altera, Analog Devices, Intersil, Interpoint, Microsemi, Aeroflex, Peregrine, Syfer, Eurofarad, Texas Instrument, Miteq, Cobham, E2V, MA-COM, Hittite, Mini-Circuits, General Dynamics и др.);

Помимо этого, одним из направлений компании «ЭлектроПласт» является направление «Источники питания». Мы предлагаем Вам помощь Конструкторского отдела:

- Подбор оптимального решения, техническое обоснование при выборе компонента;
- Подбор аналогов;
- Консультации по применению компонента;
- Поставка образцов и прототипов;
- Техническая поддержка проекта;
- Защита от снятия компонента с производства.



Как с нами связаться

Телефон: 8 (812) 309 58 32 (многоканальный)

Факс: 8 (812) 320-02-42

Электронная почта: org@eplast1.ru

Адрес: 198099, г. Санкт-Петербург, ул. Калинина, дом 2, корпус 4, литера А.