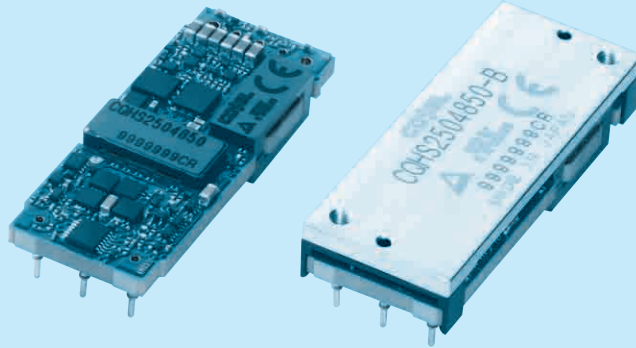
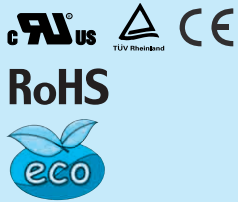


CQHS250

CQH S 250 48 50 -□

① ② ③ ④ ⑤ ⑥



- ① Series name
- ② Single output
- ③ Output wattage
- ④ Input voltage
48:DC36 - 76V
- ⑤ Output voltage
- ⑥ Optional
- R :with Remote ON/OFF
Positive logic control
- N :Auto restart in protection
circuit working
- B :Base plate option with
Mounting hole M3
- L2:Pin length 5.3mm

| | | |
|-----------------------|-------------|-------------|
| MODEL | CQHS2504832 | CQHS2504850 |
| MAX OUTPUT WATTAGE[W] | 252.8 | 250 |
| DC OUTPUT | 32V 7.9A | 50V 5.0A |

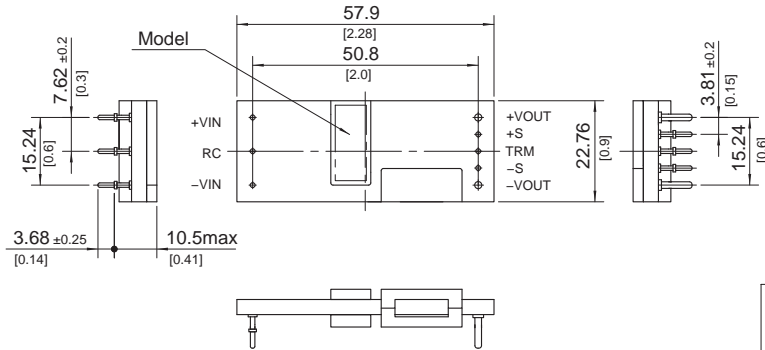
SPECIFICATIONS

| | MODEL | CQHS2504832 | CQHS2504850 | |
|---------------------------------------|---|---|---------------|---------|
| INPUT | VOLTAGE[V] | DC36 - 76 | | |
| | CURRENT[A] | *1 5.60typ | 5.54typ | |
| | EFFICIENCY[%] | *1 94typ | 94typ | |
| | START-UP VOLTAGE[V] | DC32 - 36 | | |
| | HYSTERESIS VOLTAGE[V] | DC2 min | | |
| OUTPUT | VOLTAGE[V] | 32 | 50 | |
| | CURRENT[A] | 7.9 | 5.0 | |
| | LINE REGULATION[mV] | 64max | 100max | |
| | LOAD REGULATION[mV] | 64max | 100max | |
| | RIPPLE[mVp-p] | -20 to +85°C Vin=36-60V *2 | 255max | 400max |
| | | -20 to +85°C Vin=60-76V *2 | 320max | 500max |
| | | -40 to -20°C *2 | 320max | 500max |
| | RIPPLE NOISE[mVp-p] | -20 to +85°C *2 | 320max | 500max |
| | | -40 to -20°C *2 | 410max | 650max |
| | TEMPERATURE REGULATION[mV] | -40 to +85°C | 640max | 1000max |
| | DRIFT[mV] | *3 | 120max | 185max |
| START-UP TIME[ms] | 200max (DCIN 48V, Io=100%) | | | |
| OUTPUT VOLTAGE ADJUSTMENT RANGE[V] *4 | Fixed (TRM pin open), adjustable by external resistor | | | |
| | 26.88 - 35.20 | 45.0 - 55.0 | | |
| OUTPUT VOLTAGE SETTING[V] *1 | 31.68 - 32.32 | 49.50 - 50.50 | | |
| PROTECTION CIRCUIT AND OTHERS | OVERCURRENT PROTECTION | Works over 105% of rating, low voltage protection (shut down) function is built-in. | | |
| | OVERVOLTAGE PROTECTION[V] | 36.80 - 44.80 | 56.50 - 67.50 | |
| | REMOTE SENSING | Provided | | |
| | REMOTE ON/OFF | Provided (Negative Logic L : ON, H :OFF) | | |
| ISOLATION | INPUT-OUTPUT | DC1,500V or AC500V 1minute, Cutoff current = 10mA, DC500V 50MΩ min (20±15°C) | | |
| | INPUT-BASE PLATE *5 | DC1,500V or AC500V 1minute, Cutoff current = 10mA, DC500V 50MΩ min (20±15°C) | | |
| | OUTPUT-BASE PLATE *5 | AC500V 1minute, Cutoff current = 100mA, DC500V 50MΩ min (20±15°C) | | |
| ENVIRONMENT | OPERATING TEMP.,HUMID.AND ALTITUDE | -40 to +85°C, 20 - 95%RH (Non condensing) (Refer to DERATING CURVE), 3,000m (10,000 feet) max | | |
| | STORAGE TEMP.,HUMID.AND ALTITUDE | -40 to +100°C, 20 - 95%RH (Non condensing), 9,000m (30,000 feet) max | | |
| | VIBRATION | 10 - 55Hz, 49.0m/s ² (5G), 3minutes period, 60minutes each along X, Y and Z axis | | |
| | IMPACT | 196.1m/s ² (20G), 11ms, once each along X, Y and Z axis | | |
| SAFETY | AGENCY APPROVALS | UL60950-1, C-UL (CSA60950-1), EN60950-1 | | |
| OTHERS | CASE SIZE/WEIGHT | 57.9 × 10.5 × 22.76mm [2.28 × 0.41 × 0.9 inches] (W × H × D) / 30g max | | |
| | | 58.4 × 12.7 × 23.26mm [2.3 × 0.5 × 0.92 inches] (W × H × D) / 45g max *5 | | |
| | COOLING METHOD | Convection / Forced air / Conduction | | |

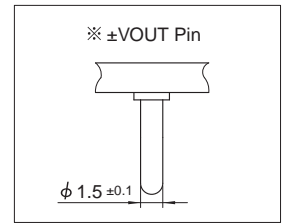
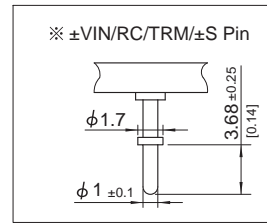
*1 At rated input(DC48V), rated load. Ta= 25°C, 2m/s.
 *2 Ripple and ripple noise is measured by using measuring board. Refer to the manual.
 *3 Drift is the change in DC output for an eight hour period after a half-hour warm-up at 25°C, with the input voltage held constant at the rated input/output.
 *4 When the input voltage is in the range of DC36-40V, output voltage is limited. Refer to the manual.
 *5 Base Plate Option.

External view

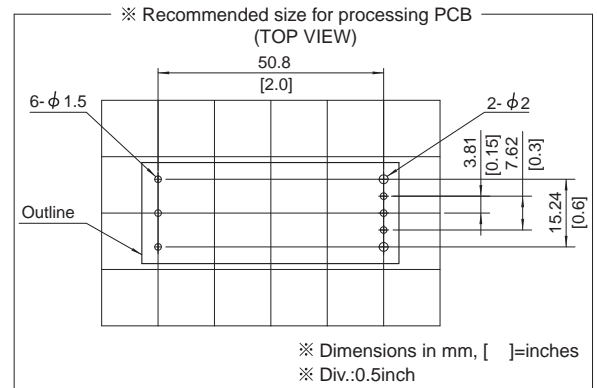
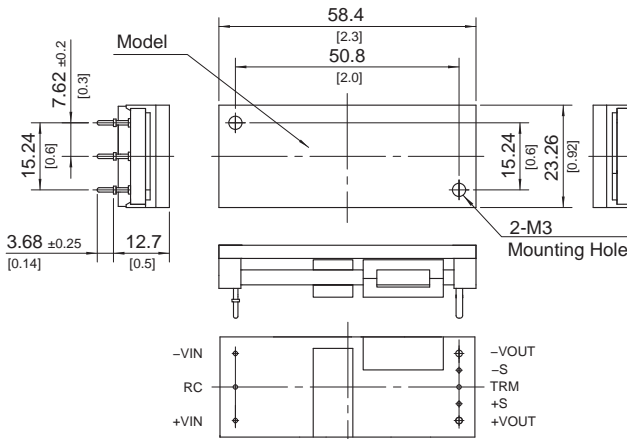
1. DIP



- ※ Tolerance : ±0.5 [±0.02]
- ※ Weight : 30g max(DIP)
45g max(Base Plate)
- ※ Dimensions in mm, []=inches

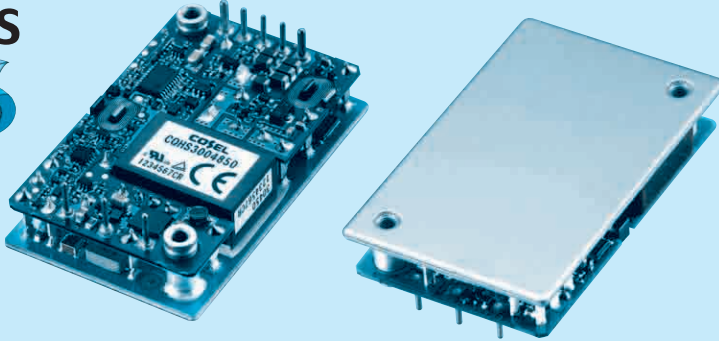
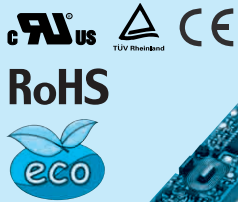


2. Base Plate (option B)

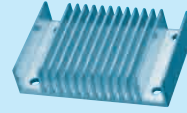


CQHS300

CQH S 300 48 50 - □
 ① ② ③ ④ ⑤ ⑥



*Providing heat sink as option



- ① Series name
- ② Single output
- ③ Output wattage
- ④ Input voltage
48:DC36 - 76V
- ⑤ Output voltage
- ⑥ Optional
- R :with Remote ON/OFF
Positive logic control
- T :with Mounting hole
φ 3.4 thru

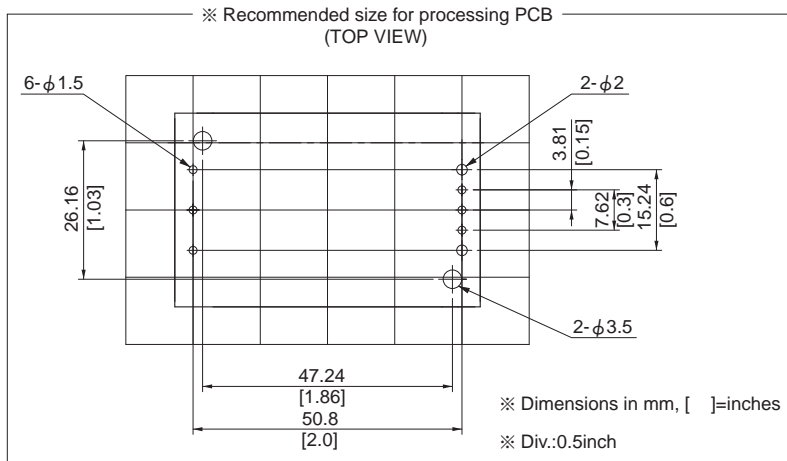
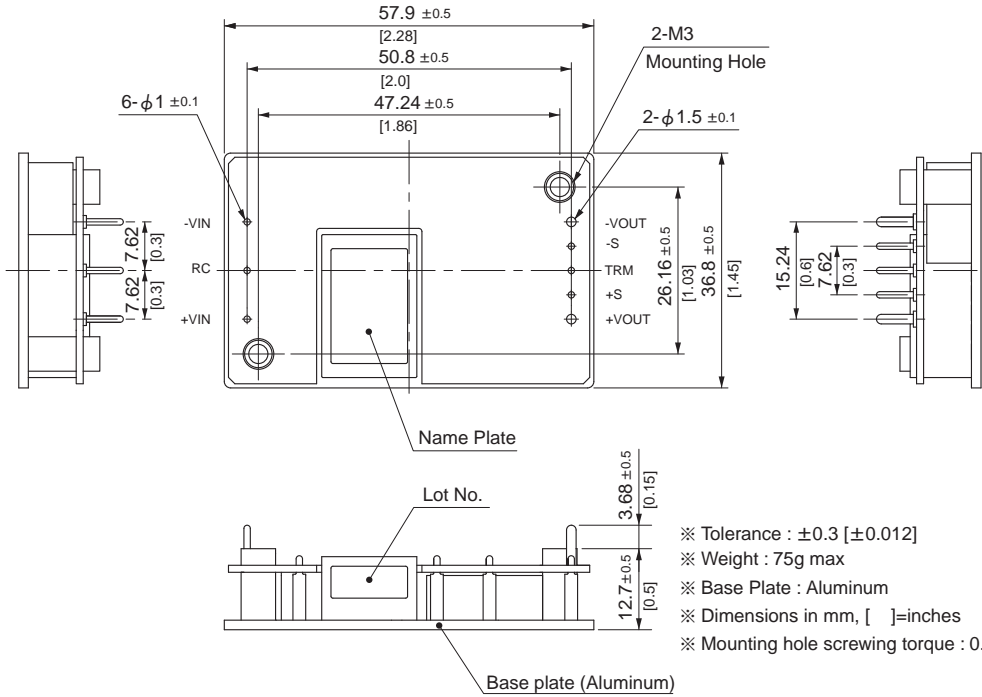
| | | |
|-----------------------|-------------|-------------|
| MODEL | CQHS3004832 | CQHS3004850 |
| MAX OUTPUT WATTAGE[W] | 300.8 | 300 |
| DC OUTPUT | 32V 9.4A | 50V 6A |

SPECIFICATIONS

| | MODEL | CQHS3004832 | CQHS3004850 | |
|---------------------------------------|--------------------------------------|---|---------------|---------|
| INPUT | VOLTAGE[V] | DC36 - 76 | | |
| | CURRENT[A] | 6.67typ | 6.65typ | |
| | EFFICIENCY[%] | 94typ | 94typ | |
| | START-UP VOLTAGE[V] | DC32 - 36 | | |
| | HYSTERESIS VOLTAGE[V] | DC2 min | | |
| OUTPUT | VOLTAGE[V] | 32 | 50 | |
| | CURRENT[A] | 9.4 | 6.0 | |
| | LINE REGULATION[mV] | 64max | 100max | |
| | LOAD REGULATION[mV] | 64max | 100max | |
| | RIPPLE[mVp-p] | -20 to +100°C *2 | 255max | 400max |
| | | -40 to -20°C Vin=36-60V *2 | 320max | 500max |
| | | -40 to -20°C Vin=60-76V *2 | 400max | 500max |
| | RIPPLE NOISE[mVp-p] | -20 to +100°C *2 | 320max | 500max |
| | | -40 to -20°C *2 | 410max | 650max |
| | TEMPERATURE REGULATION[mV] | 0 to +65°C | 320max | 500max |
| | | -40 to +100°C | 640max | 1000max |
| DRIFT[mV] | *3 | 120max | 185max | |
| START-UP TIME[ms] | | 200max (DCIN 48V, Io=100%) | | |
| OUTPUT VOLTAGE ADJUSTMENT RANGE[V] *4 | | Fixed (TRM pin open), adjustable by external resistor | | |
| | | 27.2 - 35.2 | 45.0 - 55.0 | |
| | OUTPUT VOLTAGE SETTING[V]* | 31.68 - 32.32 | 49.50 - 50.50 | |
| PROTECTION CIRCUIT AND OTHERS | OVERCURRENT PROTECTION | Works over 105% of rating, low voltage protection (shut down) function is built-in. | | |
| | OVERVOLTAGE PROTECTION[V] | 36.80 - 44.80 | 56.50 - 67.50 | |
| | REMOTE SENSING | Provided | | |
| | REMOTE ON/OFF | Provided (Negative Logic L : ON, H :OFF) | | |
| ISOLATION | INPUT-OUTPUT | DC1,500V or AC500V 1minute, Cutoff current = 10mA, DC500V 50MΩ min (20±15°C) | | |
| | INPUT-BASE PLATE | DC1,500V or AC500V 1minute, Cutoff current = 10mA, DC500V 50MΩ min (20±15°C) | | |
| | OUTPUT-BASE PLATE | AC500V 1minute, Cutoff current = 100mA, DC500V 50MΩ min (20±15°C) | | |
| ENVIRONMENT | OPERATING TEMP., HUMID. AND ALTITUDE | -40 to +100°C (On aluminum base plate), 20 - 95%RH (Non condensing) (Refer to DERATING CURVE), 3,000m (10,000 feet) max | | |
| | STORAGE TEMP., HUMID. AND ALTITUDE | -40 to +100°C, 20 - 95%RH (Non condensing), 9,000m (30,000 feet) max | | |
| | VIBRATION | 10 - 55Hz, 49.0m/s ² (5G), 3minutes period, 60minutes each along X, Y and Z axis | | |
| | IMPACT | 196.1m/s ² (20G), 11ms, once each along X, Y and Z axis | | |
| SAFETY | AGENCY APPROVALS | UL60950-1, C-UL (CSA60950-1), EN60950-1 | | |
| OTHERS | CASE SIZE/WEIGHT | 57.9×12.7×36.8mm [2.28×0.5×1.45 inches] (W×H×D) / 75g max | | |
| | COOLING METHOD | Conduction cooling (e.g. heat radiation from the aluminum base plate to the attached heat sink) | | |

*1 At rated input(DC48V), rated load, and aluminum base plate temperature 25°C.
 *2 Ripple and ripple noise is measured by using measuring board with recommended capacitor Co & the film capacitor 0.1 μF.
 *3 Drift is the change in DC output for an eight hour period after a half-hour warm-up at 25°C, with the input voltage held constant at the rated input/output.
 *4 When the input voltage is in the range of DC36-40V, output voltage is limited. Refer to the manual.

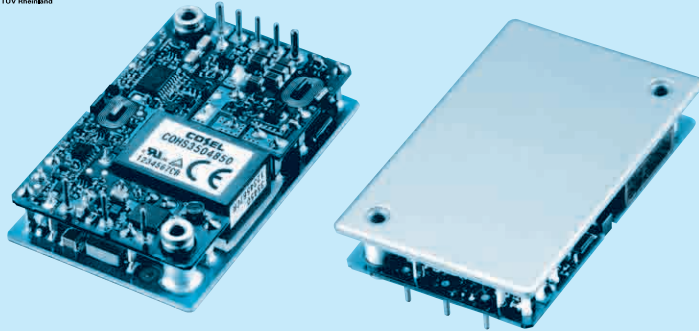
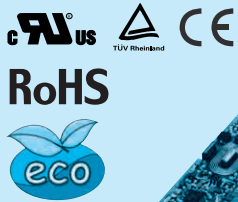
External view



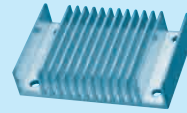
CQHS350

CQH S 350 48 50 -□

① ② ③ ④ ⑤ ⑥



*Providing heat sink as option



- ① Series name
- ② Single output
- ③ Output wattage
- ④ Input voltage
48:DC36 - 65V
- ⑤ Output voltage
- ⑥ Optional
- R :with Remote ON/OFF
Positive logic control
- T :with Mounting hole
φ 3.4 thru

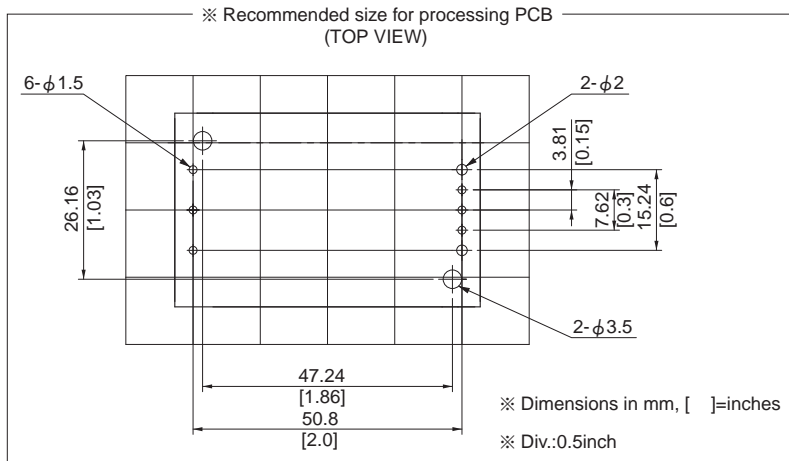
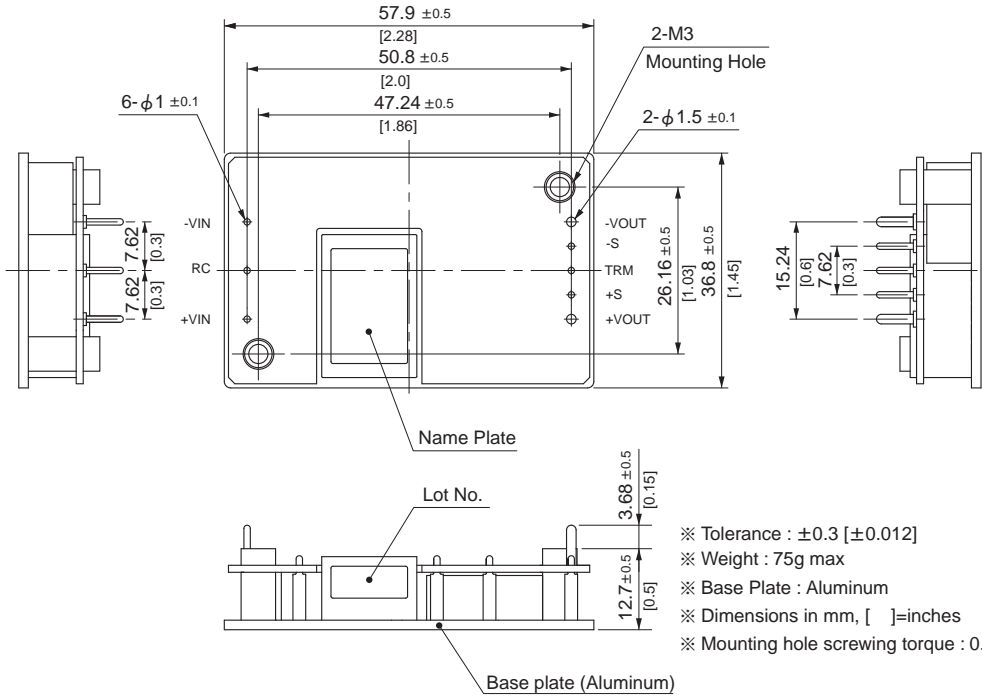
| | | |
|-----------------------|-------------|-------------|
| MODEL | CQHS3504832 | CQHS3504850 |
| MAX OUTPUT WATTAGE[W] | 352 | 350 |
| DC OUTPUT | 32V 11A | 50V 7A |

SPECIFICATIONS

| | MODEL | CQHS3504832 | CQHS3504850 | |
|---------------------------------------|---|---|---------------|---------|
| INPUT | VOLTAGE[V] | DC36 - 65 | | |
| | CURRENT[A] | 7.8typ | 7.76typ | |
| | EFFICIENCY[%] | 94typ | 94typ | |
| | START-UP VOLTAGE[V] | DC32 - 36 | | |
| | HYSTERESIS VOLTAGE[V] | DC2 min | | |
| OUTPUT | VOLTAGE[V] | 32 | 50 | |
| | CURRENT[A] | 11.0 *5 | 7.0 | |
| | LINE REGULATION[mV] | 64max | 100max | |
| | LOAD REGULATION[mV] | 64max | 100max | |
| | RIPPLE[mVp-p] | -20 to +100°C *2 | 255max | 400max |
| | | -40 to -20°C Vin=36-60V *2 | 320max | 500max |
| | | -40 to -20°C Vin=60-65V *2 | 400max | 500max |
| | RIPPLE NOISE[mVp-p] | -20 to +100°C *2 | 320max | 500max |
| | | -40 to -20°C *2 | 410max | 650max |
| | TEMPERATURE REGULATION[mV] | 0 to +65°C | 320max | 500max |
| | | -40 to +100°C | 640max | 1000max |
| | DRIFT[mV] | *3 | 120max | 185max |
| START-UP TIME[ms] | 200max (DCIN 48V, Io=100%) | | | |
| OUTPUT VOLTAGE ADJUSTMENT RANGE[V] *4 | Fixed (TRM pin open), adjustable by external resistor | | | |
| | 26.88 - 35.20 | | | |
| | 45.0 - 55.0 | | | |
| OUTPUT VOLTAGE SETTING[V] *1 | 31.68 - 32.32 | 49.50 - 50.50 | | |
| PROTECTION CIRCUIT AND OTHERS | OVERCURRENT PROTECTION | Works over 105% of rating, low voltage protection (shut down) function is built-in. | | |
| | OVERVOLTAGE PROTECTION[V] | 36.80 - 44.80 | 56.50 - 67.50 | |
| | REMOTE SENSING | Provided | | |
| | REMOTE ON/OFF | Provided (Negative Logic L : ON, H :OFF) | | |
| ISOLATION | INPUT-OUTPUT | DC1,500V or AC500V 1minute, Cutoff current = 10mA, DC500V 50MΩ min (20±15°C) | | |
| | INPUT-BASE PLATE | DC1,500V or AC500V 1minute, Cutoff current = 10mA, DC500V 50MΩ min (20±15°C) | | |
| | OUTPUT-BASE PLATE | AC500V 1minute, Cutoff current = 100mA, DC500V 50MΩ min (20±15°C) | | |
| ENVIRONMENT | OPERATING TEMP., HUMID. AND ALTITUDE | -40 to +100°C (On aluminum base plate), 20 - 95%RH (Non condensing) (Refer to DERATING CURVE), 3,000m (10,000 feet) max | | |
| | STORAGE TEMP., HUMID. AND ALTITUDE | -40 to +100°C, 20 - 95%RH (Non condensing), 9,000m (30,000 feet) max | | |
| | VIBRATION | 10 - 55Hz, 49.0m/s ² (5G), 3minutes period, 60minutes each along X, Y and Z axis | | |
| | IMPACT | 196.1m/s ² (20G), 11ms, once each along X, Y and Z axis | | |
| SAFETY | AGENCY APPROVALS | UL60950-1, C-UL (CSA60950-1), EN60950-1 | | |
| OTHERS | CASE SIZE/WEIGHT | 57.9×12.7×36.8mm [2.28×0.5×1.45 inches] (W×H×D) / 75g max | | |
| | COOLING METHOD | Conduction cooling (e.g. heat radiation from the aluminum base plate to the attached heat sink) | | |

*1 At rated input(DC48V), rated load, and aluminum base plate temperature 25°C.
 *2 Ripple and ripple noise is measured by using measuring board with recommended capacitor Co & the film capacitor 0.1 μF.
 *3 Drift is the change in DC output for an eight hour period after a half-hour warm-up at 25°C, with the input voltage held constant at the rated input/output.
 *4 When the input voltage is in the range of DC36-40V, output voltage is limited. Refer to the manual.
 *5 Rated current is increased adjusting output voltage to lower than rated output voltage. Refer to the manual.

External view



Mouser Electronics

Authorized Distributor

Click to View Pricing, Inventory, Delivery & Lifecycle Information:

Cosel:

[CQHS3004850-T](#) [CQHS3004832](#) [CQHS3004832-T](#) [CQHS3004832-RT](#) [CQHS3004850-R](#) [CQHS3004850-RT](#)
[CQHS3004850](#) [CQHS3004832-R](#)



Компания «ЭлектроПласт» предлагает заключение долгосрочных отношений при поставках импортных электронных компонентов на взаимовыгодных условиях!

Наши преимущества:

- Оперативные поставки широкого спектра электронных компонентов отечественного и импортного производства напрямую от производителей и с крупнейших мировых складов;
- Поставка более 17-ти миллионов наименований электронных компонентов;
- Поставка сложных, дефицитных, либо снятых с производства позиций;
- Оперативные сроки поставки под заказ (от 5 рабочих дней);
- Экспресс доставка в любую точку России;
- Техническая поддержка проекта, помощь в подборе аналогов, поставка прототипов;
- Система менеджмента качества сертифицирована по Международному стандарту ISO 9001;
- Лицензия ФСБ на осуществление работ с использованием сведений, составляющих государственную тайну;
- Поставка специализированных компонентов (Xilinx, Altera, Analog Devices, Intersil, Interpoint, Microsemi, Aeroflex, Peregrine, Syfer, Eurofarad, Texas Instrument, Miteq, Cobham, E2V, MA-COM, Hittite, Mini-Circuits, General Dynamics и др.);

Помимо этого, одним из направлений компании «ЭлектроПласт» является направление «Источники питания». Мы предлагаем Вам помощь Конструкторского отдела:

- Подбор оптимального решения, техническое обоснование при выборе компонента;
- Подбор аналогов;
- Консультации по применению компонента;
- Поставка образцов и прототипов;
- Техническая поддержка проекта;
- Защита от снятия компонента с производства.



Как с нами связаться

Телефон: 8 (812) 309 58 32 (многоканальный)

Факс: 8 (812) 320-02-42

Электронная почта: org@eplast1.ru

Адрес: 198099, г. Санкт-Петербург, ул. Калинина, дом 2, корпус 4, литера А.