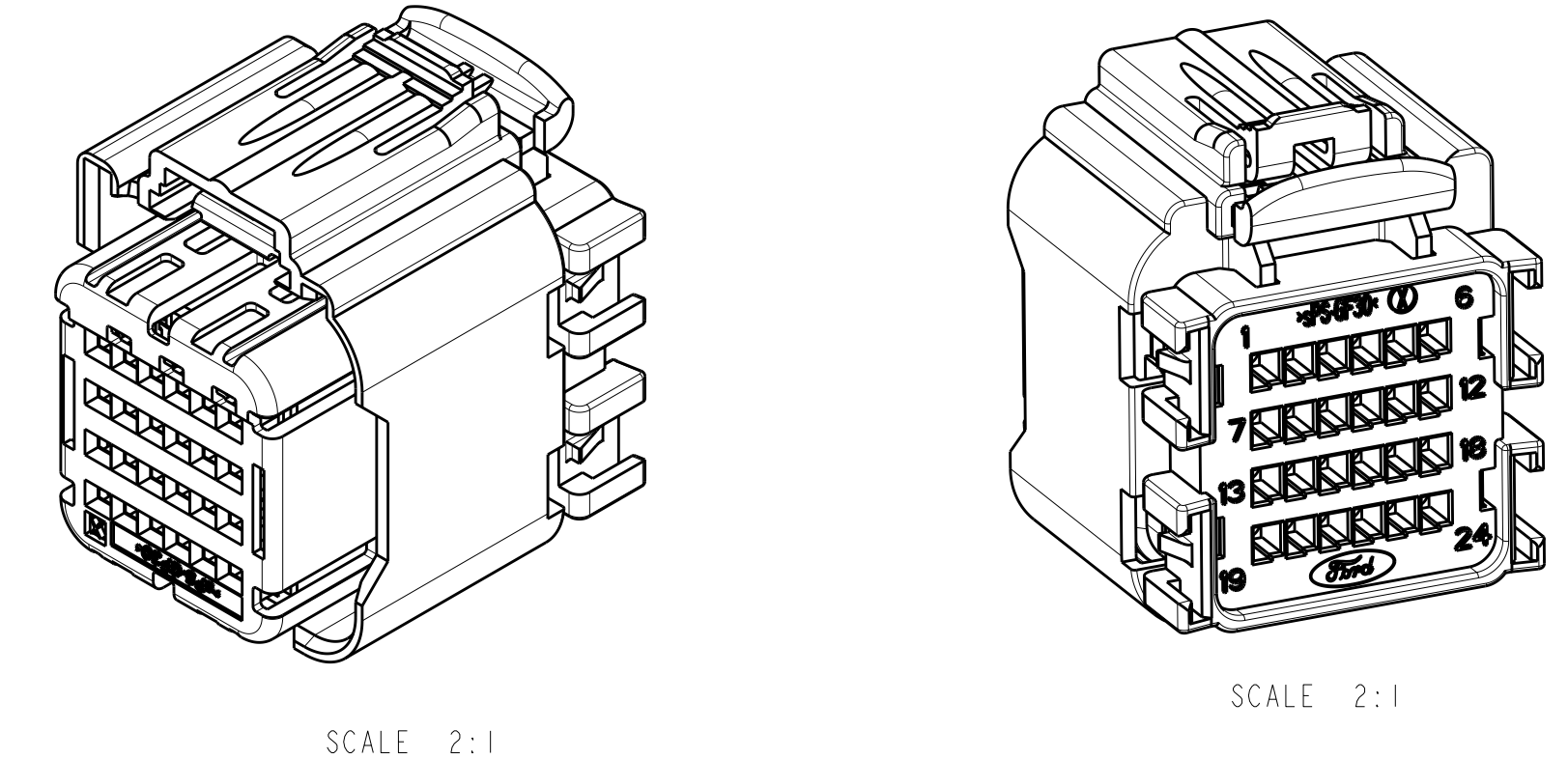
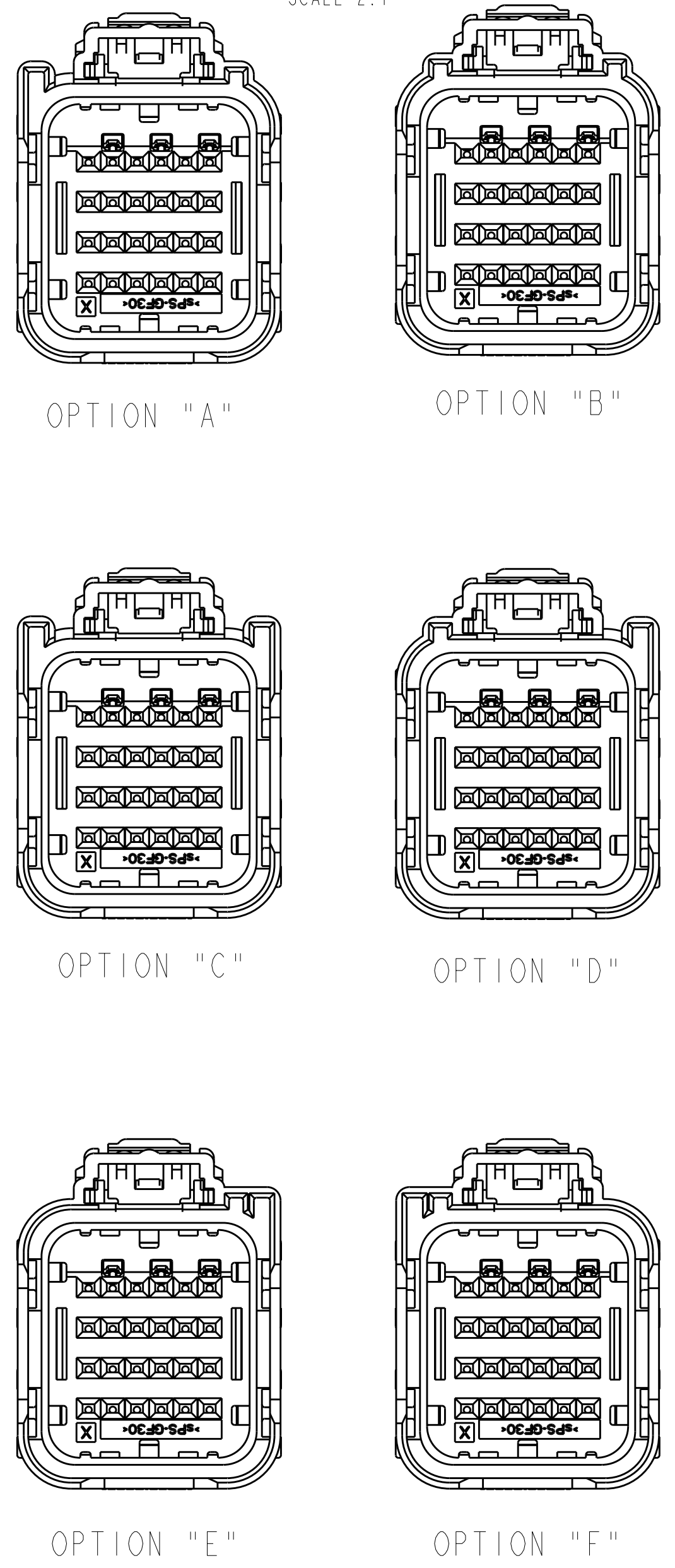
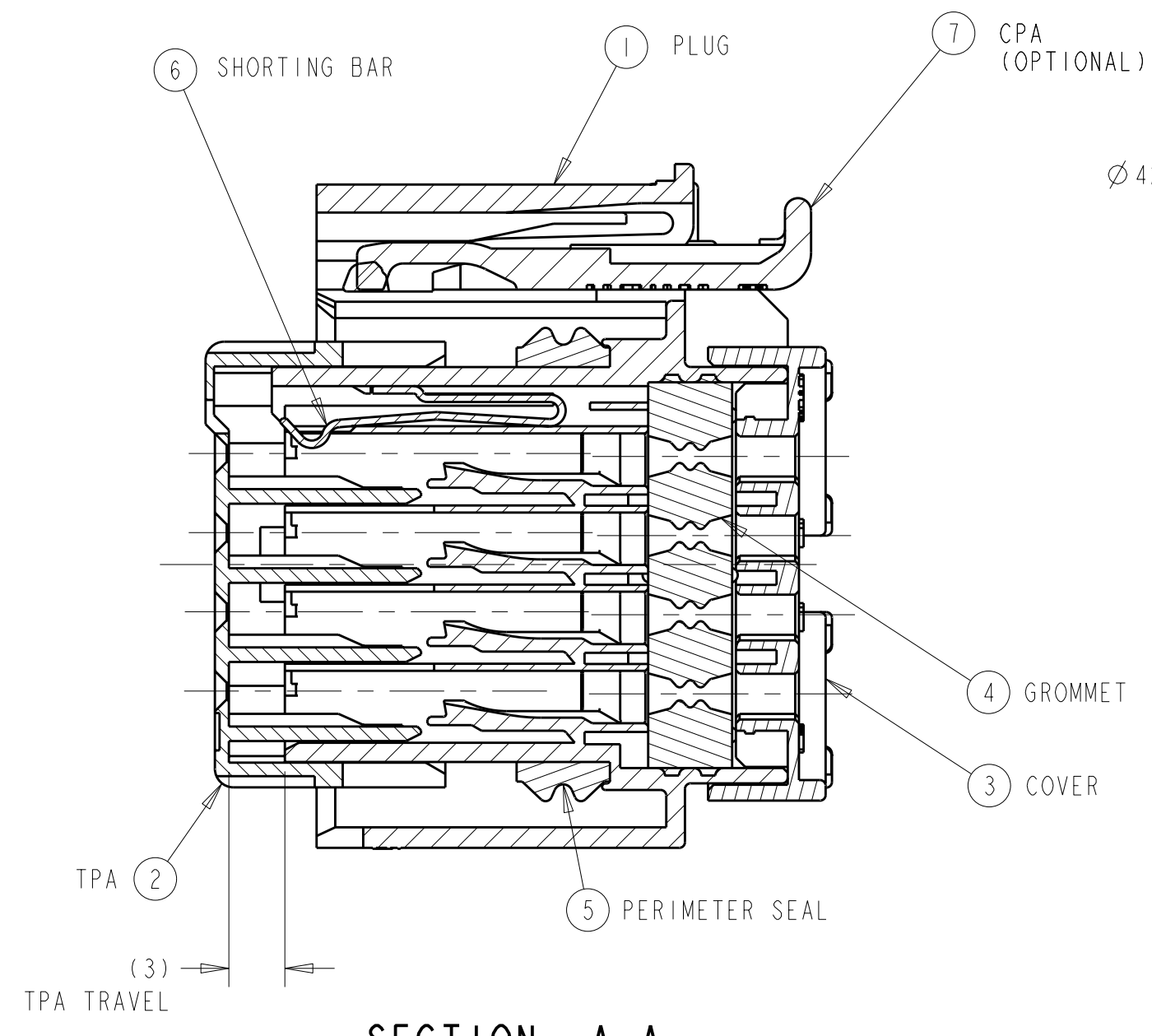
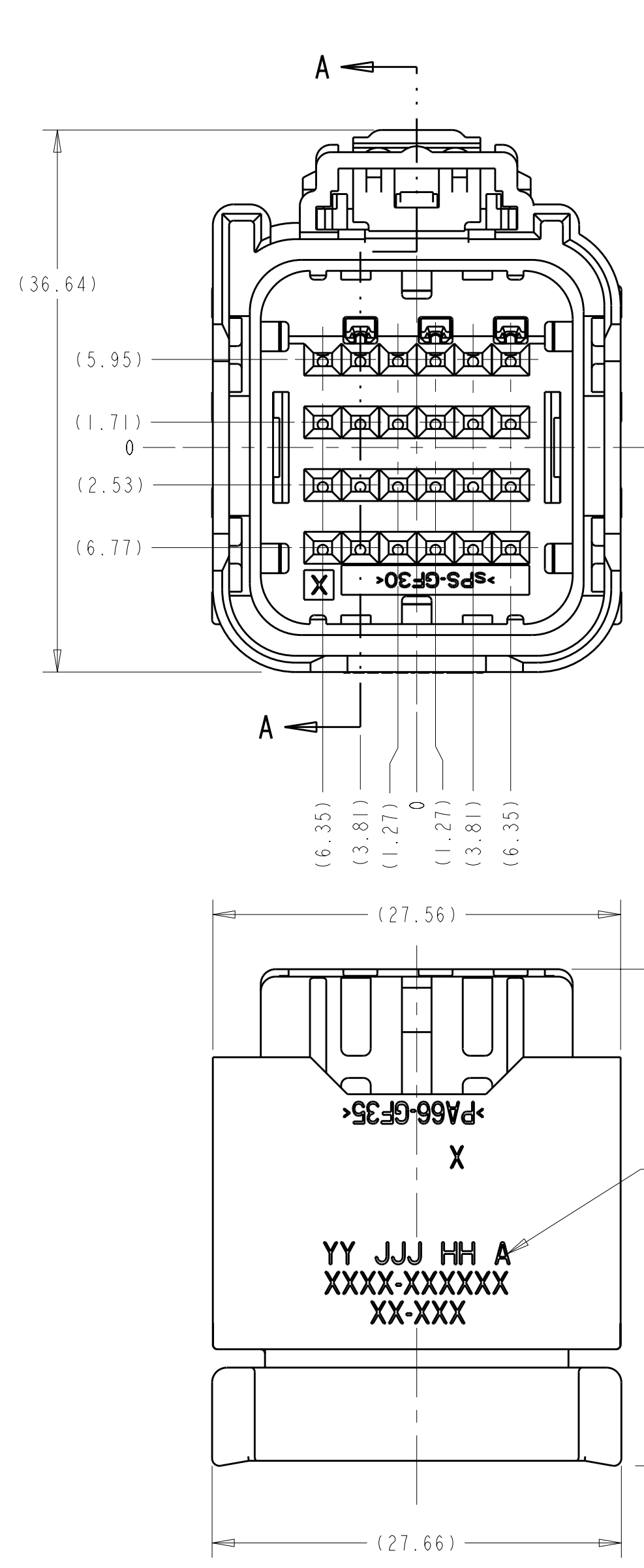


KEYING OPTIONS SCALE 2:1

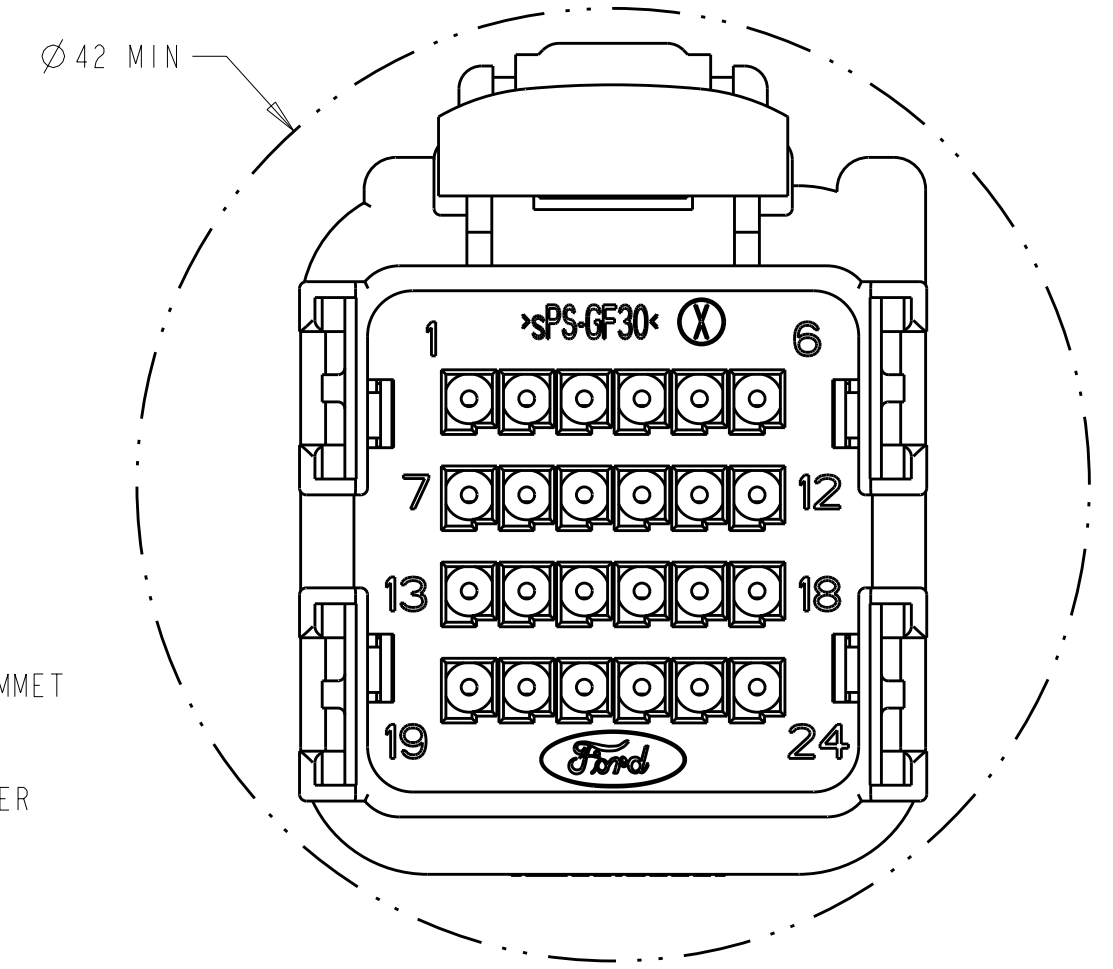
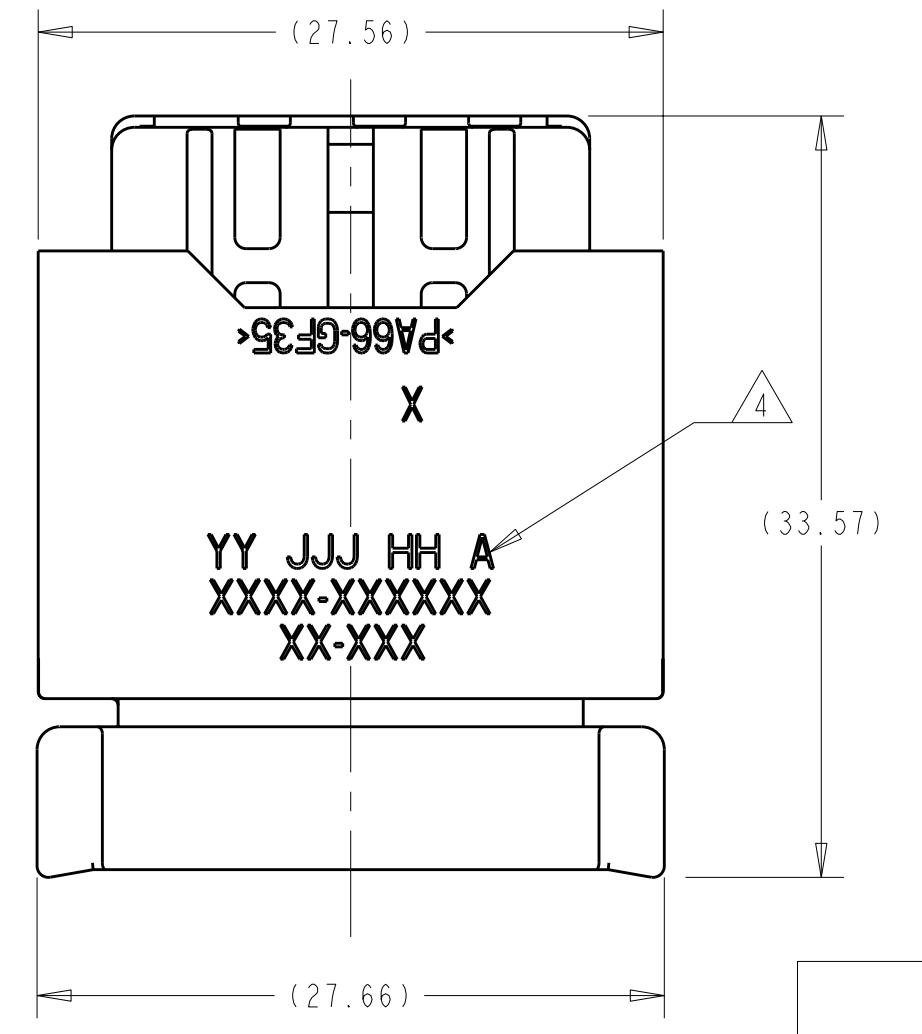


SCALE 2:1

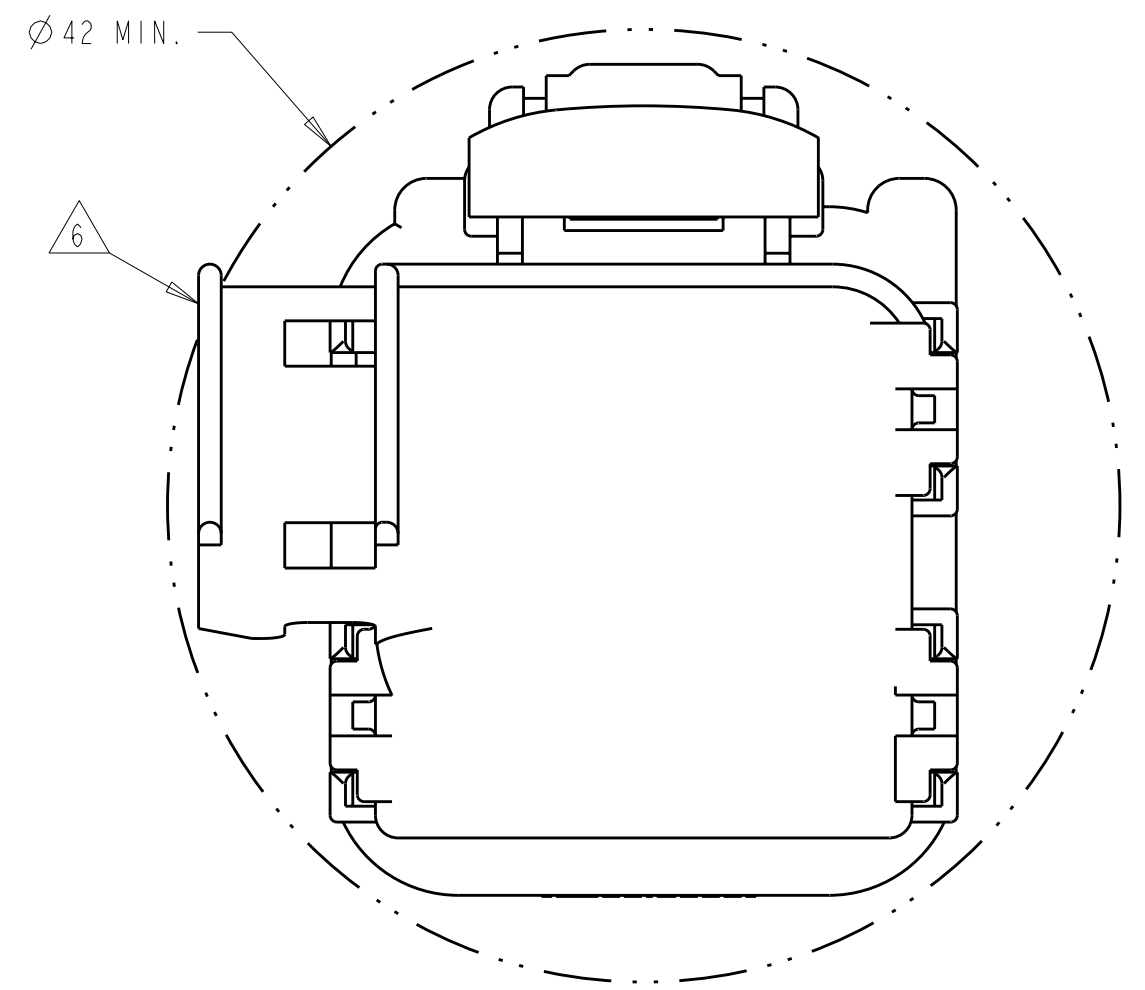
SCALE 2:1



SECTION A-A
 SHOWN WITH TPA IN
 IT'S PRE-LOADED POSITION
 (DELIVERY CONDITON)



MINIMUM FEED THROUGH CONDITION
 WITH 1mm CLEARANCE ALL AROUND



MINIMUM FEED THROUGH CONDITION
 WITH 1mm CLEARANCE ALL AROUND
 SHOWN WITH OPTION WIRESHIELD

1. APPLICABLE TERMINAL PART NUMBERS (SOLD SEPARATELY):
 FOR TIN APPLICATIONS: 1393367 AND 1393366.
 FOR GOLD APPLICATIONS: 1393365 AND 1393364.
 FOR TERMINATION AND REELING OPTIONS
 SEE DRAWINGS 1393367, 1393366, 1393365, AND 1393364.
2. COMPATIBLE WIRE SIZES FOR MAT SEAL DESIGN 1.19 TO 2.06 O.D.
 (22-18 AWG, 0.35-0.75 mm²)
3. TPA IS SHIPPED IN IT'S PRE-LOADED POSITION. ALL ASSEMBLIES ARE TO BE TRAY PACKAGED.
4. CUSTOMER PART NUMBER AND TRACEABILITY CODE (YY = TWO DIGIT YEAR, JJJ = JULIAN DAY, HH = TWO DIGIT MILITARY HOUR, A = ASSEMBLY PROCESS USED) ARE PRINTED IN THIS LOCATION.
5. PART ASSEMBLY WEIGHT WITHOUT TERMINALS AND WITH STANDARD PIN-OUT CONFIGURATION IS 14.39 GRAMS.
6. OPTIONAL WIRESHIELD P/N 7-1419157-8 (SOLD SEPARATELY). PLEASE CONTACT YOUR TYCO ELECTRONICS SALES REPRESENTATIVE FOR AVAILABILITY AND PRICING.

ASSEMBLY PART NUMBERS

QTY	2-1924675-2	2-1924675-1	2-1924675-0	1-1924675-9	1-1924675-8	1-1924675-7	1-1924675-6	1-1924675-5	1-1924675-4	1-1924675-3	1-1924675-2	1-1924675-1	1-1924675-0	1924675-9	1924675-8	1924675-7	1924675-6	1924675-5	1924675-4	1924675-3	1924675-2	1924675-1	1924674-3	1-1924674-2	1-1924674-1	1-1924674-0	1924674-9	1924674-8	1924674-7	1924674-6	1924674-5	1924674-4	1924674-3	1924674-2	1924674-1				
	2	2	2	2	2	2	2	2	2	2	2	2	2	2	2	2	2	2	2	2	2	2	2	2	2	2	2	2	2	2	2	2	2	2	2	2	2	2	2

KEYING OPTION "A" SHOWN

ITEM	DESCRIPTION	MATERIAL	FINISH/COLOR
7	CPA	PBT-GF15	RED
6	SHORTING BAR	S.S.	SEE COMPONENT DRAWING
5	PERIMETER SEAL	SILICONE	GREEN
4	GROMMET	SILICONE	BROWN
3	COVER	PA66 35% GF	BLACK
2	TPA WITH 3 SHORTING BAR POSITIONS CONFIGURATION	sPS 30% GF	NATURAL
1	PLUG WITH KEYING OPTION "F" AND 3 SHORTING BAR POSITIONS CONFIGURATION	PA66 30% GF	BLACK
1	PLUG WITH KEYING OPTION "E" AND 3 SHORTING BAR POSITIONS CONFIGURATION	PA66 35% GF	BLACK
1	PLUG WITH KEYING OPTION "C" AND 3 SHORTING BAR POSITIONS CONFIGURATION	PA66 35% GF	BLACK
1	PLUG WITH KEYING OPTION "A" AND 3 SHORTING BAR POSITIONS CONFIGURATION	PA66 35% GF	BLACK
1	PLUG WITH KEYING OPTION "D" AND 3 SHORTING BAR POSITIONS CONFIGURATION	PA66 35% GF	BLACK
1	PLUG WITH KEYING OPTION "C" AND 3 SHORTING BAR POSITIONS CONFIGURATION	PA66 35% GF	NATURAL
1	PLUG WITH KEYING OPTION "B" AND 3 SHORTING BAR POSITIONS CONFIGURATION	PA66 35% GF	BLACK
1	PLUG WITH KEYING OPTION "A" AND 3 SHORTING BAR POSITIONS CONFIGURATION	PA66 35% GF	GRAY

QUANTITY

THIS DRAWING IS A CONTROLLED DOCUMENT.


DIMENSIONS: mm	TOLERANCES UNLESS OTHERWISE SPECIFIED: 3 PLC ± 1 PLC ±0.3 5 PLC ±0.10 4 PLC ± ANGLES ±	SWN BR VESTAL 24JUL2007 CHK W WELLINSKY 24JUL2007 APVD W WELLINSKY 24JUL2007	NAME 24 WAY ARM PLUG ASSEMBLY WITH SELECT LOAD SHORTING BARS CUSTOMER SPEC.
MATERIAL SEE CHART ABOVE	FINISH	WEIGHT SEE NOTE 5	SIZE A1 00779 C-1924674
		CUSTOMER DRAWING	SCALE 3:1 SHEET 1 OF 5 REV S

STE TE Connectivity

THIS DRAWING IS UNPUBLISHED. RELEASED FOR PUBLICATION 20
 © COPYRIGHT 20 BY ALL RIGHTS RESERVED.

LOC	DIST	REVISIONS			
		REV	DATE	BY	APPD
FX	00	-	-	-	-
		-	-	-	-
		-	-	-	-
		-	-	-	-

ASSEMBLY PART NUMBERS													
2098376-1										7	CPA	PBT-GF15	RED
										6	SHORTING BAR	S.S.	SEE COMPONENT DRAWING
										5	PERIMETER SEAL	SILICONE	GREEN
										4	GROMMET	SILICONE	BROWN
										3	COVER	PA66 35% GF	BLACK
										2	3 SHORTING BAR POSITIONS CONFIGURATION TPA WITH KEYING OPTION "F" AND 3 SHORTING BAR POSITIONS CONFIGURATION	sPS 30% GF	NATURAL
										1	3 SHORTING BAR POSITIONS CONFIGURATION PLUG WITH KEYING OPTION "E" AND 3 SHORTING BAR POSITIONS CONFIGURATION	PA66 30% GF	BLACK
										1	3 SHORTING BAR POSITIONS CONFIGURATION PLUG WITH KEYING OPTION "E" AND 3 SHORTING BAR POSITIONS CONFIGURATION	PA66 35% GF	BLACK
										1	3 SHORTING BAR POSITIONS CONFIGURATION PLUG WITH KEYING OPTION "C" AND 3 SHORTING BAR POSITIONS CONFIGURATION	PA66 35% GF	BLACK
										1	3 SHORTING BAR POSITIONS CONFIGURATION PLUG WITH KEYING OPTION "A" AND 3 SHORTING BAR POSITIONS CONFIGURATION	PA66 35% GF	BLACK
										1	3 SHORTING BAR POSITIONS CONFIGURATION PLUG WITH KEYING OPTION "D" AND 3 SHORTING BAR POSITIONS CONFIGURATION	PA66 35% GF	BLACK
										1	3 SHORTING BAR POSITIONS CONFIGURATION PLUG WITH KEYING OPTION "C" AND 3 SHORTING BAR POSITIONS CONFIGURATION	PA66 35% GF	NATURAL
										1	3 SHORTING BAR POSITIONS CONFIGURATION PLUG WITH KEYING OPTION "B" AND 3 SHORTING BAR POSITIONS CONFIGURATION	PA66 35% GF	BLACK
										1	3 SHORTING BAR POSITIONS CONFIGURATION PLUG WITH KEYING OPTION "A" AND 3 SHORTING BAR POSITIONS CONFIGURATION	PA66 35% GF	GRAY
											QUANTITY	DESCRIPTION	MATERIAL FINISH/COLOR


THIS DRAWING IS A CONTROLLED DOCUMENT.		DWN R. VESTAL 24JUL2007	 TE Connectivity
DIMENSIONS: mm		CHK W. WELLINSKY 24JUL2007	
TOLERANCES UNLESS OTHERWISE SPECIFIED:		APVD W. WELLINSKY 24JUL2007	
0 PLC ± 1 PLC ±0.3 2 PLC ±0.10 3 PLC ± 4 PLC ± ANGLES ±° FINISH		PRODUCT SPEC APPLICATION SPEC WEIGHT CUSTOMER DRAWING	
MATERIAL SEE CHART ABOVE		NAME 24 WAY ARM PLUG ASSEMBLY WITH SELECT LOAD SHORTING BARS CUSTOMER SPEC. SIZE CAGE CODE DRAWING NO A1 00779 C=1924674 SCALE 3:1 SHEET 2 OF 5 REV S	RESTRICTED TO

THIS DRAWING IS UNPUBLISHED.	RELEASED FOR PUBLICATION	20
COPYRIGHT 20 BY		ALL RIGHTS RESERVED.

LOC	DIST	REVISIONS			
		REV	DATE	BY	APPD
FX	00				
		1			
		SEE SHEET 1			

PIN-OUT CHART

SHORTING BAR POSITION		TERMINAL HOLE POSITION																						CPA	ASSEMBLY PART NUMBER	PLUG KEYING OPTION			
		1	2				5	6	7	8	9	10	11	12		14	15	16	17	18		21	23	24					
3 / 4	1 / 2	1	2				5	6	7	8	9	10	11	12		14	15	16	17	18		21	23	24	N	1-1924674-3	KEY "A"		
3 / 4	1 / 2						5	6	7	8	9	10	11	12		14	15	16	17	18		21	23	24	N	1-1924674-2	KEY "A"		
3 / 4	1 / 2						5	6					11	12		14	15	16	17	18	19	20	21	23	24	N	1-1924674-1	KEY "A"	
3 / 4	1 / 2						5	6					11	12		14	15	16	17	18		20	21	23	24	N	1-1924674-0	KEY "A"	
3 / 4	1 / 2						5	6	7	8	9	10	11	12		14	15	16	17	18		21	23	24	N	1924674-9	KEY "A"		
3 / 4	1 / 2						5	6					11	12		15	16	17	18	19	20	21	23	24	N	1924674-8	KEY "A"		
3 / 4	1 / 2						5	6							14	15	16	17	18	19	20	21	23	24	N	1924674-7	KEY "A"		
3 / 4	1 / 2						5	6							14	15	16	17	18		20	21	23	24	N	1924674-6	KEY "A"		
3 / 4	1 / 2						5	6							15	16	17	18		20	21	23	24	N	1924674-5	KEY "A"			
3 / 4	1 / 2						5	6					11	12		15	16	17	18		20	21	23	24	N	1924674-4	KEY "A"		
3 / 4	1 / 2						5	6					11	12		15	16	17	18		21	22	23		N	1924674-3	KEY "A"		
3 / 4	1 / 2						5	6					11	12		15	16		18		21	22	23		N	1924674-2	KEY "A"		
3 / 4	1 / 2																								N	1924674-1	KEY "A"		
5 / 6	3 / 4	1 / 2	1	2	3	4	5	6	7	8	9	10	11	12	13	14	15	16	17	18	19	20	21	22	23	24			
SHORTING BAR POSITION		TERMINAL HOLE POSITION																						CPA	ASSEMBLY PART NUMBER	PLUG KEYING OPTION			
CAVITIES W/ A NUMERIC SYMBOL INDICATE SHORTING BAR LOADED		CAVITIES WITH A NUMERIC SYMBOL INDICATE CLOSED TERMINAL HOLE POSITIONS																											
BLANK CAVITIES INDICATE NO SHORTING BAR LOADED		BLANK CAVITIES INDICATE OPEN TERMINAL HOLE POSITIONS																											

THIS DRAWING IS A CONTROLLED DOCUMENT.		DWN BY: VESTAL 24JUL2007		 TE Connectivity	
DIMENSIONS: mm		CHK BY: W. WELLINSKY 24JUL2007			
TOLERANCES UNLESS OTHERWISE SPECIFIED:		APVD BY: W. WELLINSKY 24JUL2007			
0 PLC	±0.3	PRODUCT SPEC		NAME: 24 WAY ARM PLUG ASSEMBLY	
1 PLC	±0.10	APPLICATION SPEC		WITH SELECT LOAD SHORTING BARS	
2 PLC	±			CUSTOMER SPEC.	
3 PLC	±			SIZE: CAGE CODE: DRAWING NO:	
4 PLC	±			RESTRICTED TO:	
ANGLES	±°			A1 00779 C=1924674	
FINISH				SCALE: 3:1 SHEET: 3 OF 5 REV: S	
MATERIAL: SEE CHART ABOVE		WEIGHT: -		CUSTOMER DRAWING	

LOC	DIST	REV	DATE	BY	APPD
FX	00				

REV	DATE	DESCRIPTION	DATE	BY	APPD
-	-	SEE SHEET 1	-	-	-

PIN-OUT CHART

SHORTING BAR POSITION	TERMINAL HOLE POSITION																								CPA	ASSEMBLY PART NUMBER	PLUG KEYING OPTION			
3 / 4	1 / 2																											Y	2-1924675-2	KEY "A"
3 / 4	1 / 2																											Y	2-1924675-1	KEY "A"
3 / 4	1 / 2	1	2	3	4																							Y	2-1924675-0	KEY "A"
3 / 4	1 / 2																											Y	1-1924675-9	KEY "A"
3 / 4	1 / 2																											Y	1-1924675-8	KEY "A"
3 / 4	1 / 2																											Y	1-1924675-7	KEY "A"
3 / 4	1 / 2																											Y	1-1924675-6	KEY "A"
3 / 4	1 / 2																											Y	1-1924675-5	KEY "A"
3 / 4	1 / 2																											Y	1-1924675-4	KEY "A"
3 / 4	1 / 2																											Y	1-1924675-3	KEY "A"
3 / 4	1 / 2																											Y	1-1924675-2	KEY "A"
3 / 4	1 / 2																											Y	1-1924675-1	KEY "A"
3 / 4	1 / 2																											Y	1-1924675-0	KEY "A"
3 / 4	1 / 2																											Y	1924675-9	KEY "A"
3 / 4	1 / 2																											Y	1924675-8	KEY "A"
3 / 4	1 / 2																											Y	1924675-7	KEY "A"
3 / 4	1 / 2																											Y	1924675-6	KEY "A"
3 / 4	1 / 2																											Y	1924675-5	KEY "A"
3 / 4	1 / 2																											Y	1924675-4	KEY "A"
3 / 4	1 / 2																											Y	1924675-3	KEY "A"
3 / 4	1 / 2																											Y	1924675-2	KEY "A"
3 / 4	1 / 2																											Y	1924675-1	KEY "A"
5 / 6	3 / 4	1 / 2	1	2	3	4	5	6	7	8	9	10	11	12	13	14	15	16	17	18	19	20	21	22	23	24	CPA	ASSEMBLY PART NUMBER	PLUG KEYING OPTION	

CAVITIES W/ A NUMERIC SYMBOL INDICATE SHORTING BAR LOADED	CAVITIES WITH A NUMERIC SYMBOL INDICATE CLOSED TERMINAL HOLE POSITIONS
BLANK CAVITIES INDICATE NO SHORTING BAR LOADED	BLANK CAVITIES INDICATE OPEN TERMINAL HOLE POSITIONS

THIS DRAWING IS A CONTROLLED DOCUMENT.

DIMENSIONS: mm	TOLERANCES UNLESS OTHERWISE SPECIFIED: 9 PLC ±.3 5 PLC ±0.10 4 PLC ±. ANGLES ±.5° FINISH	DWN R. VESTAL 24JUL2007 CHK W. WELLINSKY 24JUL2007 APVD W. WELLINSKY 24JUL2007	NAME 24 WAY ARM PLUG ASSEMBLY WITH SELECT LOAD SHORTING BARS CUSTOMER SPEC.
MATERIAL SEE CHART ABOVE	WEIGHT	SIZE A1 00779	RESTRICTED TO


STE TE Connectivity
SCALE 3:1 SHEET 4 OF 5 REV S

THIS DRAWING IS UNPUBLISHED. RELEASED FOR PUBLICATION. COPYRIGHT 20 BY . ALL RIGHTS RESERVED.

LOC	DIST	REVISIONS			
P	LTB	DESCRIPTION	DATE	DWN	APVD
FX	00	SEE SHEET 1	-	-	-

PIN-OUT CHART

SHORTING BAR POSITION		TERMINAL HOLE POSITION																								CPA	ASSEMBLY PART NUMBER	PLUG KEYING OPTION		
5 / 6	3 / 4	1 / 2	1	2	3	4	5	6	7	8	9	10	11	12	13	14	15	16	17	18	19	20	21	22	23				24	
		1 / 2																										N	2098376-1	KEY "F"
		1 / 2																										N	1924686-1	KEY "E"
		1 / 2																										N	1924685-1	KEY "D"
		1 / 2																										N	1924684-1	KEY "C"
		1 / 2																										N	1924683-1	KEY "B"
		1 / 2																										N	1924682-1	KEY "A"
CAVITIES W/ A NUMERIC SYMBOL INDICATE SHORTING BAR LOADED		CAVITIES WITH A NUMERIC SYMBOL INDICATE CLOSED TERMINAL HOLE POSITIONS																												
BLANK CAVITIES INDICATE NO SHORTING BAR LOADED		BLANK CAVITIES INDICATE OPEN TERMINAL HOLE POSITIONS																												

THIS DRAWING IS A CONTROLLED DOCUMENT.		DWN R. VESTAL 24JUL2007	 TE Connectivity	
DIMENSIONS: mm		CHK W. WELLINSKY 24JUL2007		
TOLERANCES UNLESS OTHERWISE SPECIFIED:		APVD W. WELLINSKY 24JUL2007	NAME 24 WAY ARM PLUG ASSEMBLY WITH SELECT LOAD SHORTING BARS CUSTOMER SPEC.	
9 PLC ± .1		PRODUCT SPEC	SIZE CAGE CODE DRAWING NO	
1 PLC ±0.3		APPLICATION SPEC	A1 00779 C=1924674	
5 PLC ± .10		WEIGHT	RESTRICTED TO	
4 PLC ± .1		CUSTOMER DRAWING	SCALE 3:1 SHEET 5 OF 5 REV S	
ANGLES ±°				
FINISH				
SEE CHART ABOVE				



Компания «ЭлектроПласт» предлагает заключение долгосрочных отношений при поставках импортных электронных компонентов на взаимовыгодных условиях!

Наши преимущества:

- Оперативные поставки широкого спектра электронных компонентов отечественного и импортного производства напрямую от производителей и с крупнейших мировых складов;
- Поставка более 17-ти миллионов наименований электронных компонентов;
- Поставка сложных, дефицитных, либо снятых с производства позиций;
- Оперативные сроки поставки под заказ (от 5 рабочих дней);
- Экспресс доставка в любую точку России;
- Техническая поддержка проекта, помощь в подборе аналогов, поставка прототипов;
- Система менеджмента качества сертифицирована по Международному стандарту ISO 9001;
- Лицензия ФСБ на осуществление работ с использованием сведений, составляющих государственную тайну;
- Поставка специализированных компонентов (Xilinx, Altera, Analog Devices, Intersil, Interpoint, Microsemi, Aeroflex, Peregrine, Syfer, Eurofarad, Texas Instrument, Miteq, Cobham, E2V, MA-COM, Hittite, Mini-Circuits, General Dynamics и др.);

Помимо этого, одним из направлений компании «ЭлектроПласт» является направление «Источники питания». Мы предлагаем Вам помощь Конструкторского отдела:

- Подбор оптимального решения, техническое обоснование при выборе компонента;
- Подбор аналогов;
- Консультации по применению компонента;
- Поставка образцов и прототипов;
- Техническая поддержка проекта;
- Защита от снятия компонента с производства.



Как с нами связаться

Телефон: 8 (812) 309 58 32 (многоканальный)

Факс: 8 (812) 320-02-42

Электронная почта: org@eplast1.ru

Адрес: 198099, г. Санкт-Петербург, ул. Калинина, дом 2, корпус 4, литера А.