


## FLS DN M12 DI 16 M12

Order No.: 2736327

<http://eshop.phoenixcontact.de/phoenix/treeViewClick.do?UID=2736327>

The stand-alone device for DeviceNet™ has 16 digital inputs. The M12 connection is established using fast connection technology. The 24 V DC supply is protected against short circuit and overload. The nominal current of the device is 1.2 A.



Commercial data	
GTIN (EAN)	 4 017918 960087
sales group	L021
Pack	1 pcs.
Customs tariff	85176200
Catalog page information	Page 354 (AX-2009)

<http://www.download.phoenixcontact.com>  
Please note that the data given here has been taken from the online catalog. For comprehensive information and data, please refer to the user documentation. The General Terms and Conditions of Use apply to Internet downloads.

Technical data	
<b>General data</b>	
Width	60 mm
Height	161 mm
Depth	44.5 mm
Drill hole spacing	151 mm
Weight	310 g
Mounting type	Wall mounting
Ambient temperature (operation)	-25 °C ... 60 °C

Ambient temperature (storage/transport)	-25 °C ... 85 °C
Permissible humidity (storage/transport)	95 %
Air pressure (operation)	80 kPa ... 106 kPa (up to 2000 m above sea level)
Air pressure (storage/transport)	70 kPa ... 106 kPa (up to 3000 m above sea level)
Degree of protection	IP65/67
Protection class	III, IEC 61140, EN 61140, VDE 0140-1
Test section	To I/O 500 V AC 50 Hz 1 min
Mechanical tests	Shock test in acc. with IEC 60068-2-27 Load 30 g, half sine wave, positive and negative per direction

#### Interface

Fieldbus system	DeviceNet™
Name	DeviceNet™
Type of connection	2 M12 plug connectors, A-coded
Transmission speed	125 kBaud, 250 kBaud, 500 kBaud automatic detection 125 kBit/s, 250 kBit/s, 500 kBit/s (Automatic baud rate detection)
Transmission physics	Copper cable in acc. with DeviceNet™ specification
Address area assignment	0 ... 63, can be set
Number of positions	5

#### Power supply for module electronics

Type of connection	M12 plug connectors, (A-coded)
Name	$U_L$
Supply voltage	24 V DC
Supply voltage range	12 V DC ... 30 V DC IEC 61131-2 (including ripple)

#### Fieldline potential routing

Voltage supply $U_L$	24 V DC
Power supply at $U_L$	max. 4 A
Current consumption from $U_L$	Typ. 65 mA max. 100 mA
Voltage supply $U_S$	24 V DC
Power supply at $U_S$	max. 4 A
Current consumption from $U_S$	Typ. 8 mA (plus sensor current) max. 1.2 A

### Digital inputs

Input name	Digital inputs
Type of connection	M12 plug connectors, double occupancy
Connection method	2, 3, 4-wire
Number of inputs	16
Protective circuit	Protection against polarity reversal
Filter time	1 ms
Input characteristic curve	IEC 61131-2 type 1
Input voltage	24 V DC
Input voltage range "0" signal	-30 V DC ... 5 V DC
Input voltage range "1" signal	13 V DC ... 30 V DC

### Certificates / Approvals



Certification	CUL, UL
Certification Ex:	CUL-EX, UL-EX

### Accessories

Item	Designation	Description
<b>Cable/conductor</b>		
1509487	SAC-4P- 2,0-186/M12FS	Sensor/Actuator cable, 4-position, PUR, Black-gray RAL 7021, Free conductor end, on Socket, straight M12, A-coded, Cable length: 2 m
1509490	SAC-4P- 5,0-186/M12FS	Sensor/Actuator cable, 4-position, PUR, Black-gray RAL 7021, Free conductor end, on Socket, straight M12, A-coded, Cable length: 5 m
1509500	SAC-4P-10,0-186/M12FS	Sensor/Actuator cable, 4-position, PUR, Black-gray RAL 7021, Free conductor end, on Socket, straight M12, A-coded, Cable length: 10 m
1509513	SAC-4P-15,0-186/M12FS	Sensor/Actuator cable, 4-position, PUR, Black-gray RAL 7021, Free conductor end, on Socket, straight M12, A-coded, Cable length: 15 m

1509526	SAC-4P-M12MS/ 0,3-186/ M12FS	Sensor/Actuator cable, 4-position, PUR, Black-gray RAL 7021, Plug, straight M12, A-coded, on Socket, straight M12, A-coded, Cable length: 0.3 m
1509539	SAC-4P-M12MS/ 0,5-186/ M12FS	Sensor/Actuator cable, 4-position, PUR, Black-gray RAL 7021, Plug, straight M12, A-coded, on Socket, straight M12, A-coded, Cable length: 0.5 m
1509542	SAC-4P-M12MS/ 1,0-186/ M12FS	Sensor/Actuator cable, 4-position, PUR, Black-gray RAL 7021, Plug, straight M12, A-coded, on Socket, straight M12, A-coded, Cable length: 1 m
1509445	SAC-4P-M12MS/ 2,0-186	Sensor/Actuator cable, 4-position, PUR, Black-gray RAL 7021, Plug, straight M12, A-coded, on Free conductor end, Cable length: 2 m
1509555	SAC-4P-M12MS/ 2,0-186/ M12FS	Sensor/Actuator cable, 4-position, PUR, Black-gray RAL 7021, Plug, straight M12, A-coded, on Socket, straight M12, A-coded, Cable length: 2 m
1509458	SAC-4P-M12MS/ 5,0-186	Sensor/Actuator cable, 4-position, PUR, Black-gray RAL 7021, Plug, straight M12, A-coded, on Free conductor end, Cable length: 5 m
1509568	SAC-4P-M12MS/ 5,0-186/ M12FS	Sensor/Actuator cable, 4-position, PUR, Black-gray RAL 7021, Plug, straight M12, A-coded, on Socket, straight M12, A-coded, Cable length: 5 m
1509461	SAC-4P-M12MS/10,0-186	Sensor/Actuator cable, 4-position, PUR, Black-gray RAL 7021, Plug, straight M12, A-coded, on Free conductor end, Cable length: 10 m
1509571	SAC-4P-M12MS/10,0-186/ M12FS	Sensor/Actuator cable, 4-position, PUR, Black-gray RAL 7021, Plug, straight M12, A-coded, on Socket, straight M12, A-coded, Cable length: 10 m
1509474	SAC-4P-M12MS/15,0-186	Sensor/Actuator cable, 4-position, PUR, Black-gray RAL 7021, Plug, straight M12, A-coded, on Free conductor end, Cable length: 15 m
1509584	SAC-4P-M12MS/15,0-186/ M12FS	Sensor/Actuator cable, 4-position, PUR, Black-gray RAL 7021, Plug, straight M12, A-coded, on Socket, straight M12, A-coded, Cable length: 15 m
1507476	SAC-5P- 2,0-920/M12FS	Bus system cable, 5-position, PUR, halogen-free, Violet, RAL 4001, shielded, Free conductor end, on Socket, straight M12, A-coded, Cable length: 2 m
1507489	SAC-5P- 5,0-920/M12FS	Bus system cable, 5-position, PUR, halogen-free, Violet, RAL 4001, shielded, Free conductor end, on Socket, straight M12, A-coded, Cable length: 5 m
1507492	SAC-5P-10,0-920/M12FS	Bus system cable, 5-position, PUR, halogen-free, Violet, RAL 4001, shielded, Free conductor end, on Socket, straight M12, A-coded, Cable length: 10 m
1507502	SAC-5P-15,0-920/M12FS	Bus system cable, 5-position, PUR, halogen-free, Violet, RAL 4001, shielded, Free conductor end, on Socket, straight M12, A-coded, Cable length: 15 m
1507528	SAC-5P-M12MS/ 0,3-920/ M12FS	Bus system cable, 5-position, PUR, halogen-free, Violet, RAL 4001, shielded, Plug, straight M12, A-coded, on Socket, straight M12, A-coded, Cable length: 0.3 m

1507531	SAC-5P-M12MS/ 0,5-920/ M12FS	Bus system cable, 5-position, PUR, halogen-free, Violet, RAL 4001, shielded, Plug, straight M12, A-coded, on Socket, straight M12, A-coded, Cable length: 0.5 m
1507544	SAC-5P-M12MS/ 1,0-920/ M12FS	Bus system cable, 5-position, PUR, halogen-free, Violet, RAL 4001, shielded, Plug, straight M12, A-coded, on Socket, straight M12, A-coded, Cable length: 1 m
1507421	SAC-5P-M12MS/ 2,0-920	Bus system cable, 5-position, PUR, halogen-free, Violet, RAL 4001, shielded, Plug, straight M12, A-coded, on Free conductor end, Cable length: 2 m
1507557	SAC-5P-M12MS/ 2,0-920/ M12FS	Bus system cable, 5-position, PUR, halogen-free, Violet, RAL 4001, shielded, Plug, straight M12, A-coded, on Socket, straight M12, A-coded, Cable length: 2 m
1507434	SAC-5P-M12MS/ 5,0-920	Bus system cable, 5-position, PUR, halogen-free, Violet, RAL 4001, shielded, Plug, straight M12, A-coded, on Free conductor end, Cable length: 5 m
1507560	SAC-5P-M12MS/ 5,0-920/ M12FS	Bus system cable, 5-position, PUR, halogen-free, Violet, RAL 4001, shielded, Plug, straight M12, A-coded, on Socket, straight M12, A-coded, Cable length: 5 m
1507447	SAC-5P-M12MS/10,0-920	Bus system cable, 5-position, PUR, halogen-free, Violet, RAL 4001, shielded, Plug, straight M12, A-coded, on Free conductor end, Cable length: 10 m
1507573	SAC-5P-M12MS/10,0-920/ M12FS	Bus system cable, 5-position, PUR, halogen-free, Violet, RAL 4001, shielded, Plug, straight M12, A-coded, on Socket, straight M12, A-coded, Cable length: 10 m
1507450	SAC-5P-M12MS/15,0-920	Bus system cable, 5-position, PUR, halogen-free, Violet, RAL 4001, shielded, Plug, straight M12, A-coded, on Free conductor end, Cable length: 15 m
1507586	SAC-5P-M12MS/15,0-920/ M12FS	Bus system cable, 5-position, PUR, halogen-free, Violet, RAL 4001, shielded, Plug, straight M12, A-coded, on Socket, straight M12, A-coded, Cable length: 15 m

**Marking**

0809735	ZBF 12:UNBEDRUCKT	Zack strip, flat, unprinted, 5-section, divisible, for labeling by the customer
---------	-------------------	---

**Plug/Adapter**

1510722	SAC-4P-M12Y/2X0,3-PUR/ M12FS VP	Sensor/Actuator cable, 4-position, PUR, halogen-free, Black-gray RAL 7021, Plug, straight M12, A-coded, on Socket, straight M12, A-coded and Socket, straight M12, A-coded, Cable length: 0.3 m
1507816	SAC-5P-M12MS CAN TR	Terminating resistor CANopen/DeviceNet™ M12
1507793	SAC-M12T/2XM12 CAN	Bus system T-connector, 5-pos., DeviceNet™/CANopen, M12 socket to M12 socket and M12 plug
1508365	SACC-M12FS-5CON-PG 9 SH AU	Bus system plug connector, female straight, 5-pos., M12, shielded, gold-plated contacts, A-coded, screw connection, metal knurl, cable screw connection Pg9

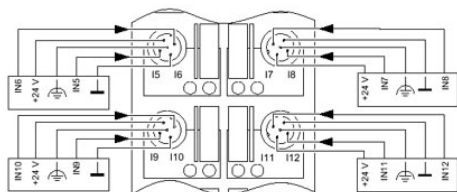
1508352	SACC-M12MS-5CON-PG 9 SH AU	Bus system plug connector, male, straight, 5-pos., M12, shielded, gold-plated contacts, A-coded, screw connection, metal knurl, cable screw connection Pg9
---------	----------------------------	--

**Protection and sealing elements**

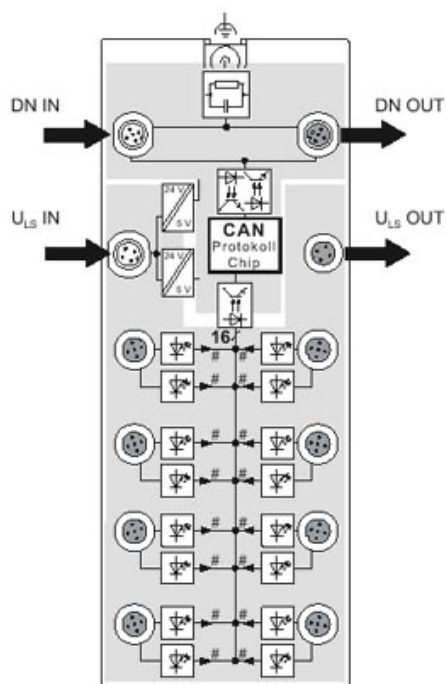
1680539	PROT-M12	An M12 screw plug for the unoccupied M12 sockets of the sensor/ actuator cable, boxes and flush-type connectors
---------	----------	---

**Diagrams/Drawings**

Connection diagram



Block diagram



**Address**

PHOENIX CONTACT Deutschland GmbH  
Flachmarktstr. 8  
32825 Blomberg, Germany  
Phone +49 5235 3 12000  
Fax +49 5235 3 41200  
<http://www.phoenixcontact.de>



© 2011 Phoenix Contact  
Technical modifications reserved;



Компания «ЭлектроПласт» предлагает заключение долгосрочных отношений при поставках импортных электронных компонентов на взаимовыгодных условиях!

Наши преимущества:

- Оперативные поставки широкого спектра электронных компонентов отечественного и импортного производства напрямую от производителей и с крупнейших мировых складов;
- Поставка более 17-ти миллионов наименований электронных компонентов;
- Поставка сложных, дефицитных, либо снятых с производства позиций;
- Оперативные сроки поставки под заказ (от 5 рабочих дней);
- Экспресс доставка в любую точку России;
- Техническая поддержка проекта, помощь в подборе аналогов, поставка прототипов;
- Система менеджмента качества сертифицирована по Международному стандарту ISO 9001;
- Лицензия ФСБ на осуществление работ с использованием сведений, составляющих государственную тайну;
- Поставка специализированных компонентов (Xilinx, Altera, Analog Devices, Intersil, Interpoint, Microsemi, Aeroflex, Peregrine, Syfer, Eurofarad, Texas Instrument, Miteq, Cobham, E2V, MA-COM, Hittite, Mini-Circuits, General Dynamics и др.);

Помимо этого, одним из направлений компании «ЭлектроПласт» является направление «Источники питания». Мы предлагаем Вам помощь Конструкторского отдела:

- Подбор оптимального решения, техническое обоснование при выборе компонента;
- Подбор аналогов;
- Консультации по применению компонента;
- Поставка образцов и прототипов;
- Техническая поддержка проекта;
- Защита от снятия компонента с производства.



#### Как с нами связаться

**Телефон:** 8 (812) 309 58 32 (многоканальный)

**Факс:** 8 (812) 320-02-42

**Электронная почта:** [org@eplast1.ru](mailto:org@eplast1.ru)

**Адрес:** 198099, г. Санкт-Петербург, ул. Калинина, дом 2, корпус 4, литера А.