



FCIconnect.com

Copyright FCI.

List of "SFW__R-1/2STZE1LF" customer document

DOCUMENT NO.	LIST
SC-SFW10	SPEC.
JSA97256	CAT.NO.TABLE FOR 1mm SPACING SMT CONNECTOR (SFW__R-1/2STZ__LF)
JSA97257	1mm SPACING SMT CONNECTOR (SFW__R-1STZ__LF)
JSA97258	1mm SPACING SMT CONNECTOR (SFW__R-2STZ__LF)
JSA97259	CAT.NO.TABLE FOR PLASTIC TAPE PACKAGED 1mm SPACING SMT CONNECTOR (SFW__R-1/2STZE1LF)
JSA97260	PLASTIC TAPE PACKAGED 1mm SPACING SMT CONNECTOR (SFW__R-1STZE1LF)
JSA97261	PLASTIC TAPE PACKAGED 1mm SPACING SMT CONNECTOR (SFW__R-2STZE1LF)
JSA91605	RECOMMENDED CABLE (FPC) (SFW__R-1/2ST__)
JSA91604	RECOMMENDED CABLE (FFC) (SFW__R-1/2ST__)

mat'l. code				surface ISO 1302 <input checked="" type="checkbox"/>		tolerance ISO 406 ISO 1101		projection 		product family 58RF		CODE JP	
ltr	ecn no	dr	date	tolerances unless otherwise specified				mm 		title 1mm SPACING FPC/FFC CONNECTOR DOCUMENT LIST (Cat. No. : SFW__R-1/2STZE1LF)			
A	J07-0086	H.T	2/5/07	angles		linear		scale \times		dwg no JSA 97255		sheet 1 of 1 size A4	
				dr		engr		chr		appd		type Product Customer Drawing	
				<i>H. Ishida</i> 2/5/07		<i>H. Ishida</i> 2/5/07		<i>R. Shoyki</i> 2/7/07		<i>S. Chelam</i> 2/7/07		Rev A	
sheet index		revision sheet		A		1							

CAT. NO. & DIMENSIONS

NO. OF CONTACTS (n)	CAT. NO.	DIMENSIONS (NOTE2)			
		A ± 0.2	B ± 0.2	C ± 0.2	D ± 0.1
4	SFW4R-1/2STZ__LF	9.8	8.6	3.0	5.3
5	SFW5R-1/2STZ__LF	10.8	9.6	4.0	6.3
6	SFW6R-1/2STZ__LF	11.8	10.6	5.0	7.3
7	SFW7R-1/2STZ__LF	12.8	11.6	6.0	8.3
8	SFW8R-1/2STZ__LF	13.8	12.6	7.0	9.3
9	SFW9R-1/2STZ__LF	14.8	13.6	8.0	10.3
10	SFW10R-1/2STZ__LF	15.8	14.6	9.0	11.3
11	SFW11R-1/2STZ__LF	16.8	15.6	10.0	12.3
12	SFW12R-1/2STZ__LF	17.8	16.6	11.0	13.3
13	SFW13R-1/2STZ__LF	18.8	17.6	12.0	14.3
14	SFW14R-1/2STZ__LF	19.8	18.6	13.0	15.3
15	SFW15R-1/2STZ__LF	20.8	19.6	14.0	16.3
16	SFW16R-1/2STZ__LF	21.8	20.6	15.0	17.3
17	SFW17R-1/2STZ__LF	22.8	21.6	16.0	18.3
18	SFW18R-1/2STZ__LF	23.8	22.6	17.0	19.3
19	SFW19R-1/2STZ__LF	24.8	23.6	18.0	20.3
20	SFW20R-1/2STZ__LF	25.8	24.6	19.0	21.3
21	SFW21R-1/2STZ__LF	26.8	25.6	20.0	22.3
22	SFW22R-1/2STZ__LF	27.8	26.6	21.0	23.3
23	SFW23R-1/2STZ__LF	28.8	27.6	22.0	24.3
24	SFW24R-1/2STZ__LF	29.8	28.6	23.0	25.3
25	SFW25R-1/2STZ__LF	30.8	29.6	24.0	26.3
26	SFW26R-1/2STZ__LF	31.8	30.6	25.0	27.3
27	SFW27R-1/2STZ__LF	32.8	31.6	26.0	28.3
28	SFW28R-1/2STZ__LF	33.8	32.6	27.0	29.3
29	SFW29R-1/2STZ__LF	34.8	33.6	28.0	30.3
30	SFW30R-1/2STZ__LF	35.8	34.6	29.0	31.3

CAT. NO. SFW (n) R - 1 ST Z __ LF

SERIES NAME

NO. OF CONTACTS

RIGHT ANGLE TYPE

FOR FPC/FFC, CONTACT DIRECTION

1. LOWER CONTACT TYPE
2. UPPER CONTACT TYPE

FOR AUTOMATIC MOUNTING (SMT)

VARIATION

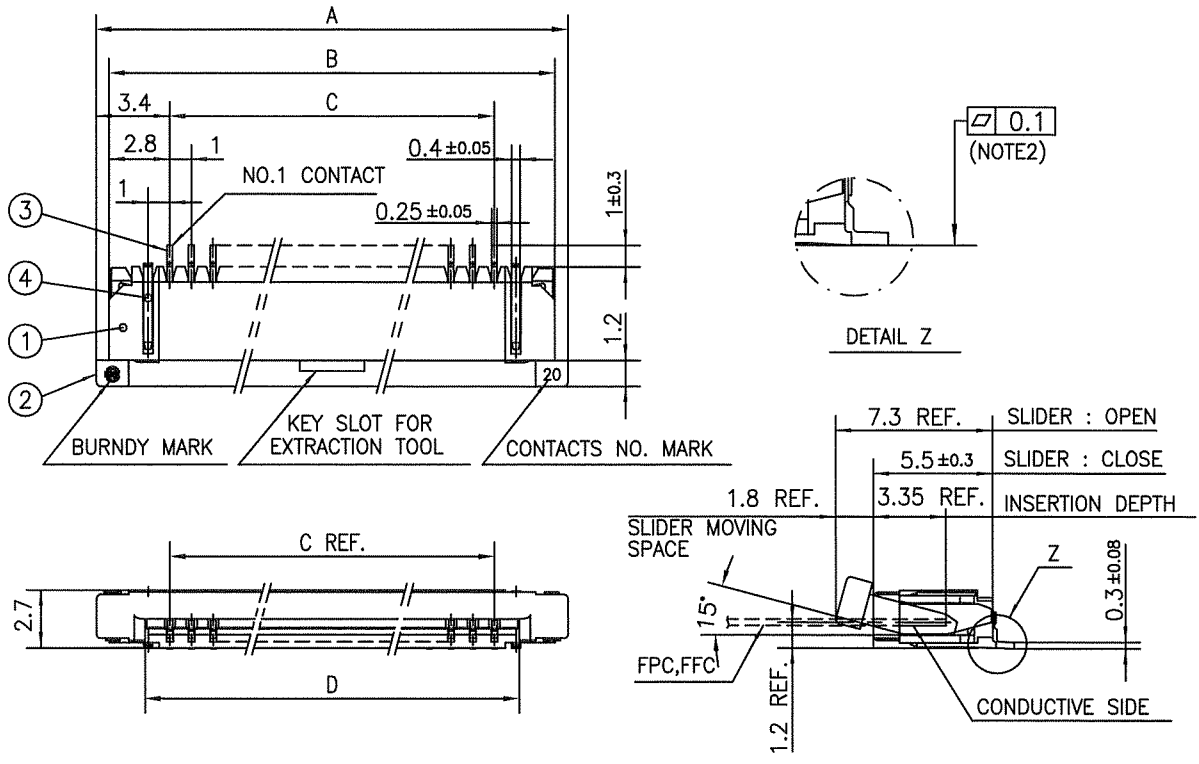
PACKAGE STYLE

LEAD FREE

NOTES

1. THIS PRODUCT IS THE CONNECTOR USED FOR FPC/FFC AND COPE WITH AUTOMATIC MOUNTING (SMT).
2. SEE PART DRAWINGS FOR DIMENSIONS A~D.

mat'l. code		surface ISO 1302 ✓		tolerance ISO 406 ISO 1101		projection		product family 58RF		CODE JP	
ltr	ecn no	dr	date	tolerances unless otherwise specified		mm		title			
A	J07-0086	H.T	2/5/07	angles	linear	mm		CAT. NO. TABLE FOR 1mm SPACING SMT CONNECTOR (Cat. No. SFW__R-1/2STZ__LF)			
sheet index		revision A		dr		scale X		dwg no		sheet 1 of 1 size	
sheet 1		1		engr		FCJ		JSA 97256		A4	
				chr				type Product Customer Drawing			
				appd				Rev A			



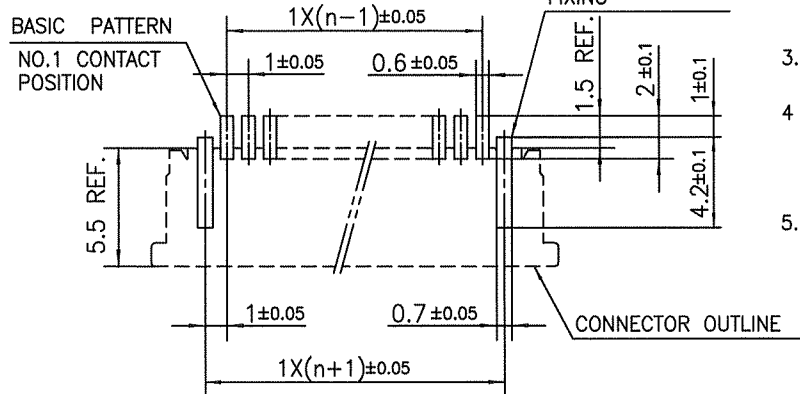
PT. NO.	PARTS NAME	MATERIAL	Q'TY	NOTE
1	HOUSING	PPS RESIN GLASS REINFORCED (UL94V-0)	1	COLOR : BROWN
2	SLIDER		1	COLOR : BLACK
3	CONTACT	PHOSPHOR BRONZE	n	PLATING : THIN TIN
4	MOUNTING PLATE		2	PLATING : TIN

n : NO. OF CONTACTS

NOTES

1. THIS PRODUCT IS THE CONNECTOR USED FOR FPC/FFC AND COPEs WITH AUTOMATIC MOUNTING (SMT).
2. FLATNESS FOR CONTACT TERMINAL HOUSING MUST BE WITHIN TOLERANCE IN Z PORTION DETAILED DRAWING.
3. THIS PRODUCT IS LOWER CONTACT TYPE CONNECTOR.
4. THIS PRODUCT MEETS EUROPEAN UNION DIRECTIVES AND OTHER COUNTRY REGULATIONS AS DESCRIBED IN GS-22-008
5. THE HOUSING WILL WITHSTAND EXPOSURE TO 260°C PEAK TEMPERATURE FOR 10 SECONDS IN A REFLOW SOLDERING OVEN.

RECOMMENDED PC BOARD LAYOUT (COMPONENT SIDE)



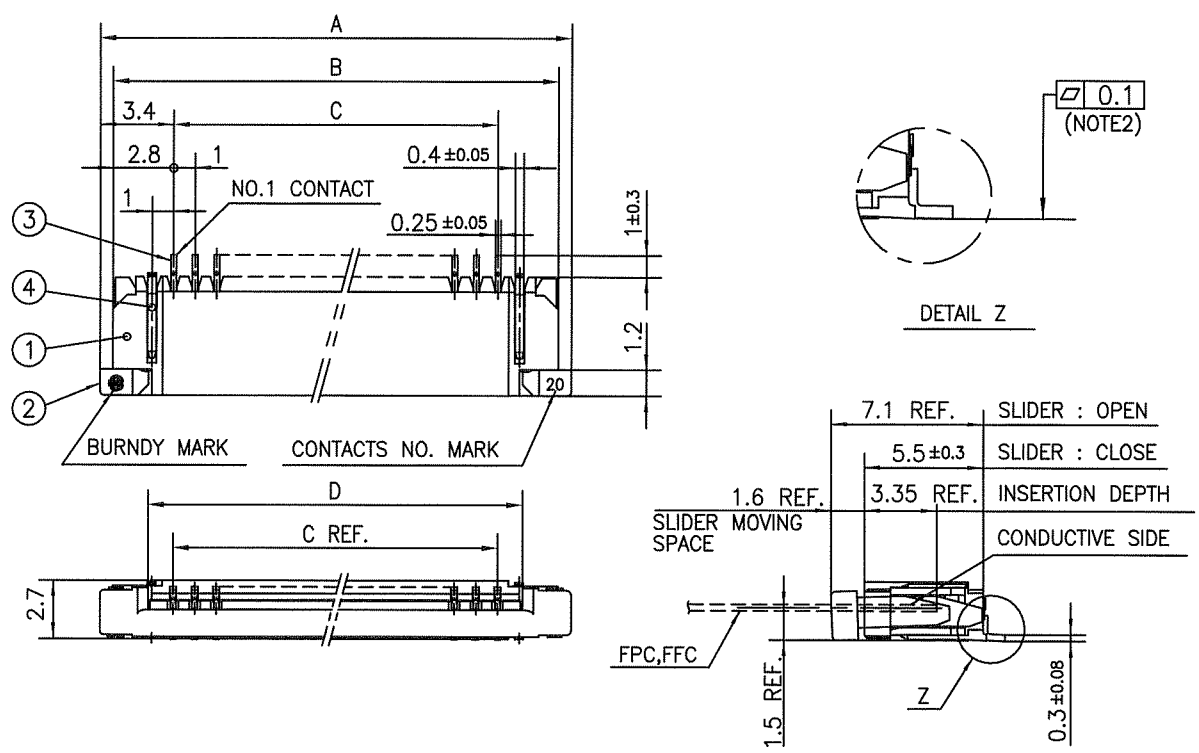
mat'l. code				surface ISO 1302		tolerance ISO 406 ISO 1101		projection mm		product family 58RF		CODE JP	
ltr	ecn no	dr	date	tolerances unless otherwise specified				mm		title 1mm SPACING SMT CONNECTOR (Cat. No. SFW__R-1STZ__LF)			
A	J07-0086	H.T	2/5/07	angles		linear		scale		dwg no		sheet 1 of 1 size	
				dr		engr		scale		JSA 97257		A4	
				chr		appd		FCI		type		Product Customer Drawing	
sheet index		revision sheet		A		1						Rev. A	

SC_SFW10 JSA97256 form: A4



FCIconnect.com

Copyright FCI.



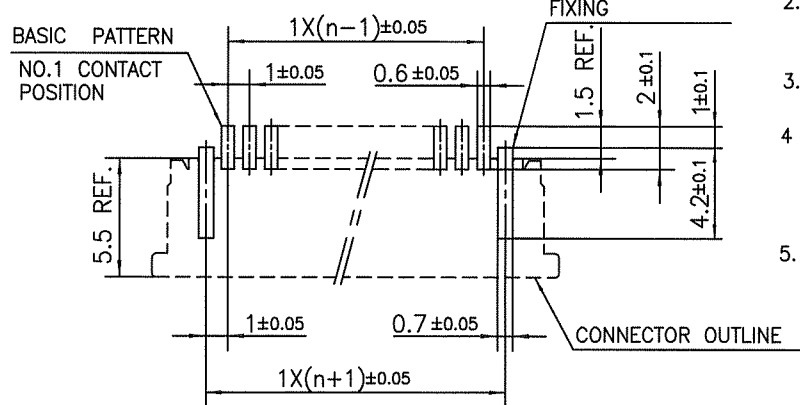
PT. NO.	PARTS NAME	MATERIAL	Q'TY	NOTE
1	HOUSING	PPS RESIN GLASS REINFORCED (UL94V-0)	1	COLOR : BROWN
2	SLIDER		1	COLOR : BLACK
3	CONTACT	PHOSPHOR BRONZE	n	PLATING : THIN TIN
4	MOUNTING PLATE		2	PLATING : TIN

n : NO. OF CONTACTS

NOTES

1. THIS PRODUCT IS THE CONNECTOR USED FOR FPC/FFC AND COPEs WITH AUTOMATIC MOUNTING (SMT).
2. FLATNESS FOR CONTACT TERMINAL HOUSING MUST BE WITHIN TOLERANCE IN Z PORTION DETAILED DRAWING.
3. THIS PRODUCT IS UPPER CONTACT TYPE CONNECTOR.
4. THIS PRODUCT MEETS EUROPEAN UNION DIRECTIVES AND OTHER?COUNTRY REGULATIONS AS DESCRIBED IN GS-22-008
5. THE HOUSING WILL WITHSTAND EXPOSURE TO 260°C PEAK TEMPERATURE FOR 10 SECONDS IN A REFLOW SOLDERING OVEN.

RECOMMENDED PC BOARD LAYOUT (COMPONENT SIDE)

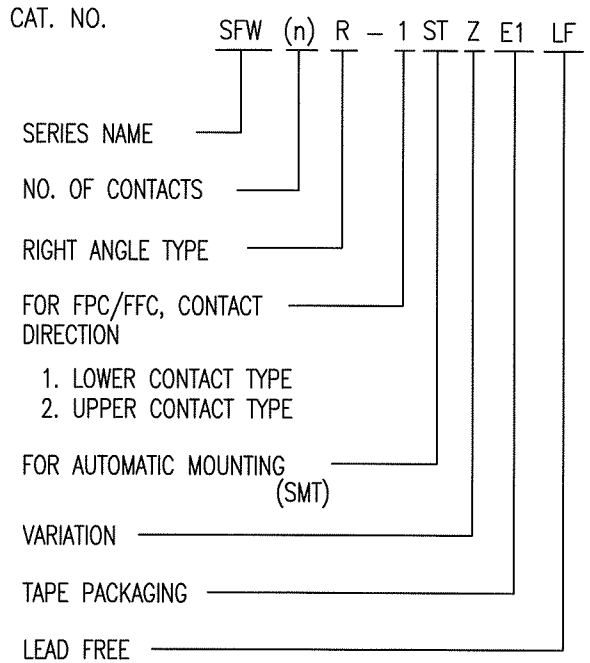


mat'l. code		surface		tolerance		projection		product family		CODE	
		ISO 1302		ISO 406		mm		58RF		JP	
ltr		ecn no		dr		date		title			
A		J07-0086		H.T		2/5/07		1mm SPACING SMT CONNECTOR (Cat. No. SFW__R-2STZ__LF)			
				angles		linear		scale		X	
				dr		2/5/07		dwg no		sheet 1 of 1 size	
				enr		2/5/07		JSA 97258		A4	
				chr		2/7/07		type		Product Customer Drawing	
				appd		2/7/07					
sheet index		revision sheet		A		1				Rev. A	

SC_SFW10 JSA97256 form: A4

CAT. NO. & DIMENSIONS

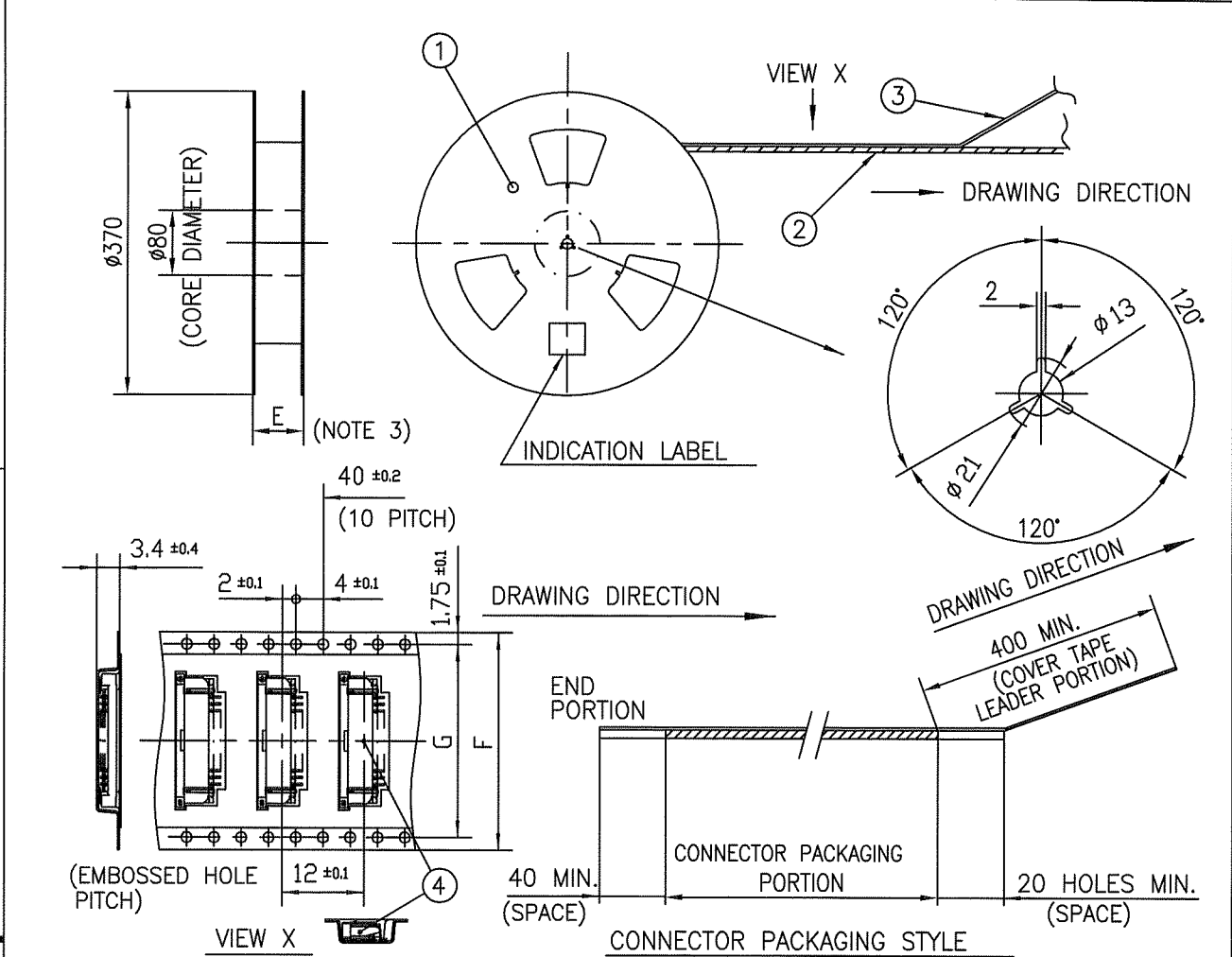
NO. OF CONTACTS (n)	CAT. NO. (NOTE2)	DIMENSIONS (NOTE3)		
		E ± 5	F ± 0.3	G ± 0.1
4	SFW4R-1/2STZE1LF	20.4	16	—
5	SFW5R-1/2STZE1LF	28.4	24	—
6	SFW6R-1/2STZE1LF	28.4	24	—
7	SFW7R-1/2STZE1LF	28.4	24	—
8	SFW8R-1/2STZE1LF	28.4	24	—
9	SFW9R-1/2STZE1LF	28.4	24	—
10	SFW10R-1/2STZE1LF	28.4	24	—
11	SFW11R-1/2STZE1LF	28.4	24	—
12	SFW12R-1/2STZE1LF	28.4	24	—
13	SFW13R-1/2STZE1LF	36.4	32	28.4
14	SFW14R-1/2STZE1LF	36.4	32	28.4
15	SFW15R-1/2STZE1LF	36.4	32	28.4
16	SFW16R-1/2STZE1LF	36.4	32	28.4
17	SFW17R-1/2STZE1LF	48.4	44	40.4
18	SFW18R-1/2STZE1LF	48.4	44	40.4
19	SFW19R-1/2STZE1LF	48.4	44	40.4
20	SFW20R-1/2STZE1LF	48.4	44	40.4
21	SFW21R-1/2STZE1LF	48.4	44	40.4
22	SFW22R-1/2STZE1LF	48.4	44	40.4
23	SFW23R-1/2STZE1LF	48.4	44	40.4
24	SFW24R-1/2STZE1LF	48.4	44	40.4
25	SFW25R-1/2STZE1LF	48.4	44	40.4
26	SFW26R-1/2STZE1LF	48.4	44	40.4
27	SFW27R-1/2STZE1LF	48.4	44	40.4
28	SFW28R-1/2STZE1LF	60.4	56	52.4
29	SFW29R-1/2STZE1LF	60.4	56	52.4
30	SFW30R-1/2STZE1LF	60.4	56	52.4



NOTES

1. THIS PRODUCT IS THE CONNECTOR USED FOR FPC/FFC AND COPEs WITH AUTOMATIC MOUNTING (SMT).
2. THIS CATALOG NO. INDICATES PLASTIC TAPE PACKAGED CONNECTOR.
3. SEE PART DRAWINGS FOR DIMENSIONS E~G.

mat'l. code				surface ISO 1302 ✓		tolerance ISO 406 ISO 1101		projection		product family 58RF		CODE JP	
ltr	ecn no	dr	date	tolerances unless otherwise specified				mm		title CAT. NO. TABLE FOR PLASTICTAPE PACKAGED 1mm SPACING SMT CONNECTOR (Cat. No. SFW__R-1/2STZE1LF)			
A	J07-0086	H.T	2/5/07	angles	linear	scale X							
				dr	2/5/07		FCI		dwg no		sheet 1 of 1 size		
				enrg	2/5/07				JSA 97259		A4		
				chr	2/7/07				type Product Customer Drawing				
				appd	2/7/07								
sheet index	revision	A										Rev. A	
	sheet	1											

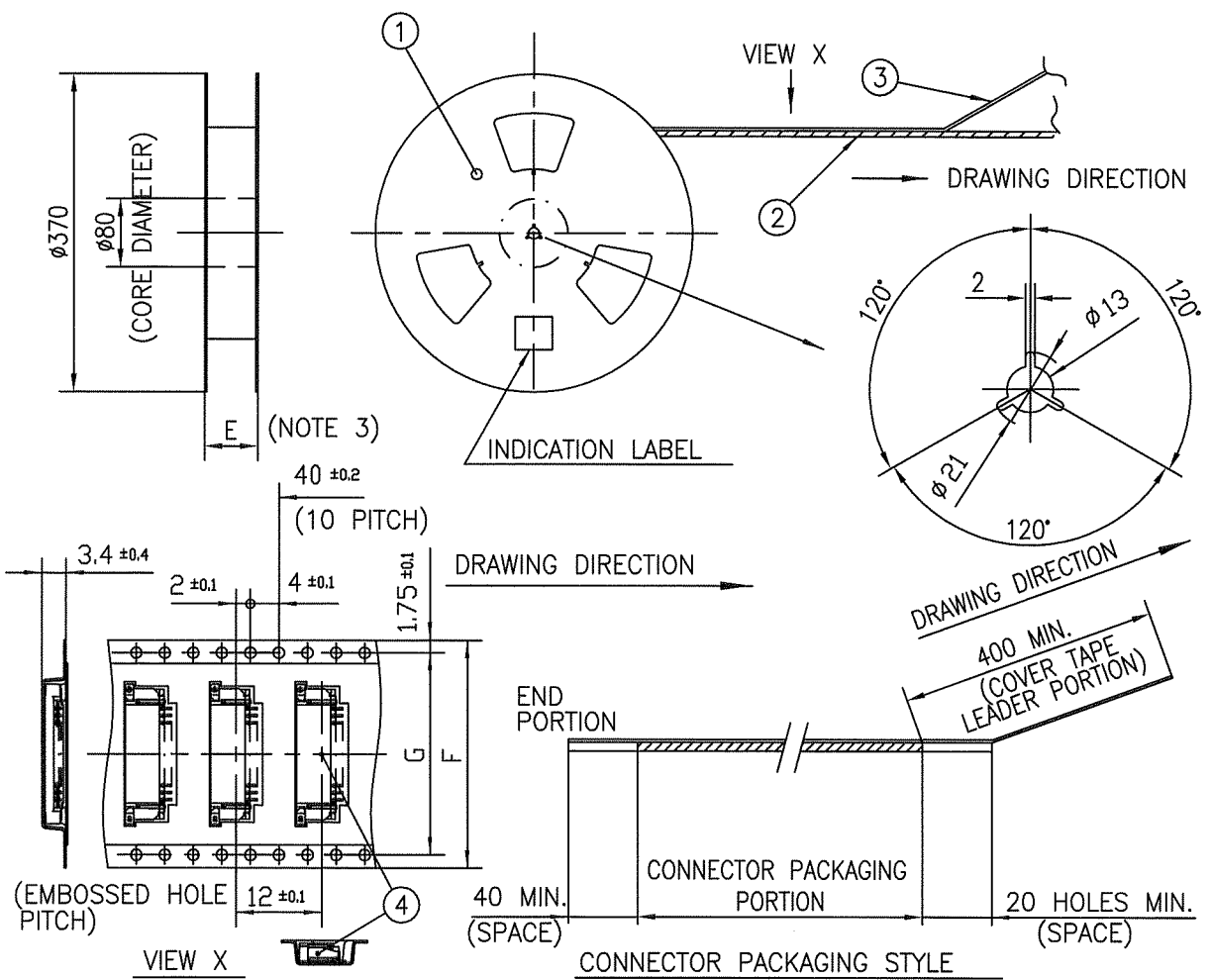


PT. NO.	PARTS NAME	CAT. NO.	MATERIAL	Q'TY	NOTE
1	REEL	_____	CARDBOARD	1	COLOR:WHITE
2	PLASTIC (EMBOSS) TAPE	_____	PET	---	COLOR:TRANSPARENCY
3	COVER	_____	POLYESTER	---	COLOR:TRANSPARENCY
4	CONNECTOR	SFW__R-1STZ__LF	SEE ATTACHED DWG.	2000	LOWER CONTACT TYPE

- NOTES
- THIS IS PLASTIC TAPE PACKAGED CONNECTOR USED FOR FPC/FFC AND COPES WITH AUTOMATIC MOUNTING (SMT).
 - SEE JIS C 0806 (PACKING OF ELECTRONIC COMPONENTS ON CONTINUOUS TAPES (SURFACE MOUNTING DEVICES)) FOR SHAPE AND DIMENSIONS OF PLASTIC (EMBOSS) TAPE AND REEL.
 - E DIMENSION IS PORTION OF THE CORE.

mat'l. code				surface <input checked="" type="checkbox"/> ISO 1302 <input checked="" type="checkbox"/> tolerance <input checked="" type="checkbox"/> ISO 406 <input checked="" type="checkbox"/> ISO 1101		projection	product family	58RF	CODE	JP		
ltr	ecn no	dr	date	tolerances unless otherwise specified		mm	title					
A	J07-0086	H.T	2/5/'07	angles	linear		PLASTIC TAPE PACKAGED 1mm SPACING SMT CONNECTOR (Cat. No. SFW__R-1STZE1LF)					
				dr	<i>H. Shouji</i>		dwg no		sheet 1 of 1	size		
				enr	<i>H. Shouji</i>		JSA 97260		A4			
				chr	<i>R. Shouji</i>		type Product Customer Drawing					
				appd	<i>S. Chidambaram</i>							
sheet index	revision	A	sheet	1							Rev	A

FCI
 FCIconnect.com
 Copyright FCI.



PT. NO.	PARTS NAME	CAT. NO.	MATERIAL	Q'TY	NOTE
1	REEL	—	CARDBOARD	1	COLOR:WHITE
2	PLASTIC (EMBOSS) TAPE	—	PET	—	COLOR:TRANSPARENCY
3	COVER	—	POLYESTER	—	COLOR:TRANSPARENCY
4	CONNECTOR	SFW__R-2STZ__LF	SEE ATTACHED DWG.	2000	UPPER CONTACT TYPE

NOTES

- THIS IS PLASTIC TAPE PACKAGED CONNECTOR USED FOR FPC/FFC AND COPES WITH AUTOMATIC MOUNTING (SMT).
- SEE JIS C 0806 (PACKING OF ELECTRONIC COMPONENTS ON CONTINUOUS TAPES (SURFACE MOUNTING DEVICES)) FOR SHAPE AND DIMENSIONS OF PLASTIC (EMBOSS) TAPE AND REEL.
- E DIMENSION IS PORTION OF THE CORE.

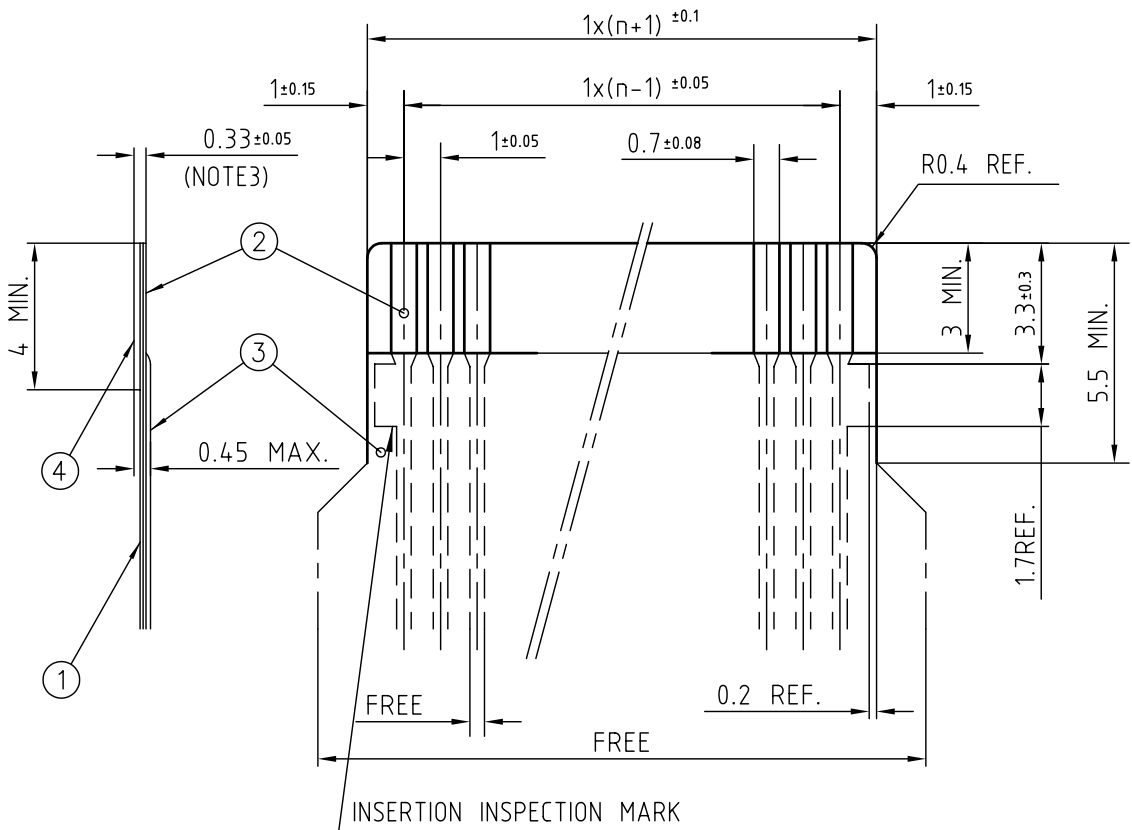
mat'l. code				surface ISO 1302 ✓		tolerance ISO 406 ISO 1101		projection		product family 58RF		CODE JP	
ltr	ecn no	dr	date	tolerances unless otherwise specified				mm		title			
A	J07-0086	H.T.	2/5/07	angles	linear	±5		mm		PLASTIC TAPE PACKAGED 1mm SPACING SMT CONNECTOR (Cat. No. SFW__R-2STZE1LF)			
				dr	engr	chr	appd	scale X		dwg no		sheet 1 of 1 size	
								FCI		JSA 97261		A4	
										type Product Customer Drawing			
sheet index		revision A										Rev. A	
1		1										2	

SC_SFW10 JSA97259 form: A4

FCI
 FCIconnect.com
 Copyright FCI.


RECOMMENDED CABLE (FPC)

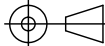
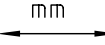
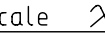

n : NO. OF CONDUCTOR



PT. NO.	PARTS NAME	MATERIAL	THICKNESS (um)
1	BASE FILM	POLYIMIDE OR POLYESTER OR EQUAL	25
2	CONDUCTOR	COPPER FOIL(PLATING:SOLDER 1um MIN.)	35
3	OVERLAY	POLYIMIDE OR POLYESTER OR EQUAL	—
4	SUPPORTING TAPE	POLYESTER OR POLYIMIDE OR EQUAL	188

NOTES

1. NO BURR AT EACH PORTION.
2. NO PEELING IN COMMON USE.
3. TOTAL THICKNESS LIMIT OF EACH MATERIAL (INCLUDING ADHESIVE AGENT) IS SPECIFIED.
4. A  SYMBOL WILL BE NEXT TO ANY DIMENSION, VIEW, OR NOTE WHICH HAS BEEN MODIFIED WITH THE CURRENT DRAWING REVISION.

mat'l. code				surface 58 / tolerance ISO 1302 ISO 406 ISO 1101		projection 		product family 58RF		CODE JP	
ltr ecn no dr date				tolerances unless otherwise specified		mm 		title RECOMMENDED CABLE (Cat. No. SFW__R-1/2__)			
AA J05-0055 H.T 05-02-04				angles linear		scale 		dwg no JSA 91605		sheet 1 of 1 size A4	
AB J06-0398 H.T 06-09-26				dr H. TAKAKURA 06-09-26				type Product Customer Drawing			
AC S08-0276 DGOH 08-08-22				enr H. TAKAKURA 06-09-26							
				chr DENNIS GOH 08-08-22							
				appd JOEY NG 08-08-22							
sheet index		revision sheet		AC 1						Rev. AC	

This document is the property of and embodies CONFIDENTIAL and PROPRIETARY information of FCI. No part of the information shown on this document may be used in any way or disclosed to others without the written consent of FCI. Copyright FCI.



RECOMMENDED CABLE (FFC)

n : NO. OF CONDUCTOR



PT. NO.	PARTS NAME	MATERIAL	NOTE
1	INSULATOR	FLAME RESISTING POLYESTER OR EQUAL	_____
2	CONDUCTOR	COPPER FOIL	PLATING:TIN OR SOLDER 1um MIN.
3	SUPPORTING TAPE	FLAME RESISTING POLYESTER OR EQUAL	_____

NOTES

1. NO BURR AT EACH PORTION.
2. NO PEELING IN COMMON USE.
3. A SYMBOL WILL BE NEXT TO ANY DIMENSION, VIEW, OR NOTE WHICH HAS BEEN MODIFIED WITH THE CURRENT DRAWING REVISION.

mat'l. code			surface 58 / tolerance ISO 1302 ISO 406 ISO 1101		projection		product family 58RF		CODE JP		
ltr ecn no dr date			tolerances unless otherwise specified		mm		title				
AA J05-0055 H.T 05-02-04			angles linear		mm		RECOMMENDED CABLE				
AB J06-0398 H.T 06-09-26							(Cat. No. SFW__R-1/2__)				
AC S08-0276 DGOH 08-08-22					scale \times		dwg no		sheet 1 of 1 size		
			dr H. TAKAKURA 06-09-26				JSA 91604		A4		
			enr H. TAKAKURA 06-09-26				type Product Customer Drawing				
			chr DENNIS GOH 08-08-22								
			appd JOEY NG 08-08-22								
sheet index		revision sheet		AC 1						Rev. AC	

This document is the property of and embodies CONFIDENTIAL and PROPRIETARY information of FCI. No part of the information shown on this document may be used in any way or disclosed to others without the written consent of FCI. Copyright FCI.



FCIconnect.com



Компания «ЭлектроПласт» предлагает заключение долгосрочных отношений при поставках импортных электронных компонентов на взаимовыгодных условиях!

Наши преимущества:

- Оперативные поставки широкого спектра электронных компонентов отечественного и импортного производства напрямую от производителей и с крупнейших мировых складов;
- Поставка более 17-ти миллионов наименований электронных компонентов;
- Поставка сложных, дефицитных, либо снятых с производства позиций;
- Оперативные сроки поставки под заказ (от 5 рабочих дней);
- Экспресс доставка в любую точку России;
- Техническая поддержка проекта, помощь в подборе аналогов, поставка прототипов;
- Система менеджмента качества сертифицирована по Международному стандарту ISO 9001;
- Лицензия ФСБ на осуществление работ с использованием сведений, составляющих государственную тайну;
- Поставка специализированных компонентов (Xilinx, Altera, Analog Devices, Intersil, Interpoint, Microsemi, Aeroflex, Peregrine, Syfer, Eurofarad, Texas Instrument, Miteq, Cobham, E2V, MA-COM, Hittite, Mini-Circuits, General Dynamics и др.);

Помимо этого, одним из направлений компании «ЭлектроПласт» является направление «Источники питания». Мы предлагаем Вам помощь Конструкторского отдела:

- Подбор оптимального решения, техническое обоснование при выборе компонента;
- Подбор аналогов;
- Консультации по применению компонента;
- Поставка образцов и прототипов;
- Техническая поддержка проекта;
- Защита от снятия компонента с производства.



Как с нами связаться

Телефон: 8 (812) 309 58 32 (многоканальный)

Факс: 8 (812) 320-02-42

Электронная почта: org@eplast1.ru

Адрес: 198099, г. Санкт-Петербург, ул. Калинина, дом 2, корпус 4, литера А.