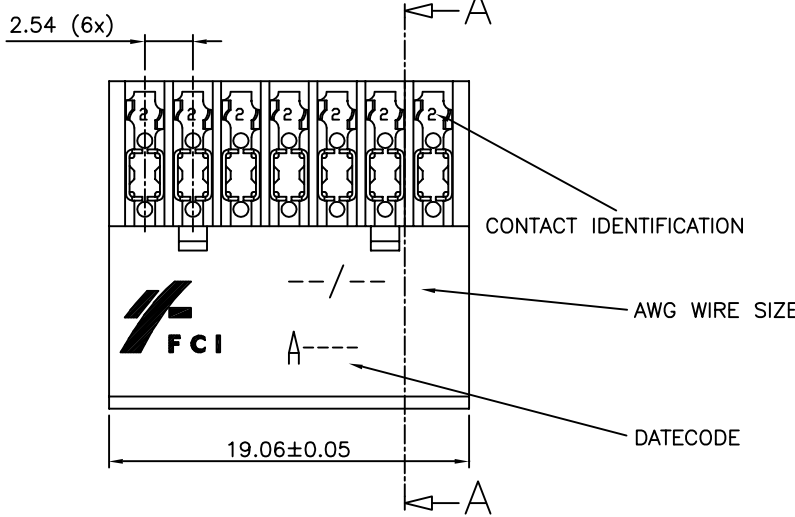
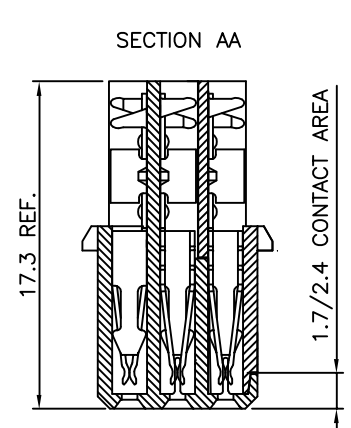




Copyright FCI

FCIconnect.com



PRODUCT NUMBER BPS8B21FLD-C0--LF

WITH "LF" SUFFIX LEAD FREE OR RoHS COMPATIBLE PRODUCT

WIRE ACCOMODATION			CONTACT PLATING	
PRODUCT NUMBER	WIRE SIZE	CONTACT IDENTIFICATION	PLATING CODE	PERFORMANCE LEVEL PER DIN41612
BPS8B21FLD0C0--LF	AWG28/30	0	Z0	CLASS 3
BPS8B21FLD2C0--LF	AWG24/26	2	Z1	CLASS 2
			E9	CLASS 1

NOTES:-

1. THE "LF" PRODUCTS MEET EUROPEAN UNION DIRECTIVES AND OTHER COUNTRY REGULATIONS AS DESCRIBED IN GS-22-008
2. LEAD FREE OR RoHS DIRECTIVE LABELING TO BE PROVIDED AS PER GS-14-920 FOR RoHS COMPATIBLE VERSION.

PERFORMANCES CHARACTERISTICS

VOLTAGE RATING : 250 VAC (rms)

CURRENT RATING : 1,5 A AT 25 °C, 1 A AT 70 °C.

INSULATION RESISTANCE : 1000MΩINITIAL, 100MΩMIN. AFTER TEST

DIELECTRIC WITH-

STANDING VOLTAGE : 1000 VAC (rms).

CONTACT RESISTANCE : 15mΩMAX. INITIAL, 5mΩMAX. RISE OF INITIAL VALUE AFTER TEST.

OPERATING TEMPERATURE\*: -40 °C TO +125 °C.

INSERTION FORCE : 1 N MAX./CONTACT.

WITHDRAWAL FORCE : 0,2 N MIN./CONTACT.

\*DEPENDING ON THE CABLE, THE MAX. TEMPERATURE CAN BE LOWER. FOR STANDARD PVC INSULATED CABLE : 105 °C MAX.

CONSTRUCTION

BODY MATERIAL : GLASS-REINFORCED THERMOPLASTIC (UL94V-0).

COVER MATERIAL : POLYESTER (PBTP), COLOUR : BLACK.

CONTACT MATERIAL : PHOSPHOR BRONZE.

CONTACT FINISH : Au OVER Ni IN CONTACT AREA  
Sn (MATT TIN) ON I.D.C. TERMINAL

Z0 : PERFORMANCE LEVEL PER DIN41612 CLASS 3  
Z1 : PERFORMANCE LEVEL PER DIN41612 CLASS 2  
E9 : PERFORMANCE LEVEL PER DIN41612 CLASS 1  
OTHERS : CONSULT FCI

TIE-WRAP : OPTIONAL PART N°. TF3.

PART NUMBERS

BPS8B21FLD0C0--LF CONNECTOR FOR WIRE SIZE AWG28, AWG30.  
(CONTACT IDENTIFICATION : 0).

BPS8B21FLD2C0--LF CONNECTOR FOR WIRE SIZE AWG24, AWG26  
(CONTACT IDENTIFICATION : 2).

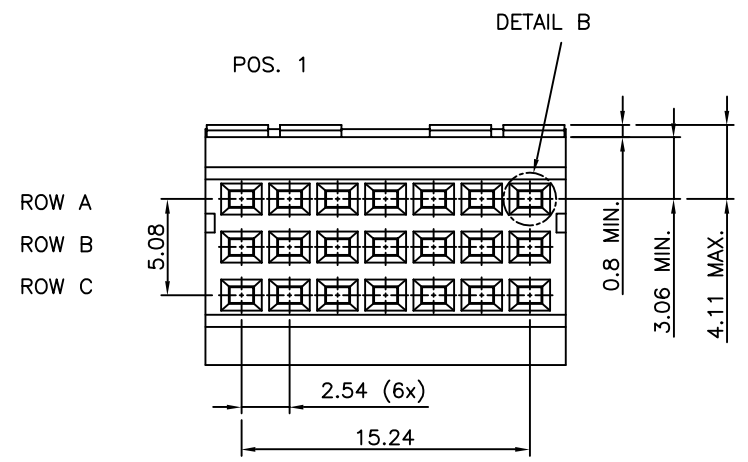
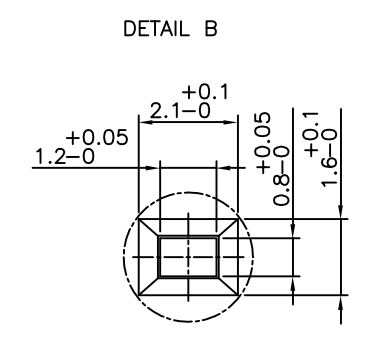
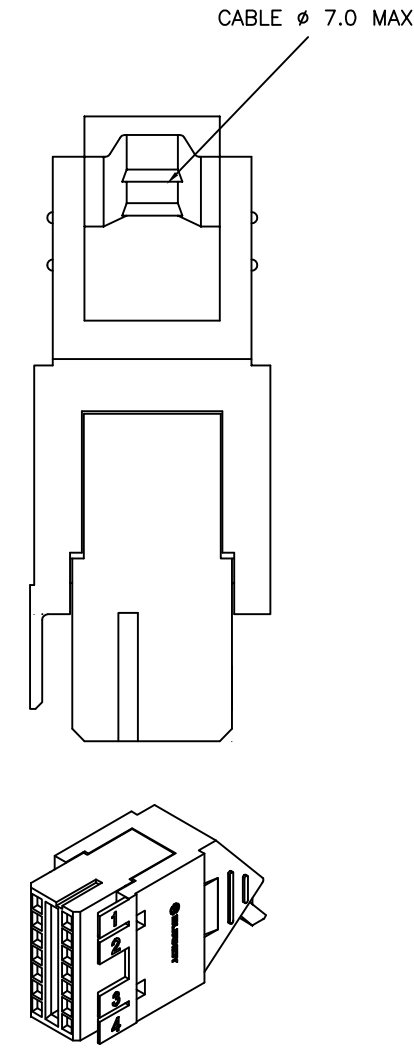
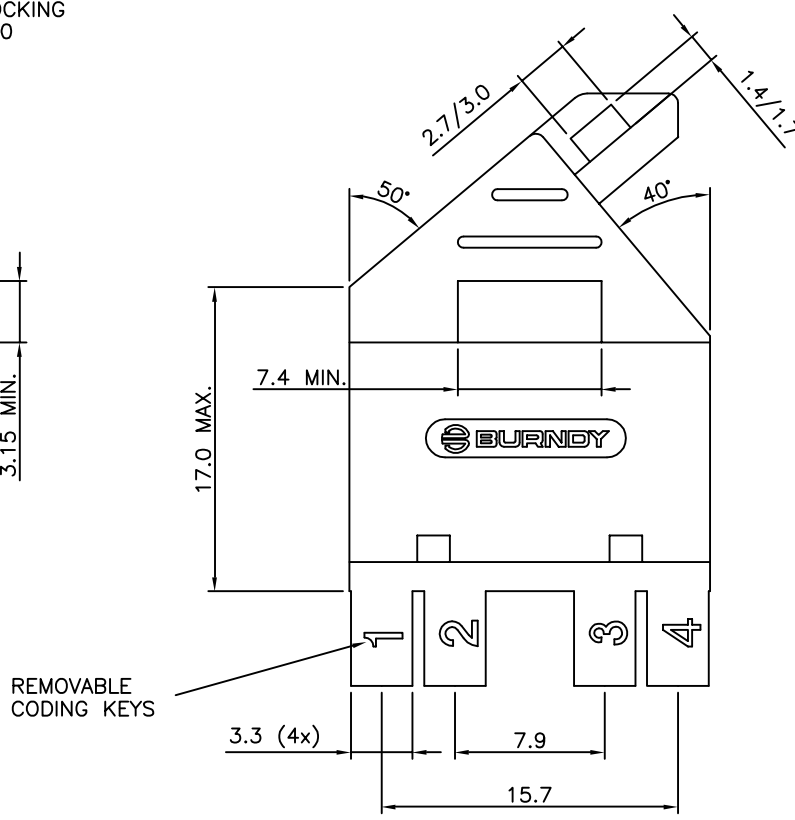
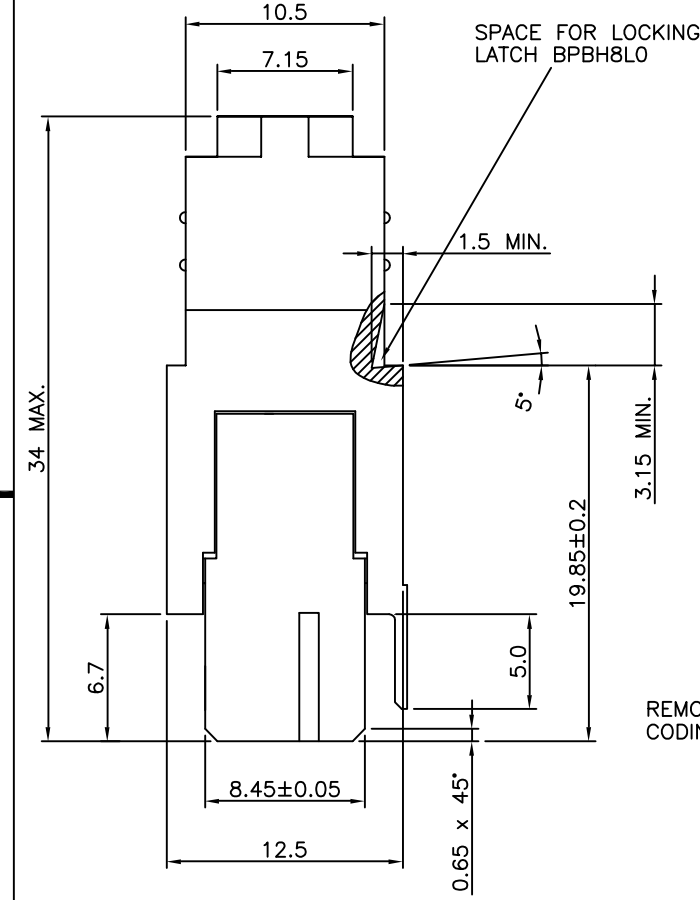
AWG WIRE SIZE MARKING

BPS8B21FLD0C0--LF : 28/30.

BPS8B21FLD2C0--LF : 24/26.

DATECODE MARKING

A + YEAR & WEEKCODE, EXAMPLE : A9950.



mat'l. code		surface		tolerance		projection		product family	
SEE NOTE		ISO 1302 ✓		ISO 406 ISO 1101		mm		BPS8	
ltr		ecn no		dr		date		title	
A		F00819		DLE		2000-10-23		ASSY BPS8	
B		105-0123		MINI		2005-07-27		21 POS. A,B,C LOADED	
C		106-0067		MINI		2006-06-01			
D		107-0081		KR		2007-06-28			
sheet index		revision		D		D		dwg no	
sheet		1 2 3		1 2 3				sheet 1 of 3	
								55355	
								A3	
								type Product Customer Drawing	

PRODUCT NUMBER BPS8B21FLD-00--LF

WITH "LF" SUFFIX LEAD FREE OR RoHS COMPATIBLE PRODUCT

**NOTES:-**  
 1. THE "LF" PRODUCTS MEET EUROPEAN UNION DIRECTIVES AND OTHER COUNTRY REGULATIONS AS DESCRIBED IN GS-22-008  
 2. LEAD FREE OR RoHS DIRECTIVE LABELING TO BE PROVIDED AS PER GS-14-920 FOR RoHS COMPATIBLE VERSION.

**WIRE ACCOMODATION**

PRODUCT NUMBER	WIRE SIZE	CONTACT IDENTIFICATION
BPS8B21FLD000--LF	AWG28/30	0
BPS8B21FLD200--LF	AWG24/26	2

**CONTACT PLATING**

PLATING CODE	PERFORMANCE LEVEL PER DIN41612
Z0	CLASS 3
Z1	CLASS 2
E9	CLASS 1

**PERFORMANCES CHARACTERISTICS**

VOLTAGE RATING : 250 VAC (rms)  
 CURRENT RATING : 1,5 A AT 25 °C, 1 A AT 70 °C.  
 INSULATION RESISTANCE : 1000MΩINITIAL, 100MΩMIN. AFTER TEST  
 DIELECTRIC WITH-  
 STANDING VOLTAGE : 1000 VAC (rms).  
 CONTACT RESISTANCE : 15 mΩMAX. INITIAL, 5mΩMAX. RISE OF INITIAL VALUE AFTER TEST.  
 OPERATING TEMPERATURE\*: -40 °C TO +125 °C.  
 INSERTION FORCE : 1 N MAX./CONTACT.  
 WITHDRAWAL FORCE : 0,2 N MIN./CONTACT.  
 \*DEPENDING ON THE CABLE, THE MAX. TEMPERATURE CAN BE LOWER. FOR STANDARD PVC INSULATED CABLE : 105 °C MAX.

**CONSTRUCTION**

BODY MATERIAL : GLASS-REINFORCED THERMOPLASTIC (UL94V-0).  
 CONTACT MATERIAL : PHOSPHOR BRONZE.  
 CONTACT FINISH : Au OVER Ni IN CONTACT AREA  
 Sn (MATT TIN) ON I.D.C. TERMINAL

Z0 : PERFORMANCE LEVEL PER DIN41612 CLASS 3  
 Z1 : PERFORMANCE LEVEL PER DIN41612 CLASS 2  
 E9 : PERFORMANCE LEVEL PER DIN41612 CLASS 1  
 OTHERS : CONSULT FCI

**PART NUMBERS**

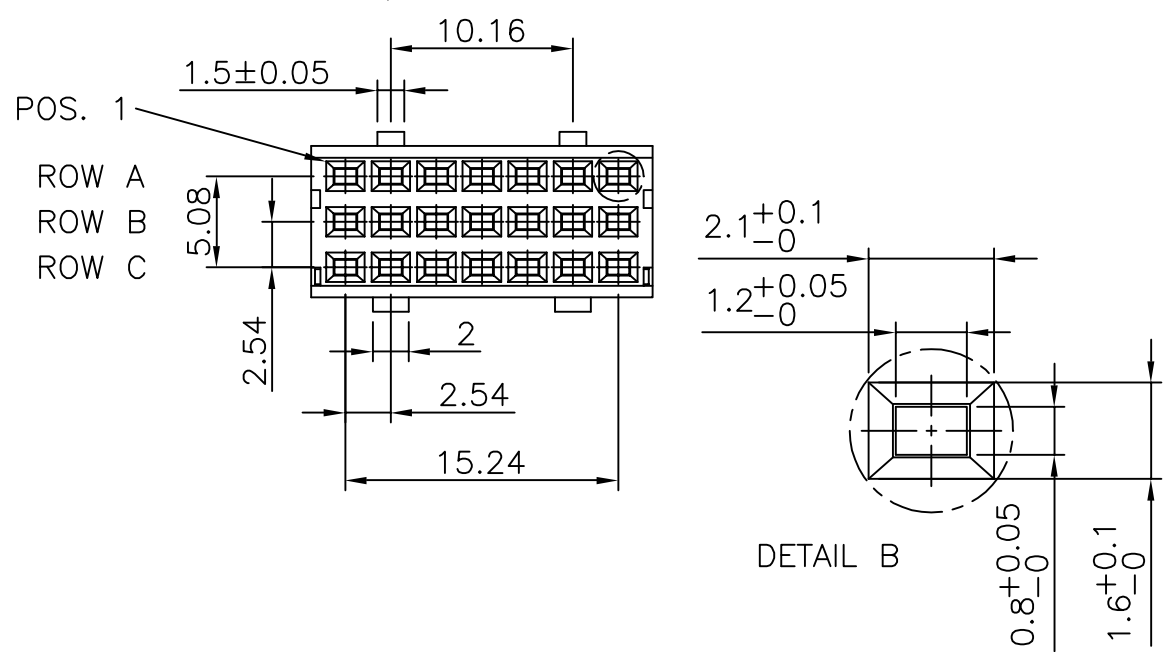
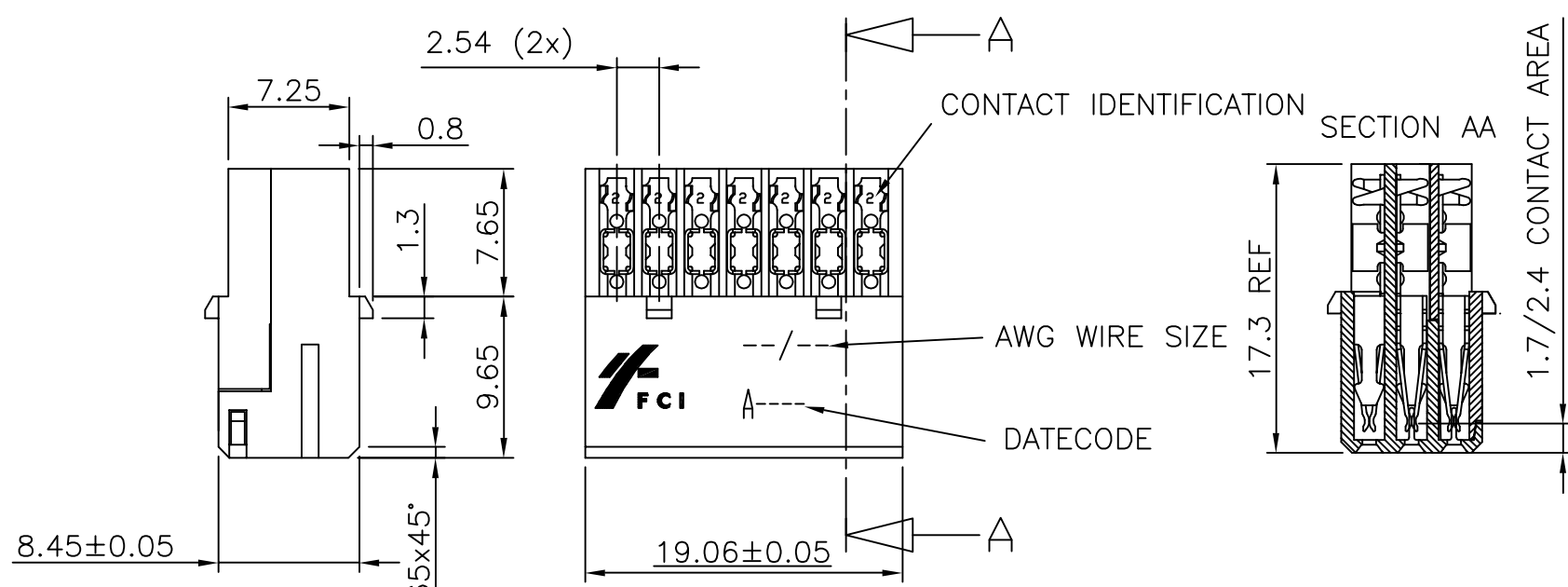
BPS8B21FLD000--LF CONNECTOR FOR WIRE SIZE AWG28, AWG30.  
 (CONTACT IDENTIFICATION : 0).  
 BPS8B21FLD200--LF CONNECTOR FOR WIRE SIZE AWG24, AWG26  
 (CONTACT IDENTIFICATION : 2).

**AWG WIRE SIZE MARKING**

BPS8B21FLD000--LF : 28/30  
 BPS8B21FLD200--LF : 24/26

**DATECODE MARKING**

A + YEAR & WEEKCODE, EXAMPLE : A9950.

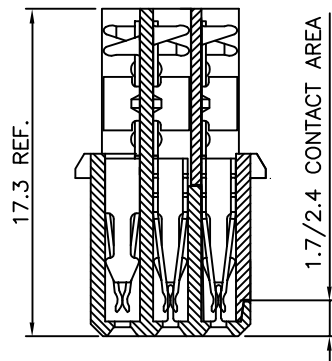


mat'l. code		surface		tolerance		projection		product family	
SEE NOTE		ISO 1302 ✓		ISO 406 ISO 1101		mm		BPS8	
ltr		ecn no		dr		date		title	
A		F00819		DLE		2000-10-19		ASSY BPS8	
B		105-0123		MINI		2005-07-27		21 POS. A,B,C LOADED	
C		106-0067		MINI		2006-06-01			
D		107-0081		KR		2007-06-28			
sheet index		revision sheet		dr		D.LEGRAND		2000-10-19	
				enr		J.F.NOTTEAU		2000-10-19	
				chr		RAKHEE GEORGE		2007-06-28	
				appd		RAKHEE GEORGE		2007-06-28	
								dwg no	
								sheet 2 of 3	
								size	
								A3	
								type	
								Product Customer Drawing	

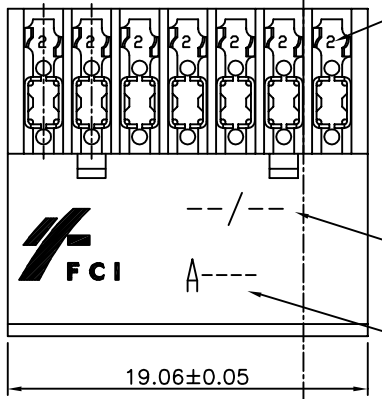


Copyright FCI

SECTION AA



2.54 (6x)



CONTACT IDENTIFICATION

AWG WIRE SIZE

DATECODE

NOTES:-  
 1. THE "LF" PRODUCTS MEET EUROPEAN UNION DIRECTIVES AND OTHER COUNTRY REGULATIONS AS DESCRIBED IN GS-22-008  
 2. LEAD FREE OR RoHS DIRECTIVE LABELING TO BE PROVIDED AS PER GS-14-920 FOR RoHS COMPATIBLE VERSION.

PRODUCT NUMBER BPS8B21FLD-MO--LF

WITH "LF" SUFFIX LEAD FREE OR RoHS COMPATIBLE PRODUCT

WIRE ACCOMODATION		
PRODUCT NUMBER	WIRE SIZE	CONTACT IDENTIFICATION
BPS8B21FLD0M0--LF	AWG28/30	0
BPS8B21FLD2M0--LF	AWG24/26	2

CONTACT PLATING	
PLATING CODE	PERFORMANCE LEVEL PER DIN41612
Z0	CLASS 3
Z1	CLASS 2
E9	CLASS 1

PERFORMANCES CHARACTERISTICS  
 VOLTAGE RATING : 250 VAC (rms)  
 CURRENT RATING : 1,5 A AT 25 °C, 1 A AT 70 °C.  
 INSULATION RESISTANCE : 1000MΩINITIAL, 100MΩMIN. AFTER TEST  
 DIELECTRIC WITHSTANDING VOLTAGE : 1000 VAC (rms).  
 CONTACT RESISTANCE : 15mΩMAX. INITIAL, 5mΩMAX. RISE OF INITIAL VALUE AFTER TEST.  
 OPERATING TEMPERATURE\*: -40 °C TO +125 °C.  
 INSERTION FORCE : 1 N MAX./CONTACT.  
 WITHDRAWAL FORCE : 0,2 N MIN./CONTACT.

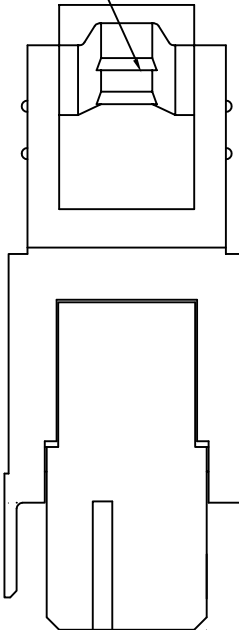
\*DEPENDING ON THE CABLE, THE MAX. TEMPERATURE CAN BE LOWER.  
 FOR STANDARD PVC INSULATED CABLE : 105 °C MAX.

CONSTRUCTION  
 BODY MATERIAL : GLASS-REINFORCED THERMOPLASTIC (UL94V-0).  
 COVER MATERIAL : Ni PLATED ABS MATERIAL  
 CONTACT MATERIAL : PHOSPHOR BRONZE.  
 CONTACT FINISH : Au OVER Ni IN CONTACT AREA  
 Sn (MATT TIN) ON I.D.C. TERMINAL  
 Z0 : PERFORMANCE LEVEL PER DIN41612 CLASS 3  
 Z1 : PERFORMANCE LEVEL PER DIN41612 CLASS 2  
 E9 : PERFORMANCE LEVEL PER DIN41612 CLASS 1  
 OTHERS : CONSULT FCI

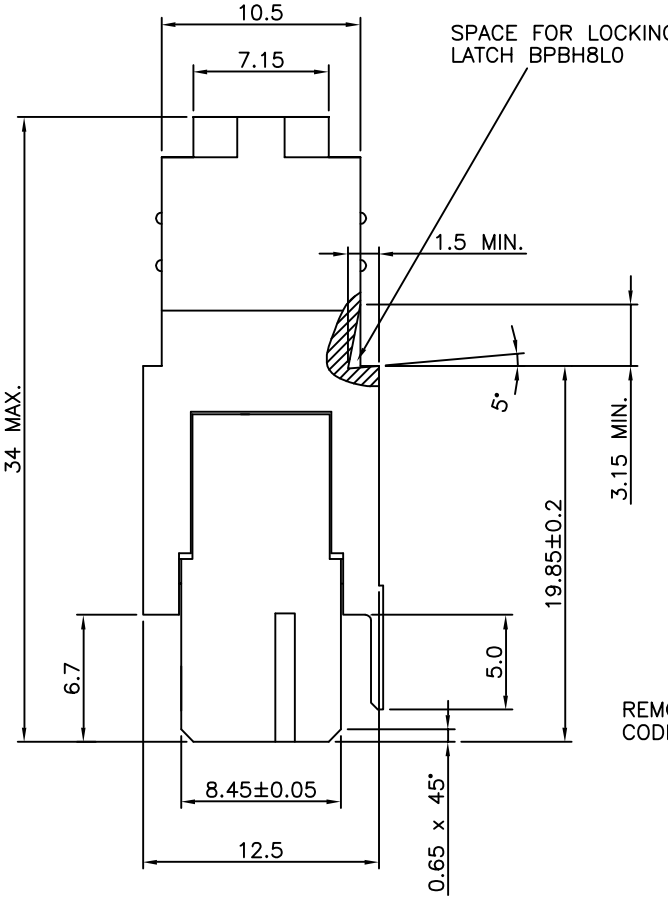
TIE-WRAP : OPTIONAL (PART N°. TF3)  
 PART NUMBERS  
 BPS8B21FLD0M0--LF CONNECTOR FOR WIRE SIZE AWG28, AWG30.  
 (CONTACT IDENTIFICATION : 0).  
 BPS8B21FLD2M0--LF CONNECTOR FOR WIRE SIZE AWG24, AWG26  
 (CONTACT IDENTIFICATION : 2).

AWG WIRE SIZE MARKING  
 BPS8B21FLD0M0--LF : 28/30.  
 BPS8B21FLD2M0--LF : 24/26.  
 DATECODE MARKING  
 A + YEAR & WEEKCODE, EXAMPLE : A9950.

CABLE Ø 7.0 MAX.

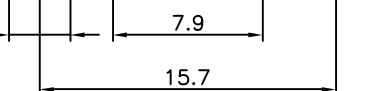


SPACE FOR LOCKING LATCH BPPBH8L0



REMOVABLE CODING KEYS

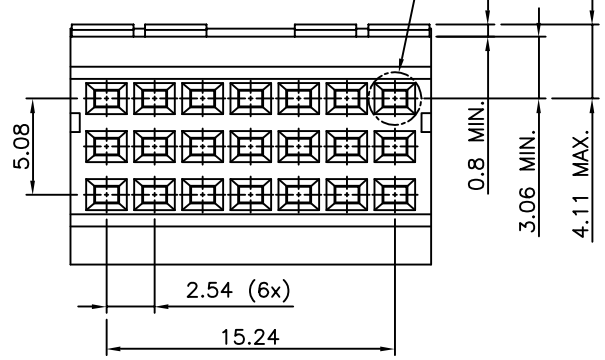
3.3 (4x)



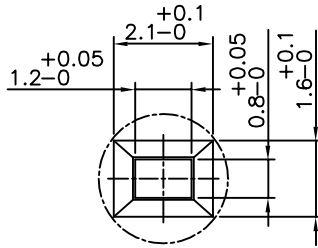
DETAIL B

POS. 1

ROW A  
ROW B  
ROW C



DETAIL B



mat'l. code		surface		tolerance		projection		product family	
SEE NOTE		ISO 1302 ✓		ISO 406 ISO 1101		mm		BPS8	
tolerances unless otherwise specified		angles		linear		mm		title	
A F00819 DLE 2000-10-23		0.1±0.2		0.01±0.1		mm		ASSY BPS8	
B I05-0123 MINI 2005-07-27		±1°		±1°		mm		21 POS. A,B,C LOADED	
C I06-0067 MINI 2006-06-01		±1°		±1°		mm		dwg no	
D I07-0081 KR 2007-06-28		D.LEGRAND		2000-10-23		mm		sheet 3 of 3	
		enr		J.F.NOTTEAU		mm		size	
		chr		RAKHEE GEORGE		mm		55355	
		appd		RAKHEE GEORGE		mm		A3	
sheet index		revision sheet						type Product Customer Drawing	



Copyright FCI



Компания «ЭлектроПласт» предлагает заключение долгосрочных отношений при поставках импортных электронных компонентов на взаимовыгодных условиях!

Наши преимущества:

- Оперативные поставки широкого спектра электронных компонентов отечественного и импортного производства напрямую от производителей и с крупнейших мировых складов;
- Поставка более 17-ти миллионов наименований электронных компонентов;
- Поставка сложных, дефицитных, либо снятых с производства позиций;
- Оперативные сроки поставки под заказ (от 5 рабочих дней);
- Экспресс доставка в любую точку России;
- Техническая поддержка проекта, помощь в подборе аналогов, поставка прототипов;
- Система менеджмента качества сертифицирована по Международному стандарту ISO 9001;
- Лицензия ФСБ на осуществление работ с использованием сведений, составляющих государственную тайну;
- Поставка специализированных компонентов (Xilinx, Altera, Analog Devices, Intersil, Interpoint, Microsemi, Aeroflex, Peregrine, Syfer, Eurofarad, Texas Instrument, Miteq, Cobham, E2V, MA-COM, Hittite, Mini-Circuits, General Dynamics и др.);

Помимо этого, одним из направлений компании «ЭлектроПласт» является направление «Источники питания». Мы предлагаем Вам помощь Конструкторского отдела:

- Подбор оптимального решения, техническое обоснование при выборе компонента;
- Подбор аналогов;
- Консультации по применению компонента;
- Поставка образцов и прототипов;
- Техническая поддержка проекта;
- Защита от снятия компонента с производства.



#### Как с нами связаться

**Телефон:** 8 (812) 309 58 32 (многоканальный)

**Факс:** 8 (812) 320-02-42

**Электронная почта:** [org@eplast1.ru](mailto:org@eplast1.ru)

**Адрес:** 198099, г. Санкт-Петербург, ул. Калинина, дом 2, корпус 4, литера А.