

THIS DRAWING IS UNPUBLISHED. RELEASED FOR PUBLICATION  
 © COPYRIGHT - By - ALL RIGHTS RESERVED.

REVISIONS				
P	LTR	DESCRIPTION	DATE	APVD
	T5	PART STATUS UPDATED	22JAN2018	RK PS

PHYSICAL PROPERTIES:  
 HOUSING MATERIAL: PBT  
 FLAMMABILITY: UL94V-0  
 COLOR: BLACK  
 MAX BOW/WARP: .0056 IN/IN.

MECHANICAL:  
 PITCH (TERMINAL SPACING): .563"  
 WIRE RANGE: 10-22 AWG  
 RECOMMENDED TIGHTENING TORQUE: 14IN-LBS MAX.

TERMINAL:  
 TERMINALS: BRASS, TIN PLATED. (UNLESS OTHERWISE STATED)  
 SCREWS: 8-32 STEEL, NICKEL PLATED. (UNLESS OTHERWISE STATED)  
 Q.C. TABS: BRASS, NICKEL PLATED.

ELECTRICAL PROPERTIES:  
 MAXIMUM CURRENT: 30A  
 OPERATING VOLTAGE: 300V

ENVIRONMENTAL PROPERTIES:  
 OPERATING TEMP RANGE: -40°C TO 120°C

- △ STAINLESS STEEL SCREWS.
- △ WHITE INK STAMP.
- △ NICKEL PLATED BRASS TERMINALS.
- △ NICKEL PLATED BRASS SCREWS.
- △ SEE FIGURE.
- △ PRELIMINARY PART NUMBER.
- △ OBSOLETE PART NUMBER.
- △ TE CONNECTIVITY LOGO LOCATED APPROXIMATE AREA SHOWN.

△6/5	-	-	-	-	-	-	-	-	-	-	7.886	8.323	13	1-1546310-3
△2/7	-	-	-	-	-	-	-	12	12	12	7.323	7.760	12	4-1546310-8
△	-	8	-	-	-	12	12	12	-	-	7.323	7.760	12	4-1546310-7
△	-	-	-	-	-	12	12	12	-	-	7.323	7.760	12	4-1546310-6
	-	-	-	-	-	-	-	-	-	-	7.323	7.760	12	1-1546310-2
	-	-	-	-	-	-	-	-	-	-	6.760	7.179	11	1-1546310-1
	-	-	-	-	-	-	-	-	-	-	6.197	6.634	10	1-1546310-0
	-	-	-	-	-	-	-	-	-	-	5.634	6.071	9	1546310-9
△4/7	-	-	-	-	-	-	-	-	-	-	5.071	5.508	8	4-1546310-5
	-	8	8	-	-	-	-	-	-	-	5.071	5.508	8	2-1546310-9
	-	-	-	-	-	-	-	-	-	-	5.071	5.508	8	1546310-8
△	-	-	-	-	-	7	-	-	-	-	4.508	4.945	7	3-1546310-8
△	-	-	-	-	-	-	-	-	-	-	4.508	4.945	7	1546310-7
△4/7	-	-	-	-	-	-	-	-	-	-	3.945	4.382	6	4-1546310-4
△4/7	-	-	-	-	-	-	-	-	-	-	3.945	4.382	6	4-1546310-3
△	-	-	-	-	-	-	-	-	-	-	3.945	4.382	6	4-1546310-2
△5/3/2/1/7	-	-	-	-	-	-	-	-	-	-	3.945	4.382	6	3-1546310-1
	-	-	-	-	-	6	-	-	-	-	3.945	4.382	6	3-1546310-0
	-	6	6	-	-	-	-	-	-	-	3.945	4.382	6	2-1546310-8
△5/4/3/7	-	1	1	-	-	5	1	-	-	-	3.945	4.382	6	2-1546310-6
△1/7	-	-	-	-	-	-	-	6	-	-	3.945	4.382	6	2-1546310-3
△1/7	-	-	-	-	-	6	-	-	-	-	3.945	4.382	6	2-1546310-2
△	-	-	-	-	-	-	-	-	-	6	3.945	4.382	6	2-1546310-1
△5/2/7	-	-	-	-	-	-	-	-	-	6	3.945	4.382	6	1546636-1
△6/1	-	-	-	6	-	-	-	-	6	-	3.945	4.382	6	1-1546310-9
△	-	-	-	6	-	-	-	-	-	-	3.945	4.382	6	1546589-1
	-	-	-	-	-	-	-	-	-	-	3.945	4.382	6	1546310-6
	-	-	-	-	-	5	-	-	-	-	3.382	3.819	5	3-1546310-7
△5/4/3/7	-	1	1	-	-	-	-	1	-	5	3.382	3.819	5	2-1546310-7
	-	-	-	-	-	-	-	-	-	-	3.382	3.819	5	1546310-5
△2/6	-	-	-	-	-	-	-	-	4	4	2.819	3.256	4	5-1546310-0
△5/4/3/2/7	-	-	-	-	-	-	-	-	-	-	2.819	3.256	4	4-1546310-1
△4	-	-	-	-	-	-	-	-	-	-	2.819	3.256	4	4-1546310-0
△5/3/2/1/7	-	-	-	-	-	-	-	-	-	-	2.819	3.256	4	3-1546310-9
	-	-	-	-	-	-	-	-	-	-	2.819	3.256	4	1546310-4
△4/3/7	-	-	-	-	-	-	-	-	-	-	2.256	2.693	3	2-1546310-5
△5/1/7	-	-	-	-	-	-	-	-	3	1	2.256	2.693	3	2-1546310-4
△6/5/1	-	-	-	1	2	-	-	-	1	-	2.256	2.693	3	2-1546310-0
	-	-	-	-	-	-	-	-	-	-	2.256	2.693	3	1546310-3
	-	-	-	-	-	-	-	2	-	-	1.693	2.130	2	5-1546310-1
	-	-	-	-	-	-	-	-	-	-	1.693	2.130	2	1546310-2

NOTES (9) OTB JUMPER (8) .250 QC TAB 90° DOUBLE SIDE (7) .250 QC TAB 90°/45° DOUBLE SIDE (6) .250 QC TAB 90° DOUBLE SIDE (5) .250 QC TAB 45° DOUBLE SIDE (4) .250 QC TAB STRAIGHT DOUBLE SIDE (3) .250 QC TAB 90° SINGLE SIDE (2) .250 QC TAB 45° SINGLE SIDE (1) .250 QC TAB STRAIGHT SINGLE SIDE DIM B DIM A NO. OF POSN PART NUMBER

THIS DRAWING IS A CONTROLLED DOCUMENT.

DIMENSIONS: INCHES

TOLERANCES UNLESS OTHERWISE SPECIFIED:  
 0 PLC ± -  
 1 PLC ± -  
 2 PLC ± -  
 3 PLC ± -  
 4 PLC ± -  
 ANGLES ± -

FINISH: -

APPROVED: S SCHLEGEL 16FEB2007  
 CHECKED: S YODER 2/16/07  
 APVD: S YODER 2/16/07  
 PRODUCT SPEC: -  
 APPLICATION SPEC: -  
 WEIGHT: -

CUSTOMER DRAWING

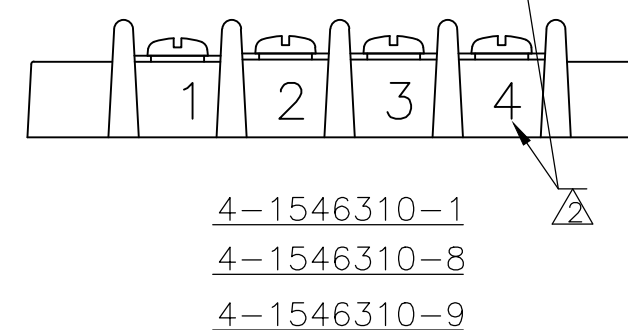
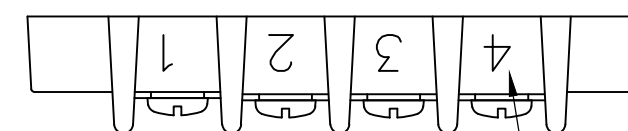
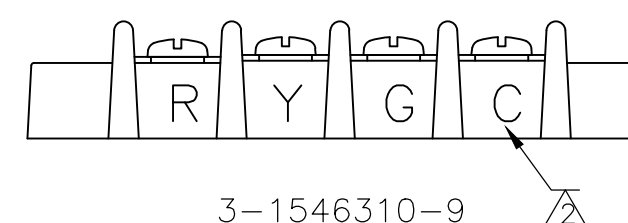
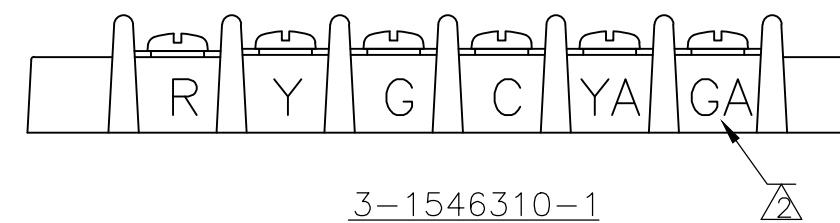
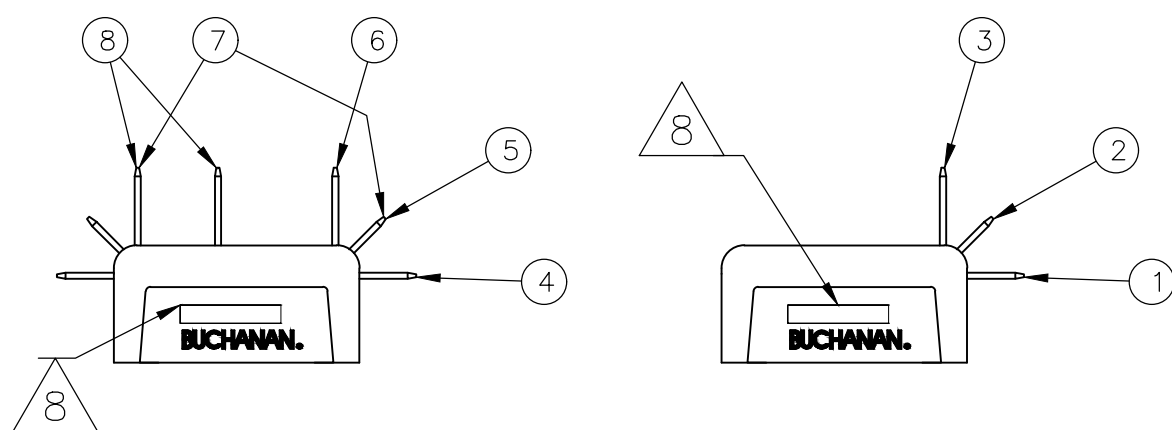
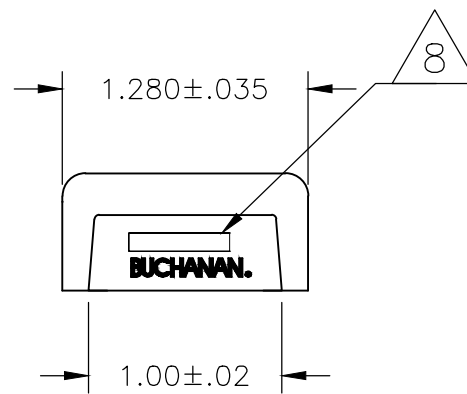
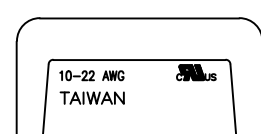
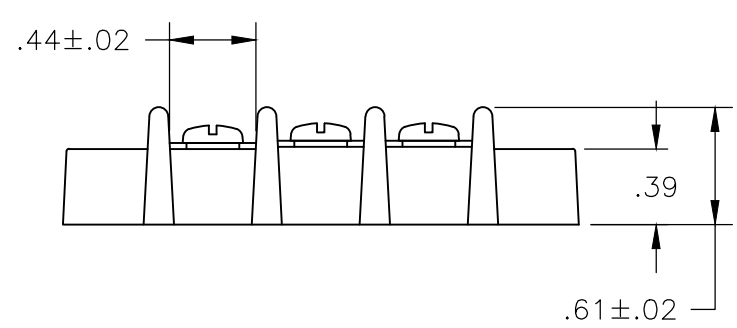
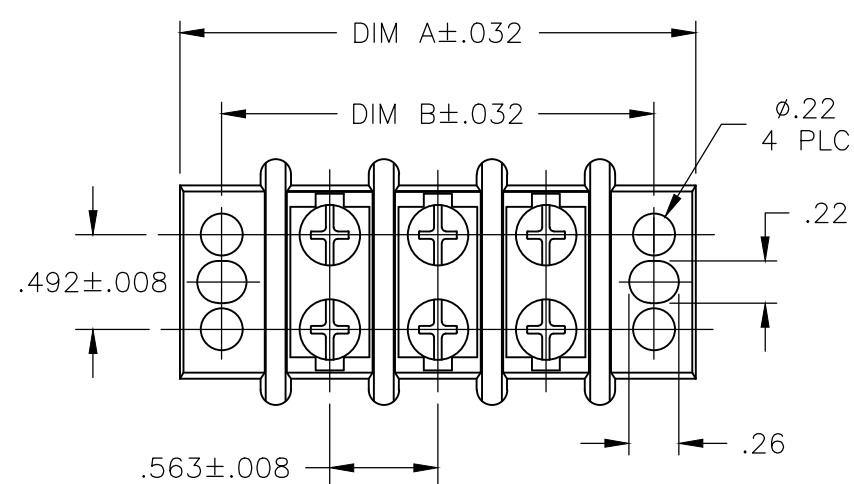
SCALE: NTS SHEET: 1 of 4 REV: T5

TE Connectivity Ltd.  
 14.3 (.563) DBL ROW BARRIER STRIP W/O WASHER

SIZE: A2 CAGE CODE: 00779 DRAWING NO: 1546310 RESTRICTED TO: -

THIS DRAWING IS UNPUBLISHED. RELEASED FOR PUBLICATION  
 © COPYRIGHT - By - ALL RIGHTS RESERVED.

REVISIONS				
P	LTR	DESCRIPTION	DATE	APVD
-	-	SEE SHEET 1	-	-



REV	DESCRIPTION	DATE	BY	CHKD	APVD	QTY	POSN	DIM B	DIM A	NO. OF POSN	PART NUMBER
2						2		1.693	2.130		5-1546310-1
								10.701	11.138	18	1-1546310-8
								10.138	10.575	17	1-1546310-7
								9.575	10.012	16	1-1546310-6
								9.012	9.449	15	1-1546310-5
6						14	14	8.449	8.886	14	4-1546310-9
7								8.449	8.886	14	1-1546310-4

NOTES: 9 OTB JUMPER, 8 .250 QC TAB 90° DOUBLE SIDE, 7 .250 QC TAB 90°/45° DOUBLE SIDE, 6 .250 QC TAB 90° DOUBLE SIDE, 5 .250 QC TAB 45° DOUBLE SIDE, 4 .250 QC TAB STRAIGHT DOUBLE SIDE, 3 .250 QC TAB 90° SINGLE SIDE, 2 .250 QC TAB 45° SINGLE SIDE, 1 .250 QC TAB STRAIGHT SINGLE SIDE

THIS DRAWING IS A CONTROLLED DOCUMENT.

DWN	S SCHLEGEL	16FEB2007
CHK	S YODER	2/16/07
APVD	S YODER	2/16/07
PRODUCT SPEC	-	
APPLICATION SPEC	-	
WEIGHT	-	

TE Connectivity Ltd.

14.3 (.563) DBL ROW BARRIER STRIP W/O WASHER

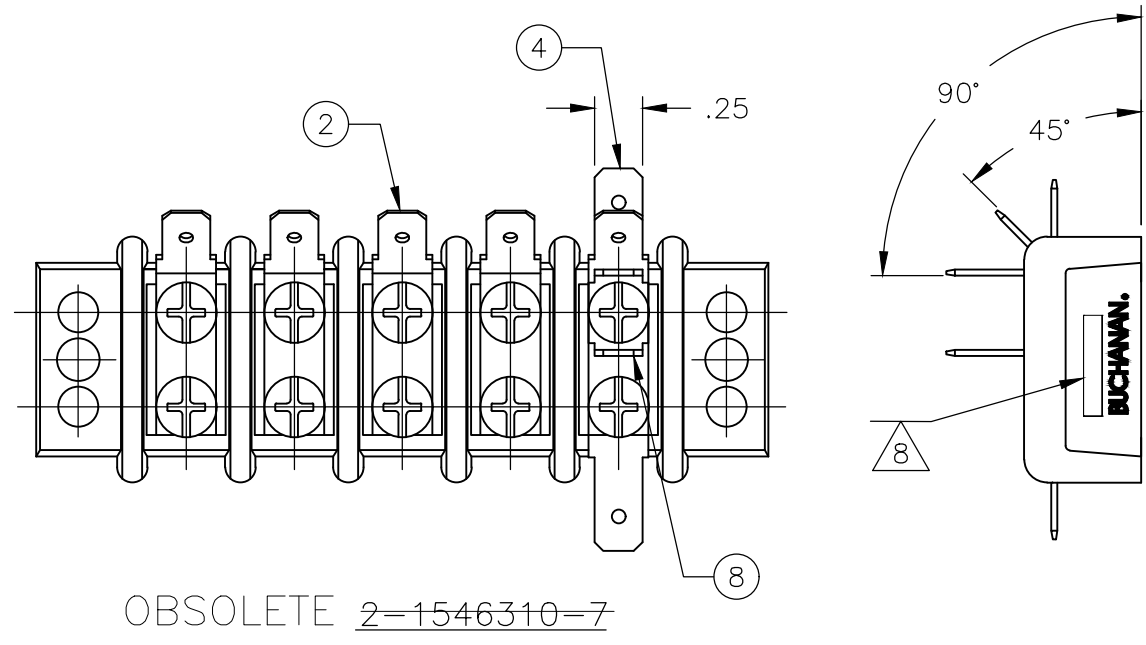
SCALE: A2 00779 C=1546310


CUSTOMER DRAWING

SCALE: NTS SHEET: 2 OF 4 REV: T5

THIS DRAWING IS UNPUBLISHED. RELEASED FOR PUBLICATION  
 © COPYRIGHT - By - ALL RIGHTS RESERVED.

REVISIONS					
P	LTR	DESCRIPTION	DATE	DWN	APVD
-	-	SEE SHEET 1	-	-	-

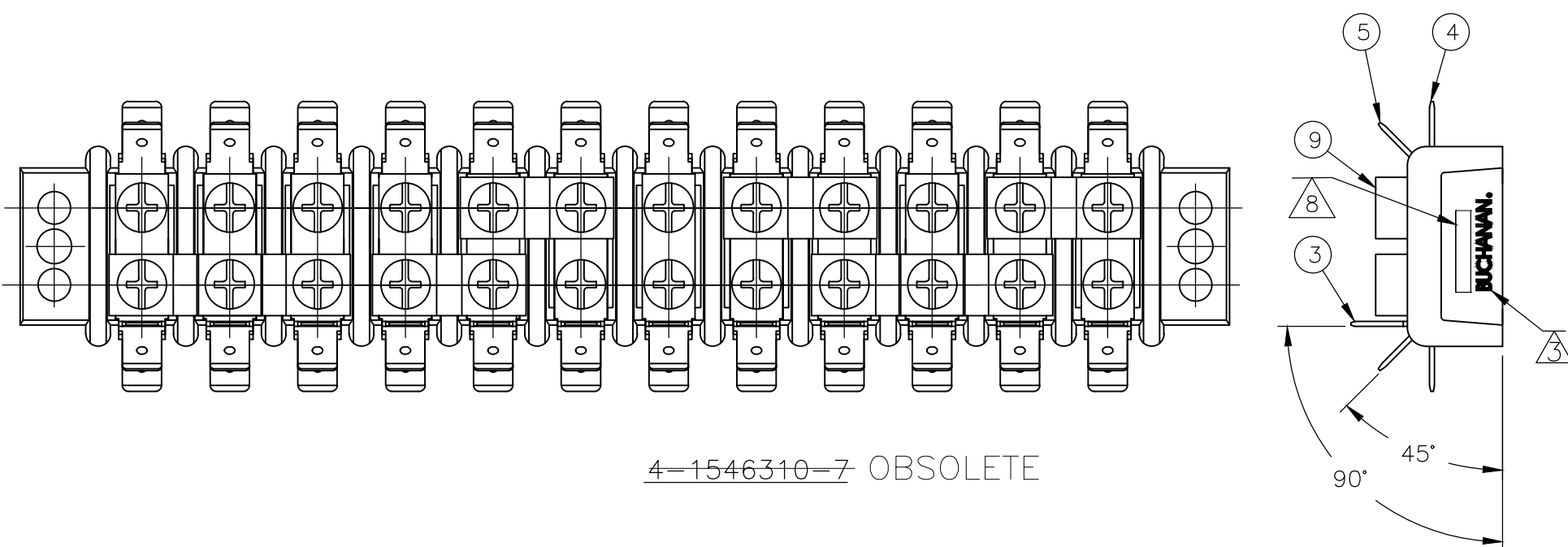


THIS DRAWING IS A CONTROLLED DOCUMENT.		DWN S SCHLEGEL 16FEB2007	 TE Connectivity Ltd.	
DIMENSIONS: INCHES		CHK S YODER 2/16/07		
TOLERANCES UNLESS OTHERWISE SPECIFIED:		APVD S YODER 2/16/07	NAME 14.3 (.563) DBL ROW BARRIER STRIP W/O WASHER	
0 PLC ± - 1 PLC ± - 2 PLC ± - 3 PLC ± - 4 PLC ± - ANGLES ± -		PRODUCT SPEC -	SIZE A2	CAGE CODE 00779
MATERIAL -		FINISH -	DRAWING NO C=1546310	RESTRICTED TO -
CUSTOMER DRAWING		WEIGHT -	SCALE NTS	SHEET 3 OF 4
		REV T5		

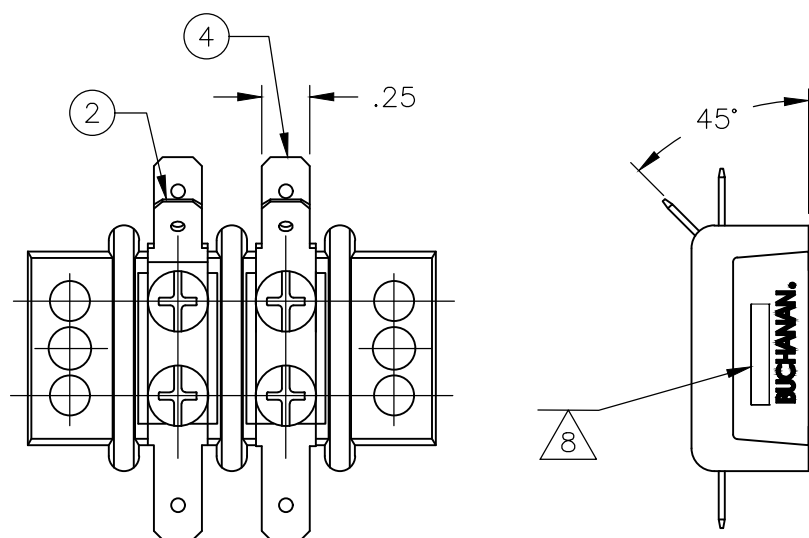
1546310

THIS DRAWING IS UNPUBLISHED. RELEASED FOR PUBLICATION  
 © COPYRIGHT - By - ALL RIGHTS RESERVED.

REVISIONS				
P	LTR	DESCRIPTION	DATE	APVD
-	-	SEE SHEET 1	-	-



4-1546310-7 OBSOLETE



5-1546310-1

THIS DRAWING IS A CONTROLLED DOCUMENT.		DWN S SCHLEGEL 16FEB2007	<b>TE Connectivity Ltd.</b>																			
DIMENSIONS: INCHES		CHK S YODER 2/16/07																				
TOLERANCES UNLESS OTHERWISE SPECIFIED:		APVD S YODER 2/16/07	NAME 14.3 (.563) DBL ROW BARRIER STRIP W/O WASHER																			
<table border="0"> <tr><td>0 PLC</td><td>±</td><td>-</td></tr> <tr><td>1 PLC</td><td>±</td><td>-</td></tr> <tr><td>2 PLC</td><td>±</td><td>-</td></tr> <tr><td>3 PLC</td><td>±</td><td>-</td></tr> <tr><td>4 PLC</td><td>±</td><td>-</td></tr> <tr><td>ANGLES</td><td>±</td><td>-</td></tr> </table>		0 PLC	±	-	1 PLC	±	-	2 PLC	±	-	3 PLC	±	-	4 PLC	±	-	ANGLES	±	-	PRODUCT SPEC -	APPLICATION SPEC -	RESTRICTED TO -
0 PLC	±	-																				
1 PLC	±	-																				
2 PLC	±	-																				
3 PLC	±	-																				
4 PLC	±	-																				
ANGLES	±	-																				
MATERIAL -	FINISH -	WEIGHT -	SIZE A2	CAGE CODE 00779																		
CUSTOMER DRAWING			DRAWING NO C=1546310	SCALE NTS																		
			SHEET 4	REV T5																		



Компания «ЭлектроПласт» предлагает заключение долгосрочных отношений при поставках импортных электронных компонентов на взаимовыгодных условиях!

Наши преимущества:

- Оперативные поставки широкого спектра электронных компонентов отечественного и импортного производства напрямую от производителей и с крупнейших мировых складов;
- Поставка более 17-ти миллионов наименований электронных компонентов;
- Поставка сложных, дефицитных, либо снятых с производства позиций;
- Оперативные сроки поставки под заказ (от 5 рабочих дней);
- Экспресс доставка в любую точку России;
- Техническая поддержка проекта, помощь в подборе аналогов, поставка прототипов;
- Система менеджмента качества сертифицирована по Международному стандарту ISO 9001;
- Лицензия ФСБ на осуществление работ с использованием сведений, составляющих государственную тайну;
- Поставка специализированных компонентов (Xilinx, Altera, Analog Devices, Intersil, Interpoint, Microsemi, Aeroflex, Peregrine, Syfer, Eurofarad, Texas Instrument, Miteq, Cobham, E2V, MA-COM, Hittite, Mini-Circuits, General Dynamics и др.);

Помимо этого, одним из направлений компании «ЭлектроПласт» является направление «Источники питания». Мы предлагаем Вам помощь Конструкторского отдела:

- Подбор оптимального решения, техническое обоснование при выборе компонента;
- Подбор аналогов;
- Консультации по применению компонента;
- Поставка образцов и прототипов;
- Техническая поддержка проекта;
- Защита от снятия компонента с производства.



#### Как с нами связаться

**Телефон:** 8 (812) 309 58 32 (многоканальный)

**Факс:** 8 (812) 320-02-42

**Электронная почта:** [org@eplast1.ru](mailto:org@eplast1.ru)

**Адрес:** 198099, г. Санкт-Петербург, ул. Калинина, дом 2, корпус 4, литера А.