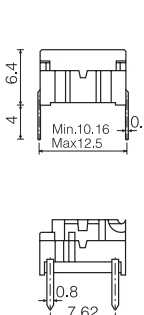
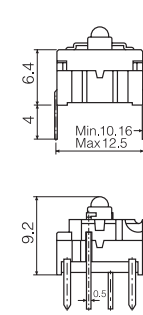
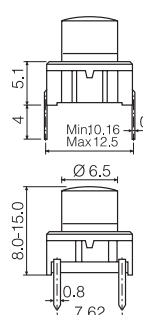
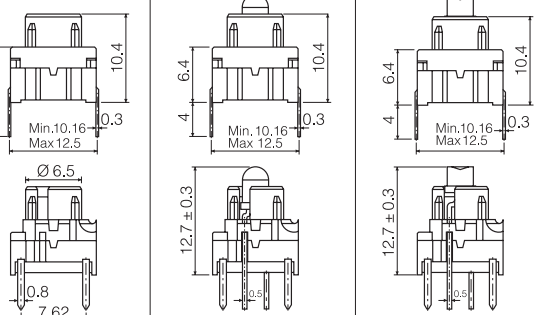
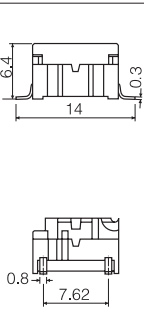
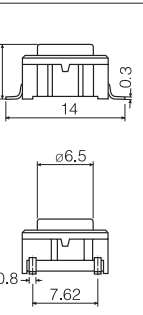
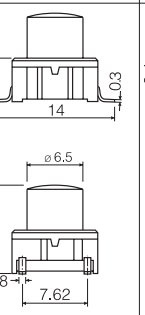
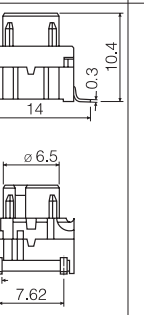
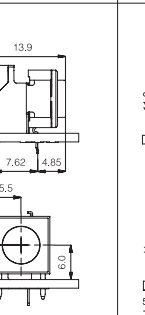
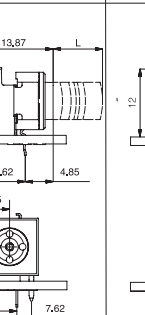
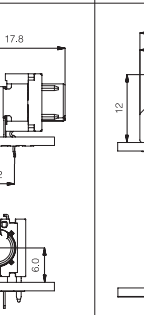
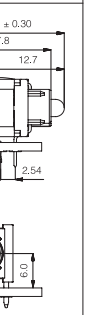


multimec® basic switch modules

| Through-hole Versions | | | | | | | | | | | | | |
|---|------------------|---|------------------------|---|--|---------------|----------------|------------------|----------------------|------------------------|----------------|--|---------------|
| 3A | | 3C | | 3E | 3F | | | | | | | | |
| For 1A/1B/1M/1ZA/1ZB | | w/LED for 1C/1H | | For 3E actuators/Varimec | For 1D/1K/1N/1P/1S/1T/1U/1V/1WA/1WD/1WG/1WP/1X/1ZC/1GA/1GC | | | | | | | | |
|  | |  | |  |  | | | | | | | | |
| <p style="text-align: center;">Standard Versions</p> <table border="1" style="width: 100%; border-collapse: collapse;"> <tr> <td style="width: 16.6%;">3ATL6 3ATH9</td> <td style="width: 16.6%;">3ATL600/20/40/80</td> <td style="width: 16.6%;">3CTL6/3CTL9 3CTH9</td> <td style="width: 16.6%;">3ETLXX-H* 3ETHXX-H*</td> <td style="width: 16.6%;">3FTL6 3FTH9</td> <td style="width: 16.6%;">3FTL600/20/40/60/80/ 2040/8020/8040</td> <td style="width: 16.6%;">3FTL623/45/88</td> </tr> </table> <p>* 3E available in 6 standard heights: 08.0, 09.5, 10.4, 11.0, 12.0, 15.0 mm. Other heights between 08.0 and 15.0 mm are available upon request.</p> <p>Specials: Gold contacts, quiet version and actuation force other than 3.0N</p> | | | | | | | 3ATL6 3ATH9 | 3ATL600/20/40/80 | 3CTL6/3CTL9 3CTH9 | 3ETLXX-H* 3ETHXX-H* | 3FTL6 3FTH9 | 3FTL600/20/40/60/80/ 2040/8020/8040 | 3FTL623/45/88 |
| 3ATL6 3ATH9 | 3ATL600/20/40/80 | 3CTL6/3CTL9 3CTH9 | 3ETLXX-H* 3ETHXX-H* | 3FTL6 3FTH9 | 3FTL600/20/40/60/80/ 2040/8020/8040 | 3FTL623/45/88 | | | | | | | |

| Surface Mount Versions | | | | Right Angle Versions | | | | | | | | | | | |
|--|--|--|--|---|--|--|--|----------|--------------|----------|---|---|--|--|--|
| 3A | 3C | 3E | 3F | 3C | 3E | 3F | 3F w/LED | | | | | | | | |
| For 1A/1B/1M/1ZA/1ZB | | For 3E actuators/Varimec | For 1D/1K/1N/1P/1S/1T/1U/1V/1WA/1WD/1WP/1X/1ZC/1GA/1GC | | For 3E actuators/Varimec | For 1D/1K/1N/1P/1S/1T/1U/1V/1W/1WA/1WD/1WP/1X/1ZC/1GA/1GC | For 1D/1E/1F/1N/1Q/1R/1S/1X | | | | | | | | |
|  |  |  |  |  |  |  |  | | | | | | | | |
| <p style="text-align: center;">Standard Versions</p> <table border="1" style="width: 100%; border-collapse: collapse;"> <tr> <td style="width: 12.5%;">3ASH9/3ASH9R</td> <td style="width: 12.5%;">3CSH9/3CSH9R</td> <td style="width: 12.5%;">3ESH9/3ESH9R</td> <td style="width: 12.5%;">3FSH9/3FSH9R</td> <td style="width: 12.5%;">3CTL6RAS</td> <td style="width: 12.5%;">3ETXX-X.XRAS</td> <td style="width: 12.5%;">3FTL6RAS</td> <td style="width: 12.5%;">3FTL600/20/40/60/80/ 2040/8020/8040RAS</td> </tr> </table> | | | | 3ASH9/3ASH9R | 3CSH9/3CSH9R | 3ESH9/3ESH9R | 3FSH9/3FSH9R | 3CTL6RAS | 3ETXX-X.XRAS | 3FTL6RAS | 3FTL600/20/40/60/80/ 2040/8020/8040RAS | <p style="text-align: center;">Standard Versions</p> | | | |
| 3ASH9/3ASH9R | 3CSH9/3CSH9R | 3ESH9/3ESH9R | 3FSH9/3FSH9R | 3CTL6RAS | 3ETXX-X.XRAS | 3FTL6RAS | 3FTL600/20/40/60/80/ 2040/8020/8040RAS | | | | | | | | |

Co-planarity = ≤ 0.05

DIMENSIONS (mm) Unless otherwise specified, all tolerances ± 0.2

multimec® Cross Section



For updates of products and/or changes of specifications please see www.mec.dk

multimec[®] 3C/3E

Technical Data

- through-hole or SMD
- 50mA/24VDC
- single pole/momentary
- 10.000.000 operations life time
- IP67 sealing
- temperature range:
 - low temp: -40/+115°C
 - high temp: -40/+160°C
- actuator:
 - in PPS: -40/+160°C
 - in polycarbonate: -40/+85°C



| Standard 3C | | Variable heights 3E | |
|---------------------------|-----------------------|---------------------------|-----------------------|
| Dimensions (through-hole) | Dimensions (SMD) | Dimensions (through-hole) | Dimensions (SMD) |
| | | | |
| PCB layout | PCB layout | PCB layout | PCB layout |

How to order

| | | |
|---------------|--------------------------|----------------------------|
| 3 C | <input type="checkbox"/> | <input type="checkbox"/> |
| Switch | Mounting | L 6 low temp. white |
| | T through-hole | L 9 low temp. black |
| | S surface mount | H 9 high temp. |

| | | | | | | | |
|---------------|--------------------------|--------------------------|-----------------------------|--------------------------|--------------------------|--------------------------|--------------------------------|
| 3 E | <input type="checkbox"/> | <input type="checkbox"/> | 9 | <input type="checkbox"/> | <input type="checkbox"/> | <input type="checkbox"/> | <input type="checkbox"/> |
| Switch | Mounting | L low temp. | Black | | | | Standard overall height |
| | T through-hole | H high temp. | Actuator made of PPS | | | | 08.0 |
| | S surface mount | | | | | | 09.5 |
| | | | | | | | 10.4 |
| | | | | | | | 11.0 |
| | | | | | | | 12.0 |
| | | | | | | | 15.0 |

Custom heights:

3E is available in any height from 08.0 to 15.0mm.
Min. order qty. for custom heights is 2.000 pcs.

| | | | | | | | |
|---------------|-----------------------|--------------------|---------------------------------------|--------------------------|--------------------------|--------------------------|--------------------------------|
| 3 E | T | L | <input type="checkbox"/> | <input type="checkbox"/> | <input type="checkbox"/> | <input type="checkbox"/> | <input type="checkbox"/> |
| Switch | Mounting | L low temp. | 20 blue | | | | Standard overall height |
| | T through-hole | | 23 grey | | | | 08.0 |
| | | | 24 yellow | | | | 09.5 |
| | | | 28 red | | | | 10.4 |
| | | | 29 black | | | | 11.0 |
| | | | Actuator made of polycarbonate | | | | 12.0 |
| | | | | | | | 15.0 |

Switch and 3E actuator can be delivered unassembled.

The actuators made of polycarbonate can also be used for high temperature switches, however they must be mounted after soldering and the temp. range will be reduced to 85°C.

Ordering example: 3CTL6 and 3ETL9-09.5 or 3ETL23-08.0

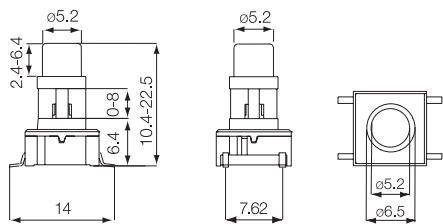
For updates of products and/or changes of specifications please see www.mec.dk

Technical Data

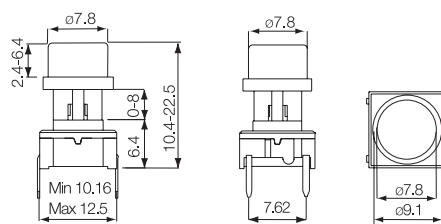
- through-hole or SMD
- 50mA/24VDC
- single pole/momentary
- 10.000.000 operations life time
- IP67 sealing
- temperature range switch:
low temp: -40/+115°C
high temp: -40/+160 °C
- temperature range cap:
-40/+160 °C



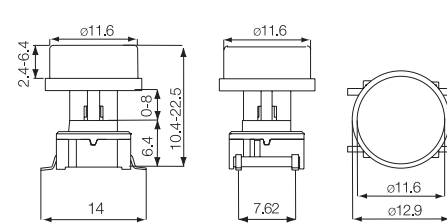
Round ø5.2



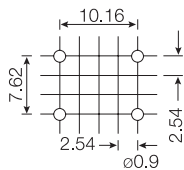
Round ø7.8



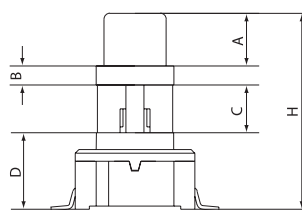
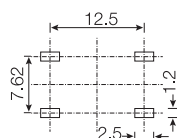
Round ø11.6



PCB Layout (through-hole)



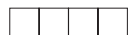
PCB Layout (SMD)



The Concept

- H** = Overall heights from 10.4-22.5
- A** = Variable height from 2.4 to 6.4
A cannot exceed **H** - 8.0
- B** = Fixed recess 1.6
- D** = Fixed switch 6.4
- C** = Variable from 0-8.1
- C = H - A - B - D**
- All measurements in mm

How to order



Switch

3ETL
3ESH
3ETH



Shape and Size

A 5.2 Round
E 7.8 Round
K 11.6 Round



Colour Codes

60 blue
63 grey
64 yellow
68 red
69 black



Overall Height
H

A 10.4
B 11.0
C 12.0
D 12.5
E 13.0
F 14.0
G 15.0
H 16.0
J 19.0
K 22.5



Height above recess
A

A 2.4
B 3.0
C 3.5
D 4.0
E 4.5
F 5.0
G 5.6
H 6.4



Tape*

R

Cap alone:

Instead of part no. for switch please use 3E- and then same as above

Examples Switch and Cap:

3ETLE64CC = Switch 3ETL, 7.8 Round Cap, Yellow, Overall Height 12.0, Height above recess 3.5, (Height under recess 0.5).

Example Cap Alone:

3E-E63FF = Cap, 7.8 Round, Grey, Overall Height with switch 14.0, Height above recess 5.0, (Height under recess 1.0).

Min. order is 2.000 pcs. per shape, size and heights for parts mentioned above.

For heights not mentioned in the list a start-up fee will apply.

*Only overall height up to 12.5mm can be supplied on tape.

For updates of products and/or changes of specifications please see www.mec.dk

Technical Data

- through-hole or SMD
- 50mA/24VDC
- single pole/momentary
- 10.000.000 operations life time
- IP67 sealing
- temperature range switch:
low temp: -40/+115°C
high temp: -40/+160°C
- temperature range cap:
-40/+160°C



Square 5.2



Square 7.8



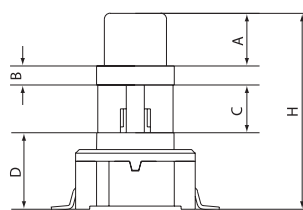
Square 11.6



PCB Layout (through-hole)



PCB Layout (SMD)



The Concept

- H** = Overall heights from 10.4 - 22.5
- A** = Variable height from 2.4 to 6.4
- A** cannot exceed **H** - 8.0
- B** = Fixed recess 1.6
- D** = Fixed switch 6.4
- C** = Variable from 0-8.1
- C = H - A - B - D**
- All measurements in mm

How to order



Switch

3ETL
3ESH
3ETH



Shape and Size

B 5.2 Square
F 7.8 Square
L 11.6 Square



Colour Codes

60 blue
63 grey
64 yellow
68 red
69 black



Overall Height

H
A 10.4
B 11.0
C 12.0
D 12.5
E 13.0
F 14.0
G 15.0
H 16.0
J 19.0
K 22.5



Height above recess

A
A 2.4
B 3.0
C 3.5
D 4.0
E 4.5
F 5.0
G 5.6
H 6.4



Tape*

R

Cap alone:

Instead of part no. for switch please use 3E- and then same as above

Examples Switch and Cap:

3ESHB60AA = Switch 3ESH, 5.2 Square Cap, Blue, Overall Height 10.4, Height above recess 2.4, (Height under recess 0).

Example Cap Alone:

3E-E63FF = Cap, 7.8 Square, Grey, Overall Height with switch 14.0, Height above recess 5.0, (Height under recess 1.0).

Min. order is 2.000 pcs. per shape, size and heights for parts mentioned above.

For heights not mentioned in the list a start-up fee will apply.

*Only overall height up to 12.5 mm can be supplied on tape.

For updates of products and/or changes of specifications please see www.mec.dk



Компания «ЭлектроПласт» предлагает заключение долгосрочных отношений при поставках импортных электронных компонентов на взаимовыгодных условиях!

Наши преимущества:

- Оперативные поставки широкого спектра электронных компонентов отечественного и импортного производства напрямую от производителей и с крупнейших мировых складов;
- Поставка более 17-ти миллионов наименований электронных компонентов;
- Поставка сложных, дефицитных, либо снятых с производства позиций;
- Оперативные сроки поставки под заказ (от 5 рабочих дней);
- Экспресс доставка в любую точку России;
- Техническая поддержка проекта, помощь в подборе аналогов, поставка прототипов;
- Система менеджмента качества сертифицирована по Международному стандарту ISO 9001;
- Лицензия ФСБ на осуществление работ с использованием сведений, составляющих государственную тайну;
- Поставка специализированных компонентов (Xilinx, Altera, Analog Devices, Intersil, Interpoint, Microsemi, Aeroflex, Peregrine, Syfer, Eurofarad, Texas Instrument, Miteq, Cobham, E2V, MA-COM, Hittite, Mini-Circuits, General Dynamics и др.);

Помимо этого, одним из направлений компании «ЭлектроПласт» является направление «Источники питания». Мы предлагаем Вам помощь Конструкторского отдела:

- Подбор оптимального решения, техническое обоснование при выборе компонента;
- Подбор аналогов;
- Консультации по применению компонента;
- Поставка образцов и прототипов;
- Техническая поддержка проекта;
- Защита от снятия компонента с производства.



Как с нами связаться

Телефон: 8 (812) 309 58 32 (многоканальный)

Факс: 8 (812) 320-02-42

Электронная почта: org@eplast1.ru

Адрес: 198099, г. Санкт-Петербург, ул. Калинина, дом 2, корпус 4, литера А.