

## 1. Features and Benefits

- Wide operating voltage range: from 2.7V to 24V
- Integrated self-diagnostic functions activating dedicated Safe Mode
- Reverse supply voltage protection
- Under-Voltage Lockout protection
- Integrated capacitor for PCB less designs
- HW component Qualified according to ISO26262-8:13 for use in safety critical systems.

## 2. Application Examples

- Automotive, Consumer and Industrial
- Brake light switch
- Window lifter
- Door lock
- Seatbelt buckle
- Seat positioning
- Transmission applications
- Electrical power steering

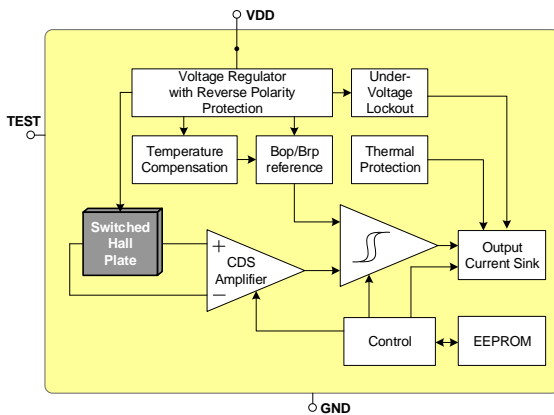
## 3. Ordering Information

| Product Code | Temperature Code | Package Code | Option Code | Packing Form Code |
|--------------|------------------|--------------|-------------|-------------------|
| MLX92241     | L                | UA           | BAA-0xx     | BU                |
| MLX92241     | L                | SE           | BAA-0xx     | RE                |
| MLX92241     | L                | UA           | BAA-1xx     | BU                |
| MLX92241     | L                | SE           | BAA-2xx     | RE                |
| MLX92241     | L                | UA           | BAA-3xx     | BU                |

**Legend:**

Temperature Code: L(-40°C to 150°C)  
Package Code: UA = TO92-3L | SE = TSOT-3L  
Option Code: 0xx => Perpendicular sensitive  
1xx => Integrated capacitor (UA package only)  
2xx => IMC (SE package only)  
3xx => Integrated capacitor and IMC (UA package only)  
Packing Form: BU = Bulk | RE = Reel | CA=Papertape in Ammopack | CR=Papertape on Reel  
Ordering example: MLX92241LUA-BAA-1xx-BU

## 4. Functional Diagram



## 5. General Description

The Melexis MLX92241 is based on the Melexis Hall-effect latest platform, designed in mixed signal submicron CMOS technology.

The device integrates a voltage regulator, Hall sensor with advanced offset cancellation system and a current sink-configured output driver and integrated capacitor all in a single package.

Based on the proven in use platform, the magnetic core is using an improved offset cancellation system allowing faster and more accurate processing while being temperature insensitive and stress independent. In addition a pre-programmable temperature coefficient is implemented to compensate the natural behavior of certain types of magnets becoming weaker with rise in temperature.

The included voltage regulator operates from 2.7 to 24V, hence covering a wide range of applications. With the built-in reverse voltage protection, a serial resistor or diode on the supply line is not required so that even remote sensors can be specified for low voltage operation down to 2.7V while being reverse voltage tolerant.

In an event of a drop below the minimum supply voltage during operation, the under-voltage lock-out protection will automatically freeze the device, preventing the electrical perturbation to affect the magnetic measurement circuitry. The output current state is therefore only updated based on a proper and accurate magnetic measurement result.

The two-wire interface not only saves one wire, but also allows implementation of diagnostic functions as reverse polarity connection and malfunction detection.

The on-chip thermal protection also switches off the output if the junction temperature increases above an abnormally high threshold. It will automatically recover once the temperature decreases below a safe value.

The MLX92241 is delivered in a Green and RoHS compliant Plastic Single-in-Line (TO-92) for through-hole mount, or PCB-less design with integrated capacitor or in 3-pin Thin Small Outline Transistor (TSOT) for surface mount process.

## Contents

|   |           |
|---|-----------|
| <b>1. Features and Benefits</b> .....             | <b>1</b>  |
| <b>2. Application Examples</b> .....              | <b>1</b>  |
| <b>3. Ordering Information</b> .....              | <b>1</b>  |
| <b>4. Functional Diagram</b> .....                | <b>2</b>  |
| <b>5. General Description</b> .....               | <b>2</b>  |
| <b>6. Glossary of Terms</b> .....                 | <b>5</b>  |
| <b>7. Absolute Maximum Ratings</b> .....          | <b>5</b>  |
| <b>8. General Electrical Specifications</b> ..... | <b>6</b>  |
| <b>9. Magnetic Specifications</b> .....           | <b>7</b>  |
| 9.1. MLX92241LSE-BAA-007 .....                    | 7         |
| 9.2. MLX92241LSE-BAA-019 .....                    | 7         |
| 9.3. MLX92241LSE-BAA-021 .....                    | 7         |
| 9.4. MLX92241LSE-BAA-023 .....                    | 8         |
| 9.5. MLX92241LSE-BAA-024 .....                    | 8         |
| 9.6. MLX92241LSE-BAA-025 .....                    | 8         |
| 9.7. MLX92241LSE-BAA-027 .....                    | 9         |
| 9.8. MLX92241LUA-BAA-101 .....                    | 9         |
| 9.9. MLX92241LUA-BAA-103 .....                    | 9         |
| 9.10. MLX92241LUA-BAA-106 .....                   | 10        |
| 9.11. MLX92241LUA-BAA-107 .....                   | 10        |
| 9.12. MLX92241LUA-BAA-108 .....                   | 10        |
| 9.13. MLX92241LUA-BAA-110 .....                   | 10        |
| 9.14. MLX92241LUA-BAA-111 .....                   | 11        |
| 9.15. MLX92241LUA-BAA-112 .....                   | 11        |
| 9.16. MLX92241LUA-BAA-113 .....                   | 11        |
| 9.17. MLX92241LUA-BAA-114 .....                   | 12        |
| 9.18. MLX92241LSE-BAA-032 .....                   | 12        |
| 9.19. MLX92241LUA-BAA-033 .....                   | 12        |
| 9.20. MLX92241LSE-BAA-034 .....                   | 12        |
| <b>10. Magnetic Behavior</b> .....                | <b>14</b> |
| <b>11. Application Information</b> .....          | <b>15</b> |

- 11.1. Typical Automotive Application Circuit..... 15
- 11.2. Automotive and Harsh, Noisy Environments Application Circuit ..... 15
- 11.3. Power Derating Curve..... 16
- 11.4. Voltage Derating Curve..... 16
- 12. Standard information regarding manufacturability of Melexis products with different soldering processes..... 17**
- 13. ESD Precautions..... 17**
- 14. Package Information..... 18**
  - 14.1. SE (TSOT-3L) Package Information ..... 18
  - 14.2. UA (TO92 - 3L) Package Information..... 19
  - 14.3. UA (TO92 - 3L) with integrated capacitor Package Information ..... 20
- 15. Contact ..... 21**
- 16. Disclaimer ..... 21**

## 6. Glossary of Terms

|       |  |
|-------|--|
| Tesla | Units for the magnetic flux density, 1 mT = 10 Gauss |
| TC    | Temperature Coefficient in ppm/°C                    |
| NC    | Not Connected  |
| POR   | Power on Reset                                       |
| IMC   | integrated magnetic concentrator (lateral sensing)   |

## 7. Absolute Maximum Ratings

Exceeding the absolute maximum ratings may cause permanent damage. Exposure to absolute maximum rated conditions for extended periods may affect device reliability.

| Parameter                                     | Symbol             | Value     | Units |
|---|--------------------|-----------|-------|
| Supply Voltage <sup>(1, 2)</sup>              | V <sub>DD</sub>    | +28       | V     |
| Supply Voltage (Load Dump) <sup>(1, 4)</sup>  | V <sub>DD</sub>    | +32       | V     |
| Supply Current <sup>(1, 2, 3)</sup>           | I <sub>DD</sub>    | +20       | mA    |
| Supply Current <sup>(1, 3, 4)</sup>           | I <sub>DD</sub>    | +50       | mA    |
| Reverse Supply Voltage <sup>(1, 2)</sup>      | V <sub>DDREV</sub> | -24       | V     |
| Reverse Supply Voltage <sup>(1, 4)</sup>      | V <sub>DDREV</sub> | -30       | V     |
| Reverse Supply Current <sup>(1, 2, 5)</sup>   | I <sub>DDREV</sub> | -20       | mA    |
| Reverse Supply Current <sup>(1, 4, 5)</sup>   | I <sub>DDREV</sub> | -50       | mA    |
| Maximum Junction Temperature <sup>(6)</sup>   | T <sub>J</sub>     | +165      | °C    |
| ESD Sensitivity – HBM <sup>(7)</sup>          | -                  | 8         | kV    |
| ESD Sensitivity – System level <sup>(8)</sup> | -                  | 15        | kV    |
| ESD Sensitivity – CDM <sup>(9)</sup>          | -                  | 1000      | V     |
| Magnetic Flux Density                         | B                  | Unlimited | mT    |

<sup>1</sup> The maximum junction temperature should not be exceeded

<sup>2</sup> For maximum 1 hour

<sup>3</sup> Including current through protection device

<sup>4</sup> For maximum 500ms

<sup>5</sup> Through protection device

<sup>6</sup> For 1000 hours.

<sup>7</sup> Human Model according AEC-Q100-002 standard

<sup>8</sup> Indirect discharge according VW TL82466 standard, typical value, only for option MLX92241LUA-BAA-1xx

<sup>9</sup> Charged Device Model according AEC-Q100-011 standard

## 8. General Electrical Specifications

DC Operating Parameters  $V_{DD} = 2.7V$  to  $24V$ ,  $T_J = -40^{\circ}C$  to  $165^{\circ}C$  (unless otherwise specified)

| Parameter   | Symbol       | Test Conditions   | Min | Typ <sup>(1)</sup> | Max | Units         |
|---|--------------|---|-----|--------------------|-----|---------------|
| OFF Supply Current<br>(selectable by a dedicated bit) | $I_{OFF}$    | $V_{DD} = 3.5$ to $24V$   | 2   | -                  | 5   | mA            |
|   |              |   | 5   | -                  | 6.9 |               |
| ON Supply Current                                     | $I_{ON}$     | $V_{DD} = 3.5$ to $24V$   | 12  | -                  | 17  | mA            |
| Reverse Supply current                                | $I_{DDREV}$  | $V_{DD} = -16V$   | -1  | -                  | -   | mA            |
| Safe Mode Supply Current                              | $I_{SAFE}$   |   | -   | -                  | 1   | mA            |
| Supply Current Rise/Fall Time <sup>(2)</sup>          | $t_R/t_F$    | $V_{DD} = 12V$ , $C_{LOAD}=50pF$ to GND   | 0.1 | 0.3                | 1   | $\mu s$       |
| Power-On Time <sup>(3, 4)</sup>                       | $t_{ON}$     | $V_{DD} = 5V$ , $dV_{DD}/dt > 2V/\mu s$ ,<br>activated output with $>1mT$<br>overdrive  | -   | 40                 | 70  | $\mu s$       |
| Chopping Frequency                                    | $f_{CHOP}$   |   | -   | 350                | -   | kHz           |
| Delay Time <sup>(2, 5)</sup>                          | $t_D$        | Average over 1000 successive<br>switching events @10kHz, Latch, $B_{OP}$<br>set to 5mT, triangle wave magnetic<br>field with $B > \pm 20mT$ | -   | 7.5                | -   | $\mu s$       |
| Output Jitter (p-p) <sup>(2, 6)</sup>                 | $t_{JITTER}$ | Over 1000 successive switching<br>events @10kHz, Latch, $B_{OP}$ set to<br>5mT, triangle wave magnetic field<br>with $B > \pm 20mT$         | -   | $\pm 3.5$          | -   | $\mu s$       |
| Maximum Switching Frequency <sup>(2, 7)</sup>         | $f_{SW}$     | Latch, $B_{OP}$ set to 5mT, triangle wave<br>magnetic field with $B > \pm 20mT$   | -   | 50                 | -   | kHz           |
| Under-voltage Lockout<br>Threshold                    | $V_{UVL}$    |   | -   | -                  | 2.7 | V             |
| Under-voltage Lockout Reaction<br>time <sup>(2)</sup> | $t_{UVL}$    |   | -   | 1                  | -   | $\mu s$       |
| Integrated bypass capacitor                           | $C_{BP}$     | Only for option MLX92241LUA-<br>BAA-1xx   | -   | 68                 | -   | nF            |
| Thermal Protection Activation                         | $T_{PROT}$   | Junction Temperature  | -   | 190 <sup>(8)</sup> | -   | $^{\circ}C$   |
| Thermal Protection Release                            | $T_{REL}$    | Junction Temperature  | -   | 180 <sup>(8)</sup> | -   | $^{\circ}C$   |
| UA Package Thermal Resistance                         | $R_{THJA}$   | Single layer PCB, JEDEC standard<br>test boards   | -   | 200                | -   | $^{\circ}C/W$ |
| SE Package Thermal Resistance                         | $R_{THJA}$   | Single layer PCB, JEDEC standard<br>test boards   | -   | 300                | -   | $^{\circ}C/W$ |

1 Typical values are defined at  $T_A=25^{\circ}C$  and  $V_{DD}=12V$

2 Guaranteed by design and verified by characterization, not production tested

3 The Power-On Time represents the time from reaching  $V_{DD}=2.7V$  to the first refresh of the supply current state

4 Power-On Slew Rate is not critical for the proper device start-up

5 The Delay Time is the time from magnetic threshold reached to the start of the output switching

6 Output jitter is the unpredictable deviation of the Delay time.

7 Maximum switching frequency corresponds to the maximum frequency of the applied magnetic field which is detected without loss of pulses

8  $T_{PROT}$  and  $T_{REL}$  are the corresponding junction temperature values

## 9. Magnetic Specifications

### 9.1. MLX92241LSE-BAA-007

DC Operating Parameters  $V_{DD} = 3.5V$  to  $24V$ ,  $T_J = -40^{\circ}C$  to  $165^{\circ}C$

| Test Condition       | Operating Point<br>$B_{OP}$ (mT) |                    |      | Release Point<br>$B_{RP}$ (mT) |                    |      | TC<br>(ppm/ $^{\circ}C$ ) | Ioff<br>(mA) | Output Behavior<br>Active Pole                  | Package Information |
|----------------------|----------------------------------|--------------------|------|--------------------------------|--------------------|------|---------------------------|--------------|---|---------------------|
|                      | Min                              | Typ <sup>(1)</sup> | Max  | Min                            | Typ <sup>(1)</sup> | Max  |                           |              |   |                     |
| $T_J = -40^{\circ}C$ | 13.4                             | 16                 | 19   | 12.4                           | 15                 | 18.1 | -1100 <sup>(2)</sup>      | 3.3          | Z-axis sensitive<br>South pole<br>Direct Switch | SE (TSOT-3L)        |
| $T_J = 25^{\circ}C$  | 13.2                             | 15                 | 16.8 | 12.2                           | 14                 | 15.8 |                           |              |   |                     |
| $T_J = 150^{\circ}C$ | 10.1                             | 13                 | 16.1 | 9                              | 12                 | 15.1 |                           |              |   |                     |

### 9.2. MLX92241LSE-BAA-019

DC Operating Parameters  $V_{DD} = 3.5V$  to  $24V$ ,  $T_J = -40^{\circ}C$  to  $165^{\circ}C$

| Test Condition       | Operating Point<br>$B_{OP}$ (mT) |                    |      | Release Point<br>$B_{RP}$ (mT) |                    |      | TC<br>(ppm/ $^{\circ}C$ ) | Ioff<br>(mA) | Output Behavior<br>Active Pole                    | Package Information |
|----------------------|----------------------------------|--------------------|------|--------------------------------|--------------------|------|---------------------------|--------------|---|---------------------|
|                      | Min                              | Typ <sup>(1)</sup> | Max  | Min                            | Typ <sup>(1)</sup> | Max  |                           |              |   |                     |
| $T_J = -40^{\circ}C$ | 6                                | 9.2                | 12   | 5                              | 7.2                | 10.5 | 0 <sup>(2)</sup>          | 3.3          | Z-axis sensitive<br>South pole<br>Inverted Switch | SE (TSOT-3L)        |
| $T_J = 25^{\circ}C$  | 6                                | 9.2                | 12   | 5                              | 7.2                | 10.5 |                           |              |   |                     |
| $T_J = 150^{\circ}C$ | 5.7                              | 9.2                | 12.5 | 4.6                            | 7.2                | 11   |                           |              |   |                     |

### 9.3. MLX92241LSE-BAA-021

DC Operating Parameters  $V_{DD} = 3.5V$  to  $24V$ ,  $T_J = -40^{\circ}C$  to  $165^{\circ}C$

| Test Condition       | Operating Point<br>$B_{OP}$ (mT) |                    |      | Release Point<br>$B_{RP}$ (mT) |                    |      | TC<br>(ppm/ $^{\circ}C$ ) | Ioff<br>(mA) | Output Behavior<br>Active Pole                    | Package Information |
|----------------------|----------------------------------|--------------------|------|--------------------------------|--------------------|------|---------------------------|--------------|---|---------------------|
|                      | Min                              | Typ <sup>(1)</sup> | Max  | Min                            | Typ <sup>(1)</sup> | Max  |                           |              |   |                     |
| $T_J = -40^{\circ}C$ | 6                                | 9.2                | 12   | 5                              | 7.2                | 10.5 | 0 <sup>(2)</sup>          | 6            | Z-axis sensitive<br>South pole<br>Inverted Switch | SE (TSOT-3L)        |
| $T_J = 25^{\circ}C$  | 6                                | 9.2                | 12   | 5                              | 7.2                | 10.5 |                           |              |   |                     |
| $T_J = 150^{\circ}C$ | 5.7                              | 9.2                | 12.5 | 4.6                            | 7.2                | 11   |                           |              |   |                     |

<sup>1</sup> Typical values are defined at  $T_A = +25^{\circ}C$  and  $V_{DD} = 12V$

<sup>2</sup> Temperature coefficient is calculated using the following formula:

$$\frac{B_{OPT2} - B_{OPT1}}{B_{OP25^{\circ}C}} \times (T_2 - T_1) \times 10^6, \text{ ppm}/^{\circ}C; T_1 = 25^{\circ}C; T_2 = 150^{\circ}C$$

### 9.4. MLX92241LSE-BAA-023

DC Operating Parameters  $V_{DD} = 3.5V$  to  $24V$ ,  $T_J = -40^{\circ}C$  to  $165^{\circ}C$

| Test Condition       | Operating Point $B_{OP}$ (mT) |                    |      | Release Point $B_{RP}$ (mT) |                    |      | TC (ppm/ $^{\circ}C$ ) | $I_{off}$ (mA) | Output Behavior Active Pole                     | Package Information |
|----------------------|-------------------------------|--------------------|------|-----------------------------|--------------------|------|------------------------|----------------|---|---------------------|
|                      | Min                           | Typ <sup>(1)</sup> | Max  | Min                         | Typ <sup>(1)</sup> | Max  |                        |                |   |                     |
| $T_J = -40^{\circ}C$ | -10.9                         | -8.5               | -5.9 | -7.9                        | -5.5               | -3.5 | -1100 <sup>(2)</sup>   | 6              | Z-axis sensitive<br>North pole<br>Direct Switch | SE (TSOT-3L)        |
| $T_J = 25^{\circ}C$  | -9.5                          | -7.9               | -6.1 | -7                          | -5.3               | -3.9 |                        |                |   |                     |
| $T_J = 150^{\circ}C$ | -9.6                          | -6.8               | -3.8 | -8.2                        | -5                 | -2.7 |                        |                |   |                     |

### 9.5. MLX92241LSE-BAA-024

DC Operating Parameters  $V_{DD} = 3.5V$  to  $24V$ ,  $T_J = -40^{\circ}C$  to  $165^{\circ}C$

| Test Condition       | Operating Point $B_{OP}$ (mT) |                    |      | Release Point $B_{RP}$ (mT) |                    |      | TC (ppm/ $^{\circ}C$ ) | $I_{off}$ (mA) | Output Behavior Active Pole                       | Package Information |
|----------------------|-------------------------------|--------------------|------|-----------------------------|--------------------|------|------------------------|----------------|---|---------------------|
|                      | Min                           | Typ <sup>(1)</sup> | Max  | Min                         | Typ <sup>(1)</sup> | Max  |                        |                |   |                     |
| $T_J = -40^{\circ}C$ | 6.5                           | 8.7                | 11   | 5.2                         | 7.3                | 9.8  | 0 <sup>(2)</sup>       | 6              | Z-axis sensitive<br>South pole<br>Inverted Switch | SE (TSOT-3L)        |
| $T_J = 25^{\circ}C$  | 6.5                           | 8.7                | 11   | 5.2                         | 7.3                | 9.8  |                        |                |   |                     |
| $T_J = 85^{\circ}C$  | 6.5                           | 8.7                | 11   | 5.2                         | 7.3                | 9.8  |                        |                |   |                     |
| $T_J = 150^{\circ}C$ | 6.2                           | 8.7                | 11.5 | 4.8                         | 7.3                | 10.3 |                        |                |   |                     |

### 9.6. MLX92241LSE-BAA-025

DC Operating Parameters  $V_{DD} = 3.5V$  to  $24V$ ,  $T_J = -40^{\circ}C$  to  $165^{\circ}C$

| Test Condition       | Operating Point $B_{OP}$ (mT) <sup>(3)</sup> |                    |     | Release Point $B_{RP}$ (mT) <sup>(3)</sup> |                    |      | TC (ppm/ $^{\circ}C$ ) | $I_{off}$ (mA) | Output Behavior Active Pole                     | Package Information |
|----------------------|--|--------------------|-----|--|--------------------|------|------------------------|----------------|---|---------------------|
|                      | Min  | Typ <sup>(1)</sup> | Max | Min  | Typ <sup>(1)</sup> | Max  |                        |                |   |                     |
| $T_J = -40^{\circ}C$ | -9   | -6.4               | -4  | -6.5                                       | -4.3               | -2   | -1100 <sup>(2)</sup>   | 6              | Z-axis sensitive<br>North pole<br>Direct Switch | SE (TSOT-3L)        |
| $T_J = 25^{\circ}C$  | -8   | -6                 | -4  | -6   | -4                 | -2   |                        |                |   |                     |
| $T_J = 150^{\circ}C$ | -7.5   | -5.2               | -3  | -5.6                                       | -3.5               | -1.5 |                        |                |   |                     |

<sup>1</sup> Typical values are defined at  $T_A = +25^{\circ}C$  and  $V_{DD} = 12V$

<sup>2</sup> Temperature coefficient is calculated using the following formula:

$$\frac{B_{OPT2} - B_{OPT1}}{B_{OP25^{\circ}C}} * 10^6, ppm/^{\circ}C; T_1 = 25^{\circ}C; T_2 = 150^{\circ}C$$

<sup>3</sup> Final magnetic parameters will be covered in the PPAP documentation set, the table below is based on theoretical calculations



### 9.7. MLX92241LSE-BAA-027

DC Operating Parameters  $V_{DD} = 3.5V$  to  $24V$ ,  $T_J = -40^{\circ}C$  to  $165^{\circ}C$

| Test Condition       | Operating Point $B_{OP}$ (mT) |                    |      | Release Point $B_{RP}$ (mT) |                    |     | TC (ppm/ $^{\circ}C$ ) | Ioff (mA) | Output Behavior Active Pole                     | Package Information |
|----------------------|-------------------------------|--------------------|------|-----------------------------|--------------------|-----|------------------------|-----------|---|---------------------|
|                      | Min                           | Typ <sup>(1)</sup> | Max  | Min                         | Typ <sup>(1)</sup> | Max |                        |           |   |                     |
| $T_J = -40^{\circ}C$ | 9                             | 11.5               | 14.5 | 2.8                         | 4.6                | 6.4 | -2000 <sup>(2)</sup>   | 3.3       | Z-axis sensitive<br>South pole<br>Direct Switch | SE (TSOT-3L)        |
| $T_J = 25^{\circ}C$  | 8                             | 10                 | 12.3 | 2.5                         | 4                  | 5.6 |                        |           |   |                     |
| $T_J = 150^{\circ}C$ | 5.5                           | 7.5                | 9.7  | 1.4                         | 3                  | 4.6 |                        |           |   |                     |

### 9.8. MLX92241LUA-BAA-101

DC Operating Parameters  $V_{DD} = 3.5V$  to  $24V$ ,  $T_J = -40^{\circ}C$  to  $165^{\circ}C$

| Test Condition       | Operating Point $B_{OP}$ (mT) <sup>(3)</sup> |                    |      | Release Point $B_{RP}$ (mT) <sup>(3)</sup> |                    |      | TC (ppm/ $^{\circ}C$ ) | Ioff (mA) | Output Behavior Active Pole                       | Package Information |
|----------------------|--|--------------------|------|--|--------------------|------|------------------------|-----------|---|---------------------|
|                      | Min  | Typ <sup>(1)</sup> | Max  | Min  | Typ <sup>(1)</sup> | Max  |                        |           |   |                     |
| $T_J = -40^{\circ}C$ | 12   | 17                 | 22.8 | 11.4                                       | 15.4               | 21.4 | 0 <sup>(2)</sup>       | 6         | Z-axis sensitive<br>South pole<br>Inverted Switch | UA (T092-3L)        |
| $T_J = 25^{\circ}C$  | 14.5   | 17                 | 19.5 | 13   | 15.4               | 17.8 |                        |           |   |                     |
| $T_J = 150^{\circ}C$ | 12   | 17                 | 22.8 | 11.4                                       | 15.4               | 21.4 |                        |           |   |                     |

### 9.9. MLX92241LUA-BAA-103

DC Operating Parameters  $V_{DD} = 3.5V$  to  $24V$ ,  $T_J = -40^{\circ}C$  to  $165^{\circ}C$

| Test Condition       | Operating Point $B_{OP}$ (mT) <sup>(3)</sup> |                    |     | Release Point $B_{RP}$ (mT) <sup>(3)</sup> |                    |     | TC (ppm/ $^{\circ}C$ ) | Ioff (mA) | Output Behavior Active Pole                       | Package Information |
|----------------------|--|--------------------|-----|--|--------------------|-----|------------------------|-----------|---|---------------------|
|                      | Min  | Typ <sup>(1)</sup> | Max | Min  | Typ <sup>(1)</sup> | Max |                        |           |   |                     |
| $T_J = -40^{\circ}C$ | 4.4  | 6.4                | 8.7 | 2.2  | 4.3                | 6.3 | -1100 <sup>(2)</sup>   | 3.3       | Z-axis sensitive<br>South pole<br>Inverted Switch | UA (T092-3L)        |
| $T_J = 25^{\circ}C$  | 4.4  | 6.0                | 7.6 | 2.3  | 4                  | 5.5 |                        |           |   |                     |
| $T_J = 150^{\circ}C$ | 3.1  | 5.2                | 7.5 | 1.6  | 3.5                | 5.6 |                        |           |   |                     |

<sup>1</sup> Typical values are defined at  $T_A = +25^{\circ}C$  and  $V_{DD} = 12V$

<sup>2</sup> Temperature coefficient is calculated using the following formula:

$$\frac{B_{OPT2} - B_{OPT1}}{B_{OP25^{\circ}C}} \times (T_2 - T_1) * 10^6, ppm / ^{\circ}C; T_1 = 25^{\circ}C; T_2 = 150^{\circ}C$$

<sup>3</sup> Final magnetic parameters will be covered in the PPAP documentation set, the table below is based on theoretical calculations

### 9.10. MLX92241LUA-BAA-106

DC Operating Parameters  $V_{DD} = 3.5V$  to  $24V$ ,  $T_J = -40^{\circ}C$  to  $165^{\circ}C$

| Test Condition       | Operating Point $B_{OP}$ (mT) <sup>(3)</sup> |                    |     | Release Point $B_{RP}$ (mT) <sup>(3)</sup> |                    |     | TC (ppm/°C)      | Ioff (mA) | Output Behavior Active Pole                     | Package Information |
|----------------------|--|--------------------|-----|--|--------------------|-----|------------------|-----------|---|---------------------|
|                      | Min  | Typ <sup>(1)</sup> | Max | Min  | Typ <sup>(1)</sup> | Max |                  |           |   |                     |
| $T_J = -40^{\circ}C$ | 2  | 4                  | 6   | 1  | 2.7                | 5.5 | 0 <sup>(2)</sup> | 6         | Z-axis sensitive<br>South pole<br>Direct Switch | UA (T092-3L)        |
| $T_J = 25^{\circ}C$  | 2  | 4                  | 6   | 1  | 2.7                | 5.5 |                  |           |   |                     |
| $T_J = 150^{\circ}C$ | 2  | 4                  | 6   | 1  | 2.7                | 5.5 |                  |           |   |                     |

### 9.11. MLX92241LUA-BAA-107

DC Operating Parameters  $V_{DD} = 3.5V$  to  $24V$ ,  $T_J = -40^{\circ}C$  to  $165^{\circ}C$

| Test Condition       | Operating Point $B_{OP}$ (mT) |                    |     | Release Point $B_{RP}$ (mT) |                    |     | TC (ppm/°C)          | Ioff (mA) | Output Behavior Active Pole                       | Package Information |
|----------------------|-------------------------------|--------------------|-----|-----------------------------|--------------------|-----|----------------------|-----------|---|---------------------|
|                      | Min                           | Typ <sup>(1)</sup> | Max | Min                         | Typ <sup>(1)</sup> | Max |                      |           |   |                     |
| $T_J = -40^{\circ}C$ | 2.7                           | 4.3                | 5.9 | 1.7                         | 3.3                | 5   | -1100 <sup>(2)</sup> | 6         | Z-axis sensitive<br>South pole<br>Inverted Switch | UA (T092-3L)        |
| $T_J = 25^{\circ}C$  | 2.8                           | 4                  | 5.2 | 1.8                         | 3                  | 4.2 |                      |           |   |                     |
| $T_J = 150^{\circ}C$ | 1.9                           | 3.5                | 5.3 | 0.8                         | 2.5                | 4.3 |                      |           |   |                     |

### 9.12. MLX92241LUA-BAA-108

DC Operating Parameters  $V_{DD} = 3.5V$  to  $24V$ ,  $T_J = -40^{\circ}C$  to  $165^{\circ}C$

| Test Condition       | Operating Point $B_{OP}$ (mT) |                    |      | Release Point $B_{RP}$ (mT) |                    |     | TC (ppm/°C)          | Ioff (mA) | Output Behavior Active Pole                     | Package Information |
|----------------------|-------------------------------|--------------------|------|-----------------------------|--------------------|-----|----------------------|-----------|---|---------------------|
|                      | Min                           | Typ <sup>(1)</sup> | Max  | Min                         | Typ <sup>(1)</sup> | Max |                      |           |   |                     |
| $T_J = -40^{\circ}C$ | 5.8                           | 8.5                | 10.9 | 3.5                         | 5.6                | 8   | -1100 <sup>(2)</sup> | 3.3       | Z-axis sensitive<br>South pole<br>Direct Switch | UA (T092-3L)        |
| $T_J = 25^{\circ}C$  | 5.8                           | 7.9                | 9.5  | 3.6                         | 5.2                | 7   |                      |           |   |                     |
| $T_J = 150^{\circ}C$ | 3.6                           | 6.6                | 9.6  | 2.1                         | 4.4                | 8.2 |                      |           |   |                     |

### 9.13. MLX92241LUA-BAA-110

DC Operating Parameters  $V_{DD} = 3.5V$  to  $24V$ ,  $T_J = -40^{\circ}C$  to  $165^{\circ}C$

| Test Condition       | Operating Point $B_{OP}$ (mT) |                    |      | Release Point $B_{RP}$ (mT) |                    |     | TC (ppm/°C)          | Ioff (mA) | Output Behavior Active Pole                     | Package Information |
|----------------------|-------------------------------|--------------------|------|-----------------------------|--------------------|-----|----------------------|-----------|---|---------------------|
|                      | Min                           | Typ <sup>(1)</sup> | Max  | Min                         | Typ <sup>(1)</sup> | Max |                      |           |   |                     |
| $T_J = -40^{\circ}C$ | 5.9                           | 8.5                | 10.9 | 3.5                         | 5.5                | 7.9 | -1100 <sup>(2)</sup> | 6         | Z-axis sensitive<br>South pole<br>Direct Switch | UA (T092-3L)        |
| $T_J = 25^{\circ}C$  | 6.1                           | 7.9                | 9.5  | 3.9                         | 5.3                | 7   |                      |           |   |                     |
| $T_J = 150^{\circ}C$ | 3.8                           | 6.8                | 9.6  | 2.7                         | 5                  | 8.2 |                      |           |   |                     |

1 Typical values are defined at  $T_A = +25^{\circ}C$  and  $V_{DD} = 12V$

2 Temperature coefficient is calculated using the following formula:

$$\frac{B_{OPT2} - B_{OPT1}}{B_{OP25^{\circ}C}} * 10^6, ppm/^{\circ}C; T_1 = 25^{\circ}C; T_2 = 150^{\circ}C$$

3 Final magnetic parameters will be covered in the PPAP documentation set, the table below is based on theoretical calculations

### 9.14. MLX92241LUA-BAA-111

DC Operating Parameters  $V_{DD} = 6V$  to  $10V$ ,  $T_J = -40^{\circ}C$  to  $165^{\circ}C$

| Test Condition       | Operating Point $B_{OP}$ (mT) |                    |     | Release Point $B_{RP}$ (mT) |                    |     | TC (ppm/ $^{\circ}C$ ) | Ioff (mA) | Output Behavior Active Pole                     | Package Information |
|----------------------|-------------------------------|--------------------|-----|-----------------------------|--------------------|-----|------------------------|-----------|---|---------------------|
|                      | Min                           | Typ <sup>(1)</sup> | Max | Min                         | Typ <sup>(1)</sup> | Max |                        |           |   |                     |
| $T_J = -40^{\circ}C$ | 2.4                           | 3.9                | 5.5 | 1.4                         | 2.7                | 4.1 | 0 <sup>(2)</sup>       | 6         | Z-axis sensitive<br>South pole<br>Direct Switch | UA (T092-3L)        |
| $T_J = 25^{\circ}C$  | 2.5                           | 3.8                | 5.1 | 1.5                         | 2.6                | 3.7 |                        |           |   |                     |
| $T_J = 150^{\circ}C$ | 2                             | 3.8                | 5.7 | 1                           | 2.6                | 4.3 |                        |           |   |                     |

### 9.15. MLX92241LUA-BAA-112

DC Operating Parameters  $V_{DD} = 6V$  to  $10V$ ,  $T_J = -40^{\circ}C$  to  $165^{\circ}C$

| Test Condition       | Operating Point $B_{OP}$ (mT) |                    |      | Release Point $B_{RP}$ (mT) |                    |      | TC (ppm/ $^{\circ}C$ ) | Ioff (mA) | Output Behavior Active Pole                       | Package Information |
|----------------------|-------------------------------|--------------------|------|-----------------------------|--------------------|------|------------------------|-----------|---|---------------------|
|                      | Min                           | Typ <sup>(1)</sup> | Max  | Min                         | Typ <sup>(1)</sup> | Max  |                        |           |   |                     |
| $T_J = -40^{\circ}C$ | -5.5                          | -3.9               | -2.4 | -4.1                        | -2.7               | -1.4 | 0 <sup>(2)</sup>       | 6         | Z-axis sensitive<br>North pole<br>Inverted Switch | UA (T092-3L)        |
| $T_J = 25^{\circ}C$  | -5.1                          | -3.8               | -2.5 | -3.7                        | -2.6               | -1.5 |                        |           |   |                     |
| $T_J = 150^{\circ}C$ | -5.7                          | -3.8               | -2   | -4.3                        | -2.6               | -1   |                        |           |   |                     |

### 9.16. MLX92241LUA-BAA-113

DC Operating Parameters  $V_{DD} = 3.5V$  to  $24V$ ,  $T_J = -40^{\circ}C$  to  $165^{\circ}C$

| Test Condition       | Operating Point $B_{OP}$ (mT) |                    |      | Release Point $B_{RP}$ (mT) |                    |     | TC (ppm/ $^{\circ}C$ ) | Ioff (mA) | Output Behavior Active Pole                       | Package Information |
|----------------------|-------------------------------|--------------------|------|-----------------------------|--------------------|-----|------------------------|-----------|---|---------------------|
|                      | Min                           | Typ <sup>(1)</sup> | Max  | Min                         | Typ <sup>(1)</sup> | Max |                        |           |   |                     |
| $T_J = -40^{\circ}C$ | 5.9                           | 8.5                | 10.9 | 3.5                         | 5.5                | 7.9 | -1100 <sup>(2)</sup>   | 3.3       | Z-axis sensitive<br>South pole<br>Inverted Switch | UA (T092-3L)        |
| $T_J = 25^{\circ}C$  | 6.1                           | 7.9                | 9.5  | 3.9                         | 5.3                | 7   |                        |           |   |                     |
| $T_J = 150^{\circ}C$ | 3.8                           | 6.8                | 9.6  | 2.7                         | 5                  | 8.2 |                        |           |   |                     |

1 Typical values are defined at  $T_A = +25^{\circ}C$  and  $V_{DD} = 12V$

2 Temperature coefficient is calculated using the following formula:

$$\frac{B_{OPT2} - B_{OPT1}}{B_{OP25^{\circ}C}} * 10^6, ppm / ^{\circ}C; T_1 = 25^{\circ}C; T_2 = 150^{\circ}C$$

### 9.17. MLX92241LUA-BAA-114

DC Operating Parameters  $V_{DD} = 3.5V$  to  $24V$ ,  $T_J = -40^{\circ}C$  to  $165^{\circ}C$

| Test Condition       | Operating Point<br>$B_{OP}$ (mT) |                    |      | Release Point<br>$B_{RP}$ (mT) |                    |     | TC<br>(ppm/ $^{\circ}C$ ) | Ioff<br>(mA) | Output Behavior<br>Active Pole                    | Package Information |
|----------------------|----------------------------------|--------------------|------|--------------------------------|--------------------|-----|---------------------------|--------------|---|---------------------|
|                      | Min                              | Typ <sup>(1)</sup> | Max  | Min                            | Typ <sup>(1)</sup> | Max |                           |              |   |                     |
| $T_J = -40^{\circ}C$ | 5.9                              | 8.5                | 10.9 | 3.5                            | 5.5                | 7.9 | -1100 <sup>(2)</sup>      | 6            | Z-axis sensitive<br>South pole<br>Inverted Switch | UA (T092-3L)        |
| $T_J = 25^{\circ}C$  | 6.1                              | 7.9                | 9.5  | 3.9                            | 5.3                | 7   |                           |              |   |                     |
| $T_J = 150^{\circ}C$ | 3.8                              | 6.8                | 9.6  | 2.7                            | 5                  | 8.2 |                           |              |   |                     |

### 9.18. MLX92241LSE-BAA-032

DC Operating Parameters  $V_{DD} = 3.5V$  to  $24V$ ,  $T_J = -40^{\circ}C$  to  $165^{\circ}C$

| Test Condition       | Operating Point<br>$B_{OP}$ (mT) <sup>(3)</sup> |                    |     | Release Point<br>$B_{RP}$ (mT) <sup>(3)</sup> |                    |     | TC<br>(ppm/ $^{\circ}C$ ) | Ioff<br>(mA) | Output Behavior<br>Active Pole                  | Package Information |
|----------------------|---|--------------------|-----|---|--------------------|-----|---------------------------|--------------|---|---------------------|
|                      | Min   | Typ <sup>(1)</sup> | Max | Min   | Typ <sup>(1)</sup> | Max |                           |              |   |                     |
| $T_J = -40^{\circ}C$ | 3.6   | 6                  | 8.4 | 1.5   | 3.6                | 6.1 | -1100 <sup>(2)</sup>      | 3.3          | Z-axis sensitive<br>South pole<br>Direct Switch | SE (TSOT-3L)        |
| $T_J = 25^{\circ}C$  | 3.9   | 5.6                | 7.1 | 2   | 3.6                | 5.3 |                           |              |   |                     |
| $T_J = 150^{\circ}C$ | 2   | 4.8                | 7.1 | 1.3   | 3.5                | 6.7 |                           |              |   |                     |

### 9.19. MLX92241LUA-BAA-033

DC Operating Parameters  $V_{DD} = 3.5V$  to  $24V$ ,  $T_J = -40^{\circ}C$  to  $165^{\circ}C$

| Test Condition       | Operating Point<br>$B_{OP}$ (mT) <sup>(3)</sup> |                    |      | Release Point<br>$B_{RP}$ (mT) <sup>(3)</sup> |                    |      | TC<br>(ppm/ $^{\circ}C$ ) | Ioff<br>(mA) | Output Behavior<br>Active Pole                  | Package Information |
|----------------------|---|--------------------|------|---|--------------------|------|---------------------------|--------------|---|---------------------|
|                      | Min   | Typ <sup>(1)</sup> | Max  | Min   | Typ <sup>(1)</sup> | Max  |                           |              |   |                     |
| $T_J = -40^{\circ}C$ | 17.5  | 21.4               | 25.9 | 15.4  | 19.4               | 24   | -1100 <sup>(2)</sup>      | 6            | Z-axis sensitive<br>South pole<br>Direct Switch | UA (T092-3L)        |
| $T_J = 25^{\circ}C$  | 17.1  | 20                 | 23.1 | 15  | 18                 | 21.2 |                           |              |   |                     |
| $T_J = 150^{\circ}C$ | 13.8  | 17.3               | 21.1 | 11.7  | 15.3               | 19.2 |                           |              |   |                     |

### 9.20. MLX92241LSE-BAA-034

DC Operating Parameters  $V_{DD} = 3.5V$  to  $24V$ ,  $T_J = -40^{\circ}C$  to  $165^{\circ}C$

| Test Condition       | Operating Point<br>$B_{OP}$ (mT) <sup>(3)</sup> |                    |     | Release Point<br>$B_{RP}$ (mT) <sup>(3)</sup> |                    |     | TC<br>(ppm/ $^{\circ}C$ ) | Ioff<br>(mA) | Output Behavior<br>Active Pole                    | Package Information |
|----------------------|---|--------------------|-----|---|--------------------|-----|---------------------------|--------------|---|---------------------|
|                      | Min   | Typ <sup>(1)</sup> | Max | Min   | Typ <sup>(1)</sup> | Max |                           |              |   |                     |
| $T_J = -40^{\circ}C$ | 3.6   | 6                  | 8.4 | 1.5   | 3.9                | 6.1 | -1100 <sup>(2)</sup>      | 6            | Z-axis sensitive<br>South pole<br>Inverted Switch | SE (TSOT-3L)        |
| $T_J = 25^{\circ}C$  | 3.9   | 5.5                | 7.1 | 2   | 3.5                | 5.3 |                           |              |   |                     |
| $T_J = 150^{\circ}C$ | 2   | 4.8                | 7.1 | 1.3   | 3                  | 6.7 |                           |              |   |                     |

<sup>1</sup> Typical values are defined at  $T_A = +25^{\circ}C$  and  $V_{DD} = 12V$

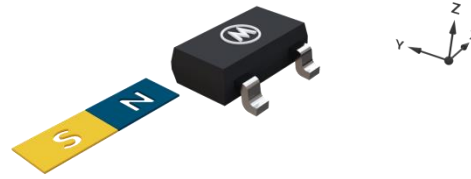
<sup>2</sup> Temperature coefficient is calculated using the following formula:

$$\frac{B_{OPT2} - B_{OPT1}}{B_{OP25^{\circ}C}} \times 10^6, \text{ ppm}/^{\circ}C; T_1 = 25^{\circ}C; T_2 = 150^{\circ}C$$

<sup>3</sup> Final magnetic parameters will be covered in the PPAP documentation set, the table below is based on theoretical calculations



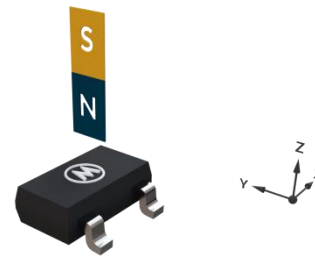
*South active pole (IMC version)*



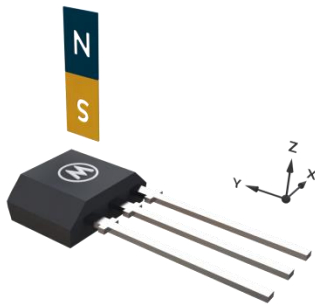
*North active pole (IMC version)*



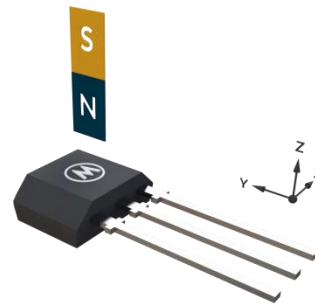
*South active pole*



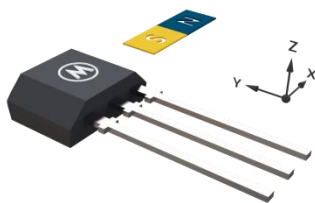
*North active pole*



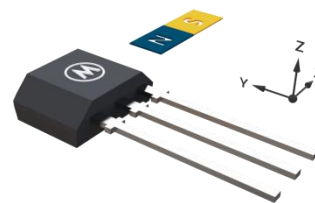
*South active pole*



*North active pole*



*South active pole (IMC version)*

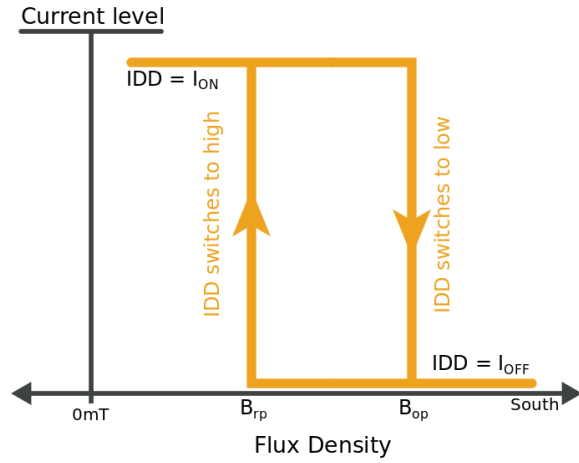


*North active pole (IMC version)*

## 10. Magnetic Behavior



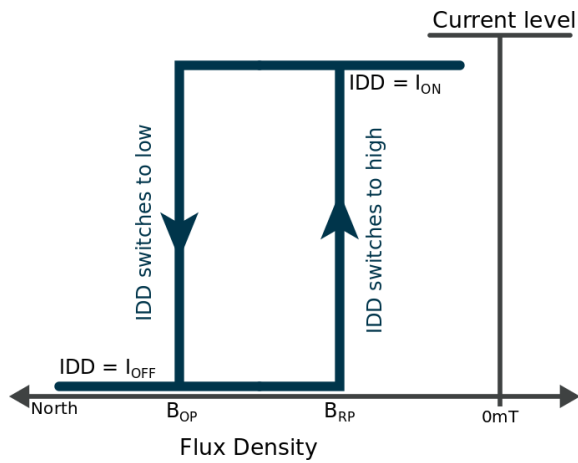
*Direct South Active Pole*



*Inverted South Active Pole*



*Direct North Active Pole*



*Inverted North Active Pole*

## 11. Application Information

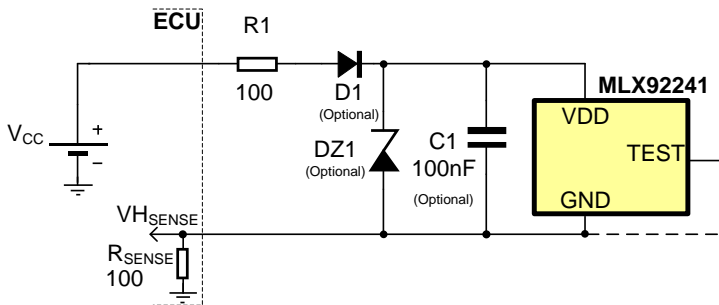
### 11.1. Typical Automotive Application Circuit



**Notes:**

1. For proper operation, a 10 to 100nF bypass capacitor should be placed as close as possible to the V<sub>DD</sub> and ground (GND) pin. For MLX92241LUA-BAA-1xx C1 is not required.
2. The TEST pin is to be connected to GND or left open.

### 11.2. Automotive and Harsh, Noisy Environments Application Circuit



**Notes:**

1. For proper operation, a 10 to 100nF bypass capacitor should be placed as close as possible to the V<sub>DD</sub> and ground (GND) pin. For MLX92241LUA-BAA-1xx C1 is not required.
2. The device can tolerate positive voltages up to +28 (+32)V and negative voltages down to -24 (-30)V. If bigger transients over the supply line are expected the usage of D1 and DZ1 (24...27V) is recommended. The series resistor R1 is used to limit the current through DZ1 and to improve the EMC performance.

### 11.3. Power Derating Curve



### 11.4. Voltage Derating Curve





## 12. Standard information regarding manufacturability of Melexis products with different soldering processes

Our products are classified and qualified regarding soldering technology, solderability and moisture sensitivity level according to following test methods:

### **Reflow Soldering SMD's (Surface Mount Devices)**

- IPC/JEDEC J-STD-020

Moisture/Reflow Sensitivity Classification for Nonhermetic Solid State Surface Mount Devices (classification reflow profiles according to table 5-2)

- EIA/JEDEC JESD22-A113

Preconditioning of Nonhermetic Surface Mount Devices Prior to Reliability Testing (reflow profiles according to table 2)

### **Wave Soldering SMD's (Surface Mount Devices) and THD's (Through Hole Devices)**

- EN60749-20

Resistance of plastic- encapsulated SMD's to combined effect of moisture and soldering heat

- EIA/JEDEC JESD22-B106 and EN60749-15

Resistance to soldering temperature for through-hole mounted devices

### **Iron Soldering THD's (Through Hole Devices)**

- EN60749-15

Resistance to soldering temperature for through-hole mounted devices

### **Solderability SMD's (Surface Mount Devices) and THD's (Through Hole Devices)**

- EIA/JEDEC JESD22-B102 and EN60749-21

Solderability

For all soldering technologies deviating from above mentioned standard conditions (regarding peak temperature, temperature gradient, temperature profile etc) additional classification and qualification tests have to be agreed upon with Melexis.

The application of Wave Soldering for SMD's is allowed only after consulting Melexis regarding assurance of adhesive strength between device and board.

Melexis recommends reviewing on our web site the General Guidelines [soldering recommendation](http://www.melexis.com/Quality_soldering.aspx) ([http://www.melexis.com/Quality\\_soldering.aspx](http://www.melexis.com/Quality_soldering.aspx)) as well as [trim&form recommendations](http://www.melexis.com/Assets/Trim-and-form-recommendations-5565.aspx) (<http://www.melexis.com/Assets/Trim-and-form-recommendations-5565.aspx>).

Melexis is contributing to global environmental conservation by promoting **lead free** solutions. For more information on qualifications of **RoHS** compliant products (RoHS = European directive on the Restriction Of the use of certain Hazardous Substances) please visit the quality page on our website: <http://www.melexis.com/quality.aspx>

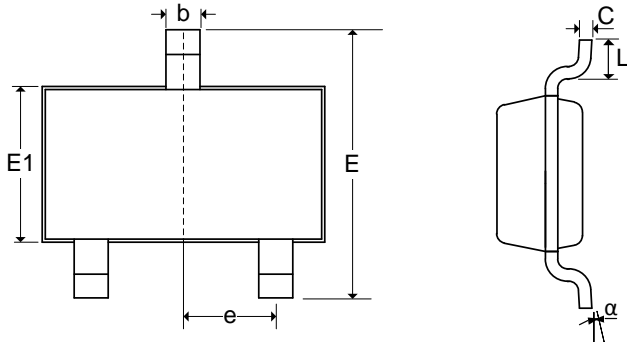
## 13. ESD Precautions

Electronic semiconductor products are sensitive to Electro Static Discharge (ESD).

Always observe Electro Static Discharge control procedures whenever handling semiconductor products.

## 14. Package Information

### 14.1. SE (TSOT-3L) Package Information



**Notes:**

1. All dimensions are in millimeters
2. Outermost plastic extreme width does not include mold flash or protrusions. Mold flash and protrusions shall not exceed 0.15mm per side.
3. Outermost plastic extreme length does not include mold flash or protrusions. Mold flash and protrusions shall not exceed 0.25mm per side.
4. The lead width dimension does not include dambar protrusion. Allowable dambar protrusion shall be 0.07mm total in excess of the lead width dimension at maximum material condition.
5. Dimension is the length of terminal for soldering to a substrate.
6. Formed lead shall be planar with respect to one another with 0.076mm at seating plane.

**Marking:**

**TOP:**

42WW

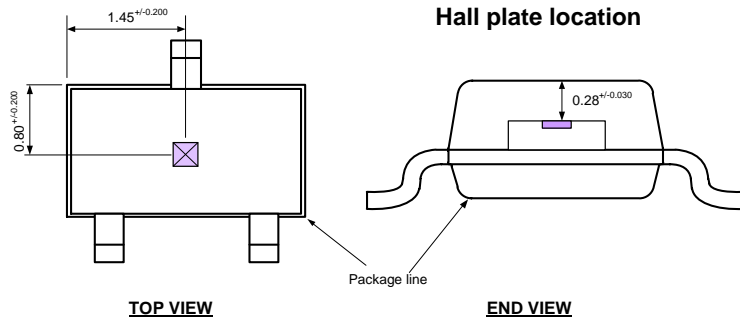
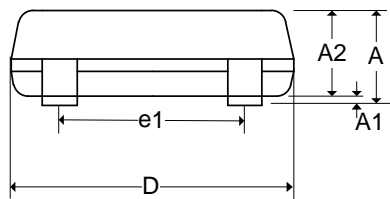
WW: Assembly week

**BOTTOM:**

YLLL

Y: Assembly Year

LLL: Last 3 digits from lot#



**Notes:**

1. All dimensions are in millimeters
2. XY Hall plate position tolerances do not include the mold flashes and protrusions described in the package drawing

|     | A    | A1    | A2   | D    | E    | E1   | L    | b    | c    | e    | e1   | α  |
|-----|------|-------|------|------|------|------|------|------|------|------|------|----|
| min | –    | 0.025 | 0.85 | 2.80 | 2.60 | 1.50 | 0.30 | 0.30 | 0.10 | 0.95 | 1.90 | 0° |
| max | 1.00 | 0.10  | 0.90 | 3.00 | 3.00 | 1.70 | 0.50 | 0.45 | 0.20 | BSC  | BSC  | 8° |

**Notes:**

1. Dimension “D” and “E1” do not include mold flash or protrusions. Mold flash or protrusion shall not exceed 0.15mm on “D” and 0.25mm on “E” per side.
2. Dimension “b” does not include dambar protrusion.

| SE Pin № | Name | Type   | Function             |
|----------|------|--------|----------------------|
| 1        | VDD  | Supply | Supply Voltage pin   |
| 2        | TEST | I/O    | For Melexis use only |
| 3        | GND  | Ground | Ground pin           |

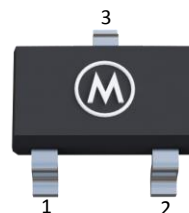
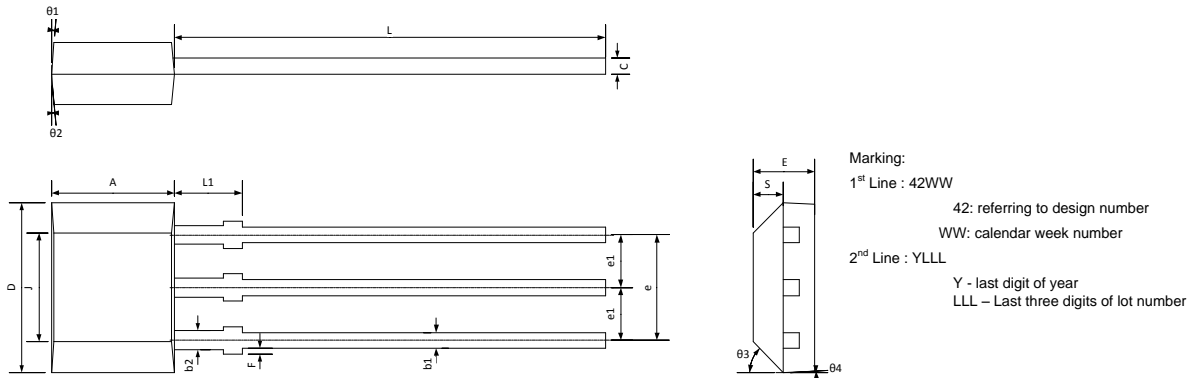
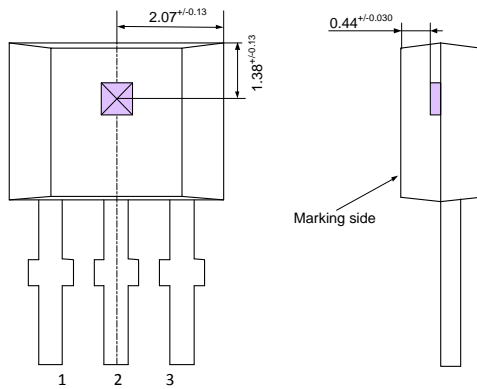


Table 4: SE Package pinout

### 14.2. UA (TO92 - 3L) Package Information



#### Hall plate location



|     | A      | D      | E      | F      | J    | L    | L1   | S    | b1   | b2   | c    | e    | e1   |
|-----|--------|--------|--------|--------|------|------|------|------|------|------|------|------|------|
| min | 2.80   | 3.90   | 1.40   | 0.00   | 2.51 | 14.0 | 0.90 | 0.63 | 0.35 | 0.43 | 0.35 | 2.51 | 1.24 |
| max | 3.20   | 4.30   | 1.60   | 0.15   | 2.72 | 15.0 | 1.10 | 0.84 | 0.44 | 0.52 | 0.44 | 2.57 | 1.30 |
|     | theta1 | theta2 | theta3 | theta4 |      |      |      |      |      |      |      |      |      |
| min | 7°     | 7°     | 45°    | 7°     |      |      |      |      |      |      |      |      |      |
| max | REF    | REF    | REF    | REF    |      |      |      |      |      |      |      |      |      |

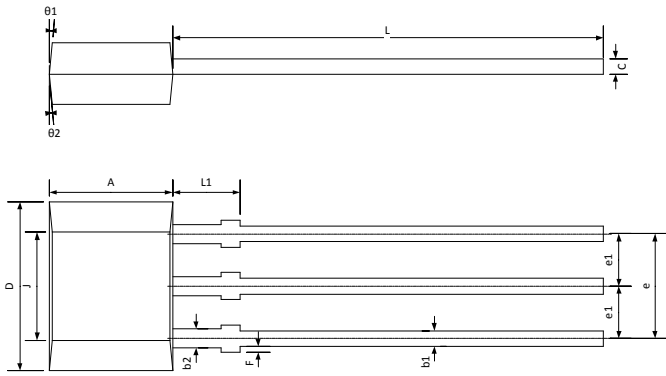
Notes:

1. All dimensions are in millimeters.
2. Mold flashes and protrusion are not included.
3. Gate burrs shall not exceed 0.127mm on the top side.

| Pin № | Name | Type   | Function             |
|-------|------|--------|----------------------|
| 1     | VDD  | Supply | Supply Voltage pin   |
| 2     | GND  | Ground | Ground pin           |
| 3     | TEST | I/O    | For Melexis use only |

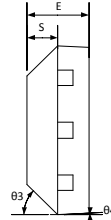


### 14.3. UA (TO92 - 3L) with integrated capacitor Package Information



**Notes:**

1. All dimensions are in millimeters
2. Package dimension exclusive molding flash.
3. The end flash shall not exceed 0.127 mm on the top side.



**Marking:**

Top:

1<sup>st</sup> Line :

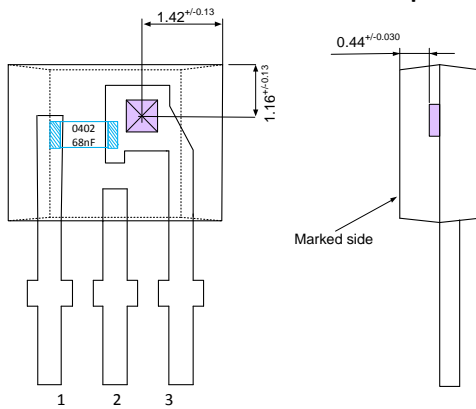
Option -1xx: C1WW, WW - calendar week

Option -3xx: C4WW, WW - calendar week

2<sup>nd</sup> Line : YLLL: → Y - last digit of year

LLL- Lot number (last 3 digits)

#### Hall plate location



**Notes:**

1. All dimensions are in millimeters

|     |               |               |               |               |          |          |           |          |           |           |          |          |           |
|-----|---------------|---------------|---------------|---------------|----------|----------|-----------|----------|-----------|-----------|----------|----------|-----------|
|     | <b>A</b>      | <b>D</b>      | <b>E</b>      | <b>F</b>      | <b>J</b> | <b>L</b> | <b>L1</b> | <b>S</b> | <b>b1</b> | <b>b2</b> | <b>c</b> | <b>e</b> | <b>e1</b> |
| min | 2.80          | 3.90          | 1.40          | 0.00          | 2.51     | 14.0     | 0.90      | 0.63     | 0.35      | 0.43      | 0.35     | 2.51     | 1.24      |
| max | 3.20          | 4.30          | 1.60          | 0.15          | 2.72     | 15.0     | 1.10      | 0.84     | 0.44      | 0.52      | 0.44     | 2.57     | 1.30      |
|     | <b>theta1</b> | <b>theta2</b> | <b>theta3</b> | <b>theta4</b> |          |          |           |          |           |           |          |          |           |
| min | 7°            | 7°            | 45°           | 7°            |          |          |           |          |           |           |          |          |           |
| max | REF           | REF           | REF           | REF           |          |          |           |          |           |           |          |          |           |

**Notes:**

1. All dimensions are in millimeters.
2. Mold flashes and protrusion are not included.
3. Gate burrs shall not exceed 0.127mm on the top side.

| Pin No | Name | Type   | Function             |
|--------|------|--------|----------------------|
| 1      | VDD  | Supply | Supply Voltage pin   |
| 2      | TEST | I/O    | For Melexis use only |
| 3      | GND  | Ground | Ground pin           |



## 15. Contact

For the latest version of this document, go to our website at [www.melexis.com](http://www.melexis.com).

For additional information, please contact our Direct Sales team and get help for your specific needs:

|                |                                  |
|----------------|----------------------------------|
| Europe, Africa | Telephone: +32 13 67 04 95       |
|                | Email : sales_europe@melexis.com |
| Americas       | Telephone: +1 603 223 2362       |
|                | Email : sales_usa@melexis.com    |
| Asia           | Email : sales_asia@melexis.com   |

## 16. Disclaimer

*The information furnished by Melexis herein ("Information") is believed to be correct and accurate. Melexis disclaims (i) any and all liability in connection with or arising out of the furnishing, performance or use of the technical data or use of the product(s) as described herein ("Product") (ii) any and all liability, including without limitation, special, consequential or incidental damages, and (iii) any and all warranties, express, statutory, implied, or by description, including warranties of fitness for particular purpose, non-infringement and merchantability. No obligation or liability shall arise or flow out of Melexis' rendering of technical or other services.*

*The Information is provided "as is" and Melexis reserves the right to change the Information at any time and without notice. Therefore, before placing orders and/or prior to designing the Product into a system, users or any third party should obtain the latest version of the relevant information to verify that the information being relied upon is current. Users or any third party must further determine the suitability of the Product for its application, including the level of reliability required and determine whether it is fit for a particular purpose.*

*The Information is proprietary and/or confidential information of Melexis and the use thereof or anything described by the Information does not grant, explicitly or implicitly, to any party any patent rights, licenses, or any other intellectual property rights.*

*This document as well as the Product(s) may be subject to export control regulations. Please be aware that export might require a prior authorization from competent authorities.*

*The Product(s) are intended for use in normal commercial applications. Unless otherwise agreed upon in writing, the Product(s) are not designed, authorized or warranted to be suitable in applications requiring extended temperature range and/or unusual environmental requirements. High reliability applications, such as medical life-support or life-sustaining equipment are specifically not recommended by Melexis.*

*The Product(s) may not be used for the following applications subject to export control regulations: the development, production, processing, operation, maintenance, storage, recognition or proliferation of 1) chemical, biological or nuclear weapons, or for the development, production, maintenance or storage of missiles for such weapons; 2) civil firearms, including spare parts or ammunition for such arms; 3) defense related products, or other material for military use or for law enforcement; 4) any applications that, alone or in combination with other goods, substances or organisms could cause serious harm to persons or goods and that can be used as a means of violence in an armed conflict or any similar violent situation.*

*The Products sold by Melexis are subject to the terms and conditions as specified in the Terms of Sale, which can be found at <https://www.melexis.com/en/legal/terms-and-conditions>.*

*This document supersedes and replaces all prior information regarding the Product(s) and/or previous versions of this document.*

*Melexis NV © - No part of this document may be reproduced without the prior written consent of Melexis. (2016)*

*ISO/TS 16949 and ISO14001 Certified*



Компания «ЭлектроПласт» предлагает заключение долгосрочных отношений при поставках импортных электронных компонентов на взаимовыгодных условиях!

Наши преимущества:

- Оперативные поставки широкого спектра электронных компонентов отечественного и импортного производства напрямую от производителей и с крупнейших мировых складов;
- Поставка более 17-ти миллионов наименований электронных компонентов;
- Поставка сложных, дефицитных, либо снятых с производства позиций;
- Оперативные сроки поставки под заказ (от 5 рабочих дней);
- Экспресс доставка в любую точку России;
- Техническая поддержка проекта, помощь в подборе аналогов, поставка прототипов;
- Система менеджмента качества сертифицирована по Международному стандарту ISO 9001;
- Лицензия ФСБ на осуществление работ с использованием сведений, составляющих государственную тайну;
- Поставка специализированных компонентов (Xilinx, Altera, Analog Devices, Intersil, Interpoint, Microsemi, Aeroflex, Peregrine, Syfer, Eurofarad, Texas Instrument, Miteq, Cobham, E2V, MA-COM, Hittite, Mini-Circuits, General Dynamics и др.);

Помимо этого, одним из направлений компании «ЭлектроПласт» является направление «Источники питания». Мы предлагаем Вам помощь Конструкторского отдела:

- Подбор оптимального решения, техническое обоснование при выборе компонента;
- Подбор аналогов;
- Консультации по применению компонента;
- Поставка образцов и прототипов;
- Техническая поддержка проекта;
- Защита от снятия компонента с производства.



#### Как с нами связаться

**Телефон:** 8 (812) 309 58 32 (многоканальный)

**Факс:** 8 (812) 320-02-42

**Электронная почта:** [org@eplast1.ru](mailto:org@eplast1.ru)

**Адрес:** 198099, г. Санкт-Петербург, ул. Калинина, дом 2, корпус 4, литера А.