

DBML13W3S500MN

REFERENCE SPECIFICATIONS

-NFC 93425 (in compliance with HE 507)

PHYSICAL CHARACTERISTICS

-INSULATOR MATERIAL: THERMOPLASTIC UL94V0

-CONTACT MATERIAL: PHOSPHOR BRONZE(SIGNAL CONTACT)
GOLD OVER NICKEL

-ACCESSORIES: STEEL FOR BRACKETS
Cadmium plated, yellow passivation

-SHELLS: STEEL
Cadmium plated, yellow passivation

ELECTRICAL CHARACTERISTICS

-NOMINAL CURRENT: 7.5A (SIGNAL CONTACT)

-CONTACT RESISTANCE: <=7.3 m Ohms(SIGNAL)

-CONTACT/CONTACT : >=1000 V

ENVIRONMENTAL CHARACTERISTICS

-CONTACT/GROUND : >=1200 V

-INSULATION RESISTANCE: >=5000 MOhms

- CLIMATIC CATEGORY: 55/125/21

TEMPERATURE RANGE -55°C TO +125°C

DAMP HEAT STEADY STATE 56 DAYS

SALT SPRAY 48 HOURS

Series

Shell size: **E A B C D**
(see sheet 3)

M :Characteristics
for the DM serie

Front accessory definition
(see sheet 2)

blank :without accessory

L :threaded insert M3

O :threaded insert UNC 4-40

V :female screw UNC 4-40

Layout of contacts (see sheet 3)

Contacts

S :Socket

Termination type

5 Right angle/Europe standard

Plating

00 Right angle 500 matings/unmatings

43 Right angle 500 matings/unmatings
for harsh environment

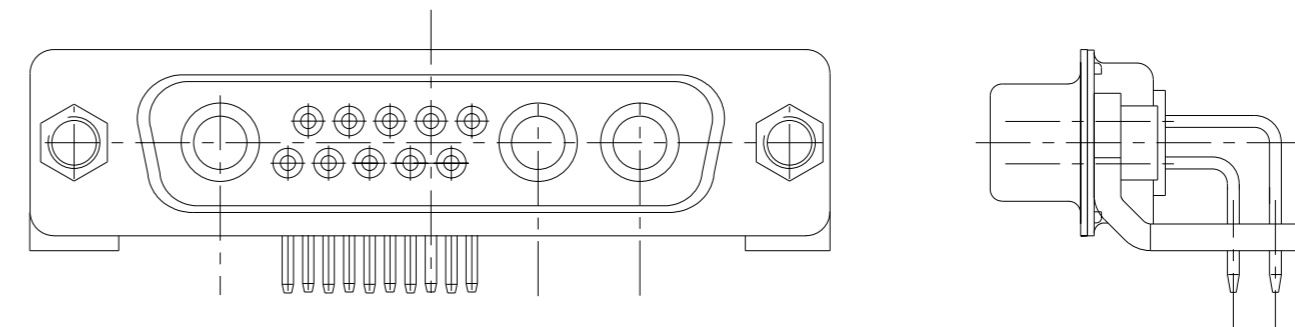
PCB accessories definition(see sheet 2)

blank :Plastic brackets

C :Without brackets

M :Metal brackets

N :Obligatory indication for HE 507



13W3 FOR EXAMPLE

rev	ecn no	dr	date
A	LS06-0174	MPE	2006/11/14
-	-	-	-
-	-	-	-
-	-	-	-
-	-	-	-
-	-	-	-

www.fciconnect.com		surface - ISO 1302	tolerance std ISO 406 ISO 1101	projection mm
		TOLERANCES UNLESS OTHERWISE SPECIFIED		
Dr	M.PESSON	2006/11/14	ANGULAR	0.X ±0.3
Eng	M.PESSON	2006/11/14	LINEAR	0.XX ±0.1
Chr	P.LEGARE	2006/11/14	0° ±2°	0.XXX ±0.05
Appr	P.LEGARE	2006/11/14	Product family	- Spec ref
		title SUB FEMALE DMW EUROPE foot print mixed power right angled solder		dwg no C01-8637-1749 Rev. A
catalog no		CUSTOMER		sheet 1 of 9

A

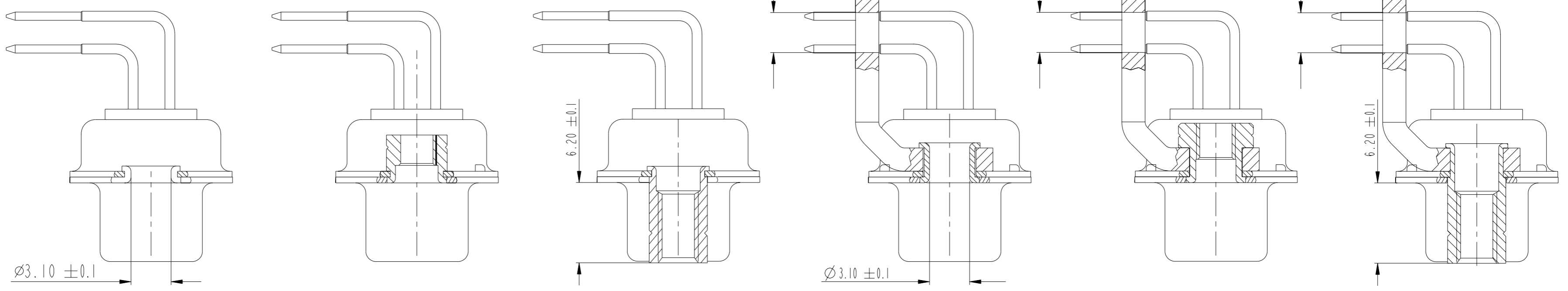
B

C

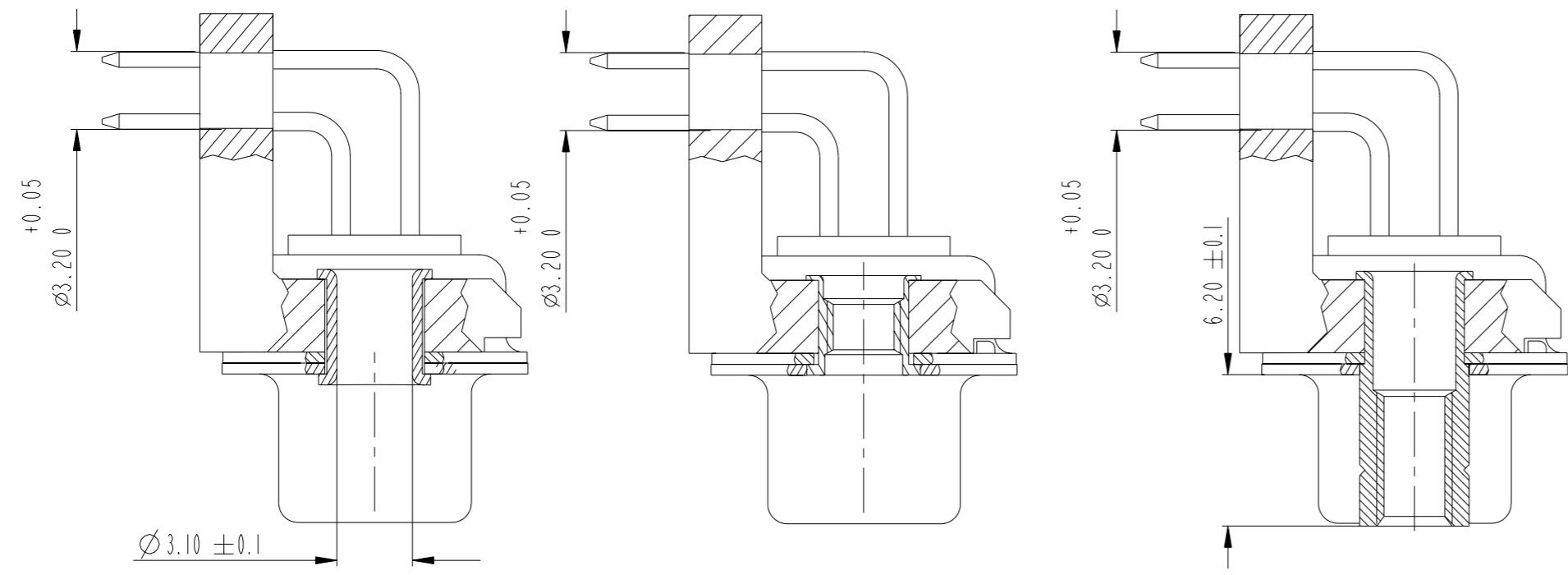
D

E

F



FRONT ACCESSORY	Blank Without	L insert M3 O insert UNC 4.40	V Female screw UNC 4.40	Blank Without	L insert M3 O insert UNC 4.40	V Female screw UNC 4.40
PCB ACCESSORIES	C Without bracket	C Without bracket	C Without bracket	M Metal bracket	M Metal bracket	M Metal bracket



FRONT ACCESSORY	Blank Without	L insert M3 O insert UNC 4.40	V Female screw UNC 4.40
PCB ACCESSORIES	Blank Plastic bracket	Blank Plastic bracket	Blank Plastic bracket

Copyright FCi. FCi

www.fciconnect.com		surface ISO 1302	tolerance std ISO 406 ISO 1101	projection mm
		TOLERANCES UNLESS OTHERWISE SPECIFIED		mm
Dr	M.PESSON	2006/11/14	ANGULAR	0.x ±0.3
Eng	M.PESSON	2006/11/14	LINEAR	0.xx ±0.1
Chr	P.LEGARE	2006/11/14	0° ±2°	0.xxx ±0.05
Appr	P.LEGARE	2006/11/14	Product family	- Spec ref
FCi title SUB FEMALE DMW EUROPE foot print mixed power right angled solder catalog no -		dwg no C01-8637-1749 Rev. A		size A2 Scale 2:1 ECN LS06-0174
			CUSTOMER	sheet 2 of 9

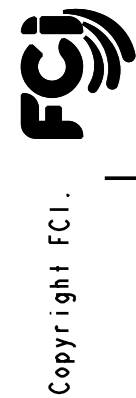
SCALE:4

shell size LAYOUTS

- * E 5W1
- A 11W1
- A 7W2
- B 21W1
- B 17W2
- B 13W3
- B 9W4
- C 25W3
- C 21WA4
- C 27W2
- D 47W1
- D 24W7
- D 36W4

PART NUMBER	MATINGS/ UNMATINGS	FRONT ACCESSORY	PCB ACCESSORIES
D*MxWxS500CN	500	without	without
D*MLxWxS500CN	500	insert M3	without
D*MOxWxS500CN	500	insert UNC 4.40	without
D*MVxWxS500CN	500	female screw UNC 4.40	without
D*MxWxS500MN	500	without	metal bracket
D*MLxWxS500MN	500	insert M3	metal bracket
D*MOxWxS500MN	500	insert UNC 4.40	metal bracket
D*MVxWxS500MN	500	female screw UNC 4.40	metal bracket
D*MxWxS500N	500	without	plastic bracket
D*MLxWxS500N	500	insert M3	plastic bracket
D*MOxWxS500N	500	insert UNC 4.40	plastic bracket
D*MVxWxS500N	500	female screw UNC 4.40	plastic bracket

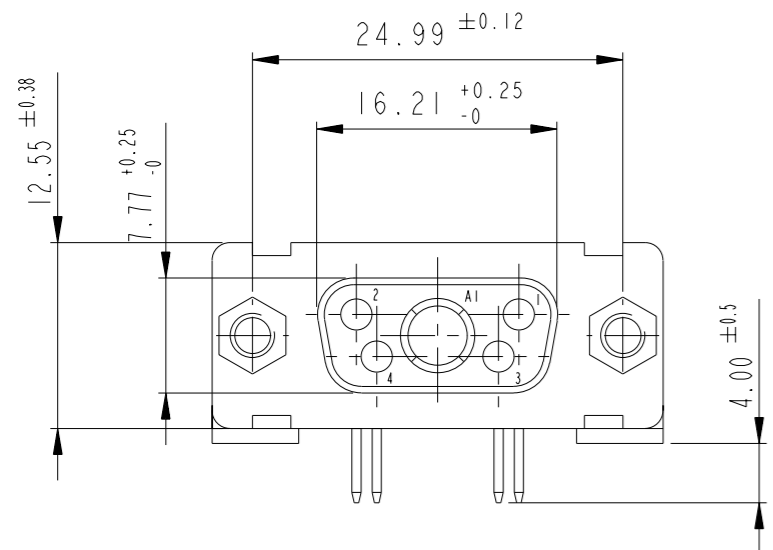
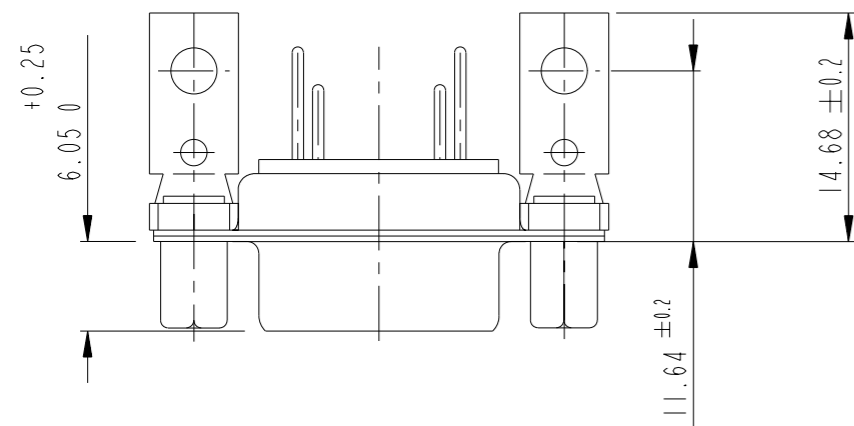
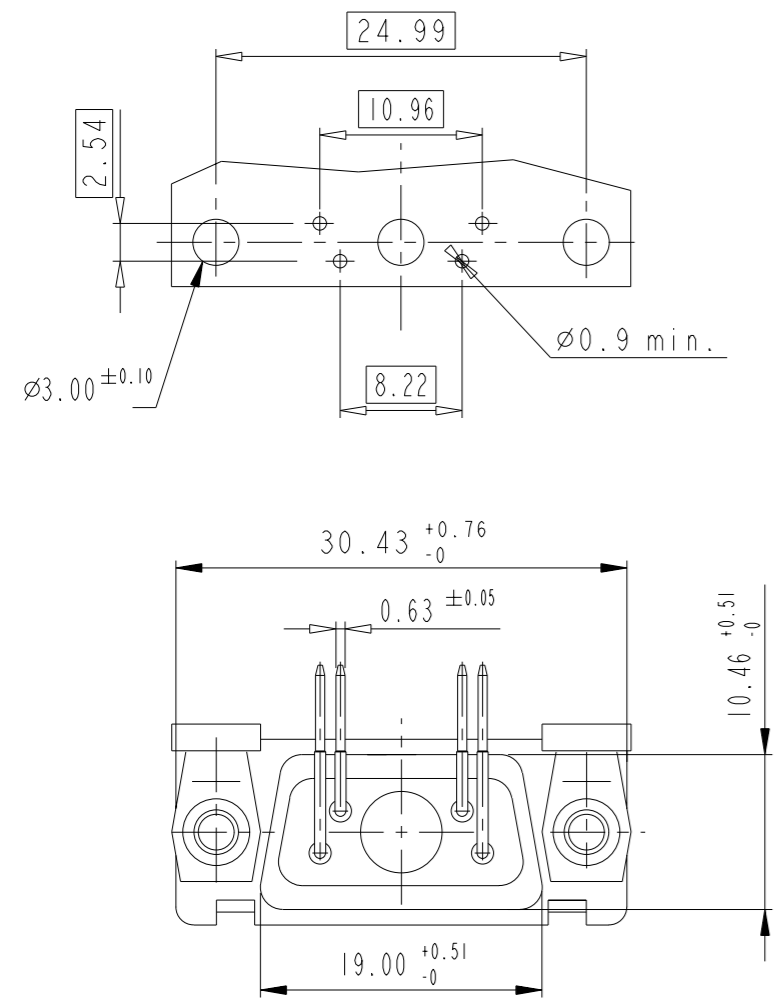
PART NUMBER	MATINGS/ UNMATINGS	FRONT ACCESSORY	PCB ACCESSORIES
D*MxWxS543CN	500	without	without
D*MLxWxS543CN	500	insert M3	without
D*MOxWxS543CN	500	insert UNC 4.40	without
D*MVxWxS543CN	500	female screw UNC 4.40	without
D*MxWxS543MN	500	without	metal bracket
D*MLxWxS543MN	500	insert M3	metal bracket
D*MOxWxS543MN	500	insert UNC 4.40	metal bracket
D*MVxWxS543MN	500	female screw UNC 4.40	metal bracket
D*MxWxS543N	500	without	plastic bracket
D*MLxWxS543N	500	insert M3	plastic bracket
D*MOxWxS543N	500	insert UNC 4.40	plastic bracket
D*MVxWxS543N	500	female screw UNC 4.40	plastic bracket



www.fciconnect.com			surface ISO 1302	tolerance std ISO 406 ISO 1101	projection mm
			TOLERANCES UNLESS OTHERWISE SPECIFIED		
Dr	M. PESSON	2006/11/14	ANGULAR	0.X ±0.3	size A2
Eng	M. PESSON	2006/11/14	LINEAR	0.XX ±0.1	Scale 2:1
Chr	P. LEGARE	2006/11/14	0° ±2°	0.XXX ±0.05	ECN LS06-0174
Appr	P. LEGARE	2006/11/14	Product family		- Spec ref
			SUB FEMALE DMW EUROPE foot print		Rev. A
			mixed power right angled solder		C01-8637-1749
catalog no			CUSTOMER		sheet 3 of 9

5W1

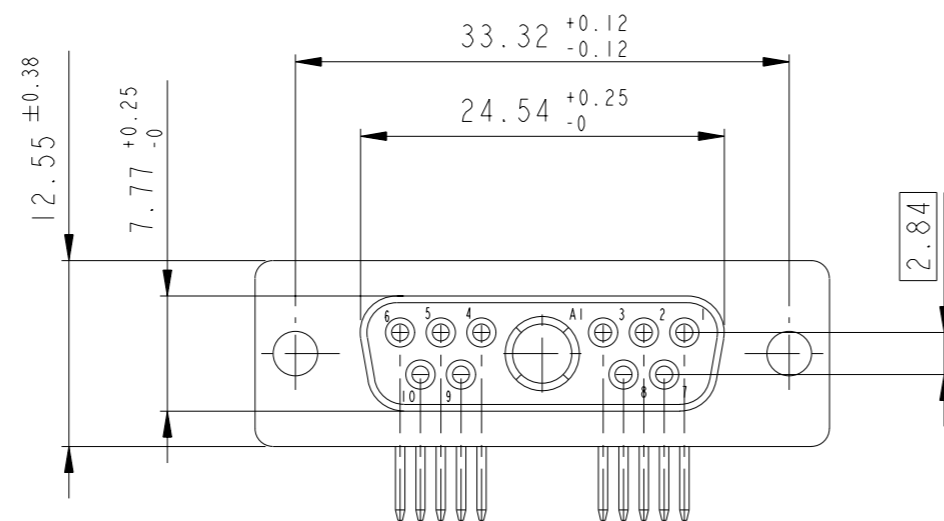
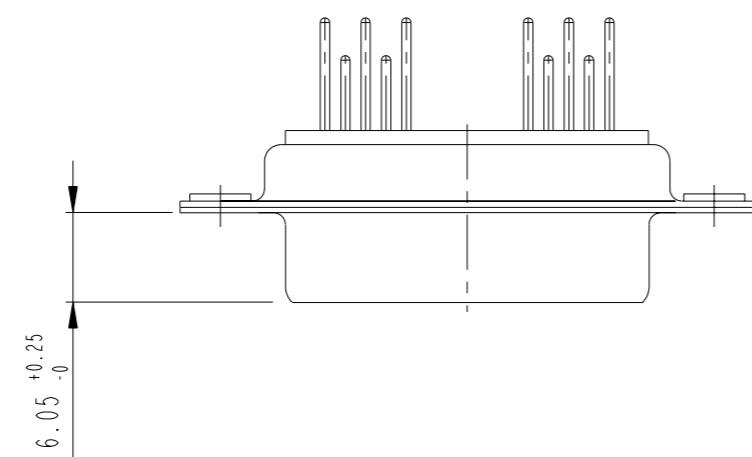
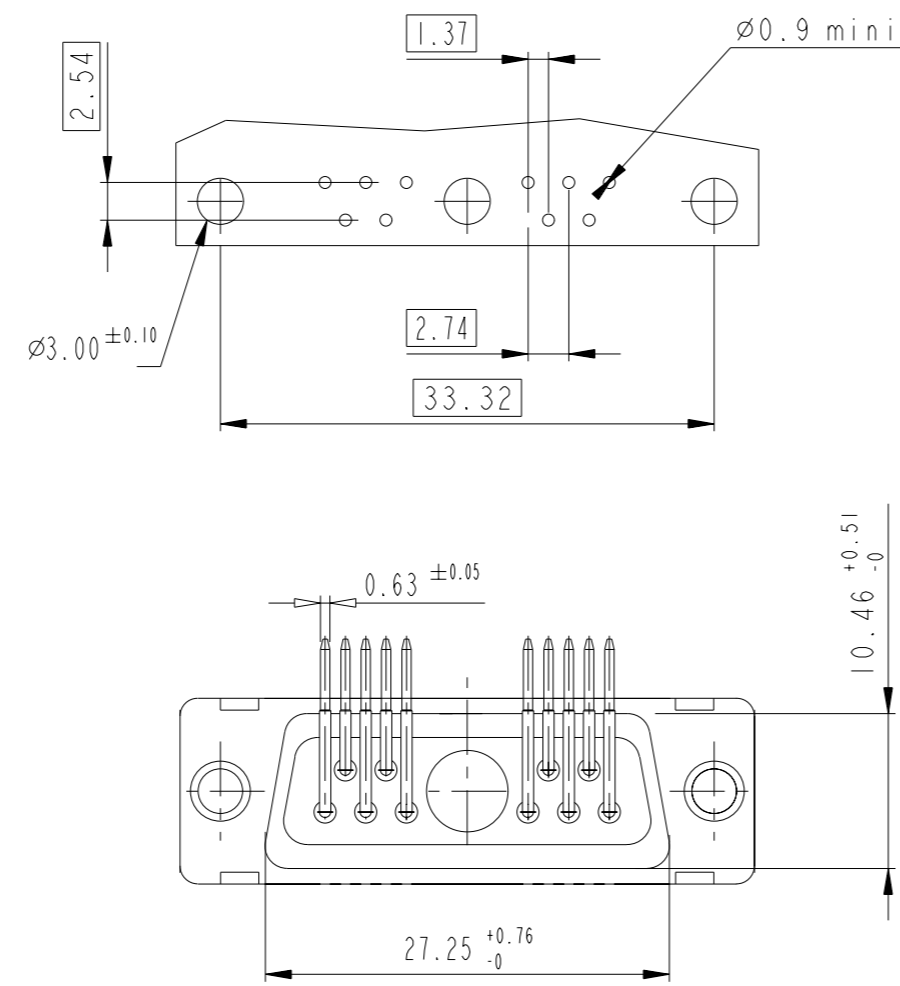
LAYOUT AND CONNECTOR DIMENSIONS



Floating signal contacts

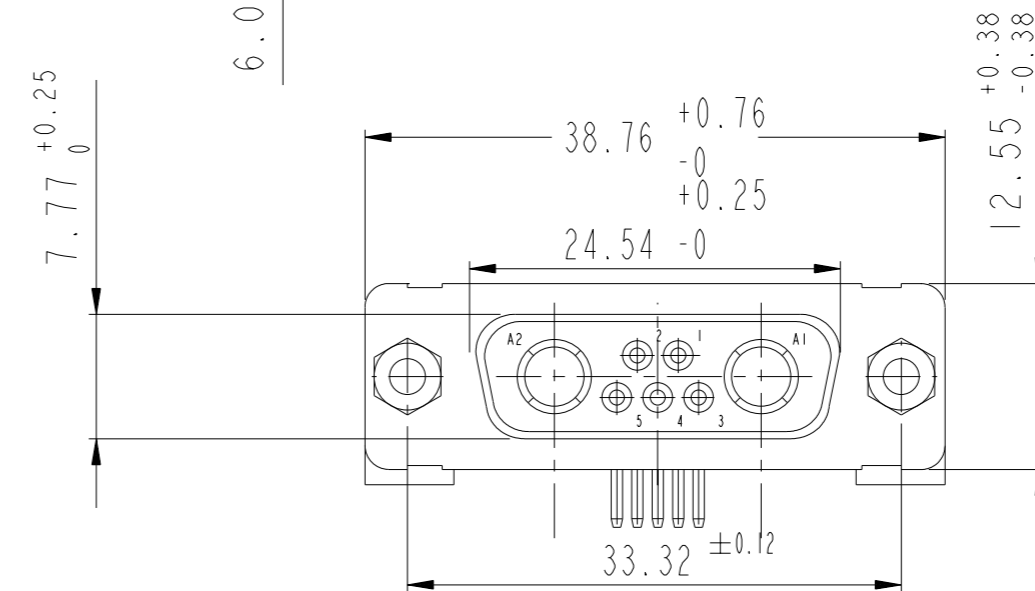
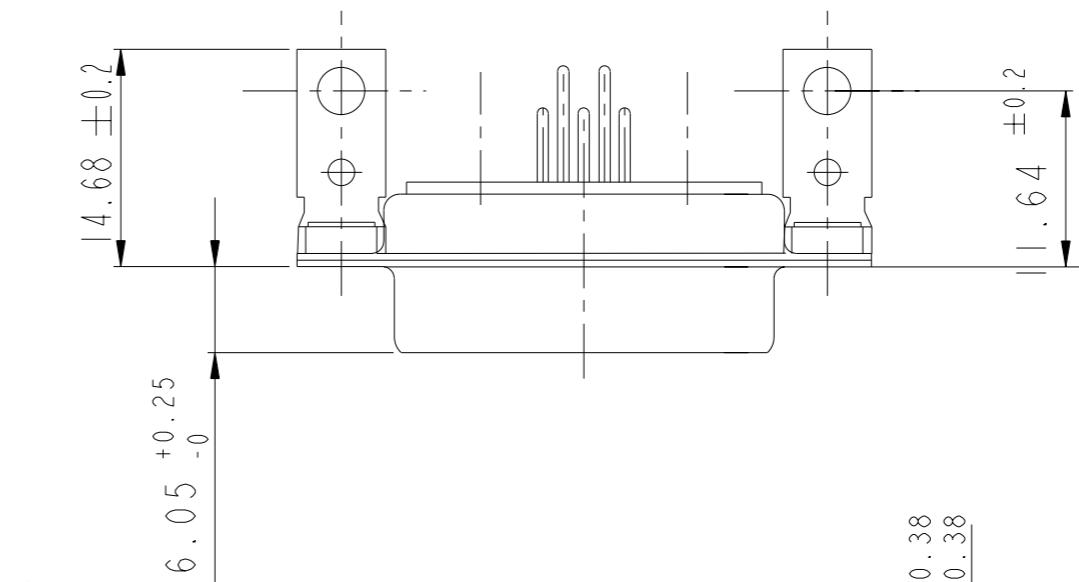
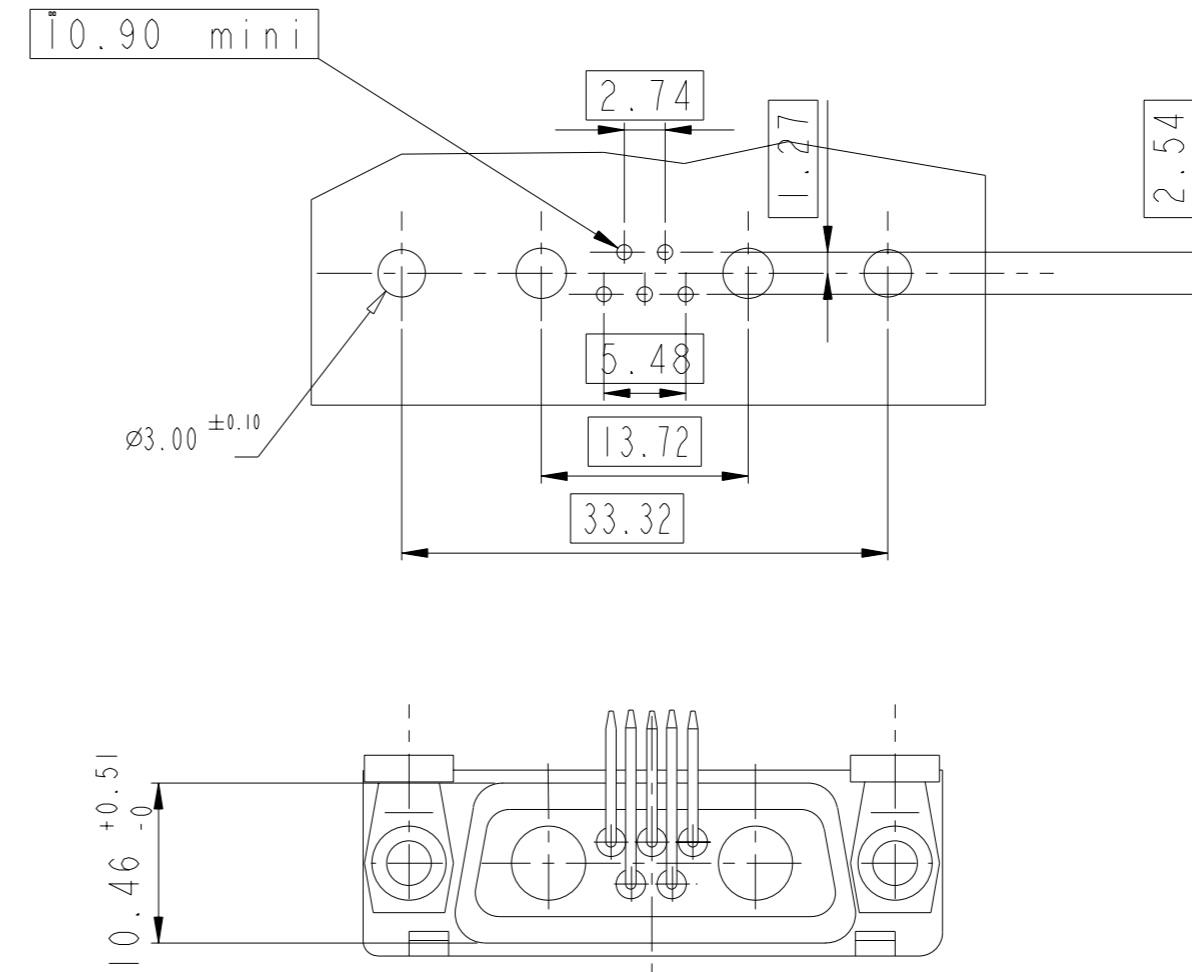
11W1

LAYOUT AND CONNECTOR DIMENSIONS

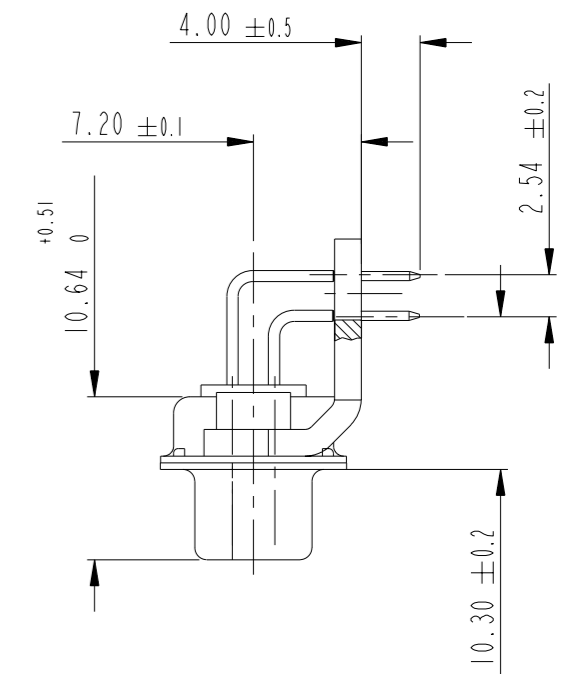


7W2

LAYOUT AND CONNECTOR DIMENSIONS



SIDE VIEW FOR ALL LAYOUTS
E-A-B-C

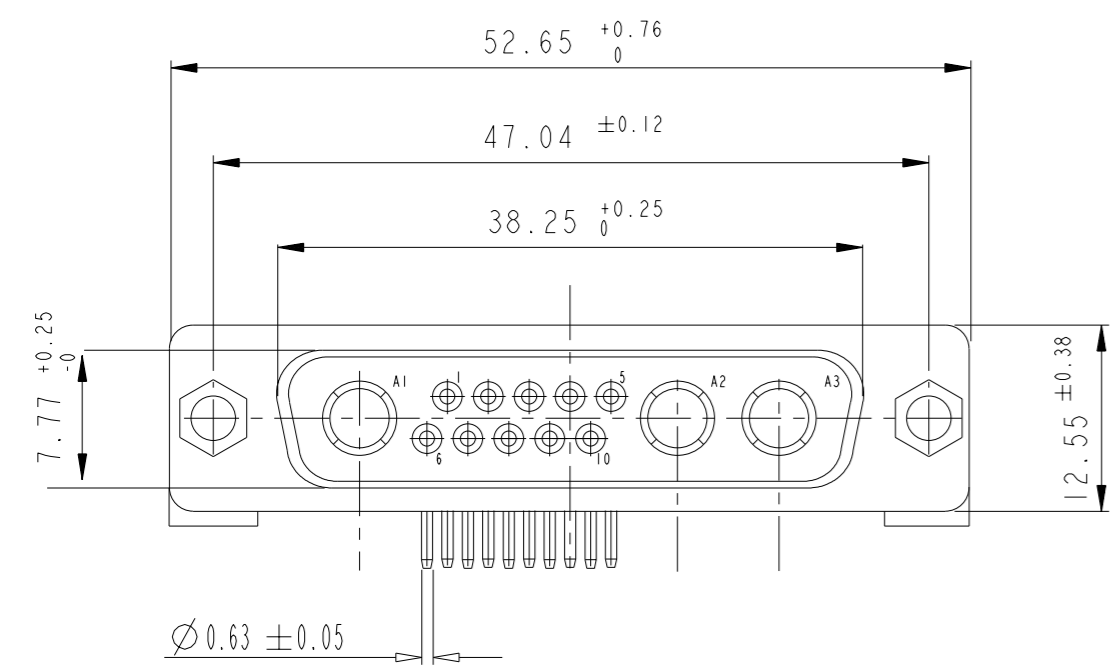
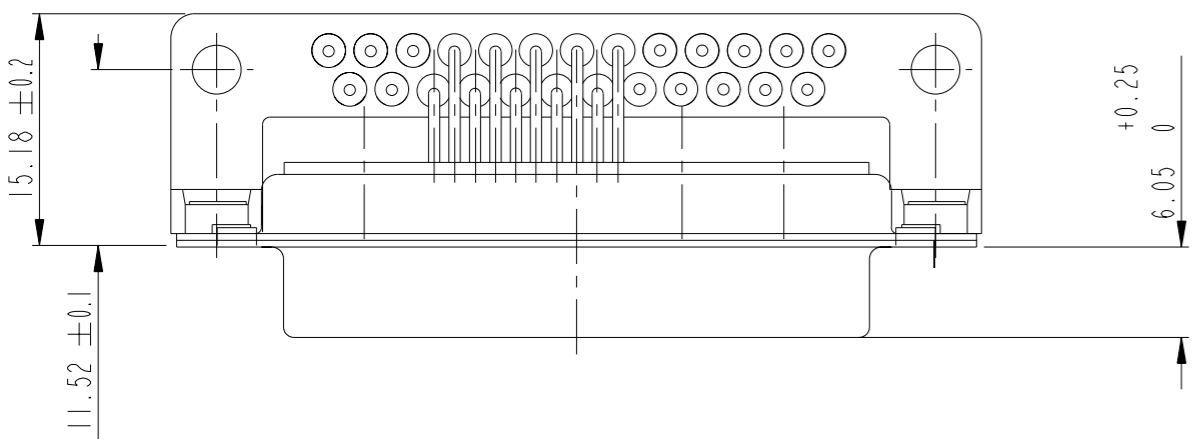
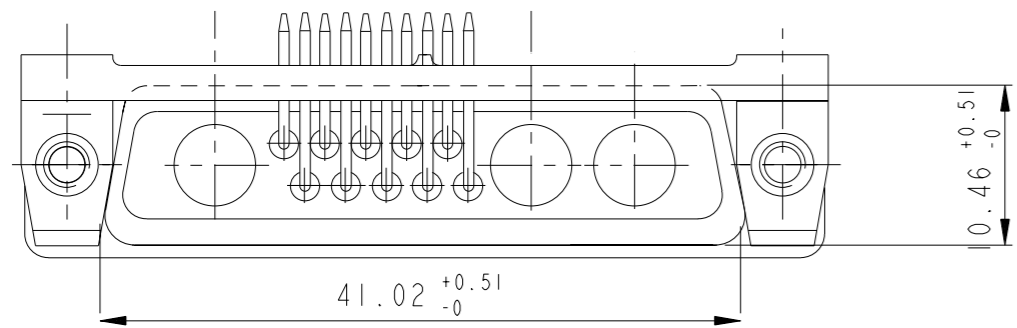
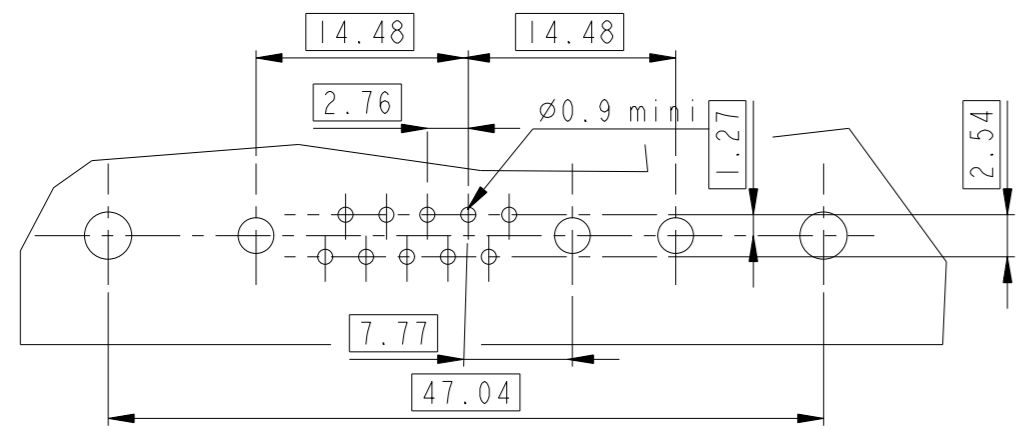


Copyright FCI. FCI

www.fciconnect.com		surface ISO 1302	tolerance std ISO 406 ISO 1101	projection mm
		TOLERANCES UNLESS OTHERWISE SPECIFIED		mm
Dr	M. PESSON	2006/11/14	ANGULAR	0.x ±0.3
Eng	M. PESSON	2006/11/14	LINEAR	0.xx ±0.1
Chr	P. LEGARE	2006/11/14	0° ±2°	0.xxx ±0.05
Appr	P. LEGARE	2006/11/14	Product family	- Spec ref
SUB FEMALE DMW EUROPE foot print		mixed power right angled solder		Rev. A
catalog no		CUSTOMER		sheet 4 of 9

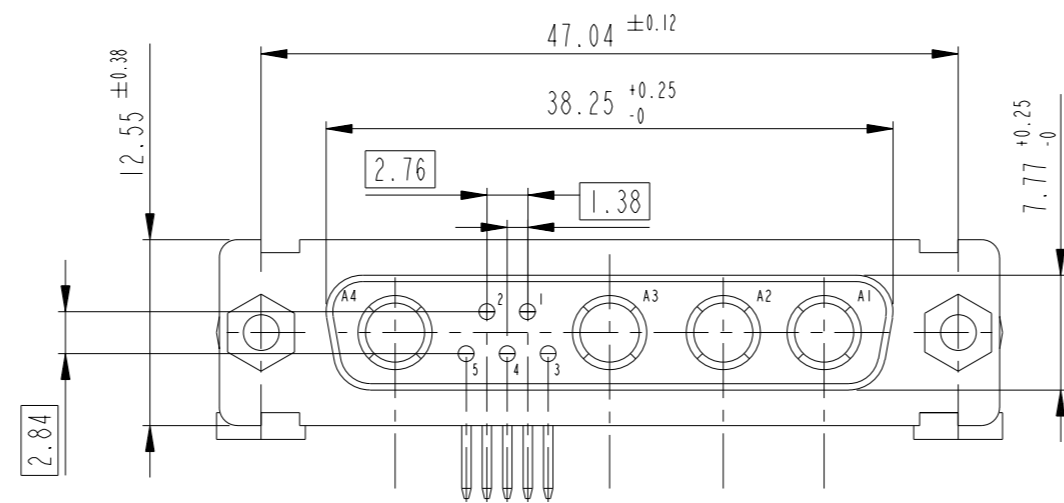
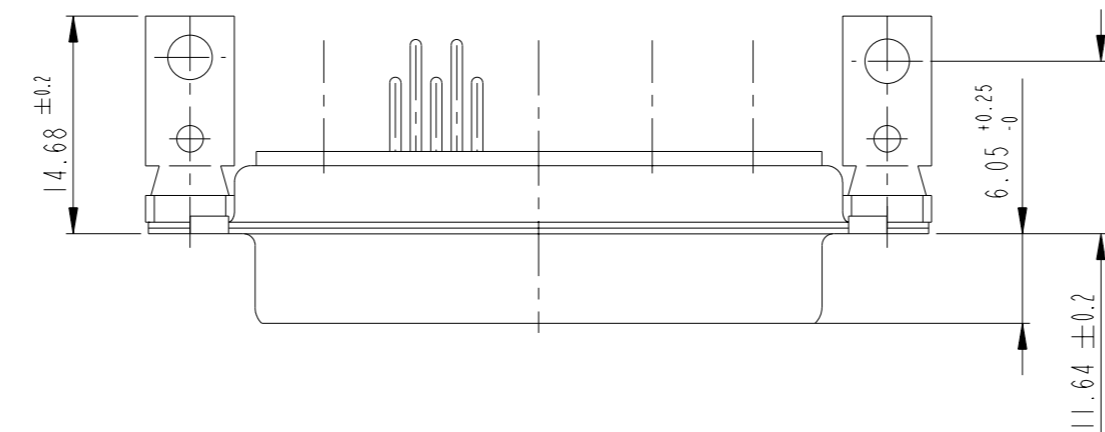
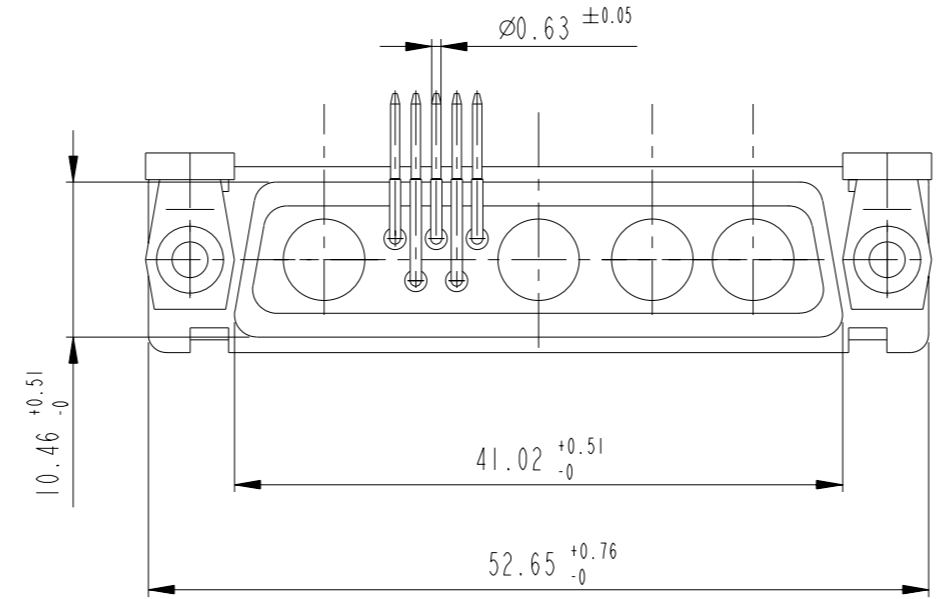
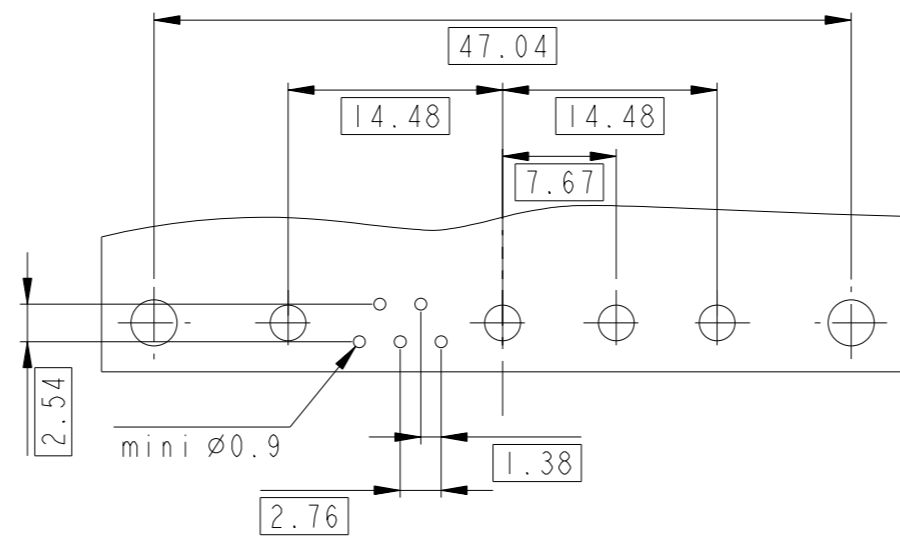
13W3

LAYOUT AND CONNECTOR DIMENSIONS



9W4

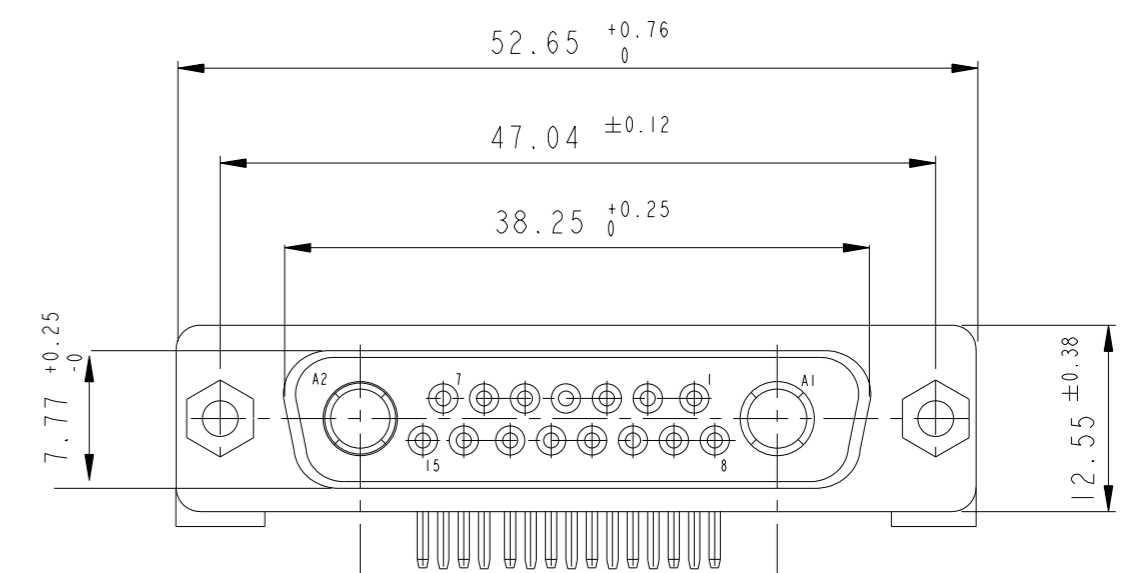
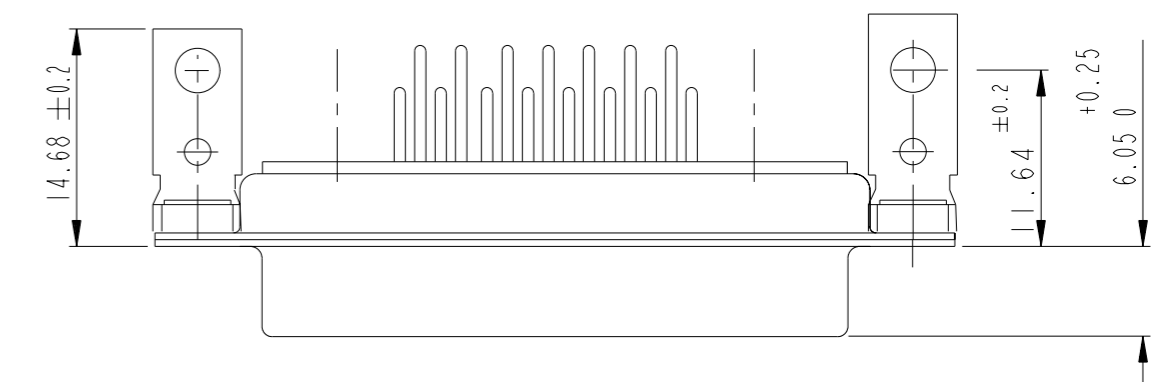
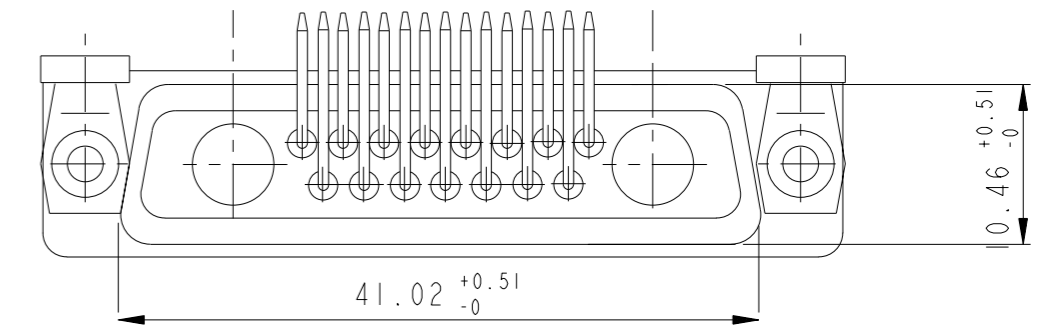
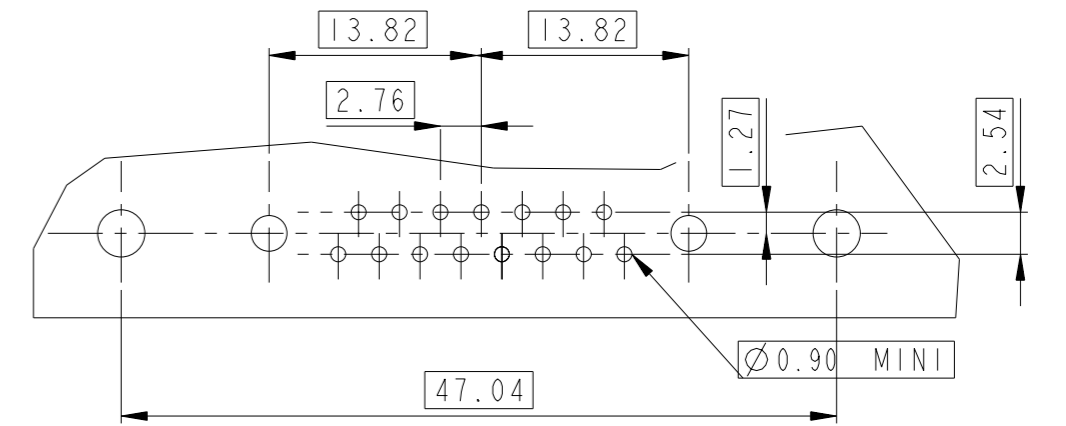
LAYOUT AND CONNECTOR DIMENSIONS



Floating signal contacts

17W2

LAYOUT AND CONNECTOR DIMENSIONS

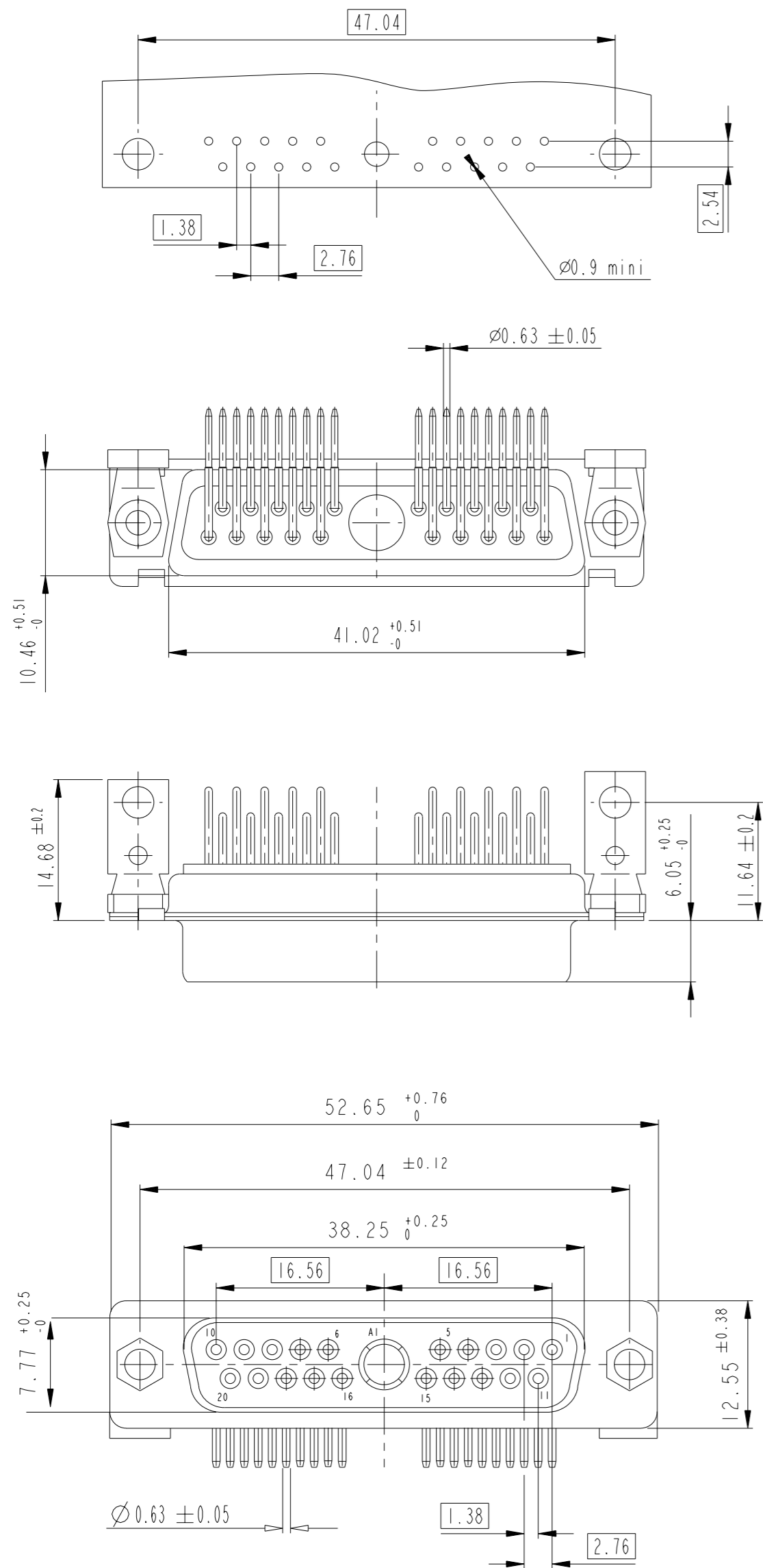


Copyright FCi

www.fciconnect.com		surface -	tolerance std	projection	mm
		ISO 1302	ISO 406 ISO 1101		
		TOLERANCES UNLESS OTHERWISE SPECIFIED		size	Scale
Dr	M. PESSON	2006/11/14	ANGULAR	0.X ±0.3	2:1
Eng	M. PESSON	2006/11/14	LINEAR	0.XX ±0.1	
Chr	P. LEGARE	2006/11/14	0° ±2°	0.XXX ±0.05	ECN LS06-0174
Appr	P. LEGARE	2006/11/14	Product family	-	Spec ref
		SUB FEMALE DMW EUROPE foot print		dwg no	Rev.
		mixed power right angled solder		C01-8637-1749	A
catalog no		CUSTOMER		sheet 5 of 9	

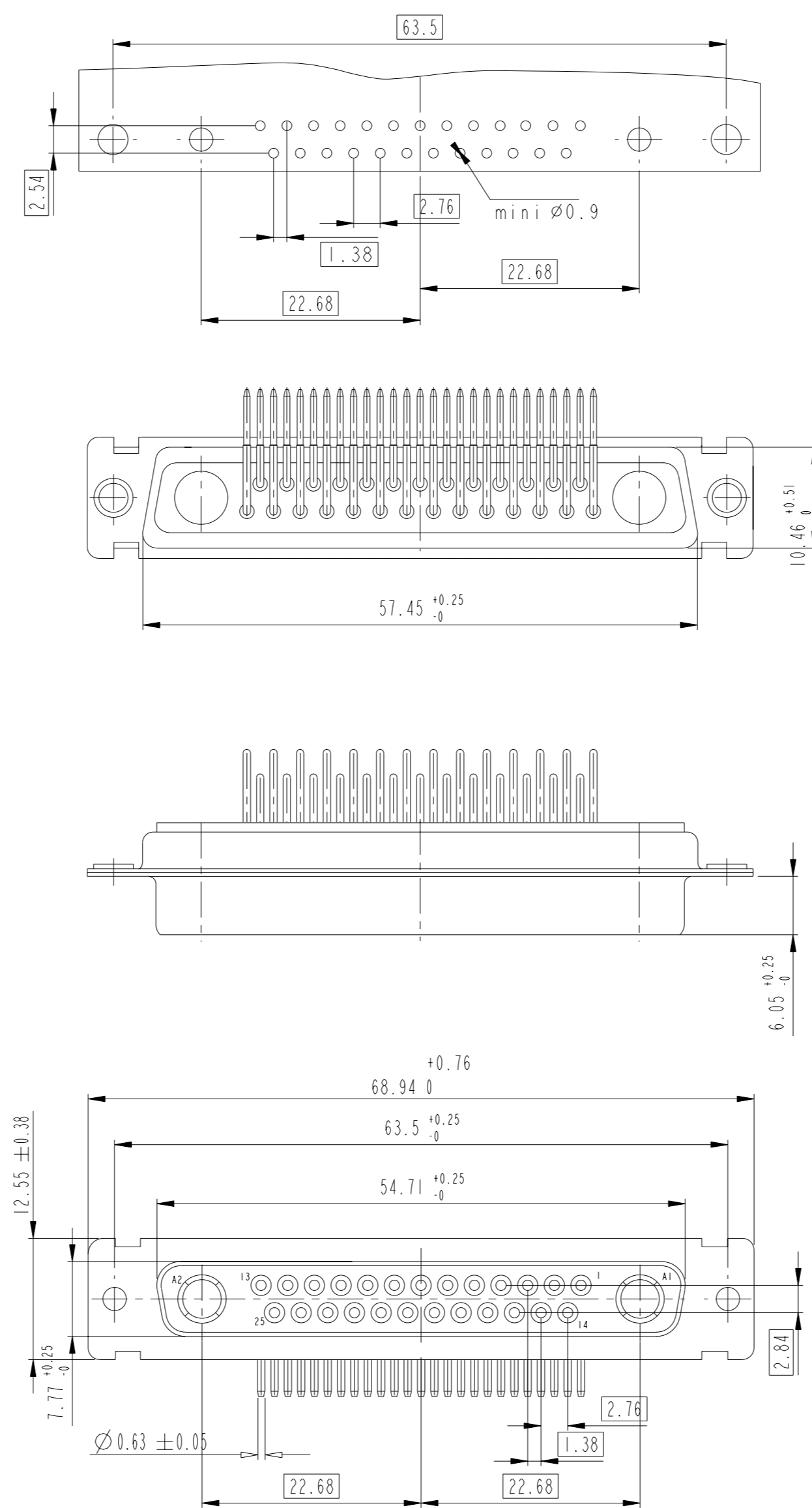
21W1

LAYOUT AND CONNECTOR DIMENSIONS



27W2

LAYOUT AND CONNECTOR DIMENSIONS



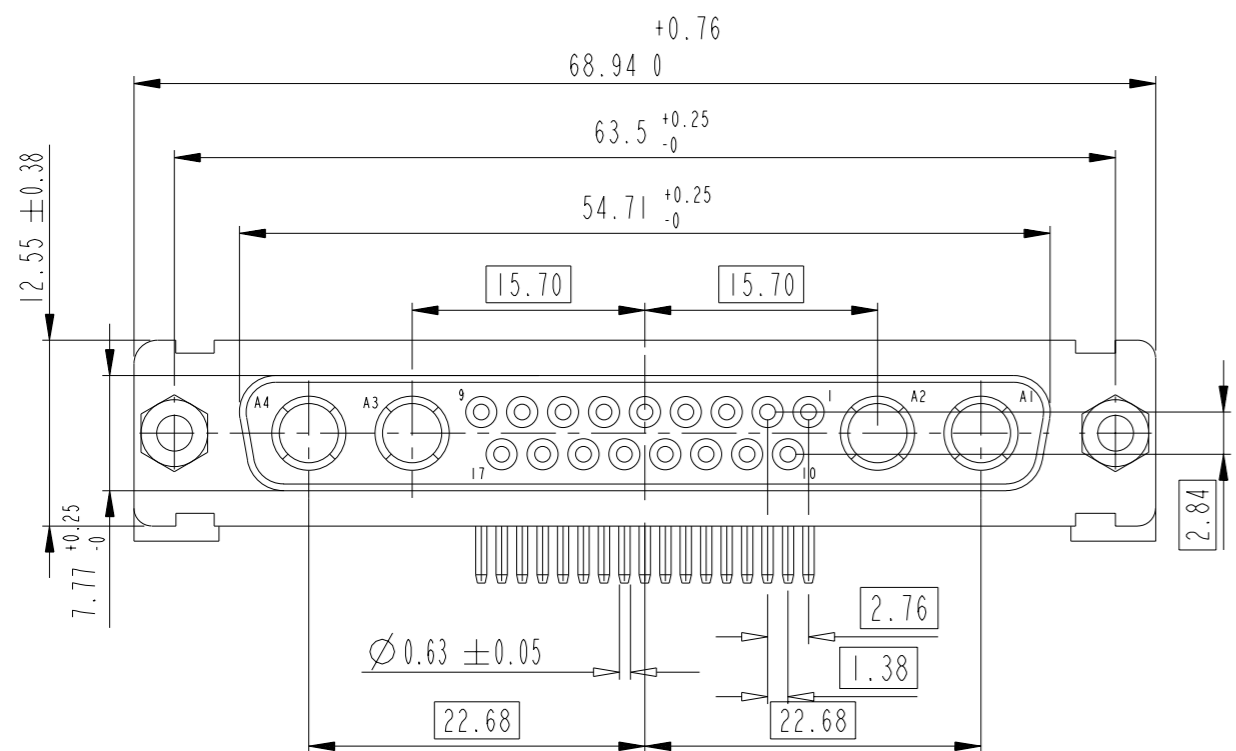
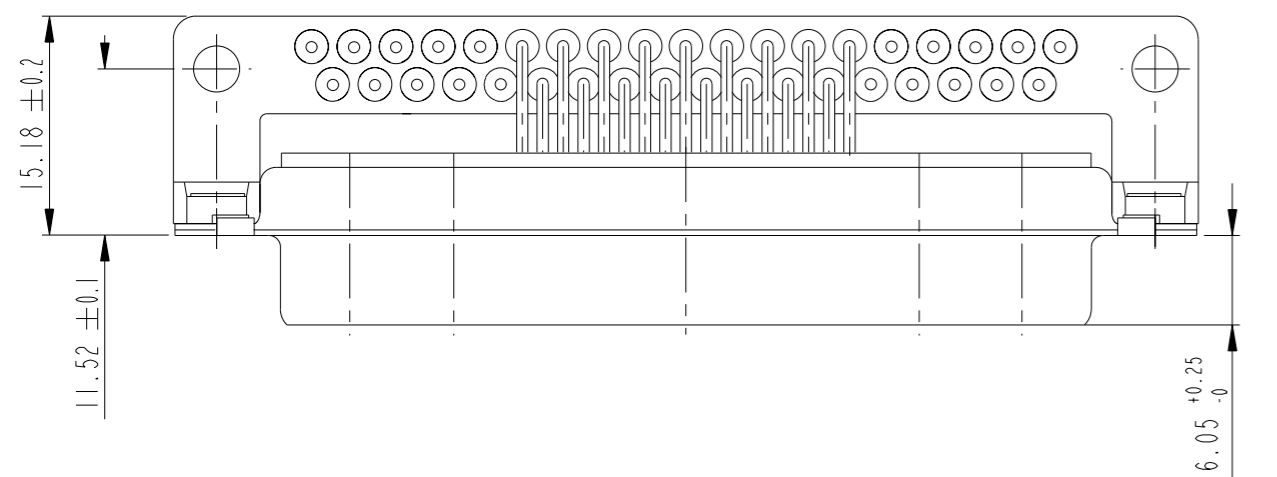
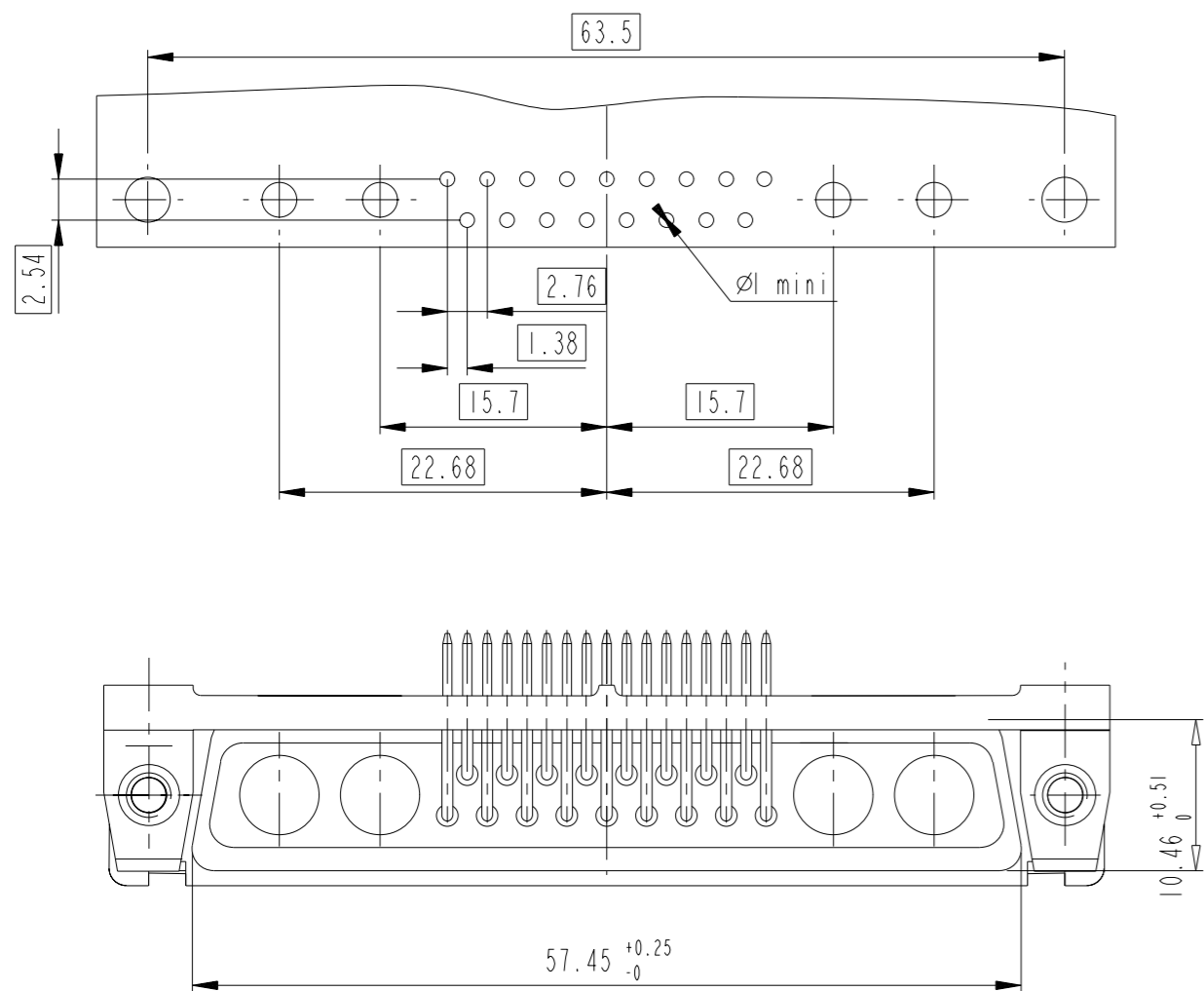
Copyright FCi

FCi

www.fciconnect.com		surface - ISO 1302	tolerance std ISO 406 ISO 1101	projection mm
		TOLERANCES UNLESS OTHERWISE SPECIFIED		mm
Dr	M.PESSON	2006/11/14	ANGULAR	size A2
Eng	M.PESSON	2006/11/14	LINEAR	Scale 2:1
Chr	P.LEGARE	2006/11/14	0° ± 2°	ECN LS06-0174
Appr	P.LEGARE	2006/11/14	Product family	- Spec ref
		TITLE SUB FEMALE DMW EUROPE foot print mixed power right angled solder		dwg no C01-8637-1749 Rev. A
catalog no		CUSTOMER		sheet 6 of 9

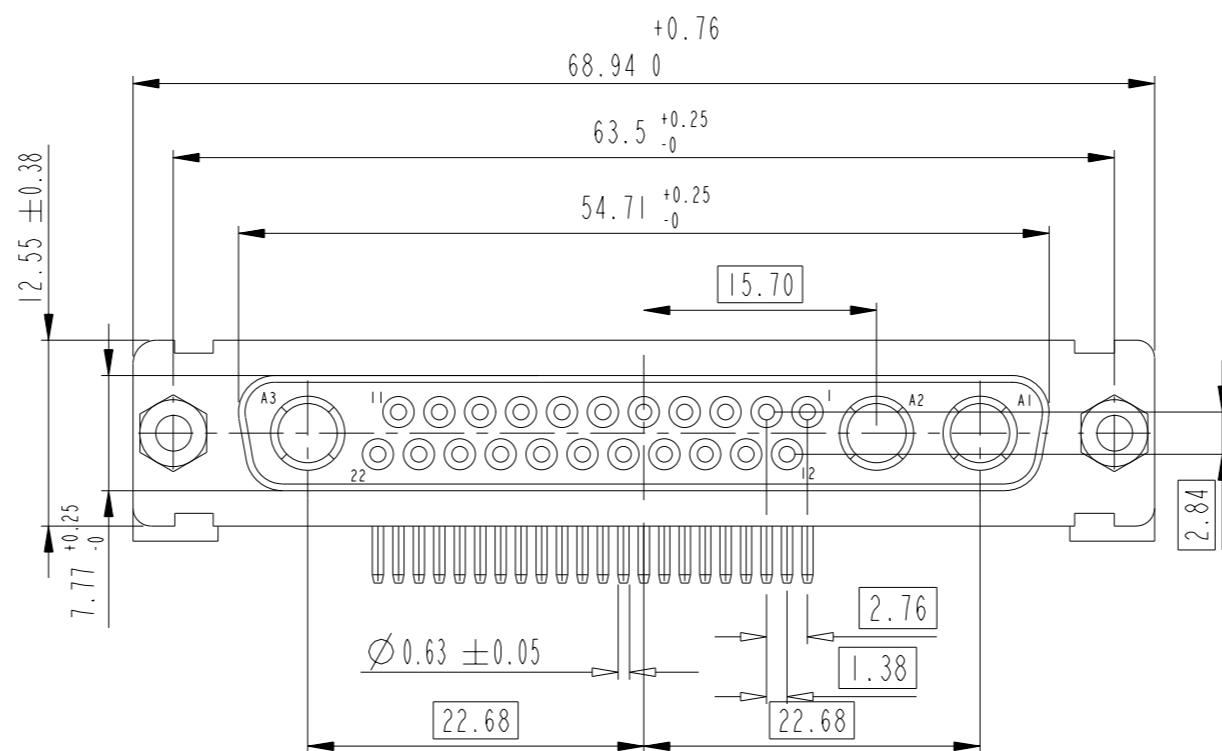
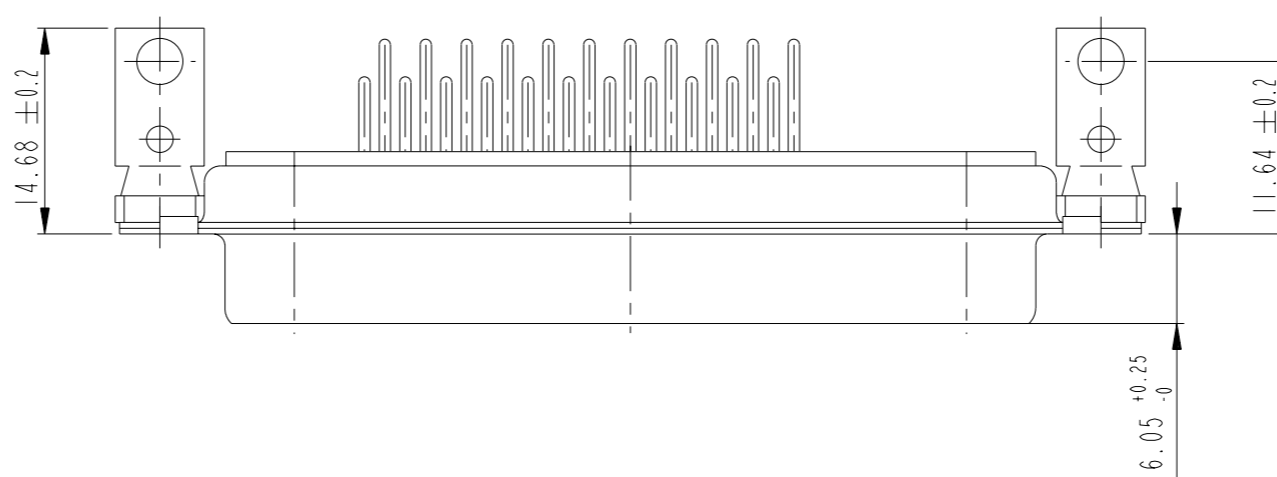
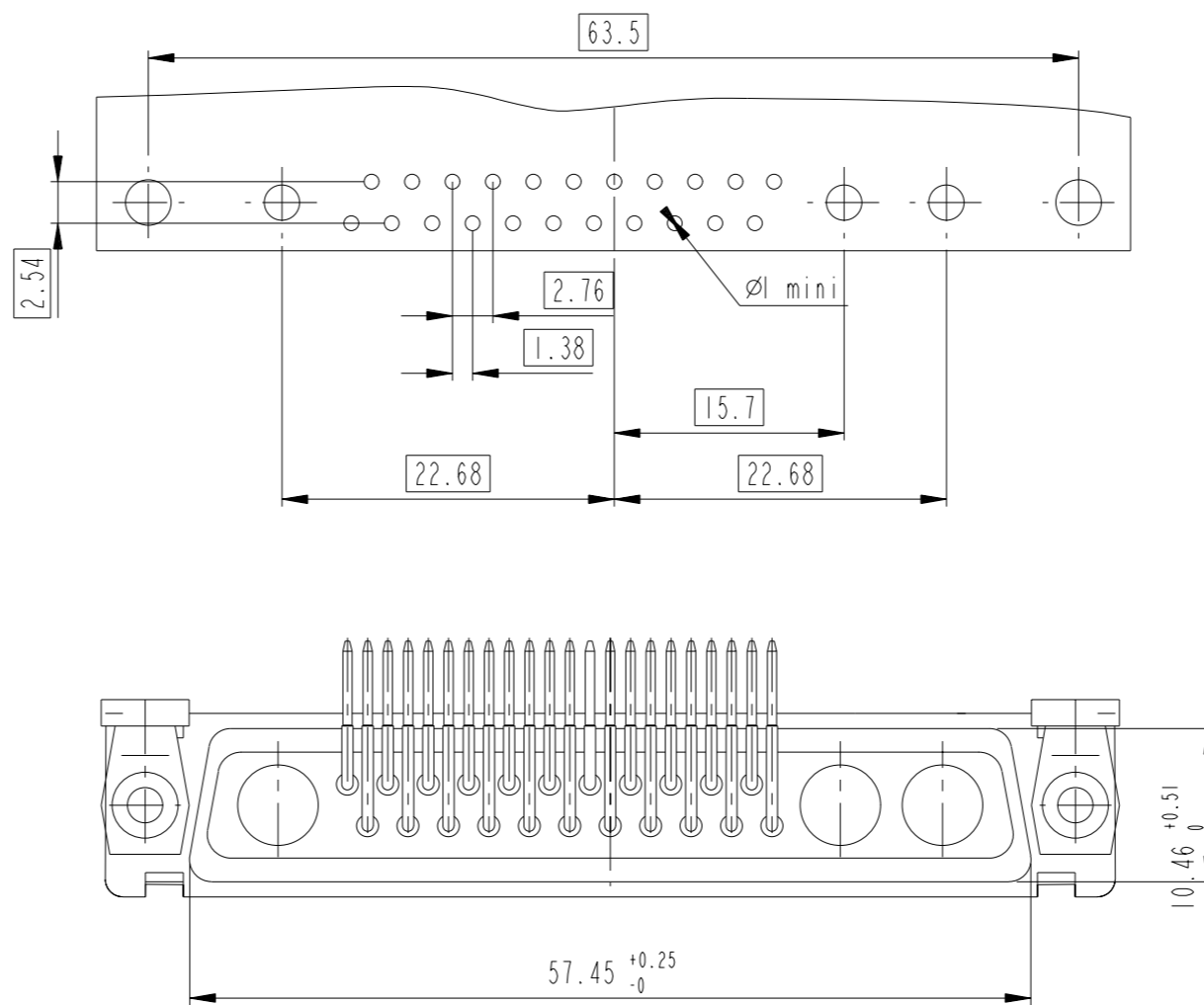
21WA4

LAYOUT AND CONNECTOR DIMENSIONS



25W3

LAYOUT AND CONNECTOR DIMENSIONS



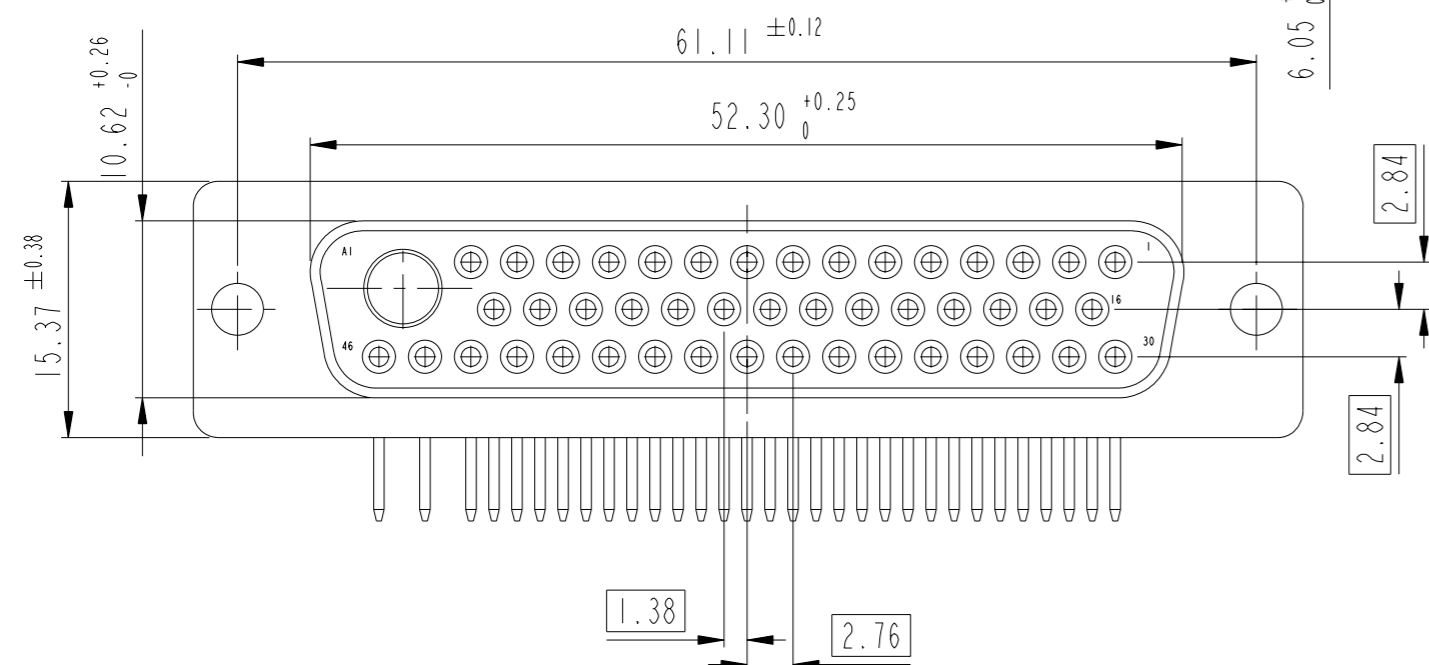
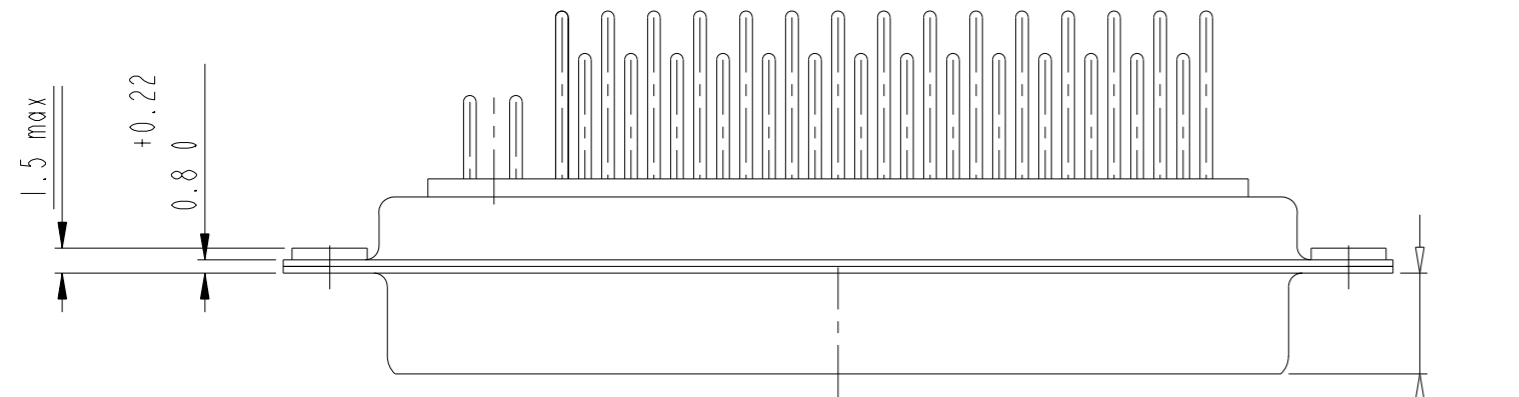
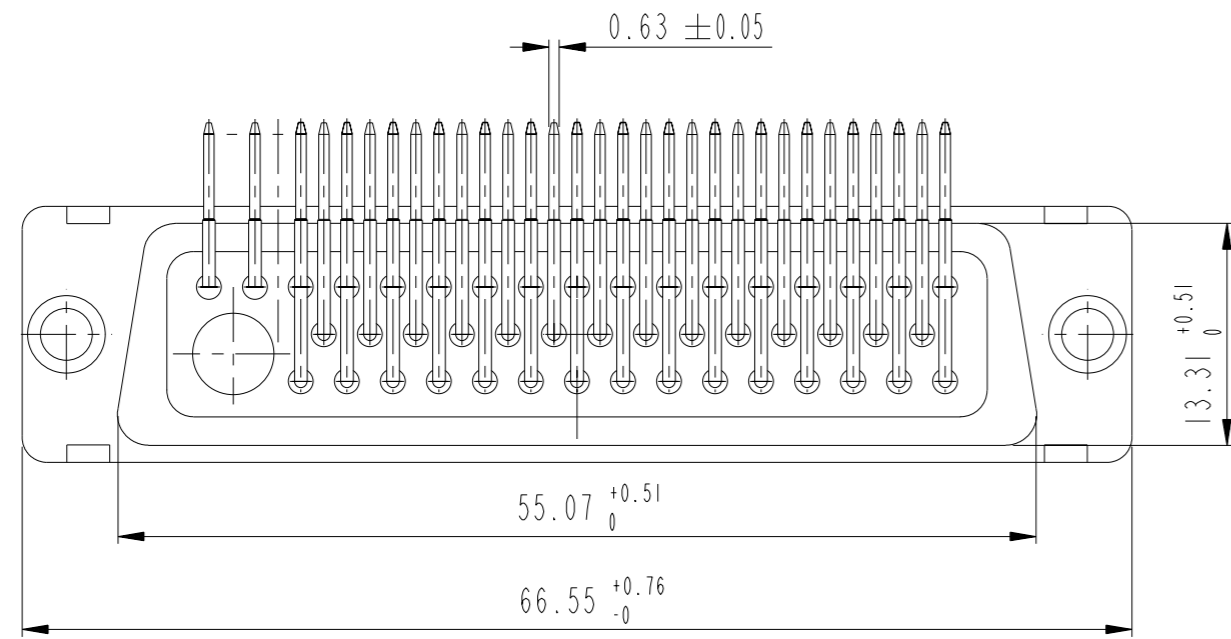
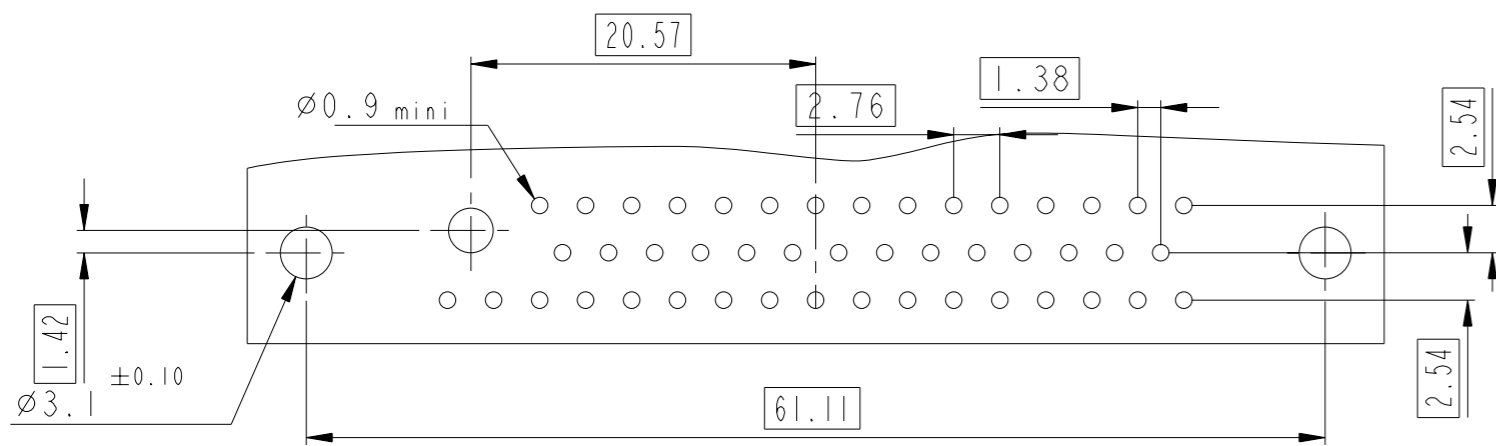
Copyright FCi.



www.fciconnect.com		surface	tolerance std	projection	mm
		ISO 1302	ISO 406 ISO 1101	⊕	←→
		TOLERANCES UNLESS OTHERWISE SPECIFIED			
Dr	M.PESSON	2006/11/14	ANGULAR	0.X	±0.3
Eng	M.PESSON	2006/11/14	LINEAR	0.XX	±0.1
Chr	P.LEGARE	2006/11/14	0° ±2°	0.XXX	±0.05
Appr	P.LEGARE	2006/11/14	Product family	- Spec ref	
TITLE		SUB FEMALE DMW EUROPE foot print		dwg no	Rev.
		mixed power right angled solder		C01-8637-1749	A
catalog no		CUSTOMER		sheet 7 of 9	

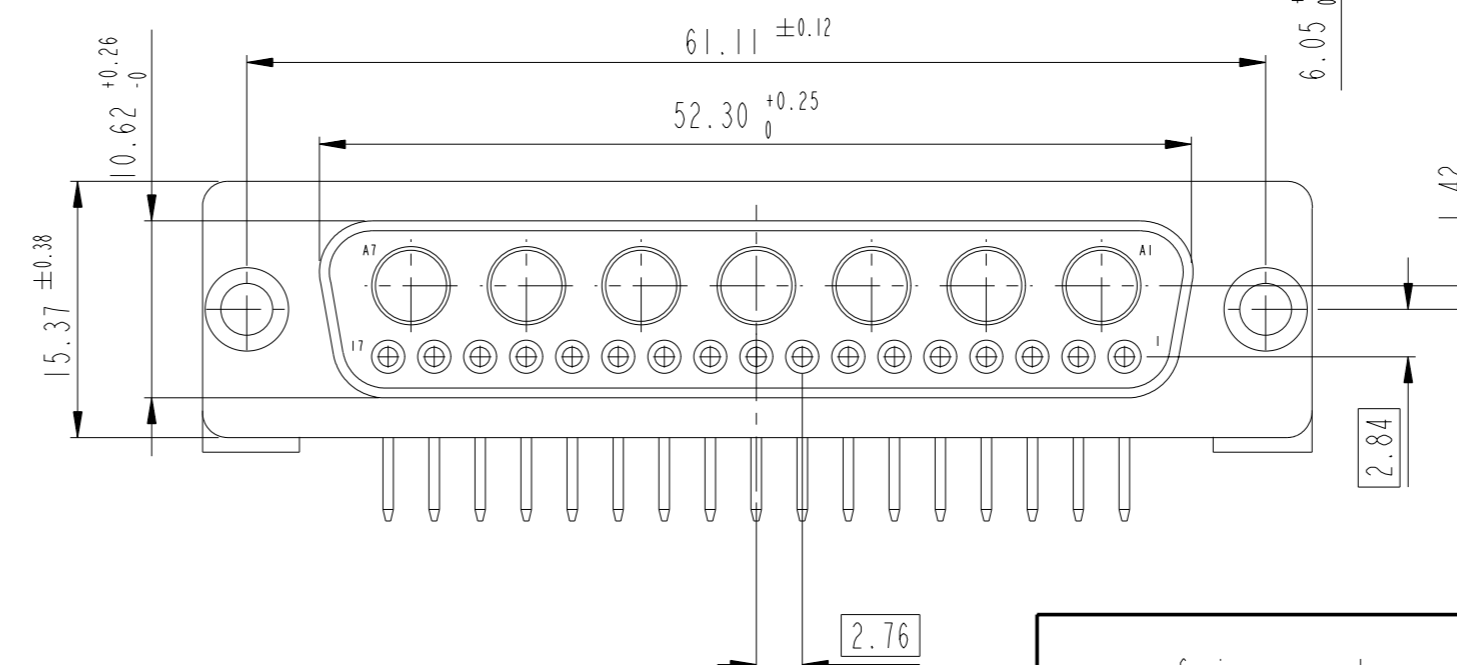
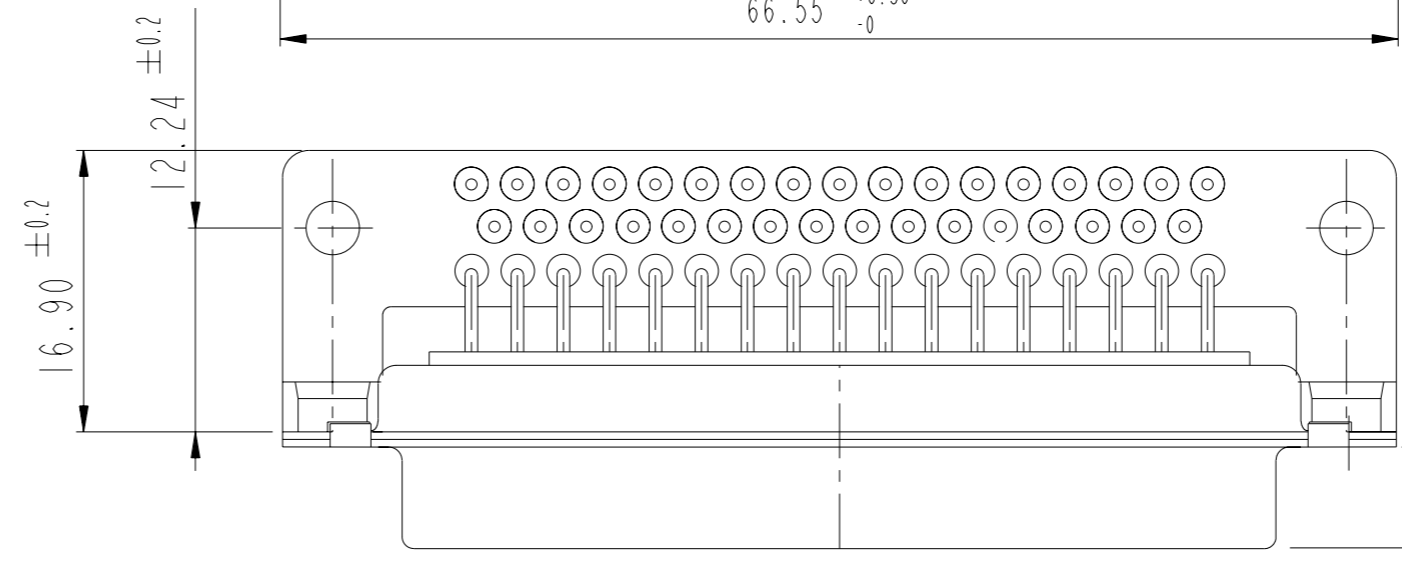
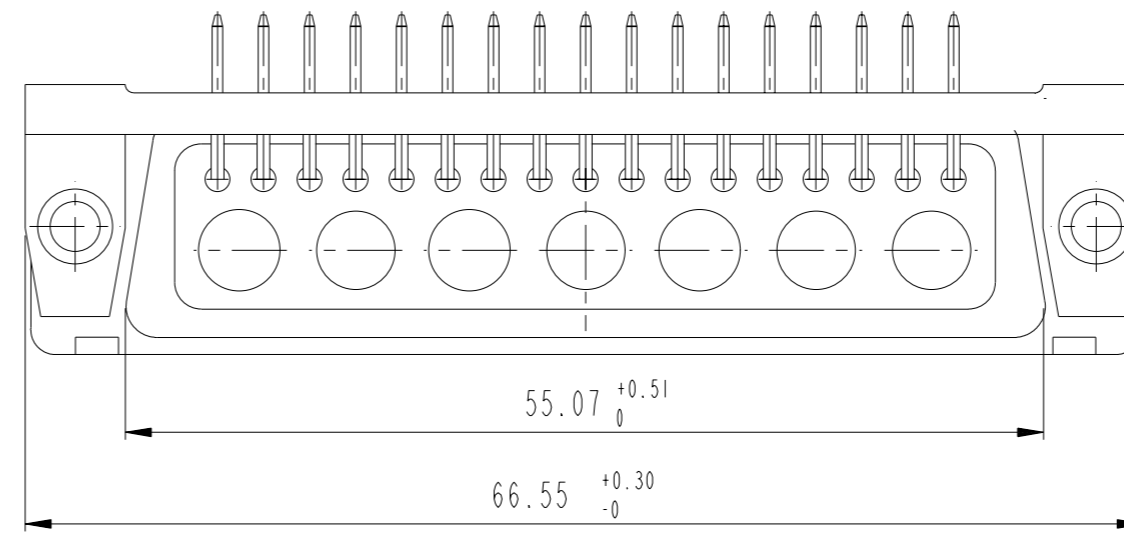
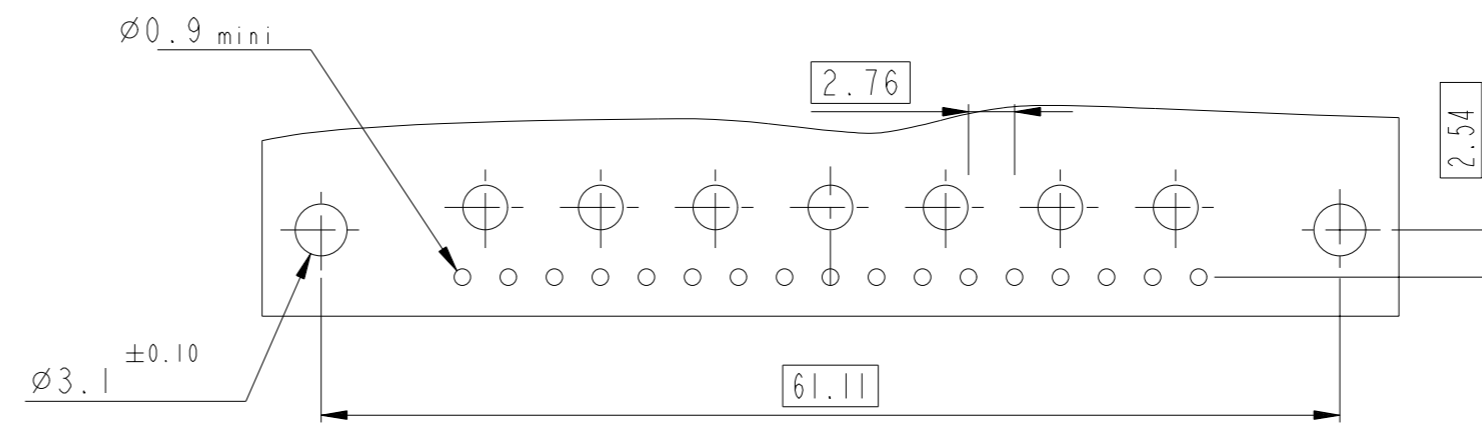
47W1

LAYOUT AND CONNECTOR DIMENSIONS



24W7

LAYOUT AND CONNECTOR DIMENSIONS



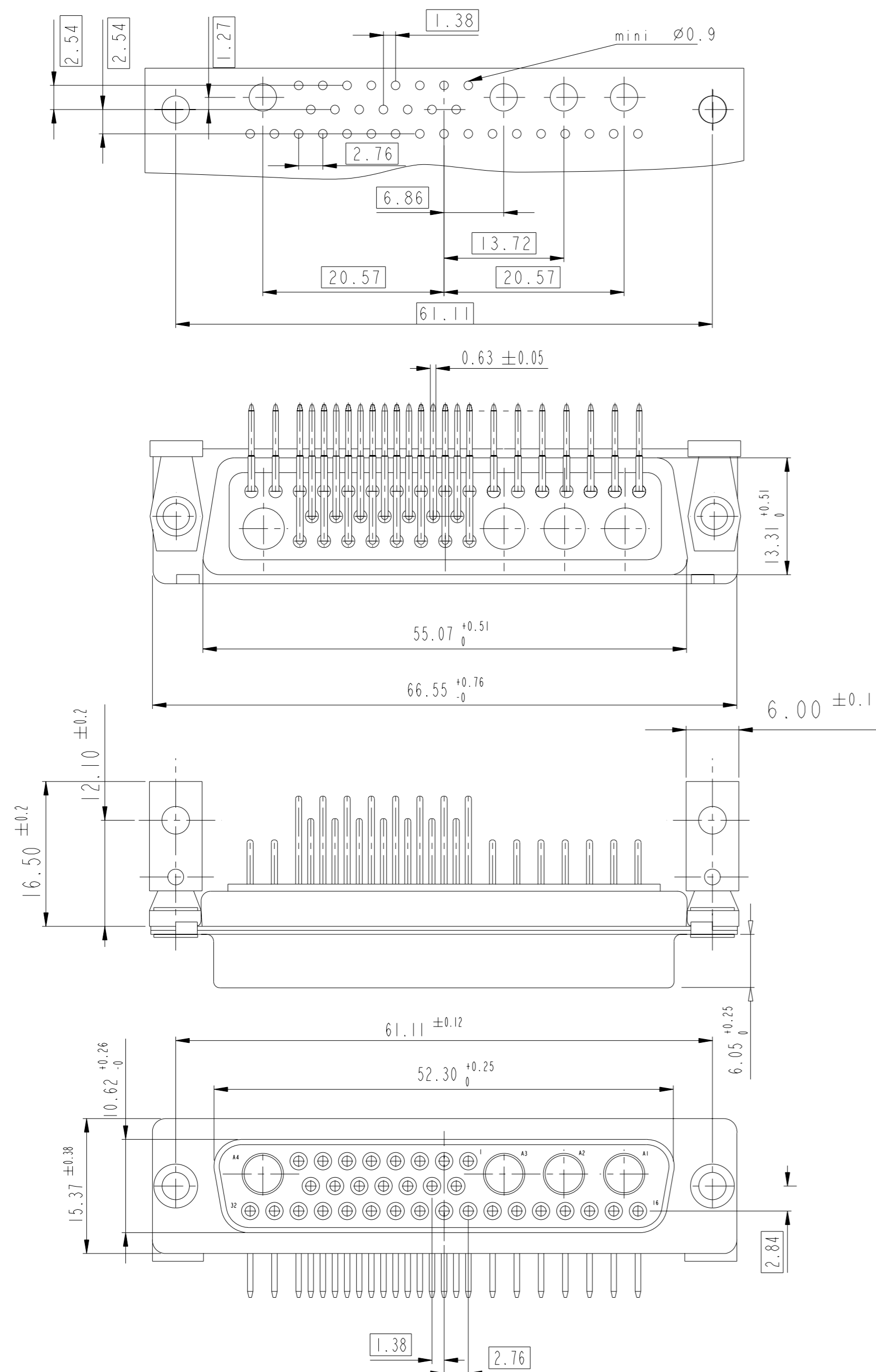
Copyright FCi



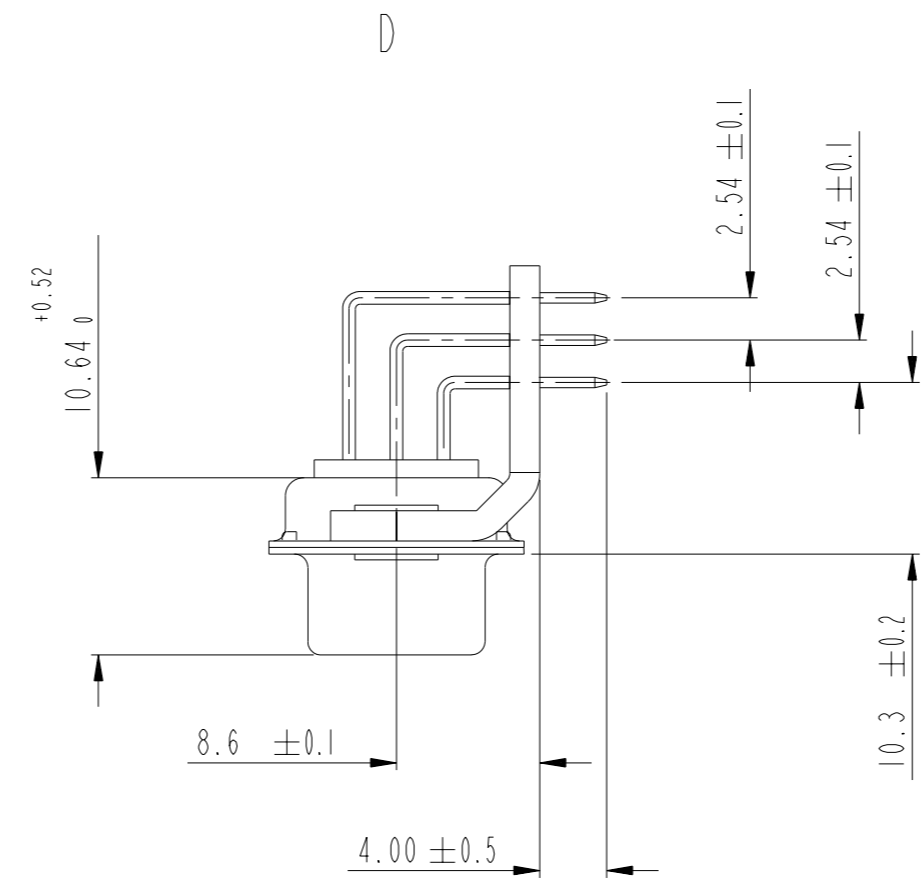
www.fciconnect.com		surface ISO 1302	tolerance std ISO 406 ISO 1101	projection mm
		TOLERANCES UNLESS OTHERWISE SPECIFIED		mm
Dr	M. PESSON	2006/11/14	ANGULAR	size A2
Eng	M. PESSON	2006/11/14	LINEAR	Scale 2:1
Chr	P. LEGARE	2006/11/14	0° ±2°	ECN LS06-0174
Appr	P. LEGARE	2006/11/14	Product family	- Spec ref
		title SUB FEMALE DMW EUROPE foot print mixed power right angled solder catalog no -		dwg no C01-8637-1749 Rev. A
			CUSTOMER	sheet 8 of 9

36W4

LAYOUT AND CONNECTOR DIMENSIONS



SIDE VIEW FOR ALL LAYOUTS



Copyright FCi. FCi

www.fciconnect.com			surface ISO 1302	tolerance std ISO 406 ISO 1101	projection mm	mm	
TOLERANCES UNLESS OTHERWISE SPECIFIED			ANGULAR		size	Scale	
Dr	M. PESSON	2006/11/14	0.X	±0.3	A2	2:1	
Eng	M. PESSON	2006/11/14	0.XX	±0.1	ECN LS06-0174		
Chr	P. LEGARE	2006/11/14	0° ±2°	0.XXX	- Spec ref		
Appr	P. LEGARE	2006/11/14	Product family		-		
FCi			SUB FEMALE DMW EUROPE foot print		dwg no	Rev.	
			mixed power right angled solder		C01-8637-1749	A	
catalog no			CUSTOMER		sheet 9 of 9		



Компания «ЭлектроПласт» предлагает заключение долгосрочных отношений при поставках импортных электронных компонентов на взаимовыгодных условиях!

Наши преимущества:

- Оперативные поставки широкого спектра электронных компонентов отечественного и импортного производства напрямую от производителей и с крупнейших мировых складов;
- Поставка более 17-ти миллионов наименований электронных компонентов;
- Поставка сложных, дефицитных, либо снятых с производства позиций;
- Оперативные сроки поставки под заказ (от 5 рабочих дней);
- Экспресс доставка в любую точку России;
- Техническая поддержка проекта, помощь в подборе аналогов, поставка прототипов;
- Система менеджмента качества сертифицирована по Международному стандарту ISO 9001;
- Лицензия ФСБ на осуществление работ с использованием сведений, составляющих государственную тайну;
- Поставка специализированных компонентов (Xilinx, Altera, Analog Devices, Intersil, Interpoint, Microsemi, Aeroflex, Peregrine, Syfer, Eurofarad, Texas Instrument, Miteq, Cobham, E2V, MA-COM, Hittite, Mini-Circuits, General Dynamics и др.);

Помимо этого, одним из направлений компании «ЭлектроПласт» является направление «Источники питания». Мы предлагаем Вам помощь Конструкторского отдела:

- Подбор оптимального решения, техническое обоснование при выборе компонента;
- Подбор аналогов;
- Консультации по применению компонента;
- Поставка образцов и прототипов;
- Техническая поддержка проекта;
- Защита от снятия компонента с производства.



Как с нами связаться

Телефон: 8 (812) 309 58 32 (многоканальный)

Факс: 8 (812) 320-02-42

Электронная почта: org@eplast1.ru

Адрес: 198099, г. Санкт-Петербург, ул. Калинина, дом 2, корпус 4, литера А.