

# Bluetooth/Wi-Fi Antenna Module



Ø77.3 x 36.5 mm

## APAMBJ-145

RoHS/RoHS II Compliant

MSL level: Not Applicable

### FEATURES:

- Passive, External Dual band WiFi / Bluetooth antennas Covering WIFI / BLUETOOTH (2.4 GHz) and WIFI (5.1 - 5.9 GHz)
- Gain: 5 dBi max. at 2.4GHz; and 2dBi at 5.8GHz
- VSWR: 2:1
- RoHS/RoHS II compliant
- 2J Technology

### TYPICAL APPLICATIONS:

- Vehicle WiFi Routers
- WiFi Terminals

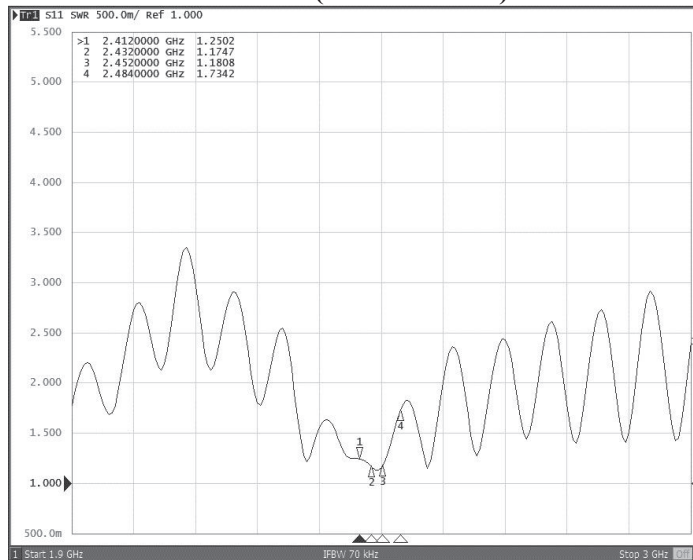
### STANDARD SPECIFICATIONS:

Parameters	Min.	Typ.	Max.	Units	Note
Receiving Frequency		2.4		GHz	Wifi / Bluetooth
	5.1		5.9	GHz	WiFi
VSWR			2:1		
Polarization Model	Horizontal				
Impedance		50		Ω	
Gain			5	dBi	@ 2.4GHz
			2	dBi	@ 5.8 GHz
Operating Temperature	-40		+85	°C	

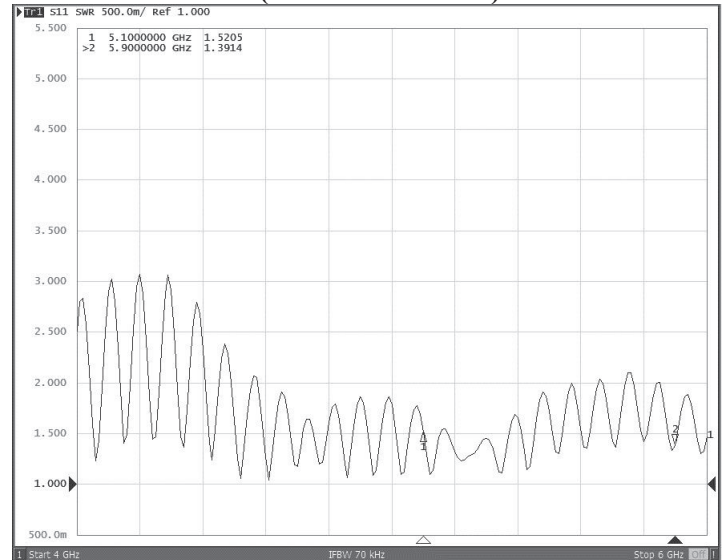
### MEASUREMENTS:

Tested with 1m cable length on 30x30cm ground plane

VSWR (Wi-Fi 2.4GHz)



VSWR (Wi-Fi 5.1-5.9GHz)



# Bluetooth/Wi-Fi Antenna Module

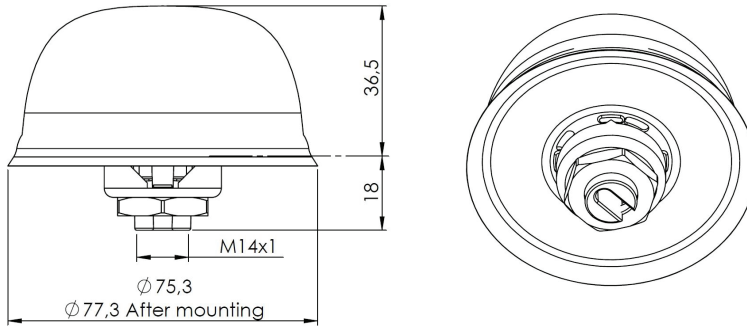
APAMBJ-145

RoHS/RoHS II Compliant



Ø77.3 x 36.5 mm

## OUTLINE DIMENSION:



Parameters	Description
RF Connector	SMA Male
Weight	220g
Cable Type	RG174U
Cable Length	250cm
Lid	ABS
Base	Zamak
Gasket	TPE
Color	Black

## PACKAGING:

Each antenna is packed individually in a 140x120x81mm box.



ABRACON IS  
ISO9001:2008  
CERTIFIED

 **ABRACON**<sup>®</sup> LLC  
The Power of Linking Together

2 Faraday, Suite# B | Irvine | CA 92618 Revised: 02.09.16  
Ph. 949.546.8000 | Fax. 949.546.8001  
Visit [www.abracon.com](http://www.abracon.com) for Terms and Conditions of Sale

# Bluetooth/Wi-Fi Antenna Module

APAMBJ-145

RoHS/RoHS II Compliant



Ø77.3 x 36.5 mm

## CAUTION:

- (1) Do not apply excess mechanical stress to the component body or terminations. Do not attempt to re-form or bend the components as this will cause damage to the component.
- (2) Do not expose the component to open flame.
- (3) This specification applies to the functionality of the component as a single unit. Please insure the component is thoroughly evaluated in the application circuit.

## NOTE:

- 1) The parts are manufactured in accordance with this specification. If other conditions and specifications which are required for this specification, please contact ABRACON for more information.
- 2) ABRACON will supply the parts in accordance with this specification unless we receive a written request to modify prior to an order placement.
- 3) In no case shall ABRACON be liable for any product failure from in appropriate handling or operation of the item beyond the scope of this specification.
- 4) When changing your production process, please notify ABRACON immediately.
- 5) ABRACON Corporation's products are COTS – Commercial-Off-The-Shelf products; suitable for Commercial, Industrial and, where designated, Automotive Applications. ABRACON's products are not specifically designed for Military, Aviation, Aerospace, Life-dependant Medical applications or any application requiring high reliability where component failure could result in loss of life and/or property. For applications requiring high reliability and/or presenting an extreme operating environment, written consent and authorization from ABRACON Corporation is required. Please contact ABRACON Corporation for more information.
- 6) All specifications and Marking will be subject to change without notice.

**ATTENTION:** Abracon Corporation's products are COTS – Commercial-Off-The-Shelf products; suitable for Commercial, Industrial and, where designated, Automotive Applications. Abracon's products are not specifically designed for Military, Aviation, Aerospace, Life-dependant Medical applications or any application requiring high reliability where component failure could result in loss of life and/or property. For applications requiring high reliability and/or presenting an extreme operating environment, written consent and authorization from Abracon Corporation is required. Please contact Abracon Corporation for more information.

ABRACON IS  
ISO9001:2008  
CERTIFIED

 **ABRACON**<sup>®</sup> LLC  
*The Power of Linking Together*

2 Faraday, Suite# B | Irvine | CA 92618 **Revised: 02.09.16**  
Ph. 949.546.8000 | Fax. 949.546.8001  
Visit [www.abracon.com](http://www.abracon.com) for Terms and Conditions of Sale



Компания «ЭлектроПласт» предлагает заключение долгосрочных отношений при поставках импортных электронных компонентов на взаимовыгодных условиях!

Наши преимущества:

- Оперативные поставки широкого спектра электронных компонентов отечественного и импортного производства напрямую от производителей и с крупнейших мировых складов;
- Поставка более 17-ти миллионов наименований электронных компонентов;
- Поставка сложных, дефицитных, либо снятых с производства позиций;
- Оперативные сроки поставки под заказ (от 5 рабочих дней);
- Экспресс доставка в любую точку России;
- Техническая поддержка проекта, помощь в подборе аналогов, поставка прототипов;
- Система менеджмента качества сертифицирована по Международному стандарту ISO 9001;
- Лицензия ФСБ на осуществление работ с использованием сведений, составляющих государственную тайну;
- Поставка специализированных компонентов (Xilinx, Altera, Analog Devices, Intersil, Interpoint, Microsemi, Aeroflex, Peregrine, Syfer, Eurofarad, Texas Instrument, Miteq, Cobham, E2V, MA-COM, Hittite, Mini-Circuits, General Dynamics и др.);

Помимо этого, одним из направлений компании «ЭлектроПласт» является направление «Источники питания». Мы предлагаем Вам помощь Конструкторского отдела:

- Подбор оптимального решения, техническое обоснование при выборе компонента;
- Подбор аналогов;
- Консультации по применению компонента;
- Поставка образцов и прототипов;
- Техническая поддержка проекта;
- Защита от снятия компонента с производства.



#### Как с нами связаться

**Телефон:** 8 (812) 309 58 32 (многоканальный)

**Факс:** 8 (812) 320-02-42

**Электронная почта:** [org@eplast1.ru](mailto:org@eplast1.ru)

**Адрес:** 198099, г. Санкт-Петербург, ул. Калинина, дом 2, корпус 4, литера А.