

### Features and Benefits

- Wide operating voltage range from 3.5V to 24V
- Very high magnetic sensitivity
- CMOS technology
- Chopper-stabilized amplifier stage
- Low current consumption
- Open drain output
- AEC-Q100 Qualified
- Thin SOT23 3L and flat TO-92 3L
- both RoHS Compliant packages

### Applications

- Automotive, Consumer and Industrial
- Solid-state switch
- Brushless DC motor commutation
- Speed detection
- Linear position detection
- Angular position detection
- Proximity detection

### Ordering information

| Product code | Temperature Code | Package Code | Option code | Packing form code |
|--------------|------------------|--------------|-------------|-------------------|
| US2882       | E                | SE           | AAA-000     | RE                |
| US2882       | E                | UA           | AAA-000     | BU                |
| US2882       | K                | SE           | AAA-000     | RE                |
| US2882       | K                | UA           | AAA-000     | BU                |
| US2882       | L                | SE           | AAA-000     | RE                |
| US2882       | L                | UA           | AAA-000     | BU                |

#### Legend:

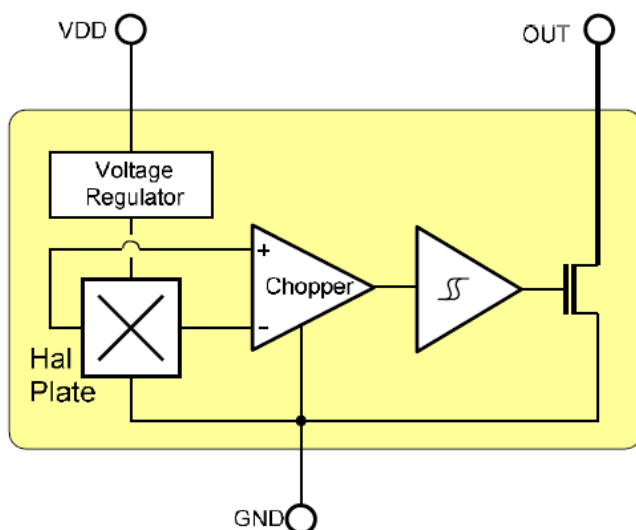
Temperature code: L(-40 to 150°C)  
 E(-40 to 85°C)  
 K (-40 to 125°C)

Package Code: SE = TSOT-23L  
 UA = TO92-3L

Packing Form: BU = Bulk  
 RE = Reel

Ordering Example: US2882ESE-AAA-000-RE

### 1. Functional Diagram



### 2. General Description

The Melexis US2882 is a bipolar Hall-effect switch designed in mixed signal CMOS technology.

The device integrates a voltage regulator, Hall sensor with dynamic offset cancellation system, Schmitt trigger and an open-drain output driver, all in a single package.

Thanks to its wide operating voltage range and extended choice of temperature range, it is suitable for use in automotive and consumer applications.

The device is delivered in a Thin Small Outline Transistor (TSOT) for surface mount process and in a Plastic Single In Line (TO-92 flat) for through-hole mount. Both 3-lead packages are RoHS compliant.

## Contents

|  |           |
|--|-----------|
| <b>1. Functional Diagram</b> .....   | <b>1</b>  |
| <b>2. General Description</b> .....  | <b>1</b>  |
| <b>3. Glossary of Terms</b> .....  | <b>3</b>  |
| <b>4. Absolute Maximum Ratings</b> .....   | <b>3</b>  |
| <b>5. Pin Definitions and Descriptions</b> .....   | <b>3</b>  |
| <b>6. General Electrical Specifications</b> .....  | <b>4</b>  |
| <b>7. Magnetic Specifications</b> .....  | <b>4</b>  |
| <b>8. Output Behaviour versus Magnetic Pole</b> .....  | <b>4</b>  |
| <b>9. Detailed General Description</b> .....   | <b>5</b>  |
| <b>10. Unique Features</b> .....   | <b>5</b>  |
| <b>11. Performance Graphs</b> .....  | <b>6</b>  |
| 11.1. Magnetic parameters vs. $T_A$ .....  | 6         |
| 11.2. Magnetic parameters vs. $V_{DD}$ .....   | 6         |
| 11.3. $V_{DSon}$ vs. $T_A$ .....   | 6         |
| 11.4. $V_{DSon}$ vs. $V_{DD}$ .....  | 6         |
| 11.5. $I_{DD}$ vs. $T_A$ .....   | 6         |
| 11.6. $I_{DD}$ vs. $V_{DD}$ .....  | 6         |
| 11.7. $I_{OFF}$ vs. $T_A$ .....  | 7         |
| 11.8. $I_{OFF}$ vs. $V_{DD}$ .....   | 7         |
| <b>12. Test Conditions</b> .....   | <b>7</b>  |
| 12.1. Supply Current.....  | 7         |
| 12.2. Output Saturation Voltage .....  | 7         |
| 12.3. Output Leakage Current .....   | 7         |
| 12.4. Magnetic Thresholds .....  | 7         |
| <b>13. Application Information</b> .....   | <b>8</b>  |
| 13.1. Typical Three-Wire Application Circuit .....   | 8         |
| 13.2. Two-Wire Circuit.....  | 8         |
| 13.3. Automotive and Harsh, Noisy Environments Three-Wire Circuit.....   | 8         |
| <b>14. Application Comments</b> .....  | <b>8</b>  |
| <b>15. Standard information regarding manufacturability of Melexis products with different soldering processes</b> ..... | <b>9</b>  |
| <b>16. ESD Precautions</b> .....   | <b>9</b>  |
| <b>17. Package Information</b> .....   | <b>10</b> |
| 17.1. SE Package (TSOT-3L) .....   | 10        |
| 17.2. UA Package (TO-92 flat).....   | 11        |
| <b>18. Contact</b> .....   | <b>12</b> |
| <b>19. Disclaimer</b> .....  | <b>12</b> |

### 3. Glossary of Terms

|                        |   |
|------------------------|---|
| MilliTesla (mT), Gauss | Units of magnetic flux density:<br>1mT = 10 Gauss   |
| RoHS                   | Restriction of Hazardous Substances   |
| TSOT                   | Thin Small Outline Transistor (TSOT package) – also referred with the Melexis package code “SE” |
| ESD                    | Electro-Static Discharge  |
| BLDC                   | Brush-Less Direct-Current   |

### 4. Absolute Maximum Ratings

| Parameter                    | Symbol    | Value      | Units |
|------------------------------|-----------|------------|-------|
| Supply Voltage               | $V_{DD}$  | 28         | V     |
| Supply Current               | $I_{DD}$  | 50         | mA    |
| Output Voltage               | $V_{OUT}$ | 28         | V     |
| Output Current               | $I_{OUT}$ | 50         | mA    |
| Storage Temperature Range    | $T_S$     | -50 to 150 | °C    |
| Maximum Junction Temperature | $T_J$     | 165        | °C    |

Table 1: Absolute maximum ratings

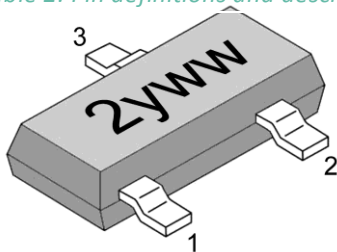
Exceeding the absolute maximum ratings may cause permanent damage. Exposure to absolute-maximum- rated conditions for extended periods may affect device reliability.

| Operating Temperature Range | Symbol | Value      | Units |
|-----------------------------|--------|------------|-------|
| Temperature Suffix “E”      | $T_A$  | -40 to 85  | °C    |
| Temperature Suffix “L”      | $T_A$  | -40 to 150 | °C    |

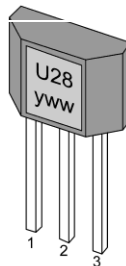
### 5. Pin Definitions and Descriptions

| SE Pin No | UA Pin No | Name | Type   | Function              |
|-----------|-----------|------|--------|-----------------------|
| 1         | 1         | VDD  | Supply | Supply Voltage pin    |
| 2         | 3         | OUT  | Output | Open Drain Output pin |
| 3         | 2         | GND  | Ground | Ground pin            |

Table 2: Pin definitions and descriptions



SE package



UA package

## 6. General Electrical Specifications

DC Operating Parameters  $T_A = 25^\circ\text{C}$ ,  $V_{DD} = 3.5\text{V to } 24\text{V}$  (unless otherwise specified)

| Parameter                     | Symbol     | Test Conditions                               | Min | Typ  | Max | Units              |
|-------------------------------|------------|---|-----|------|-----|--------------------|
| Supply Voltage                | $V_{DD}$   | Operating                                     | 3.5 | 12   | 24  | V                  |
| Supply Current                | $I_{DD}$   | $B < B_{RP}$                                  | 1.1 | 2.6  | 5   | mA                 |
| Output Saturation Voltage     | $V_{DSon}$ | $I_{OUT} = 20\text{mA}$ , $B > B_{OP}$        |     | 0.11 | 0.5 | V                  |
| Output Leakage Current        | $I_{OFF}$  | $B < B_{RP}$ , $V_{OUT} = 24\text{V}$         |     | 0.01 | 10  | $\mu\text{A}$      |
| Output Rise Time              | $t_r$      | $R_L = 1\text{k}\Omega$ , $C_L = 20\text{pF}$ |     | 0.25 |     | $\mu\text{s}$      |
| Output Fall Time              | $t_f$      | $R_L = 1\text{k}\Omega$ , $C_L = 20\text{pF}$ |     | 0.25 |     | $\mu\text{s}$      |
| Maximum Switching Frequency   | $F_{SW}$   |   |     | 10   |     | kHz                |
| SE Package Thermal Resistance | $R_{TH}$   | Single layer (1S) Jedec board                 |     | 301  |     | $^\circ\text{C/W}$ |
| UA Package Thermal Resistance | $R_{TH}$   |   |     | 200  |     | $^\circ\text{C/W}$ |

Table 3: Electrical specifications

## 7. Magnetic Specifications

DC Operating Parameters  $V_{DD} = 3.5\text{V to } 24\text{V}$  (unless otherwise specified)

| Parameter       | Symbol     | Test Conditions                                   | Min  | Typ | Max | Units |
|-----------------|------------|---|------|-----|-----|-------|
| Operating Point | $B_{OP}$   | E spec. ( $T_A \text{ max} = 85^\circ\text{C}$ )  | -3   |     | 6   | mT    |
| Release Point   | $B_{RP}$   |   | -6   |     | 3   | mT    |
| Hysteresis      | $B_{HYST}$ |   | 1.5  |     | 6   | mT    |
| Operating Point | $B_{OP}$   | L spec. ( $T_A \text{ max} = 150^\circ\text{C}$ ) | -3.5 |     | 6   | mT    |
| Release Point   | $B_{RP}$   |   | -6   |     | 3.5 | mT    |
| Hysteresis      | $B_{HYST}$ |   | 1.5  |     | 6   | mT    |

Table 4: Magnetic specifications

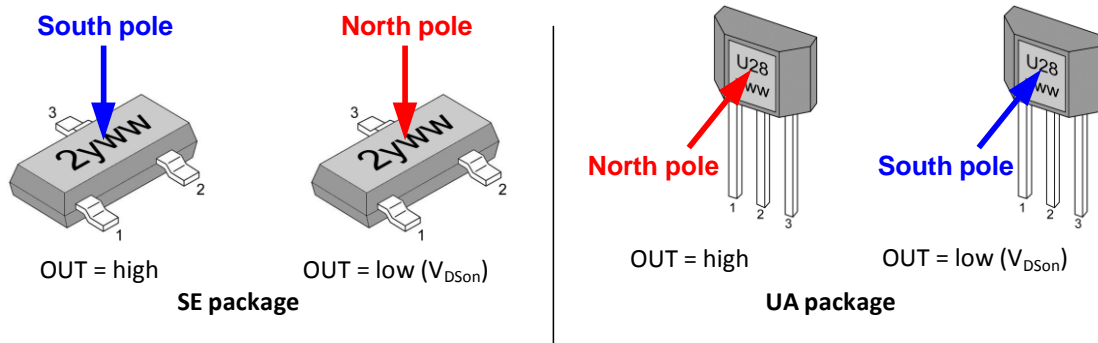
Note: For typical values, please refer to the performance graphs in section 11

## 8. Output Behaviour versus Magnetic Pole

DC Operating Parameters  $T_A = -40\text{C to } 150\text{C}$ ,  $V_{DD} = 3.5\text{V to } 24\text{V}$  (unless otherwise specified)

| Parameter  | Test Conditions (SE) | OUT (SE) | Test Conditions (UA) | OUT(UA) |
|------------|----------------------|----------|----------------------|---------|
| South pole | $B < B_{RP}$         | High     | $B > B_{OP}$         | Low     |
| North pole | $B > B_{OP}$         | Low      | $B < B_{RP}$         | High    |

Table 5: Output behaviour versus magnetic pole



## 9. Detailed General Description

Based on mixed signal CMOS technology, Melexis US2882 is a Hall-effect device with very high magnetic sensitivity. It allows using generic magnets, weak magnets or larger air gap.

The chopper-stabilized amplifier uses switched capacitor technique to suppress the offset generally observed with Hall sensors and amplifiers. The CMOS technology makes this advanced technique possible and contributes to smaller chip size and lower current consumption than bipolar technology. The small chip size is also an important factor to minimize the effect of physical stress.

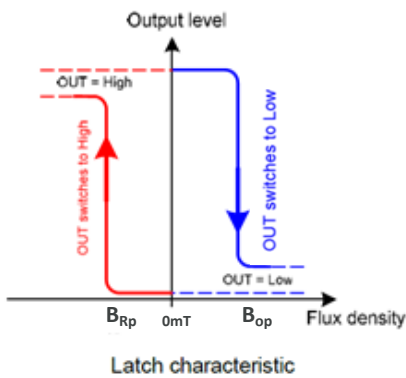
This combination results in more stable magnetic characteristics and enables faster and more precise design.

The wide operating voltage from 3.5V to 24V, “L” and “E” operating temperature range and low current consumption make this device especially suitable for automotive and BLDC motor applications.

The output signal is open-drain type. Such output allows simple connectivity with TTL or CMOS logic by using a pull-up resistor tied between a pull-up voltage and the device output.

## 10. Unique Features

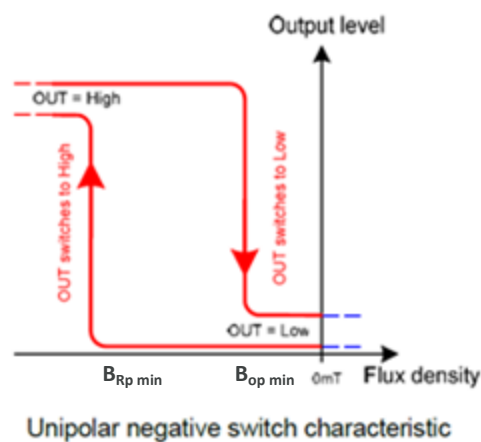
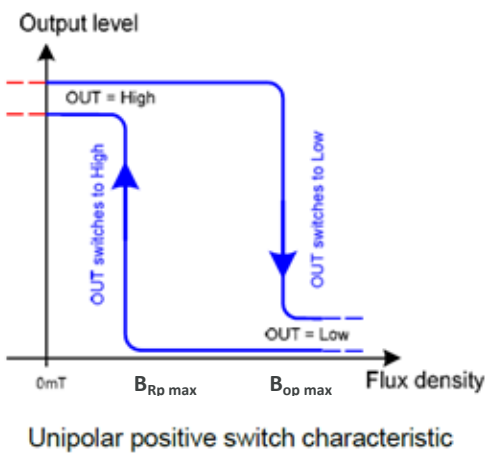
The US2882 exhibits bipolar magnetic switching characteristics. Therefore, it operates with both south and north poles.



Typically, the device behaves as a latch with symmetric operating and release switching points ( $B_{Op} = |B_{Rp}|$ ). This means magnetic fields with equivalent strength and opposite direction drive the output high and low.

Removing the magnetic field ( $B \rightarrow 0$ ) keeps the output in its previous state. This latching property defines the device as a magnetic memory.

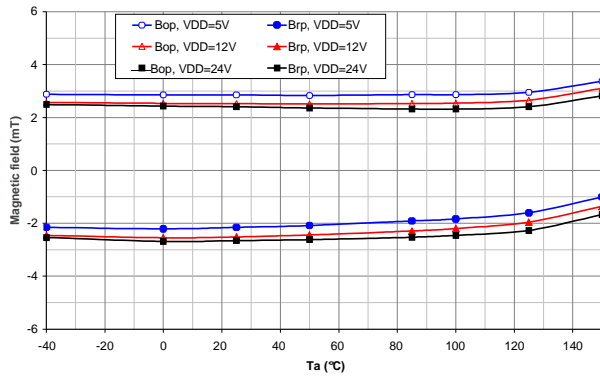
Depending on the magnetic switching points, the device may also behave as a unipolar positive switch ( $B_{Op}$  and  $B_{Rp}$  strictly positive) or negative switch ( $B_{Op}$  and  $B_{Rp}$  strictly negative). That is the output can be set high and low by only using one magnetic pole. In such case, removing the magnetic field changes the output level.



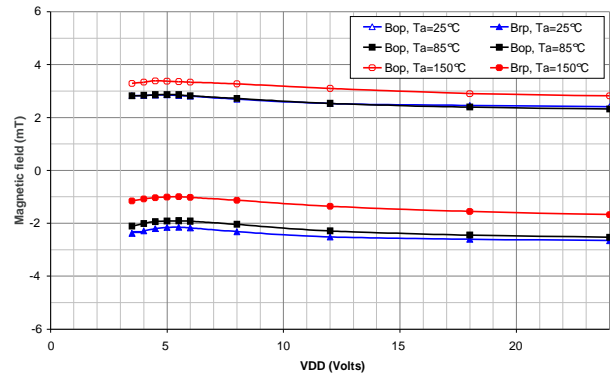
In latch, positive or negative switch behaviour, a magnetic hysteresis  $B_{Hyst}$  keeps  $B_{Op}$  and  $B_{Rp}$  separated by a minimal value. This hysteresis prevents output oscillation near the switching point.

## 11. Performance Graphs

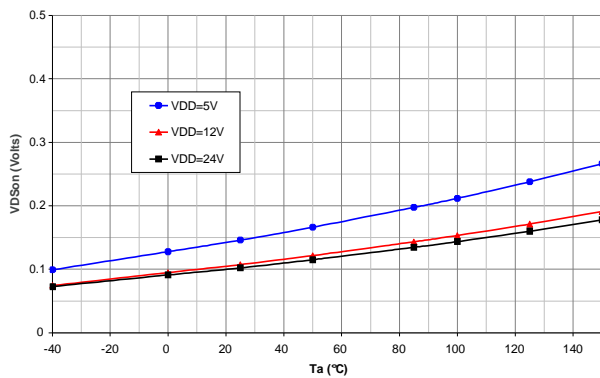
### 11.1. Magnetic parameters vs. $T_A$



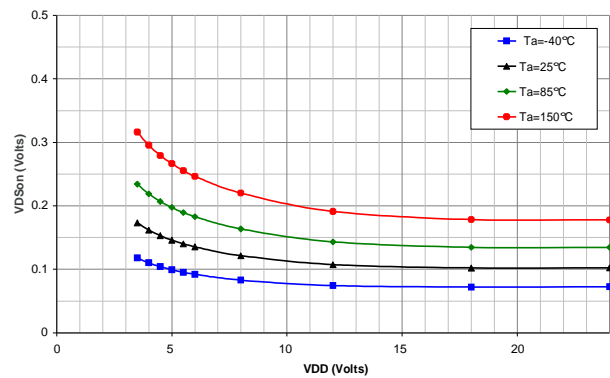
### 11.2. Magnetic parameters vs. $V_{DD}$



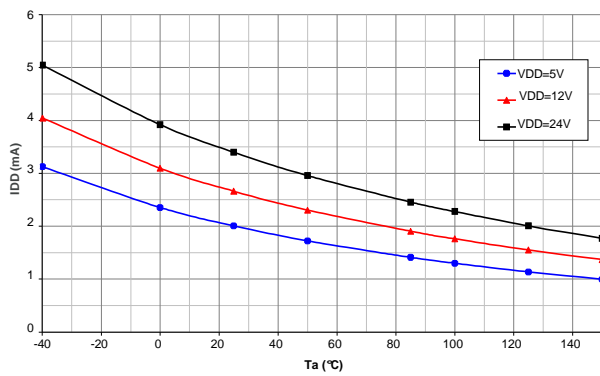
### 11.3. $V_{Dson}$ vs. $T_A$



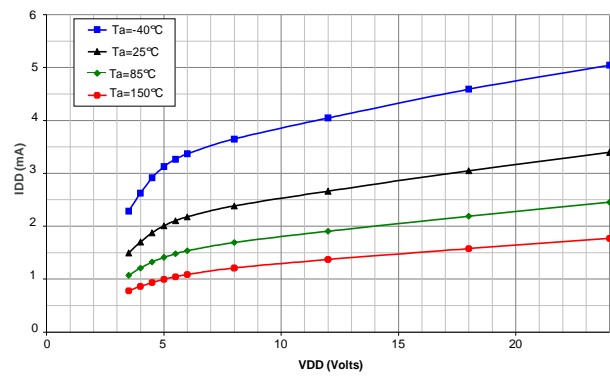
### 11.4. $V_{Dson}$ vs. $V_{DD}$



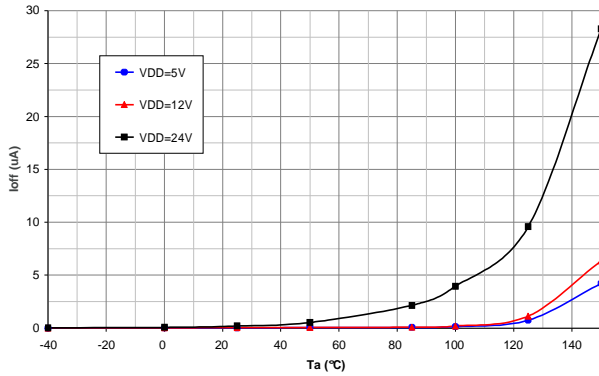
### 11.5. $I_{DD}$ vs. $T_A$



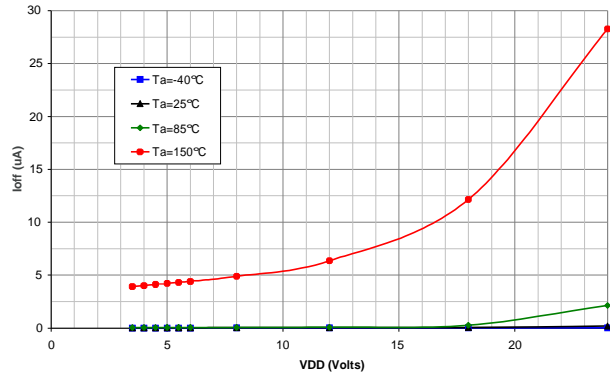
### 11.6. $I_{DD}$ vs. $V_{DD}$



### 11.7. $I_{OFF}$ vs. $T_A$



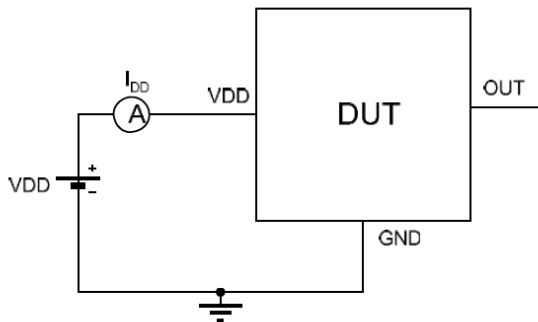
### 11.8. $I_{OFF}$ vs. $V_{DD}$



## 12. Test Conditions

Note : DUT = Device Under Test

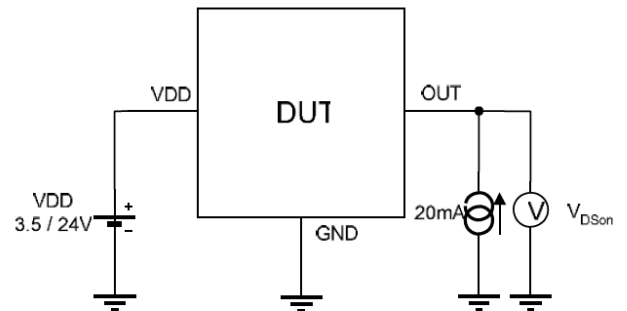
### 12.1. Supply Current



Note 1 - The supply current  $I_{DD}$  represents the static supply current. OUT is left open during measurement.

Note 2 - The device is put under magnetic field with  $B < B_{RP}$ .

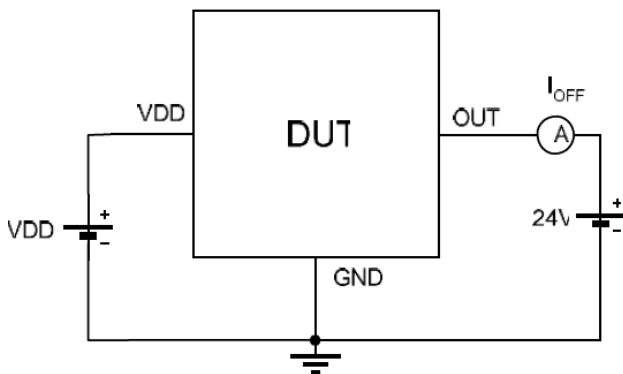
### 12.2. Output Saturation Voltage



Note 1 - The output saturation voltage  $V_{DS(on)}$  is measured at  $V_{DD} = 3.5V$  and  $V_{DD} = 24V$

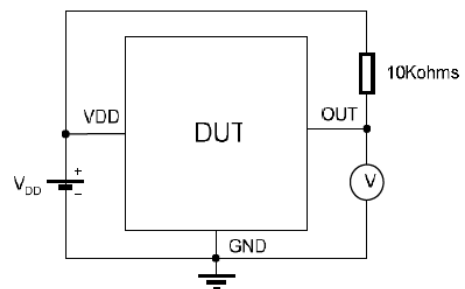
Note 2 - The device is put under magnetic field with  $B > B_{Op}$ .

### 12.3. Output Leakage Current



Note 1 - The device is put under magnetic field with  $B < B_{RP}$

### 12.4. Magnetic Thresholds

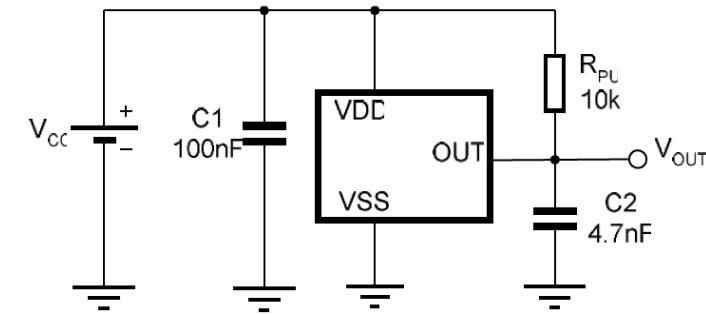


Note 1 -  $B_{Op}$  is determined by putting the device under magnetic field swept from  $E_{RFmin}$  up to  $B_{OPmax}$  until the output is switched on.

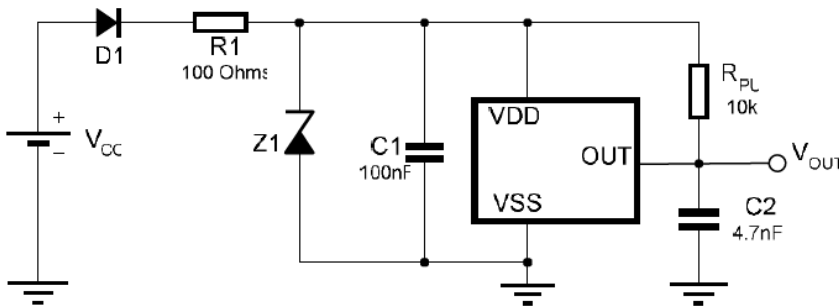
Note 2 -  $B_{Rp}$  is determined by putting the device under magnetic field swept from  $E_{OPmax}$  down to  $B_{RPmin}$  until the output is switched off.

## 13. Application Information

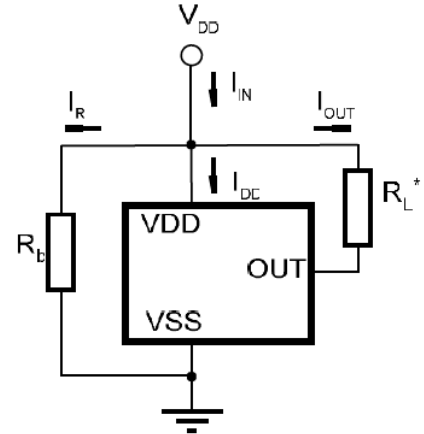
### 13.1. Typical Three-Wire Application Circuit



### 13.3. Automotive and Harsh, Noisy Environments Three-Wire Circuit



### 13.2. Two-Wire Circuit



Note:

With this circuit, precise ON and OFF currents can be detected using only two connecting wires.

The resistors  $R_L$  and  $R_b$  can be used to bias the input current. Refer to the part specifications for limiting values.

$$B_{RP}: I_{OFF} = I_R + I_{DD} = V_{DD}/R_b + I_{DD}$$

$$B_{OP}: I_{ON} = I_{OFF} + I_{OUT} = I_{OFF} + V_{DD}/R_L$$

## 14. Application Comments

For proper operation, a 100nF bypass capacitor should be placed as close as possible to the device between the  $V_{DD}$  and ground pin.

For reverse voltage protection, it is recommended to connect a resistor or a diode in series with the  $V_{DD}$  pin. When using a resistor, three points are important:

- the resistor has to limit the reverse current to 50mA maximum ( $V_{CC} / R1 \leq 50\text{mA}$ )
- the resulting device supply voltage  $V_{DD}$  has to be higher than  $V_{DD\text{ min}}$  ( $V_{DD} = V_{CC} - R1 \cdot I_{DD}$ )
- the resistor has to withstand the power dissipated in reverse voltage condition ( $P_D = V_{CC}^2 / R1$ )

When using a diode, a reverse current cannot flow and the voltage drop is almost constant ( $\approx 0.7\text{V}$ ).

Therefore, a 100 $\Omega$ /0.25W resistor for 5V application and a diode for higher supply voltage are recommended. Both solutions provide the required reverse voltage protection.

When a weak power supply is used or when the device is intended to be used in noisy environment, it is recommended that figure 13.3 from the Application Information section is used.

The low-pass filter formed by  $R1$  and  $C1$  and the zener diode  $Z1$  bypass the disturbances or voltage spikes occurring on the device supply voltage  $V_{DD}$ . The diode  $D1$  provides additional reverse voltage protection.



## 15. Standard information regarding manufacturability of Melexis products with different soldering processes

Our products are classified and qualified regarding soldering technology, solderability and moisture sensitivity level according to following test methods:

### Reflow Soldering SMD's (Surface Mount Devices)

- IPC/JEDEC J-STD-020  
Moisture/Reflow Sensitivity Classification for Nonhermetic Solid State Surface Mount Devices (classification reflow profiles according to table 5-2)
- EIA/JEDEC JESD22-A113  
Preconditioning of Nonhermetic Surface Mount Devices Prior to Reliability Testing (reflow profiles according to table 2)

### Wave Soldering SMD's (Surface Mount Devices) and THD's (Through Hole Devices)

- EN60749-20  
Resistance of plastic- encapsulated SMD's to combined effect of moisture and soldering heat
- EIA/JEDEC JESD22-B106 and EN60749-15  
Resistance to soldering temperature for through-hole mounted devices

### Iron Soldering THD's (Through Hole Devices)

- EN60749-15  
Resistance to soldering temperature for through-hole mounted devices

### Solderability SMD's (Surface Mount Devices) and THD's (Through Hole Devices)

- EIA/JEDEC JESD22-B102 and EN60749-21  
Solderability

For all soldering technologies deviating from above mentioned standard conditions (regarding peak temperature, temperature gradient, temperature profile etc) additional classification and qualification tests have to be agreed upon with Melexis.

The application of Wave Soldering for SMD's is allowed only after consulting Melexis regarding assurance of adhesive strength between device and board.

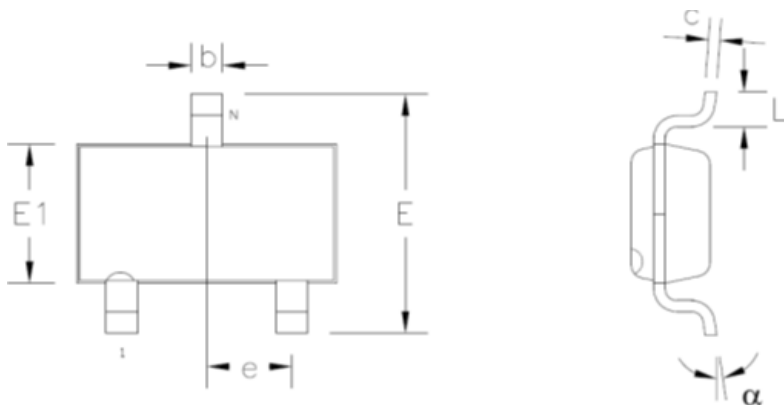
Melexis is contributing to global environmental conservation by promoting **lead free** solutions. For more information on qualifications of **RoHS** compliant products (RoHS = European directive on the Restriction Of the use of certain Hazardous Substances) please visit the quality page on our website: <http://www.melexis.com/quality.aspx>

## 16. ESD Precautions

Electronic semiconductor products are sensitive to Electro Static Discharge (ESD).  
Always observe Electro Static Discharge control procedures whenever handling semiconductor products.

## 17. Package Information

### 17.1. SE Package (TSOT-3L)



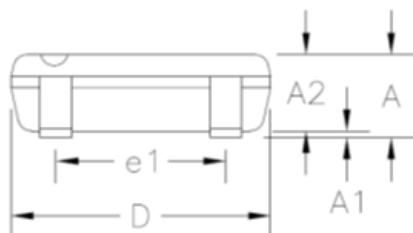
**Notes:**

1. Dimension "D" and "E1" do not include mold flash or protrusions. Mold flash or protrusion shall not exceed 0.15mm on "D" and 0.25mm on "E" per side.
2. Dimension "b" does not include dambar protrusion.

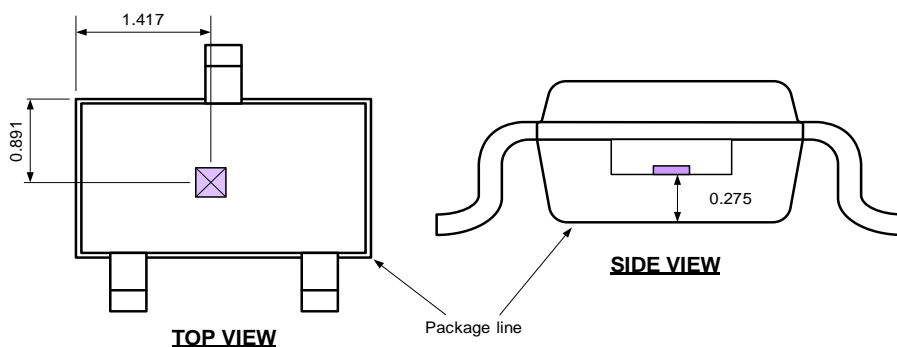
**Marking:**

Top side :2yww

2 = part number (US2882)  
y = last digit of year  
ww = calendar week



#### Hall plate location



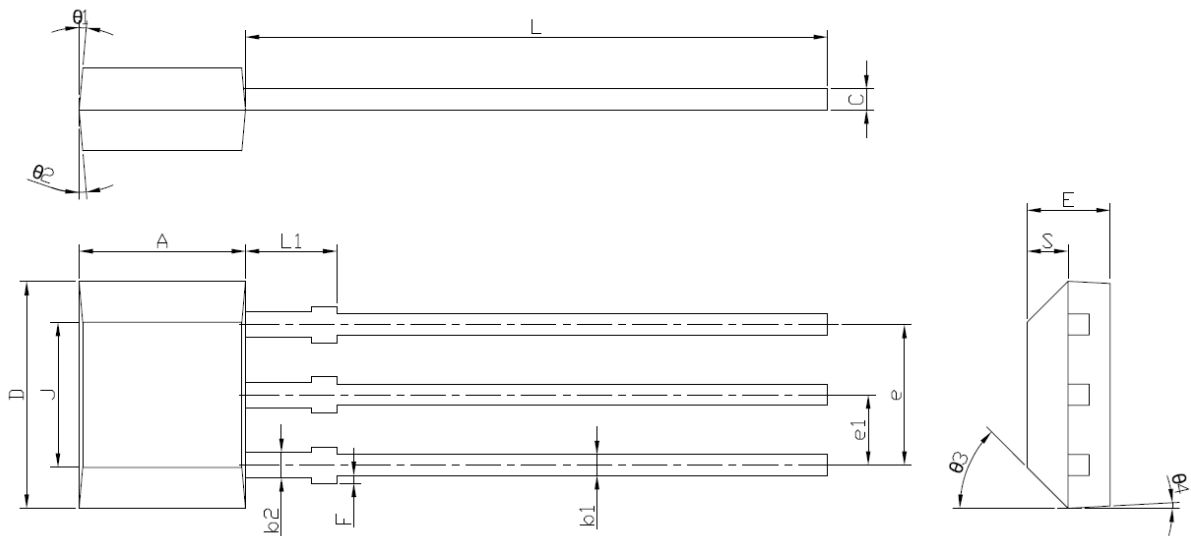
**Notes:**

1. All dimensions are in millimeters

This table in mm

|     | A    | A1    | A2   | D    | E    | E1   | L    | b    | c    | e    | e1   | $\alpha$ |
|-----|------|-------|------|------|------|------|------|------|------|------|------|----------|
| min | –    | 0.025 | 0.85 | 2.80 | 2.60 | 1.50 | 0.30 | 0.30 | 0.10 | 0.95 | 1.90 | 0°       |
| max | 1.00 | 0.10  | 0.90 | 3.00 | 3.00 | 1.70 | 0.50 | 0.45 | 0.20 | BSC  | BSC  | 8°       |

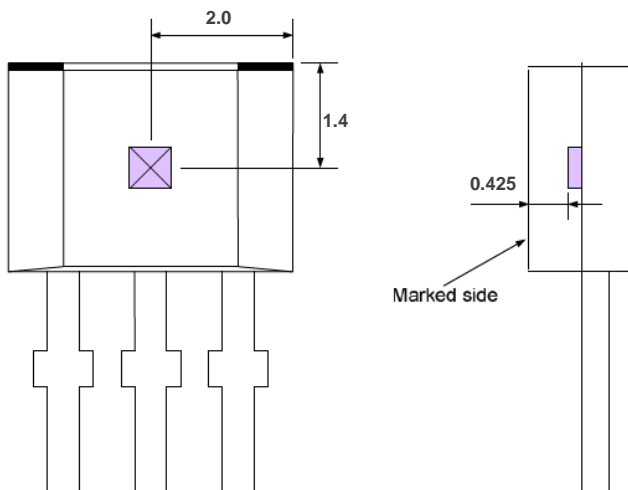
## 17.2. UA Package (TO-92 flat)



**Notes:**

1. Mold flashes and protrusion are not included.
2. Gate burrs shall not exceed 0.127mm on the top side.

### Hall plate location



**Notes:**

1. All dimensions are in millimeters

**Marking:**

1<sup>st</sup> Line : U28 - Part number (US2881)

2<sup>nd</sup> Line : yww

y - last digit of year  
ww - calendar week

This table in mm

|     | A          | D          | E          | F          | J    | L    | L1   | S    | b1   | b2   | c    | e    | e1   |
|-----|------------|------------|------------|------------|------|------|------|------|------|------|------|------|------|
| min | 2.80       | 3.90       | 1.40       | 0.00       | 2.51 | 14.0 | 1.55 | 0.63 | 0.35 | 0.43 | 0.35 | 2.51 | 1.24 |
| max | 3.20       | 4.30       | 1.60       | 0.20       | 2.72 | 15.0 | 1.75 | 0.84 | 0.44 | 0.52 | 0.44 | 2.57 | 1.30 |
|     | $\theta 1$ | $\theta 2$ | $\theta 3$ | $\theta 4$ |      |      |      |      |      |      |      |      |      |
| min | 5°         | 5°         | 45°        | 3°         |      |      |      |      |      |      |      |      |      |
| max | MAX        | REF        | REF        | REF        |      |      |      |      |      |      |      |      |      |

## 18. Contact

For the latest version of this document, go to our website at [www.melexis.com](http://www.melexis.com).

For additional information, please contact our Direct Sales team and get help for your specific needs:

|                |                                  |
|----------------|----------------------------------|
| Europe, Africa | Telephone: +32 13 67 04 95       |
|                | Email : sales_europe@melexis.com |
| Americas       | Telephone: +1 603 223 2362       |
|                | Email : sales_usa@melexis.com    |
| Asia           | Email : sales_asia@melexis.com   |

## 19. Disclaimer

*The information furnished by Melexis herein ("Information") is believed to be correct and accurate. Melexis disclaims (i) any and all liability in connection with or arising out of the furnishing, performance or use of the technical data or use of the product(s) as described herein ("Product") (ii) any and all liability, including without limitation, special, consequential or incidental damages, and (iii) any and all warranties, express, statutory, implied, or by description, including warranties of fitness for particular purpose, non-infringement and merchantability. No obligation or liability shall arise or flow out of Melexis' rendering of technical or other services.*

*The Information is provided "as is" and Melexis reserves the right to change the Information at any time and without notice. Therefore, before placing orders and/or prior to designing the Product into a system, users or any third party should obtain the latest version of the relevant information to verify that the information being relied upon is current. Users or any third party must further determine the suitability of the Product for its application, including the level of reliability required and determine whether it is fit for a particular purpose.*

*The Information is proprietary and/or confidential information of Melexis and the use thereof or anything described by the Information does not grant, explicitly or implicitly, to any party any patent rights, licenses, or any other intellectual property rights.*

*This document as well as the Product(s) may be subject to export control regulations. Please be aware that export might require a prior authorization from competent authorities.*

*The Product(s) are intended for use in normal commercial applications. Unless otherwise agreed upon in writing, the Product(s) are not designed, authorized or warranted to be suitable in applications requiring extended temperature range and/or unusual environmental requirements. High reliability applications, such as medical life-support or life-sustaining equipment are specifically not recommended by Melexis.*

*The Product(s) may not be used for the following applications subject to export control regulations: the development, production, processing, operation, maintenance, storage, recognition or proliferation of 1) chemical, biological or nuclear weapons, or for the development, production, maintenance or storage of missiles for such weapons; 2) civil firearms, including spare parts or ammunition for such arms; 3) defense related products, or other material for military use or for law enforcement; 4) any applications that, alone or in combination with other goods, substances or organisms could cause serious harm to persons or goods and that can be used as a means of violence in an armed conflict or any similar violent situation.*

*The Products sold by Melexis are subject to the terms and conditions as specified in the Terms of Sale, which can be found at <https://www.melexis.com/en/legal/terms-and-conditions>.*

*This document supersedes and replaces all prior information regarding the Product(s) and/or previous versions of this document.*

*Melexis NV © - No part of this document may be reproduced without the prior written consent of Melexis. (2016)*

*ISO/TS 16949 and ISO14001 Certified*



Компания «ЭлектроПласт» предлагает заключение долгосрочных отношений при поставках импортных электронных компонентов на взаимовыгодных условиях!

Наши преимущества:

- Оперативные поставки широкого спектра электронных компонентов отечественного и импортного производства напрямую от производителей и с крупнейших мировых складов;
- Поставка более 17-ти миллионов наименований электронных компонентов;
- Поставка сложных, дефицитных, либо снятых с производства позиций;
- Оперативные сроки поставки под заказ (от 5 рабочих дней);
- Экспресс доставка в любую точку России;
- Техническая поддержка проекта, помощь в подборе аналогов, поставка прототипов;
- Система менеджмента качества сертифицирована по Международному стандарту ISO 9001;
- Лицензия ФСБ на осуществление работ с использованием сведений, составляющих государственную тайну;
- Поставка специализированных компонентов (Xilinx, Altera, Analog Devices, Intersil, Interpoint, Microsemi, Aeroflex, Peregrine, Syfer, Eurofarad, Texas Instrument, Miteq, Cobham, E2V, MA-COM, Hittite, Mini-Circuits, General Dynamics и др.);

Помимо этого, одним из направлений компании «ЭлектроПласт» является направление «Источники питания». Мы предлагаем Вам помощь Конструкторского отдела:

- Подбор оптимального решения, техническое обоснование при выборе компонента;
- Подбор аналогов;
- Консультации по применению компонента;
- Поставка образцов и прототипов;
- Техническая поддержка проекта;
- Защита от снятия компонента с производства.



#### Как с нами связаться

**Телефон:** 8 (812) 309 58 32 (многоканальный)

**Факс:** 8 (812) 320-02-42

**Электронная почта:** [org@eplast1.ru](mailto:org@eplast1.ru)

**Адрес:** 198099, г. Санкт-Петербург, ул. Калинина, дом 2, корпус 4, литера А.