

MOTOR DISCONNECT SWITCHES

FEATURES AND BENEFITS:

- One of the smallest 60A switches in the industry with compact design
- Advanced switch technology (use of silver contacts ensures safe and durable operation)
- Across the line, motor starting - up to 75hp/600V
- General Use Rating - 25A to 150A/600V
- Available as rotary switches for extended or direct handle
- Toggle switches
- Non-fused switch
- Interrupting capacity 10kA with back-up fuse
- DIN Rail and panel mount available
- Comprehensive range of accessories includes Door Mounting Kits & Fuse Holder
- Snap on auxiliary contacts
- Enclosed switches with NEMA Type 4x rating

UL508 Listed Manual Motor Controllers

with Disconnecting Means



AC Motor Across-The-Line
AC General Use



EXTENDED / DIRECT HANDLE MOTOR DISCONNECT SWITCH

| | |
|-----------------------------|-----|
| KU/VKA switches | 4-5 |
| Extended Handle Accessories | 6 |
| Direct Handle Accessories | 7 |



TOGGLE HANDLE MOTOR DISCONNECT SWITCH

| | |
|----------------------------------|-------|
| KUE/EVA Switches and Accessories | 10-11 |
|----------------------------------|-------|



ENCLOSED MOTOR DISCONNECT SWITCHES & FUSED ENCLOSED MOTOR DISCONNECT SWITCH (30A)

| | |
|-----------------------------------|-------|
| KEM Switches and Accessories | 12-13 |
| KKVM Fused Switch and Accessories | 13 |

APPLICATION EXAMPLES

| | |
|--|-----|
| | 8-9 |
|--|-----|

Extended/Direct Handle Motor Disconnect Switch



The KU/VKA...N series can be used with extended and direct handles (see page 8-9 for details).



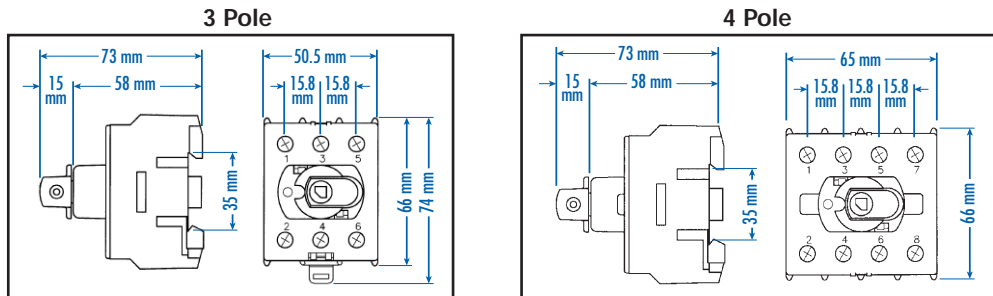
| Catalog Number | KU325N | KU340N | KU363N |
|-------------------------|---------------------|---------------------|---------------------|
| No. of Poles | 3 (4 pole - KU425N) | 3 (4 pole - KU440N) | 3 (4 pole - KU463N) |
| General Purpose Current | 25A | 40A | 60A |
| Maximum Voltage | 600V AC | 600V AC | 600V AC |
| Motor FLA @ 480V AC | 17.5A | 28A | 34A |
| Motor FLA @ 600V AC | 11A | 18A | 27A |

| Horsepower Rating /HP | 1 Phase | | 3 Phase | | 1 Phase | | 3 Phase | | 1 Phase | | 3 Phase | |
|-----------------------|-------------|-----|---------|-----|---------|----|---------|----|---------|----|---------|----|
| | 110-120V AC | 1 | 2 | 2 | 3 | 3 | 5 | 5 | 10 | 5 | 10 | 10 |
| 200V AC | 2 | 5 | 3 | 7.5 | 5 | 10 | 5 | 10 | 5 | 10 | 10 | |
| 208V AC | 2 | 5 | 3 | 7.5 | 5 | 10 | 5 | 10 | 5 | 10 | 10 | |
| 220-240V AC | 3 | 7.5 | 5 | 10 | 7.5 | 10 | 10 | 20 | 15 | 25 | 25 | |
| 265V AC | 3 | 7.5 | 5 | 10 | 7.5 | 10 | 10 | 20 | 15 | 25 | 25 | |
| 277V AC | 3 | 7.5 | 5 | 10 | 7.5 | 10 | 10 | 20 | 15 | 25 | 25 | |
| 380-415V AC | 5 | 10 | 7.5 | 15 | 10 | 20 | 15 | 25 | 15 | 25 | 25 | |
| 440-480V AC | 7.5 | 15 | 10 | 20 | 15 | 25 | 15 | 25 | 15 | 25 | 25 | |
| 550-600V AC | 5 | 10 | 7.5 | 15 | 15 | 25 | 15 | 25 | 15 | 25 | 25 | |

| Short Circuit Withstand Rating at 600 V with Max. Fuse Size/Class: | 10kA | 10kA | 10kA |
|--|------|------|-------------------|
| K5 | 50A | 50A | 60A |
| RK5 | 50A | 50A | 60A (80A@480V AC) |
| RK1 | 80A | 80A | 100A |
| J | 80A | 80A | 100A |

| Terminal Size Acceptability | 14-8AWG | 14-8AWG | 12-4AWG |
|-----------------------------|------------|------------|------------|
| (Cu Conductors only, 75°C) | | | |
| Terminal Torque | 16 lb. in. | 16 lb. in. | 16 lb. in. |

Dimensions
(to convert to inches multiply by 0.03937)



| Weight | 0.172Kg (0.379lb.) (3 pole) 0.215Kg (0.474lb.) (4 pole) | 0.172Kg (0.379lb.) (3 pole) 0.215Kg (0.474lb.) (4 pole) | 0.172Kg (0.379lb.) (3 pole) 0.215Kg (0.474lb.) (4 pole) |
|--------|--|--|--|
|--------|--|--|--|

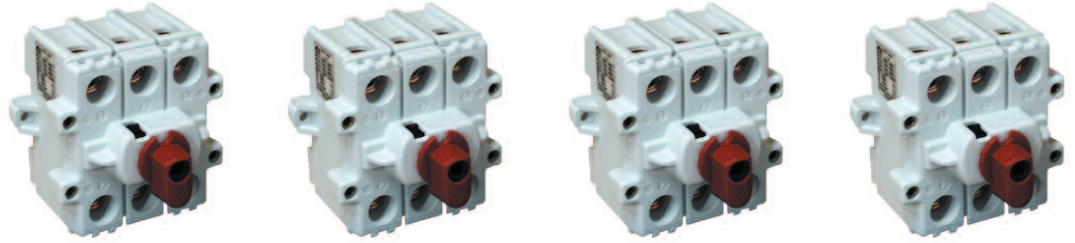
Suitable Accessories

Extended Handle Version/ Door Interlock Mechanism

| Shaft | L1(2,3)00AD11-ST | L1(2,3)00AD11-ST | L1(2,3)00AD11-ST |
|------------------|-----------------------------|-----------------------------|-----------------------------|
| Handles | LK10 (Y/R) UL, LK11 (Y/R) U | LK10 (Y/R) UL, LK11 (Y/R) U | LK10 (Y/R) UL, LK11 (Y/R) U |
| Auxiliary Switch | KU1.V, KU2.V | KU1.V, KU2.V | KU1.V, KU2.V |
| Fuse Holder | — | KV 10x38, KV 10x38 CC | — |

Direct Handle Version

| | | | |
|--------------------|---------------------------------|---------------------------------|---------------------------------|
| Handle for 3 Pole | K/KU3P (Y/R) | K/KU3P (Y/R) | K/KU3P (Y/R) |
| Handle for 4 Pole | K/KU4P (Y/R) | K/KU4P (Y/R) | K/KU4P (Y/R) |
| Door Mounting Kits | OKA0.V (Y/R), OKA/KU LK10 (Y/R) | OKA0.V (Y/R), OKA/KU LK10 (Y/R) | OKA0.V (Y/R), OKA/KU LK10 (Y/R) |



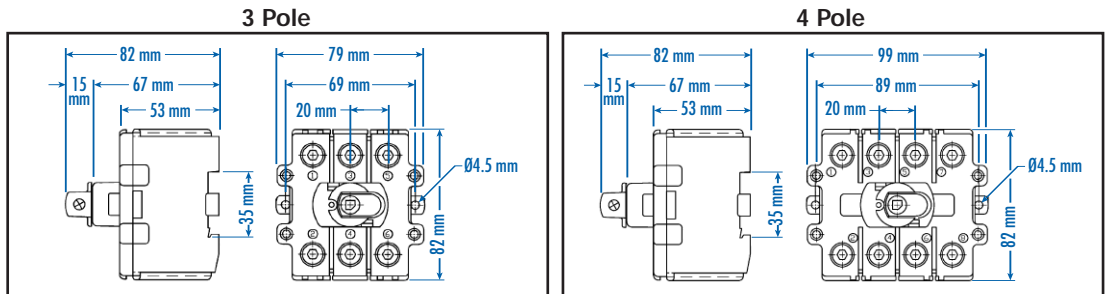
| Catalog Number | VKA380N | VKA3100N | VKA3125N | VKA3160N |
|-------------------------|----------------------|-----------------------|-----------------------|-----------------------|
| No. of Poles | 3 (4 pole - VKA480N) | 3 (4 pole - VKA4100N) | 3 (4 pole - VKA4125N) | 3 (4 pole - VKA4160N) |
| General Purpose Current | 80A | 100A | 125A | 150A |
| Maximum Voltage | 600V AC | 600V AC | 600V AC | 600V AC |
| Motor FLA @ 480V AC | - | - | - | - |
| Motor FLA @ 600V AC | 47A | 54A | 68A | 83A |

| Horsepower Rating /HP | 1 Phase | | 3 Phase | | 1 Phase | | 3 Phase | | 1 Phase | | 3 Phase | |
|-----------------------|---------|-----|---------|-----|---------|----|---------|----|---------|----|---------|----|
| | 3 | 7.5 | 3 | 7.5 | 5 | 10 | 7.5 | 10 | 7.5 | 10 | 25 | 30 |
| 110-120V AC | 3 | 7.5 | 3 | 7.5 | 5 | 10 | 7.5 | 10 | 7.5 | 10 | 25 | 30 |
| 200V AC | 7.5 | 10 | 7.5 | 15 | 10 | 20 | 10 | 20 | 10 | 20 | 25 | 30 |
| 208V AC | 7.5 | 15 | 7.5 | 15 | 10 | 20 | 10 | 20 | 10 | 20 | 25 | 30 |
| 220-240V AC | 7.5 | 15 | 10 | 20 | 15 | 25 | 15 | 25 | 15 | 25 | 30 | 30 |
| 265V AC | 10 | 20 | 10 | 20 | 15 | 25 | 20 | 30 | 20 | 30 | 30 | 30 |
| 277V AC | 10 | 20 | 10 | 20 | 15 | 30 | 20 | 30 | 20 | 30 | 30 | 30 |
| 380-415V AC | 15 | 25 | 15 | 30 | 20 | 40 | 25 | 50 | 25 | 50 | 60 | 60 |
| 440-480V AC | 20 | 30 | 20 | 40 | 25 | 50 | 30 | 60 | 30 | 60 | 60 | 60 |
| 550-600V AC | 25 | 40 | 30 | 50 | 30 | 60 | 40 | 75 | 40 | 75 | 60 | 60 |

| Short Circuit Withstand Rating at 600 V with Max. Fuse Size/Class: | 10kA | | 10kA | | 10kA | | 10kA | |
|--|------|------|------|------|------|------|------|------|
| | 150A | 150A | 150A | 150A | 150A | 150A | 150A | 150A |
| K5 | 150A | 150A | 150A | 150A | 150A | 150A | 150A | 150A |
| RK5 | 150A | 150A | 150A | 150A | 150A | 150A | 150A | 150A |
| RK1 | - | - | - | - | - | - | - | - |
| J | 200A | 200A | 200A | 200A | 200A | 200A | 200A | 200A |

| Terminal Size Acceptability (Cu Conductors only, 75°C) | 4-1/0AWG | 4-1/0AWG | 4-1/0AWG | 4-1/0AWG |
|---|------------|------------|------------|------------|
| Terminal Torque | 50 lb. in. | 50 lb. in. | 50 lb. in. | 50 lb. in. |

Dimensions
(to convert to inches multiply by 0.03937)



| Weight | 0.480Kg (1.058lb.) (3 pole) 0.620Kg (1.367lb.) (4 pole) | 0.480Kg (1.058lb.) (3 pole) 0.620Kg (1.367lb.) (4 pole) | 0.480Kg (1.058lb.) (3 pole) 0.620Kg (1.367lb.) (4 pole) | 0.480Kg (1.058lb.) (3 pole) 0.620Kg (1.367lb.) (4 pole) |
|--------|--|--|--|--|
|--------|--|--|--|--|

Suitable Accessories

**Extended Handle Version/
Door Interlock Mechanism**

| | | | | |
|------------------|-----------------------------|-----------------------------|-----------------------------|-----------------------------|
| Shaft | L1(2.3)00AD11-ST | L1(2.3)00AD11-ST | L1(2.3)00AD11-ST | L1(2.3)00AD11-ST |
| Handles | LK10 (Y/R) UL, LK11 (Y/R) U | LK10 (Y/R) UL, LK11 (Y/R) U | LK10 (Y/R) UL, LK11 (Y/R) U | LK10 (Y/R) UL, LK11 (Y/R) U |
| Auxiliary Switch | VKA1.V, VKA2.V | VKA1.V, VKA2.V | VKA1.V, VKA2.V | VKA1.V, VKA2.V |
| Fuse Holder | - | - | - | - |

Direct Handle Version

| | | | | |
|-----------------------|-----------------|-----------------|-----------------|-----------------|
| Handle for 3 & 4 Pole | K/VKA3-4P (Y/R) | K/VKA3-4P (Y/R) | K/VKA3-4P (Y/R) | K/VKA3-4P (Y/R) |
| Door Mounting Kit | OKAV LK11 (Y/R) | OKAV LK11 (Y/R) | OKAV LK11 (Y/R) | OKAV LK11 (Y/R) |

Extended Handle Accessories

DOOR INTERLOCK HANDLES

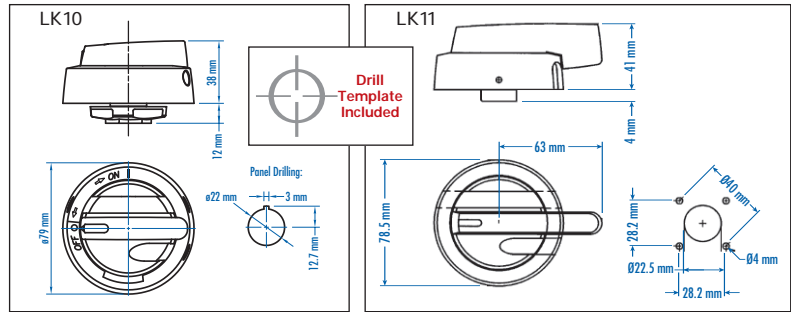
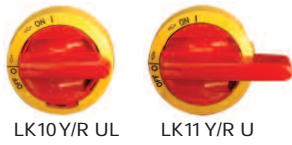
LK10 (Y/R) UL:

- Single hole mounting (22.5mm)
- Defeatable (built-in mechanism)



LK11 (Y/R) U:

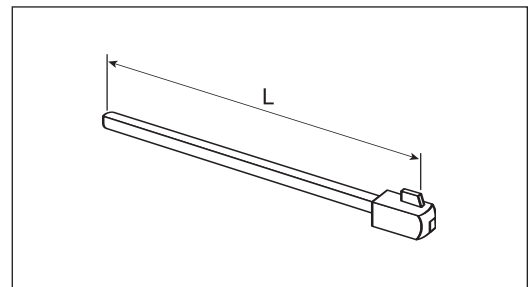
- Retention mechanism (only rotates 90° from off to on, keeps handle in off position while cabinet door is open)
- Defeatable (looses NEMA rating)



| Cat. No. | LK10 UL | LK10Y/R UL | LK11 U | LK11 Y/R U |
|----------------------|--------------------|--------------------|--------------------|--------------------|
| Environmental Rating | NEMA Type 4X, IP66 | NEMA Type 4X, IP66 | NEMA Type 4X, IP67 | NEMA Type 4X, IP67 |
| Color | Black | Yellow/Red | Black | Yellow/Red |

DOOR INTERLOCK SHAFT

The steel shaft ensures reliable operation even in the toughest conditions.



| Cat. No. | L100AD11-ST | L200AD11-ST | L300AD11-ST |
|------------|-------------|-------------|-------------|
| Length (L) | 100mm | 200mm | 300mm |
| Material | Steel | Steel | Steel |

AUXILIARY SWITCHES

The auxiliary switches are the snap-on type and can be retrofitted.



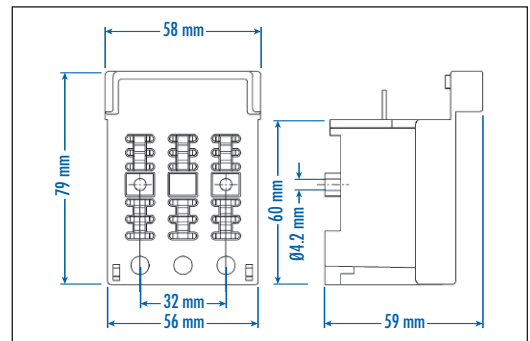
| Cat. No. | KU1.V | KU2.V | VKA1.V | VKA2.V |
|-------------------|-----------------------|-----------------------|-----------------------|-----------------------|
| Electrical Rating | 10A/1/2HP/125-250V AC | 10A/1/2HP/125-250V AC | 10A/1/2HP/125-250V AC | 10A/1/2HP/125-250V AC |
| No. of contacts | 1n.o./1n.c. | 2n.o./2n.c. | 1n.o./1n.c. | 2n.o./2n.c. |
| For Use With | KU models | KU models | VKA models | VKA models |

FUSE HOLDER

This fuseholder can be retrofitted with the KU340N. Therefore design changes can be incorporated with ease to allow a fusible disconnect.



| Cat. No. | KV 10x38 | KV 10x38 CC |
|-------------------|---------------|-------------|
| Electrical Rating | 30A/600V AC | 30A/600V AC |
| Fuse Type | 10x38, Midget | Class CC |
| For Use With | KU340N | KU340N |



Dimensions (to convert to inches multiply by 0.03937)

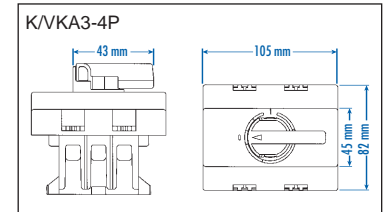
Direct Handle Accessories

DIRECT HANDLES

Improved design with metal shaft. Use for all your "inside the panel" applications.



| | | | | | | |
|---------------------|----------------|----------------|----------------|----------------|-------------------|-------------------|
| Cat. No. | K/KU3P | K/KU3PY/R | K/KU4P | K/KU4PY/R | K/VKA3-4P | K/VKA3-4PY/R |
| Color | Black | Yellow/Red | Black | Yellow/Red | Black | Yellow/Red |
| For use with | KU models (3P) | KU models (3P) | KU models (4P) | KU models (4P) | VKA models (3/4P) | VKA models (3/4P) |



DOOR MOUNTING KITS

Designed for fast and easy assembly.



Shown with switch and display plate. (sold separately)



| | | |
|-----------------------------|----------------|----------------|
| Cat. No. | OKA 0.V | OKA 0.VY/R |
| Environmental Rating | IP65 | IP65 |
| Color | Black | Yellow/Red |
| For use with | KU models (3P) | KU models (3P) |



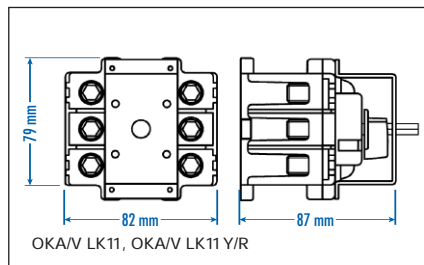
Shown with switch and display plate. (sold separately)



| | | |
|-----------------------------|--------------------|--------------------|
| Cat. No. | OKA/KU LK10 | OKA/KU LK10 Y/R |
| Environmental Rating | NEMA Type 4X, IP66 | NEMA Type 4X, IP66 |
| Color | Black | Yellow/Red |
| For use with | KU models (3P) | KU models (3P) |



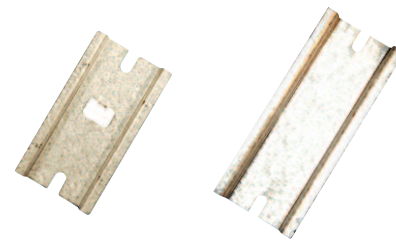
Shown with switch. (sold separately)



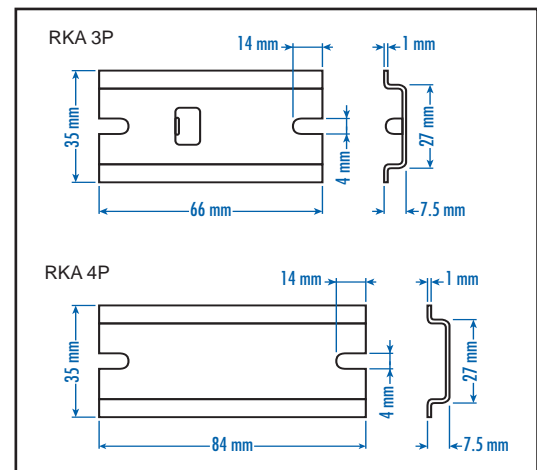
| | | |
|-----------------------------|--------------------|--------------------|
| Cat. No. | OKA/V LK11 | OKA/V LK11 Y/R |
| Environmental Rating | NEMA Type 4X, IP67 | NEMA Type 4X, IP67 |
| Color | Black | Yellow/Red |
| For use with | VKA models (3P) | VKA models (3P) |

MOUNTING ALTERNATIVES - ALUMINUM DIN RAIL

Panel mount option for small Disconnect Switches.



| | | |
|---------------------|--------------|--------------|
| Cat. No. | RKA 3P | RKA 4P |
| For Use With | KU325/40/63N | KU425/40/63N |



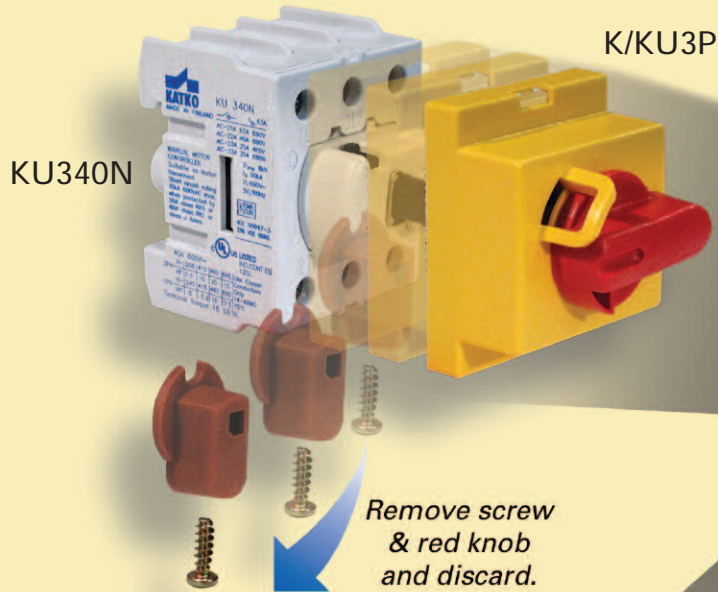
NOTE:

In the rare case that your mounting hardware (screws) for DIN Rail interfere with the enforcement studs in the back of the Motor Disconnect Switch please use smaller ($\leq M3$ or equivalent) flathead screws or change your DIN Rail to the 15mm high version.

Dimensions (to convert to inches multiply by 0.03937)

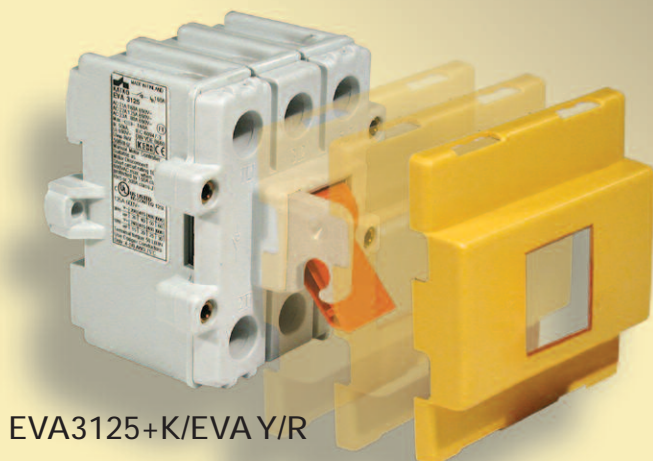
Direct Handle Motor Disconnect Switch

*Used when a switch is required
within a panel.*



Toggle Handle Motor Disconnect Switch

*Used when a switch is required
within a panel.*

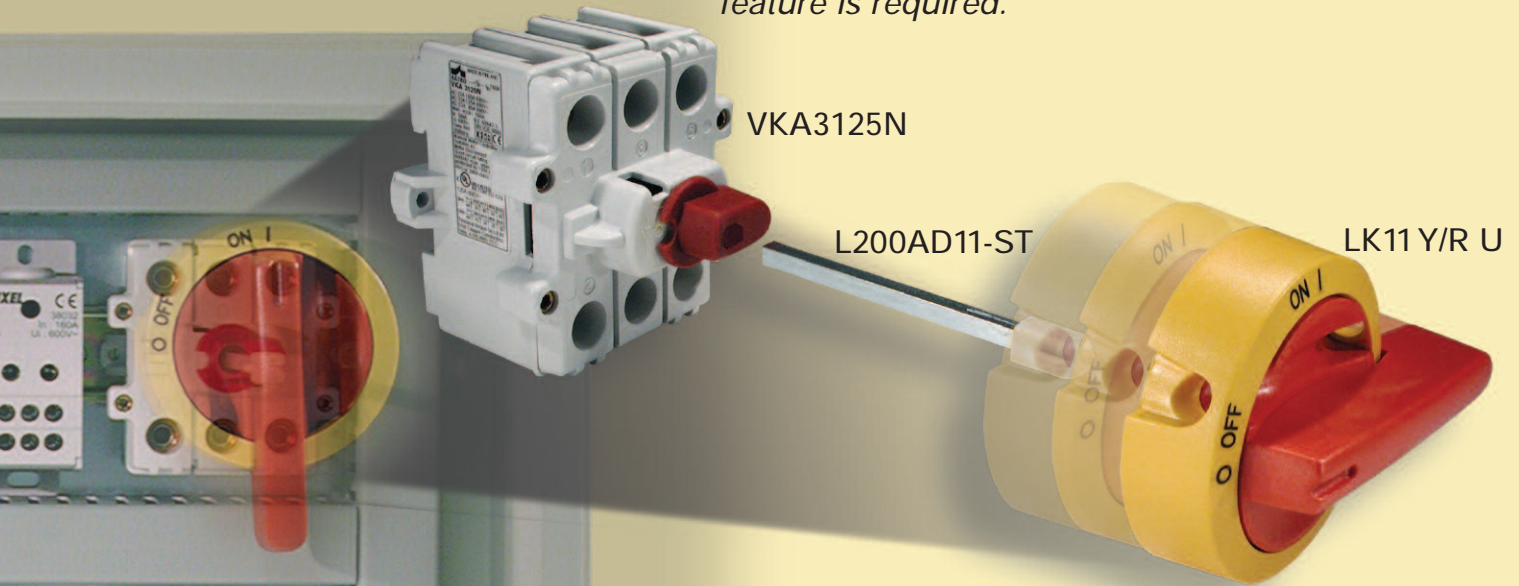


*Altech is a leading supplier
of circuit protection devices
and terminal blocks.*

Application Examples

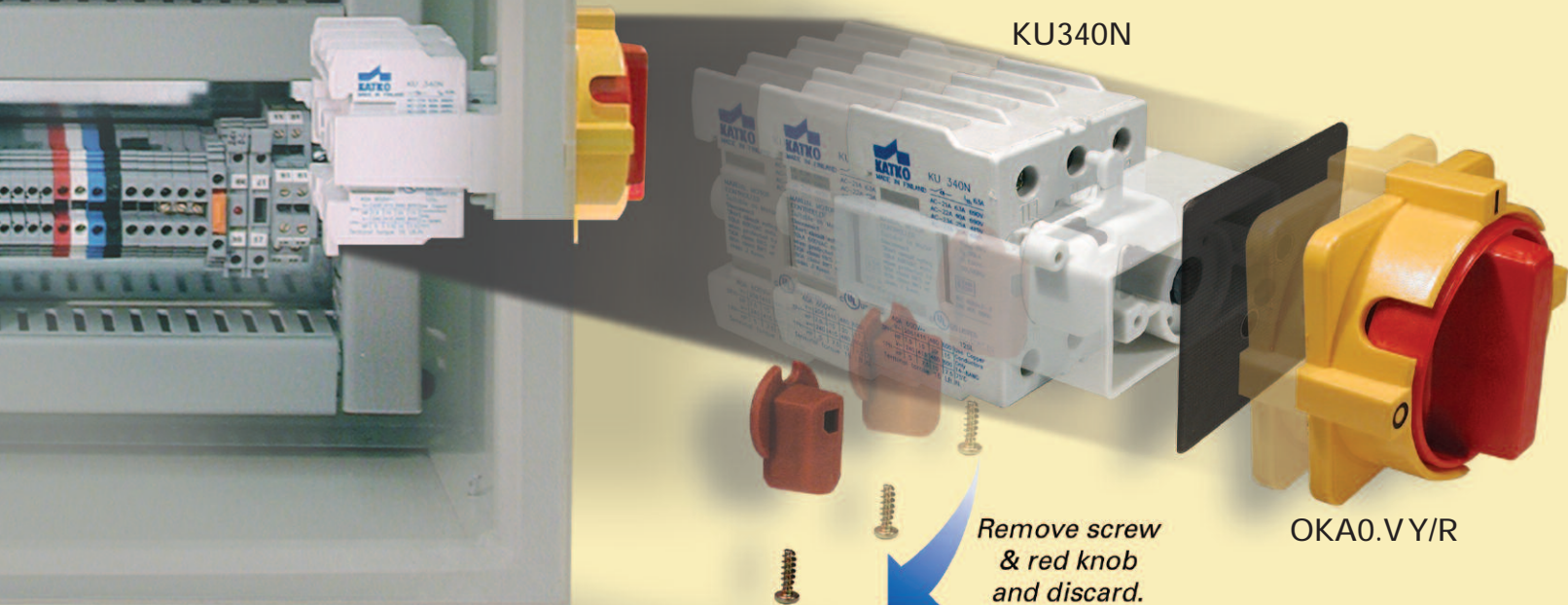
Extended Handle Motor Disconnect Switch

*Used when the door interlocking
feature is required.*



Direct Handle Motor Disconnect Switch with Door Mounting Kit

*Mounted on the door or on
the side of a panel.*



Toggle Handle Motor Disconnect Switch



The KUE series only requires an additional cover plate (see below) which makes the switch IP20 touch proof.



| Catalog Number | KUE325 | KUE340 | KUE363 |
|-------------------------|---------|---------|---------|
| No. of Poles | 3 | 3 | 3 |
| General Purpose Current | 25A | 40A | 60A |
| Maximum Voltage | 600V AC | 600V AC | 600V AC |
| Motor FLA @ 480V AC | 17.5A | 28A | 34A |
| Motor FLA @ 600V AC | 11A | 18A | 27A |

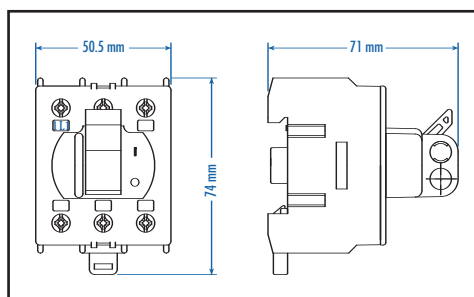
| Horsepower Rating /HP | 1 Phase | 3 Phase | 1 Phase | 3 Phase | 1 Phase | 3 Phase |
|-----------------------|---------|---------|---------|---------|---------|---------|
| 110-120V AC | 1 | 2 | 2 | 3 | 3 | 5 |
| 200V AC | 2 | 5 | 3 | 7.5 | 5 | 10 |
| 208V AC | 2 | 5 | 3 | 7.5 | 5 | 10 |
| 220-240V AC | 3 | 7.5 | 5 | 10 | 5 | 10 |
| 265V AC | 3 | 7.5 | 5 | 10 | 5 | 10 |
| 277V AC | 3 | 7.5 | 5 | 10 | 7.5 | 10 |
| 380-415V AC | 5 | 10 | 7.5 | 15 | 10 | 20 |
| 440-480V AC | 7.5 | 15 | 10 | 20 | 15 | 25 |
| 550-600V AC | 5 | 10 | 7.5 | 15 | 15 | 25 |

| Short Circuit Withstand Rating at 600 V with Max. Fuse Size/Class: | 10kA | 10kA | 10kA |
|--|------|------|-------------------|
| K5 | 50A | 50A | 60A |
| RK5 | 50A | 50A | 60A (80A@480V AC) |
| RK1 | 80A | 80A | 100A |
| J | 80A | 80A | 100A |

| Terminal Size Acceptability (Cu Conductors only, 75°C) | 14-8AWG | 14-8AWG | 12-4AWG |
|---|------------|------------|------------|
| Terminal Torque | 16 lb. in. | 16 lb. in. | 16 lb. in. |

Dimensions

(to convert to inches multiply by 0.03937)



| Weight | 0.172Kg (0.379lb.) | 0.172Kg (0.379lb.) | 0.172Kg (0.379lb.) |
|--------|--------------------|--------------------|--------------------|
|--------|--------------------|--------------------|--------------------|

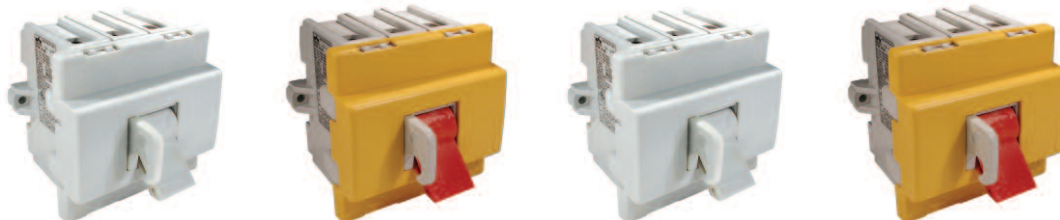
Suitable Accessories

Cover Plate



| Cat. No. | K/KUE | K/KUE Y | R/KUE | R/KUE Y |
|----------|-------------|-------------|----------|----------|
| Color | Grey | Yellow | Grey | Yellow |
| Shape | Rectangular | Rectangular | Circular | Circular |

The EVA series includes a cover plate.



Catalog Number

White Cover/ White Handle
Yellow Cover/ Red Handle

| | EVA380 + K/EVA EVA380 + K/EVA Y/R | EVA3100 + K/EVA EVA3100 + K/EVA Y/R | EVA3125 + K/EVA EVA3125 + K/EVA Y/R | EVA3160 + K/EVA EVA3160 + K/EVA Y/R |
|-------------------------|--------------------------------------|--|--|--|
| No. of Poles | 3 | 3 | 3 | 3 |
| General Purpose Current | 80A | 100A | 125A | 150A |
| Maximum Voltage | 600V AC | 600V AC | 600V AC | 600V AC |
| Motor FLA @ 480V AC | — | — | — | — |
| Motor FLA @ 600V AC | 47A | 54A | 68A | 83A |

Horsepower Rating /HP

| | 1 Phase | 3 Phase | 1 Phase | 3 Phase | 1 Phase | 3 Phase | 1 Phase | 3 Phase |
|-------------|---------|---------|---------|---------|---------|---------|---------|---------|
| 110-120V AC | 3 | 7.5 | 3 | 7.5 | 5 | 10 | 7.5 | 10 |
| 200V AC | 7.5 | 10 | 7.5 | 15 | 10 | 20 | 10 | 25 |
| 208V AC | 7.5 | 15 | 7.5 | 15 | 10 | 20 | 10 | 25 |
| 220-240V AC | 7.5 | 15 | 10 | 20 | 15 | 25 | 15 | 30 |
| 265V AC | 10 | 20 | 10 | 20 | 15 | 25 | 20 | 30 |
| 277V AC | 10 | 20 | 10 | 20 | 15 | 30 | 20 | 30 |
| 380-415V AC | 15 | 25 | 15 | 30 | 20 | 40 | 25 | 50 |
| 440-480V AC | 20 | 30 | 20 | 40 | 25 | 50 | 30 | 60 |
| 550-600V AC | 25 | 40 | 30 | 50 | 30 | 60 | 40 | 75 |

Short Circuit Withstand Rating at 600 V with Max. Fuse Size/Class:

| | 10kA | 10kA | 10kA | 10kA |
|-----|------|------|------|------|
| K5 | 150A | 150A | 150A | 150A |
| RK5 | 150A | 150A | 150A | 150A |
| RK1 | — | — | — | — |
| J | 200A | 200A | 200A | 200A |

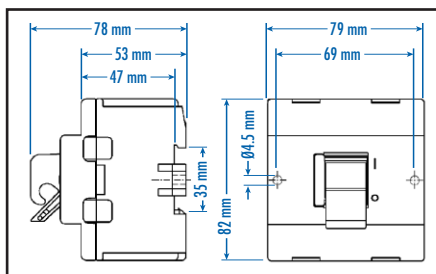
Terminal Size

| Acceptability | 4-1/0AWG | 4-1/0AWG | 4-1/0AWG | 4-1/0AWG |
|----------------------------|----------|----------|----------|----------|
| (Cu Conductors only, 75°C) | | | | |

| Terminal Torque | 50 lb. in. | 50 lb. in. | 50 lb. in. | 50 lb. in. |
|-----------------|------------|------------|------------|------------|
|-----------------|------------|------------|------------|------------|

Dimensions

(to convert to inches multiply by 0.03937)



| Weight | 0.480Kg (1.058lb.) (3 pole) | 0.480Kg (1.058lb.) (3 pole) | 0.480Kg (1.058lb.) (3 pole) | 0.480Kg (1.058lb.) (3 pole) |
|--------|-----------------------------|-----------------------------|-----------------------------|-----------------------------|
|--------|-----------------------------|-----------------------------|-----------------------------|-----------------------------|

Enclosed Motor Disconnect Switch



These enclosed switches can be used locally at the motor.



Catalog Number

| | | | | |
|-------------------------|--------------|--------------|--------------|--------------|
| Black Handle | KEM325UL | KEM340UL | KEM360UL | KEM380UL |
| Yellow/ Red Handle | KEM325UL Y/R | KEM340UL Y/R | KEM360UL Y/R | KEM380UL Y/R |
| No. of Poles | 3* | 3* | 3* | 3* |
| General Purpose Current | 25A | 40A | 60A | 80A |
| Maximum Voltage | 600V AC | 600V AC | 600V AC | 600V AC |
| Motor FLA @ 480V AC | 17.5A | 28A | 34A | - |
| Motor FLA @ 600V AC | 11A | 18A | 27A | 47A |

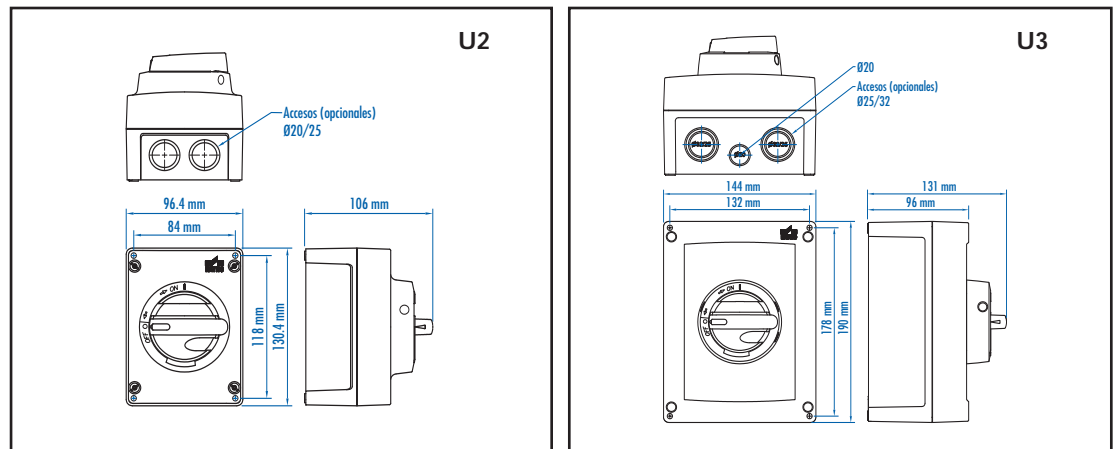
| Horsepower Rating /HP | 1 Phase | | 3 Phase | | 1 Phase | | 3 Phase | | 1 Phase | | 3 Phase | |
|-----------------------|-------------|-----|---------|-----|---------|----|---------|----|---------|----|---------|-----|
| | 110-120V AC | 1 | 2 | 2 | 3 | 3 | 5 | 3 | 7.5 | 3 | 7.5 | 7.5 |
| 200V AC | 2 | 5 | 3 | 7.5 | 5 | 10 | 7.5 | 10 | 7.5 | 10 | 10 | |
| 208V AC | 2 | 5 | 3 | 7.5 | 5 | 10 | 7.5 | 15 | 7.5 | 15 | 15 | |
| 220-240V AC | 3 | 7.5 | 5 | 10 | 5 | 10 | 7.5 | 15 | 7.5 | 15 | 15 | |
| 265V AC | 3 | 7.5 | 5 | 10 | 5 | 10 | 10 | 20 | 10 | 20 | 20 | |
| 277V AC | 3 | 7.5 | 5 | 10 | 7.5 | 10 | 10 | 20 | 10 | 20 | 20 | |
| 380-415V AC | 5 | 10 | 7.5 | 15 | 10 | 20 | 15 | 25 | 15 | 25 | 25 | |
| 440-480V AC | 7.5 | 15 | 10 | 20 | 15 | 25 | 20 | 30 | 20 | 30 | 30 | |
| 550-600V AC | 5 | 10 | 7.5 | 15 | 15 | 25 | 25 | 40 | 25 | 40 | 40 | |

| Short Circuit Withstand Rating at 600 V with Max. Fuse Size/Class: | 10kA | | 10kA | | 10kA | | 10kA | |
|--|------|-----|------|------|-------------------|------|------|------|
| | K5 | 50A | 50A | 50A | 150A | 60A | 150A | 150A |
| RK5 | 50A | 50A | 50A | 150A | 60A (80A@480V AC) | 150A | 150A | 150A |
| RK1 | 80A | 80A | 80A | — | 100A | — | — | — |
| J | 80A | 80A | 80A | 200A | 100A | 200A | 200A | 200A |

| | | | | |
|---|--------------|--------------|--------------|--------------|
| Terminal Size Acceptability (Cu Conductors only, 75°C) | 14-8AWG | 14-8AWG | 12-4AWG | 4-1/0AWG |
| Terminal Torque | 16 lb. in. | 16 lb. in. | 16 lb. in. | 50 lb. in. |
| Environmental Rating | NEMA Type 4X | NEMA Type 4X | NEMA Type 4X | NEMA Type 4X |
| Enclosure Type Used | U2 | U3 | U3 | U3 |

Dimensions

(to convert to inches multiply by 0.03937)



| | | | | |
|--------|-------------------|--------------------|---------------------|---------------------|
| Weight | 0.49kg (1.08 lb.) | 0.72kg (1.587 lb.) | 0.773kg (1.698 lb.) | 1.021kg (2.249 lb.) |
|--------|-------------------|--------------------|---------------------|---------------------|

Suitable Accessories

| | | | | |
|--------------------|--------------|--------------|--------------|----------------|
| Auxiliary Contacts | KU1.V, KU2.V | KU1.V, KU2.V | KU1.V, KU2.V | VKA1.V, VKA2.V |
|--------------------|--------------|--------------|--------------|----------------|

*Also available in 4 pole models. Contact Altech for part numbers.



KEM3100L
KEM3100L Y/R

3*
100A
600V AC
-
54A



KEM3125L
KEM3125L Y/R

3*
125A
600V AC
-
68A



KEM3150L
KEM3150L Y/R

3*
150A
600V AC
-
83A

FUSED



KKVM332, KKVM332CC
KKVM332 Y/R, KKVM332CC Y/R

3
30A
600V AC

| 1 Phase | 3 Phase |
|---------|---------|
| 3 | 7.5 |
| 7.5 | 15 |
| 7.5 | 15 |
| 10 | 20 |
| 10 | 20 |
| 10 | 20 |
| 15 | 30 |
| 20 | 40 |
| 30 | 50 |

| 1 Phase | 3 Phase |
|---------|---------|
| 5 | 10 |
| 10 | 20 |
| 10 | 20 |
| 15 | 25 |
| 15 | 25 |
| 15 | 30 |
| 20 | 40 |
| 30 | 50 |
| 30 | 60 |

| 1 Phase | 3 Phase |
|---------|---------|
| 7.5 | 10 |
| 10 | 25 |
| 10 | 25 |
| 15 | 30 |
| 20 | 30 |
| 20 | 30 |
| 25 | 50 |
| 30 | 60 |
| 40 | 75 |

| Cat. No. | Fuse Type |
|------------------|---------------|
| KKVM 332 (Y/R) | 10x38, Midget |
| KKVM 332CC (Y/R) | Class CC |

10kA
150A
150A
-
200A

10kA
150A
150A
-
200A

10kA
150A
150A
-
200A

10kA
50A
50A
80A
80A

4-1/0AWG

4-1/0AWG

4-1/0AWG

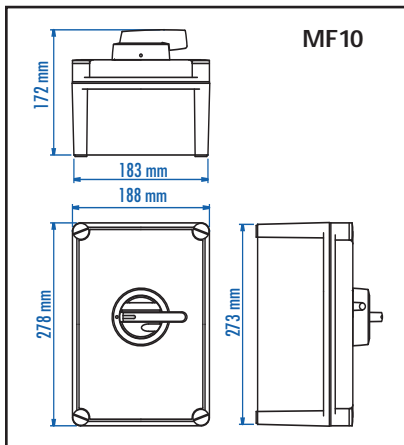
14-8AWG

50 lb. in.
NEMA Type 4X
MF10

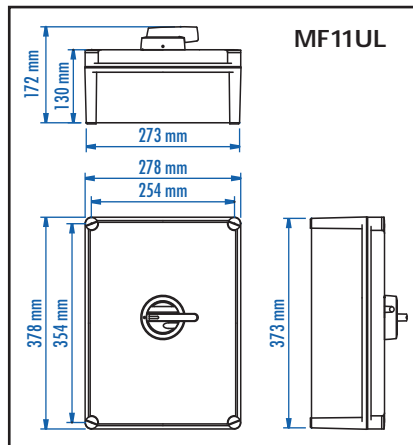
50 lb. in.
NEMA Type 4X
MF10

50 lb. in.
NEMA Type 4X
MF11UL

16 lb. in.
NEMA Type 4X
U3

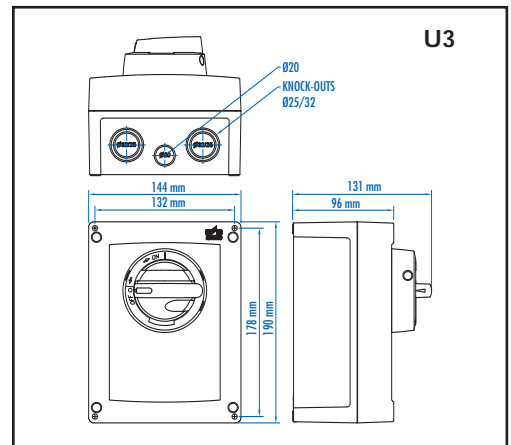


1.9051kg (4.2 lb.)



1.9051kg (4.2 lb.)

2.8351kg (6.25 lb.)



0.998kg (2.2 lb.)

VKA1.V, VKA2.V

VKA1.V, VKA2.V

VKA1.V, VKA2.V

KU1.V, KU2.V

Stainless Steel Enclosed Motor Disconnect Switch



These enclosures are ideal where chemicals are used for cleaning and maintenance such as food processing plants and breweries. Mining is another application area. Their stainless steel construction is extremely resistant to corrosion, and the enclosure is also rated to IP66.



Catalog Number

Black Handle

Yellow/ Red Handle

| |
|-------------------------|
| No. of Poles |
| General Purpose Current |
| Maximum Voltage |
| Motor FLA @ 480V AC |
| Motor FLA @ 600V AC |

KER325UL
KER325UL Y/R

| |
|---------|
| 3* |
| 25A |
| 600V AC |
| 17.5A |
| 11A |

KER340UL
KER340UL Y/R

| |
|---------|
| 3* |
| 40A |
| 600V AC |
| 28A |
| 18A |

Horsepower Rating /HP

| |
|-------------|
| 110-120V AC |
| 200V AC |
| 208V AC |
| 220-240V AC |
| 265V AC |
| 277V AC |
| 380-415V AC |
| 440-480V AC |
| 550-600V AC |

| 1 Phase | 3 Phase |
|---------|---------|
| 1 | 2 |
| 2 | 5 |
| 2 | 5 |
| 3 | 7.5 |
| 3 | 7.5 |
| 3 | 7.5 |
| 5 | 10 |
| 7.5 | 15 |
| 5 | 10 |

| 1 Phase | 3 Phase |
|---------|---------|
| 2 | 3 |
| 3 | 7.5 |
| 3 | 7.5 |
| 5 | 10 |
| 5 | 10 |
| 5 | 10 |
| 7.5 | 15 |
| 10 | 20 |
| 7.5 | 15 |

Short Circuit Withstand Rating at 600 V with Max. Fuse Size/Class:

| |
|-----|
| K5 |
| RK5 |
| RK1 |
| J |

| |
|------|
| 10kA |
| 50A |
| 50A |
| 80A |
| 80A |

| |
|------|
| 10kA |
| 50A |
| 50A |
| 80A |
| 80A |

Terminal Size Acceptability

(Cu Conductors only, 75°C)

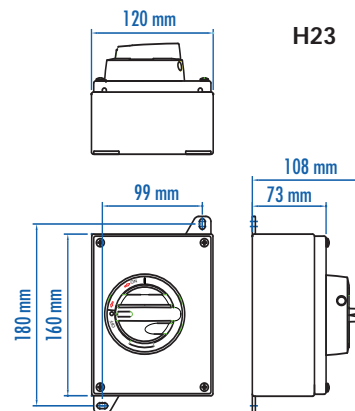
| |
|----------------------|
| Terminal Torque |
| Environmental Rating |
| Enclosure Type Used |

| |
|--------------|
| 14-8AWG |
| 16 lb. in. |
| NEMA Type 4X |
| H23 |

| |
|--------------|
| 14-8AWG |
| 16 lb. in. |
| NEMA Type 4X |
| H23 |

Dimensions

(to convert to inches multiply by 0.03937)



| |
|--------|
| Weight |
|--------|

| |
|------------------|
| 1.2kg (2.646 lb) |
|------------------|

| |
|------------------|
| 1.2kg (2.646 lb) |
|------------------|

Suitable Accessories

| |
|--------------------|
| Auxiliary Contacts |
|--------------------|

| |
|--------------|
| KU1.V, KU2.V |
|--------------|

| |
|--------------|
| KU1.V, KU2.V |
|--------------|

*Also available in 4 pole models. Contact Altech for part numbers.



**KER360UL
KER360UL Y/R**

3*

60A

600V AC

34A

27A

1 Phase 3 Phase

| | |
|-----|----|
| 3 | 5 |
| 5 | 10 |
| 5 | 10 |
| 5 | 10 |
| 5 | 10 |
| 7.5 | 10 |
| 10 | 20 |
| 15 | 25 |
| 15 | 25 |

10kA

60A

60A (80A@480V AC)

100A

100A

12-4AWG

16 lb. in.

NEMA Type 4X

H32

**KER380UL
KER380UL Y/R**

3*

80A

600V AC

-

47A

1 Phase 3 Phase

| | |
|-----|-----|
| 3 | 7.5 |
| 7.5 | 10 |
| 7.5 | 15 |
| 7.5 | 15 |
| 10 | 20 |
| 10 | 20 |
| 15 | 25 |
| 20 | 30 |
| 25 | 40 |

10kA

150A

150A

-

200A

4-1/0AWG

50 lb. in.

NEMA Type 4X

H32

**KER3100UL
KER3100UL Y/R**

3*

100A

600V AC

-

54A

1 Phase 3 Phase

| | |
|-----|-----|
| 3 | 7.5 |
| 7.5 | 15 |
| 7.5 | 15 |
| 10 | 20 |
| 10 | 20 |
| 10 | 20 |
| 15 | 30 |
| 20 | 40 |
| 30 | 50 |

10kA

150A

150A

-

200A

4-1/0AWG

50 lb. in.

NEMA Type 4X

H32

**KER3125UL
KER3125UL Y/R**

3*

125A

600V AC

-

68A

1 Phase 3 Phase

| | |
|----|----|
| 5 | 10 |
| 10 | 20 |
| 10 | 20 |
| 15 | 25 |
| 15 | 25 |
| 15 | 30 |
| 20 | 40 |
| 30 | 50 |
| 30 | 60 |

10kA

150A

150A

-

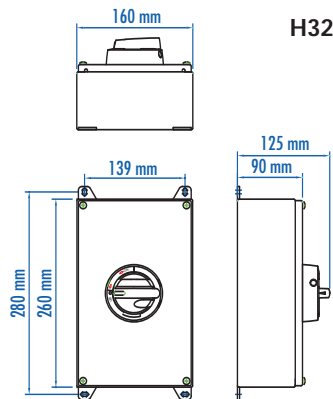
200A

4-1/0AWG

50 lb. in.

NEMA Type 4X

H32



2.3kg (5.071 lb.)

1.021kg (2.249 lb.)

1.9051kg (4.2 lb.)

1.9051kg (4.2 lb.)

KU1.V, KU2.V

VKA1.V, VKA2.V

VKA1.V, VKA2.V

VKA1.V, VKA2.V

Motor Disconnect Switches Index

| Part Number | Page | Part Number | Page |
|---------------------|------|-----------------|------|
| EVA3100 + K/EVA | 11 | KER3125UL | 15 |
| EVA3100 + K/EVA Y/R | 11 | KER3125UL Y/R | 15 |
| EVA3125 + K/EVA | 11 | KKVM322 | 13 |
| EVA3125 + K/EVA Y/R | 11 | KKVM322 Y/R | 13 |
| EVA3160 + K/EVA | 11 | KKVM322CC | 13 |
| EVA3160 + K/EVA Y/R | 11 | KKVM322CC Y/R | 13 |
| EVA380 + K/EVA | 11 | KU1.V | 6 |
| EVA380 + K/EVA Y/R | 11 | KU2.V | 6 |
| K/KU3P | 7 | KU325N | 4 |
| K/KU3P Y/R | 7 | KU340N | 4 |
| K/KU4P | 7 | KU363N | 4 |
| K/KU4P Y/R | 7 | KUE325 | 10 |
| K/KUE | 10 | KUE340 | 10 |
| K/KUE Y | 10 | KUE363 | 10 |
| K/VKA3-4P | 7 | KV 10x38 | 6 |
| K/VKA3-4P Y/R | 7 | KV 10x38 CC | 6 |
| KEM3100L | 13 | L100AD11-ST | 6 |
| KEM3100L Y/R | 13 | L200AD11-ST | 6 |
| KEM3125L | 13 | L300AD11-ST | 6 |
| KEM3125L Y/R | 13 | LK10 UL | 6 |
| KEM3150L | 13 | LK10 Y/R UL | 6 |
| KEM3150L Y/R | 13 | LK11 U | 6 |
| KEM325UL | 12 | LK11 Y/R U | 6 |
| KEM325UL Y/R | 12 | OKA 0.V | 7 |
| KEM340UL | 12 | OKA 0.V Y/R | 7 |
| KEM340UL Y/R | 12 | OKA/KU LK10 | 7 |
| KEM360UL | 12 | OKA/KU LK10 Y/R | 7 |
| KEM360UL Y/R | 12 | OKA/V LK11 | 7 |
| KEM380UL | 12 | OKA/V LK11 Y/R | 7 |
| KEM380UL Y/R | 12 | R/KUE | 10 |
| KER325UL | 14 | R/KUE Y | 10 |
| KER325UL Y/R | 14 | RKA 3P | 7 |
| KER340UL | 14 | RKA 4P | 7 |
| KER340UL Y/R | 14 | VKA1.V | 6 |
| KER360UL | 15 | VKA2.V | 6 |
| KER360UL Y/R | 15 | VKA3100N | 5 |
| KER380UL | 15 | VKA3125N | 5 |
| KER380UL Y/R | 15 | VKA3160N | 5 |
| KER3100UL | 15 | VKA380N | 5 |
| KER3100UL Y/R | 15 | | |



Компания «ЭлектроПласт» предлагает заключение долгосрочных отношений при поставках импортных электронных компонентов на взаимовыгодных условиях!

Наши преимущества:

- Оперативные поставки широкого спектра электронных компонентов отечественного и импортного производства напрямую от производителей и с крупнейших мировых складов;
- Поставка более 17-ти миллионов наименований электронных компонентов;
- Поставка сложных, дефицитных, либо снятых с производства позиций;
- Оперативные сроки поставки под заказ (от 5 рабочих дней);
- Экспресс доставка в любую точку России;
- Техническая поддержка проекта, помощь в подборе аналогов, поставка прототипов;
- Система менеджмента качества сертифицирована по Международному стандарту ISO 9001;
- Лицензия ФСБ на осуществление работ с использованием сведений, составляющих государственную тайну;
- Поставка специализированных компонентов (Xilinx, Altera, Analog Devices, Intersil, Interpoint, Microsemi, Aeroflex, Peregrine, Syfer, Eurofarad, Texas Instrument, Miteq, Cobham, E2V, MA-COM, Hittite, Mini-Circuits, General Dynamics и др.);

Помимо этого, одним из направлений компании «ЭлектроПласт» является направление «Источники питания». Мы предлагаем Вам помощь Конструкторского отдела:

- Подбор оптимального решения, техническое обоснование при выборе компонента;
- Подбор аналогов;
- Консультации по применению компонента;
- Поставка образцов и прототипов;
- Техническая поддержка проекта;
- Защита от снятия компонента с производства.



Как с нами связаться

Телефон: 8 (812) 309 58 32 (многоканальный)

Факс: 8 (812) 320-02-42

Электронная почта: org@eplast1.ru

Адрес: 198099, г. Санкт-Петербург, ул. Калинина, дом 2, корпус 4, литера А.