

SIGNAL LEVEL SENSOR SYSTEM

■ GENERAL DESCRIPTION

The **NJU7181** is a signal level sensor system IC. It sends a High flag to the microprocessor or other equipments whenever it detects the existence of the audio signal.

The **NJU7181** includes a delay circuit which allows the IC continue to hold the flag after the absence of the audio signal. This holding time can be adjusted with external capacitor.

Together with its adjustable Input Sensitivity (*by external resistor*) & its characteristic of low current consumption and low operating voltage, **NJU7181** is suitable for Eco-Design of Energy-using Products and for battery operated applications.

■ PACKAGE OUTLINE



NJU7181RB1
MSOP8 (TVSP8)



NJU7181KU1

■ FEATURES

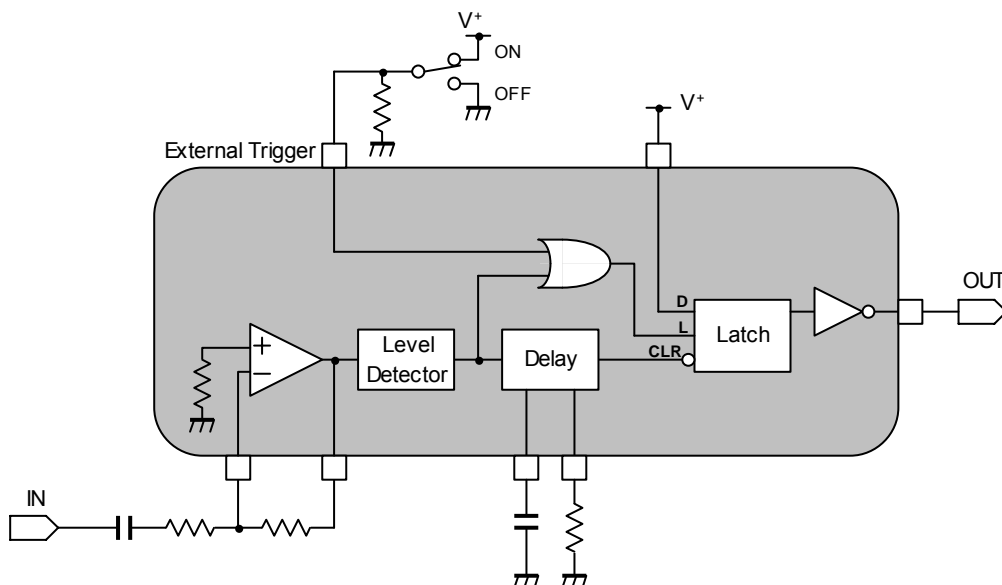
- Operating Voltage 0.9 to 5.5V
- Low Operating Current 55µA typ.
- Delay circuit for long Recovery time
- Adjustable Recovery time by external capacitor
- Adjustable Input Sensitivity by external resistance
- C-MOS Technology
- Package Outline MSOP8 (TVSP8)*
ESON8

*MEET JEDEC MO-187-DA / THIN TYPE

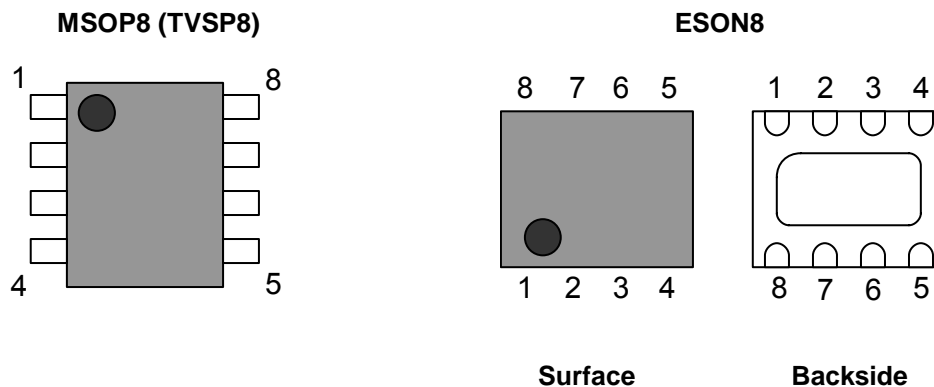
■ APPLICATIONS

- Power Saving for battery operated devices
- Muting Application
- Memory saving for recording devices
- Half- duplex transmission application

■ BLOCK DIAGRAM



■ PIN CONFIGURATION



| No. | Symbol | Function |
|-----|----------------|------------------------|
| 1 | IN | AC Input |
| 2 | AMP_OUT | Amplifier Output |
| 3 | TRIN | External Trigger Input |
| 4 | GND | Ground |
| 5 | CAP_D | Delay Time Capacitor |
| 6 | RES_D | Delay Time Resister |
| 7 | OUT | DC Output |
| 8 | V ⁺ | Supply Voltage |

■ **ABSOLUTE MAXIMUM RATING** (Ta=25°C)

| PARAMETER | SYMBOL | RATING | UNIT |
|-----------------------------|-------------------|--|------|
| Supply Voltage | V ⁺ | +7 | V |
| Power Dissipation | P _D | MSOP8 (TVSP8): 470 (Note1) ESON8: 450 | mW |
| Maximum Input Voltage | V _{IMAX} | 0 ~ V ⁺ (Note2) | V |
| Operating Temperature Range | T _{opr} | -40 ~ +85 | °C |
| Storage Temperature Range | T _{stg} | -40 ~ +125 | °C |

(Note1) EIA/JEDEC STANDARD Test board (76.2x114.3x1.6mm, 2layer, FR-4) mounting

(Note2) Don't put Input Voltage more than Power Supply Voltage.

■ **ELECTRICAL CHARACTERISTICS**

(Ta=25°C, V⁺=3V, R₁=10kΩ, R₂=100kΩ, R_d=220kΩ, C_d=10nF)

| PARAMETER | SYMBOL | TEST CONDITION | MIN. | TYP. | MAX. | UNIT |
|-------------------|---------------------|------------------------------|------|-------|------|------|
| Operating Voltage | V ⁺ | | 0.9 | - | 5.5 | V |
| Operating Current | I _{DD} | No signal, R _L =∞ | - | 55 | 100 | μA |
| Input Sensitivity | V _{INS} | f=1kHz | -45 | -41.5 | -38 | dBV |
| Delay Time 1 | T _{delay1} | | 1.0 | 1.5 | 2.0 | Sec |
| Delay Time 2 | T _{delay2} | V ⁺ =0.9V | 1.0 | 1.5 | 2.0 | Sec |
| Delay Time 3 | T _{delay3} | C _d =10μF | - | 1,500 | - | Sec |

■ **DC CHARACTERISTICS**

DC Output Terminal (7pin)

(Ta=25°C)

| PARAMETER | SYMBOL | TEST CONDITION | MIN. | TYP. | MAX. | UNIT |
|---------------------------|-----------------|--------------------------|---------------------|------|----------------|------|
| High Level Output Voltage | V _{OH} | I _{SOURCE} =1mA | V ⁺ -0.2 | - | V ⁺ | V |
| Low Level Output Voltage | V _{OL} | I _{SINK} =1mA | 0 | - | 0.2 | V |

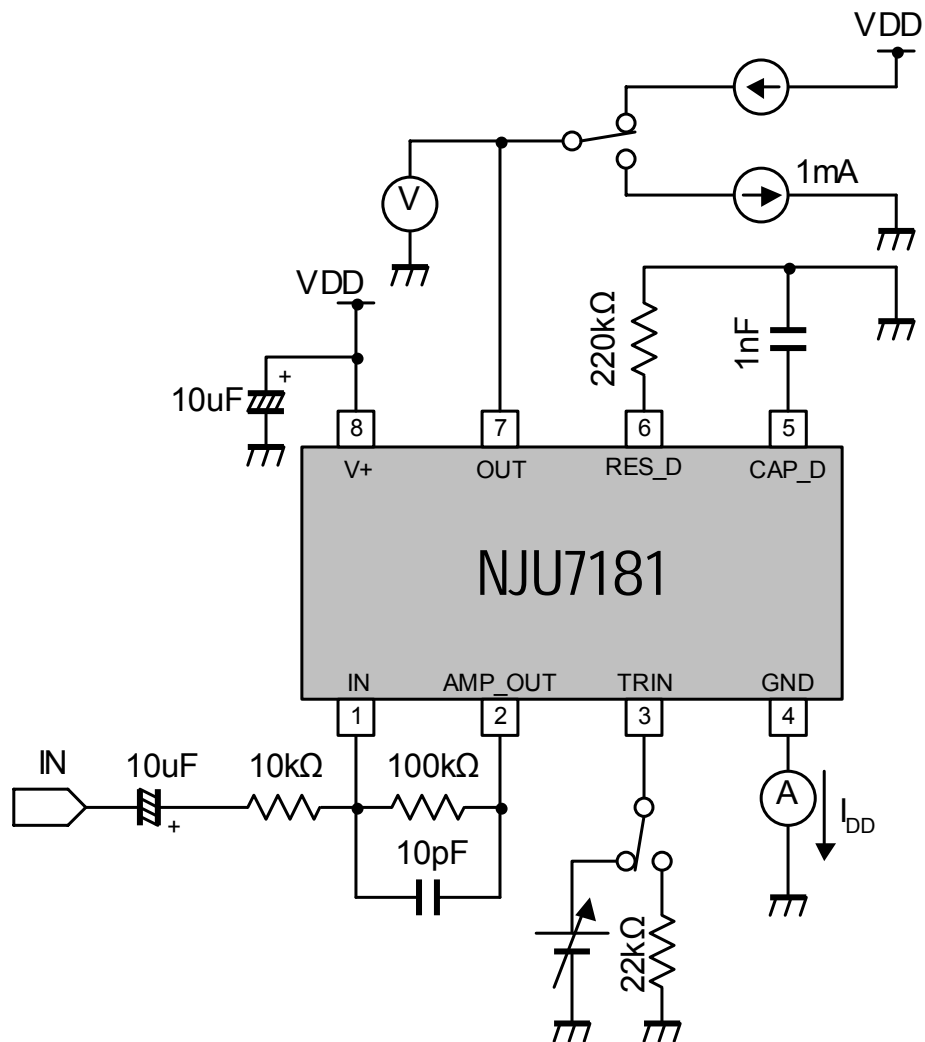
External Trigger Switch Terminal (3pin)

(Ta=25°C)

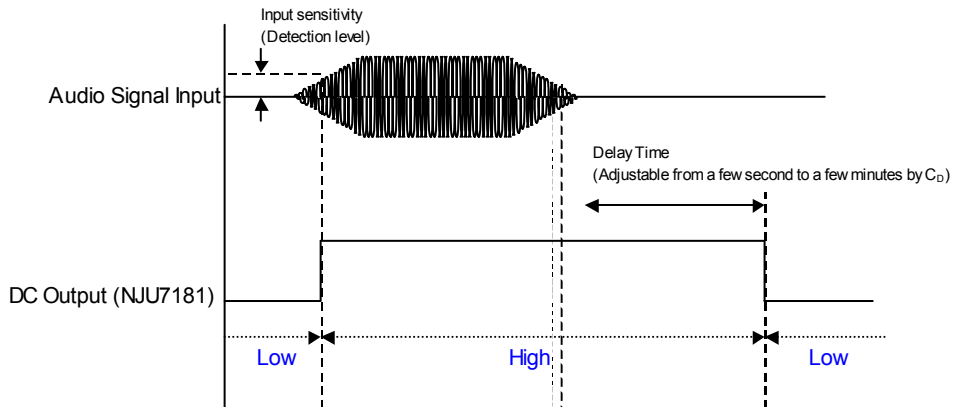
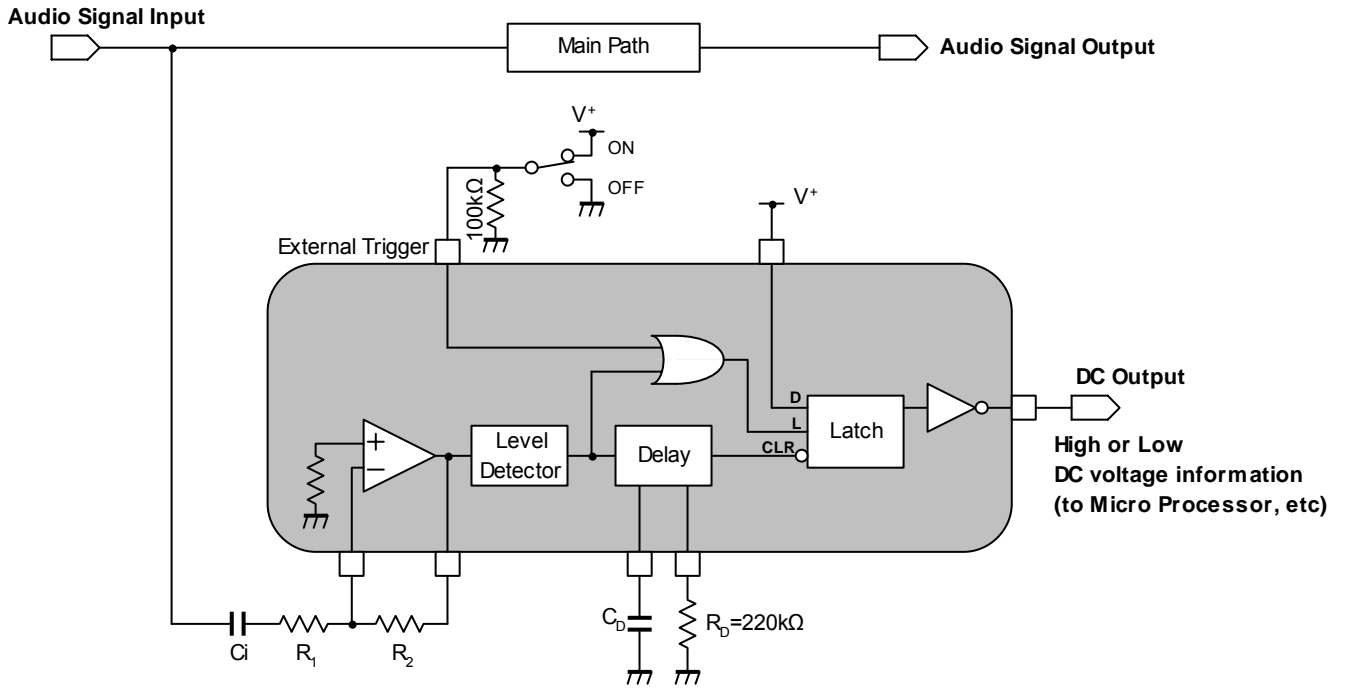
| | | | | | | |
|--------------------------|-----------------|--|---------------------|---|----------------|---|
| High Level Input Voltage | V _{IH} | | V ⁺ -0.2 | - | V ⁺ | V |
| Low Level Input Voltage | V _{IL} | | 0 | - | 0.2 | V |

NJU7181

■ TEST CIRCUIT



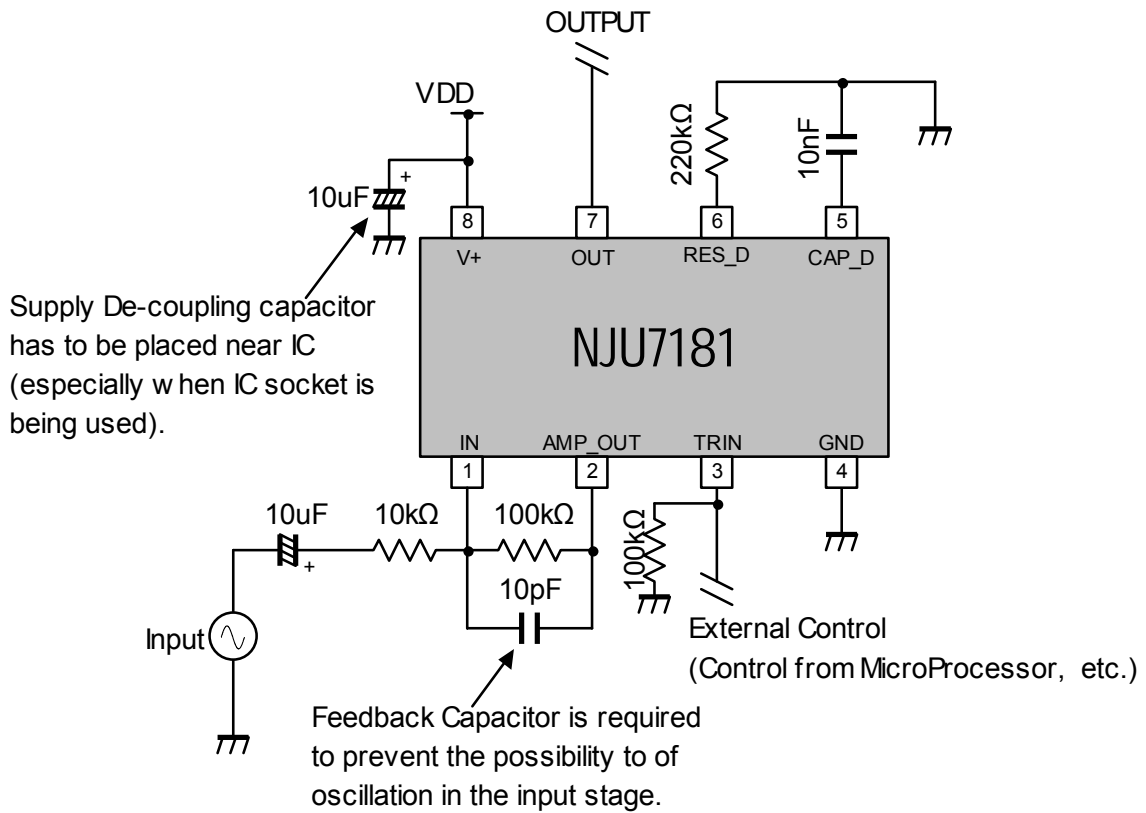
APPLICATION CIRCUIT



Attack Time:



Note:

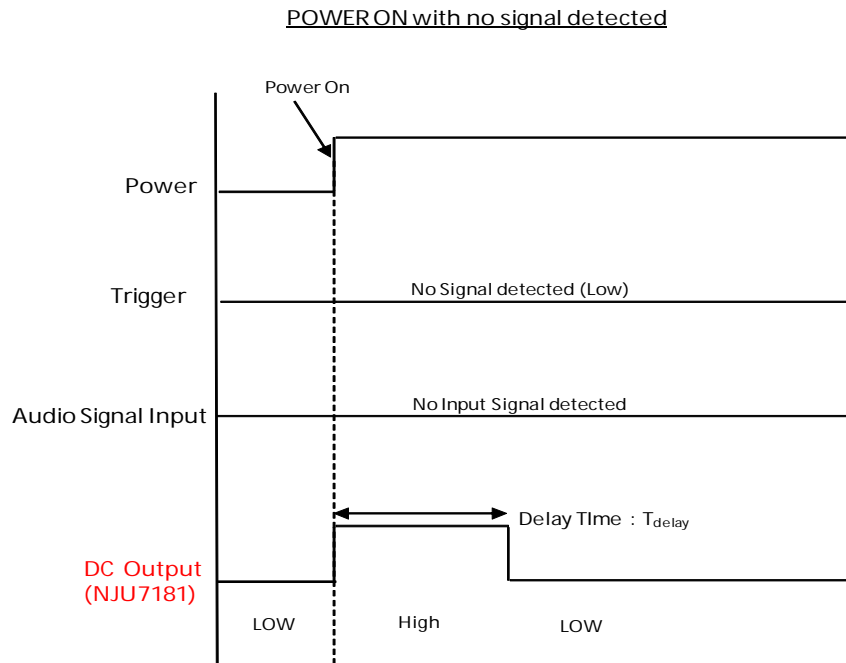


■ APPLICATION NOTE

- **DC Output Waveform Scenario**

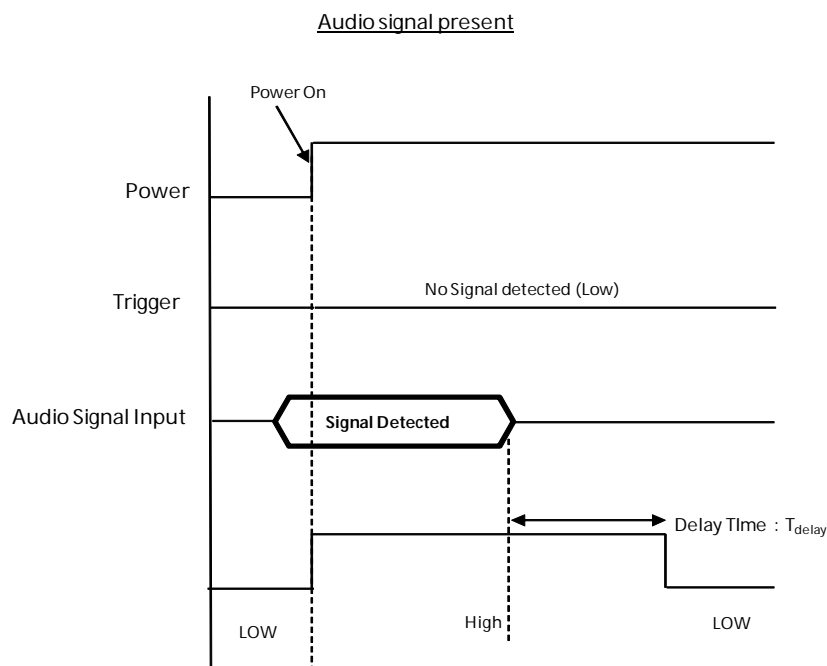
Scenario 1: Power-ON

– Output will be high initially when NJU7181 is first powered up even if there is no input signal detected.



Scenario 2: Only Audio Signal detected

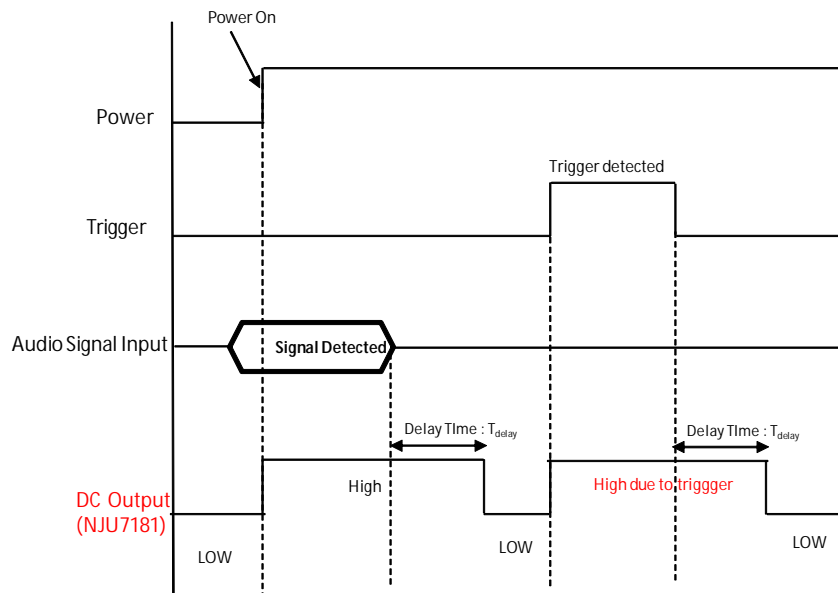
– Output will be or maintain high when **either an input signal or trigger signal is detected**. The delay circuit will only be activated **when both signals is not present**. NJU7181 will then hold the output level for a delay time which can be adjusted by the Capacitor value @ pin 5.



Scenario 3: Trigger Signal detected (Case 1)

– Output will be or maintain high when **either an input signal or trigger signal is detected**. The delay circuit will only be activated **when both signals is not present**. Output is set to Low state when a delay time passes. Output is set to High state when either an input signal or trigger signal is detected again.

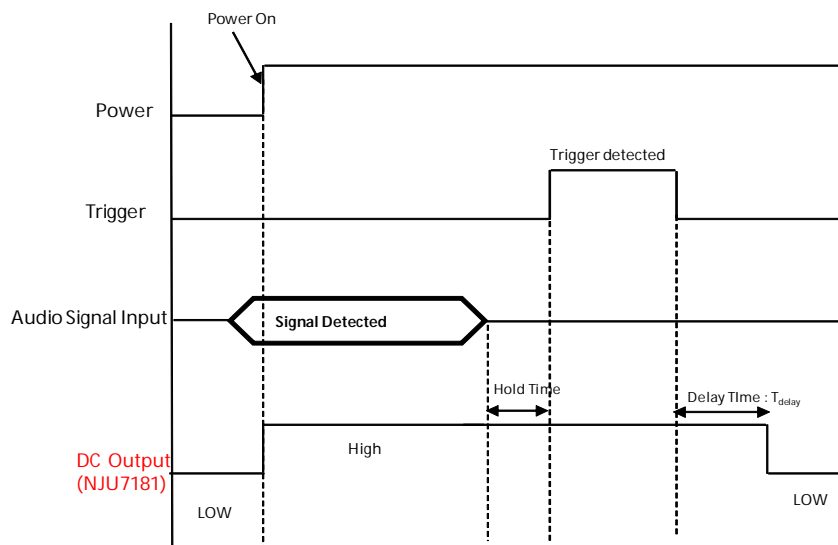
Case 1: Trigger signal present (After output LOW)



Scenario 4: Trigger Signal detected (Case 2)

– Output will be or maintain high when **either an input signal or trigger signal is detected**. When hold time is shorter than a delay time, output maintains High state (Counter RESET). NJU7181 will then hold the output level for a delay time which can be adjusted by the Capacitor value @ pin 5.

Case 2: Trigger signal present (During output HIGH)



When hold time is shorter than T_{delay} , DC_Output maintains High state. (Counter RESET)

◆ Input Sensitivity [Ta =25°C]

The input sensitivity is defined as follows.

$$V_{INS}=20*\log(R1/R2) - 21.5 \text{ [dBV]} \text{ ---- (1)}$$

Note) The input sensitivity recommends the setting of -60dBV (1mVrms) or more.

Note) The R2 value should be 100kΩ or more.

◆ Frequency Response

The input capacitor “Ci” forms HPF with “R1”. The cut-off frequency is defined as follows. Please decide C1 value in consideration of the frequency response necessary for the signal-detecting.

$$f_c=1/(2\pi\times C_i\times R_1) \text{ [Hz]} \text{ ---- (2)}$$

◆ Delay time [With R_D = 220Kohm]

The Recovery time is defined as follows.

$$T_{\text{delay}}=1.5*10^8*C_R \text{ [sec]} \text{ ---- (3)}$$

■ TERMINAL DESCRIPTION

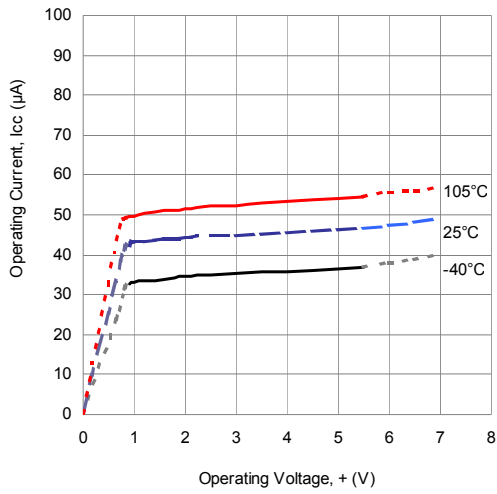
| Terminal | SYMBOL | FUNCTION | EQUIVALENT CIRCUIT | VOLTAGE |
|----------|---------|------------------------|--------------------|---------|
| 1 | IN | AC Input | | 0.3V |
| 2 | AMP_OUT | Amplifier Output | | 0.3V |
| 3 | TRIN | External Trigger Input | | - |
| 5 | CAP_D | Delay Time Capacitor | | 0V |

■ TERMINAL DESCRIPTION

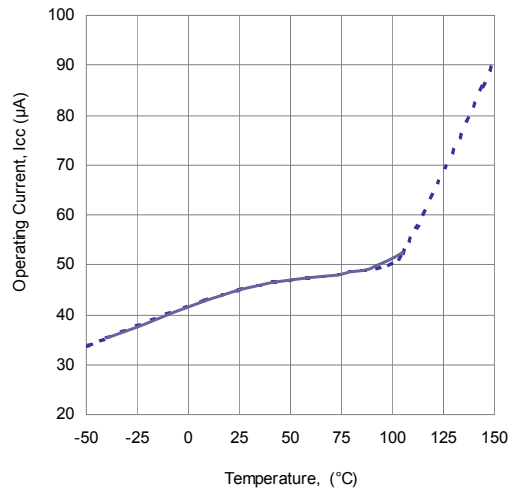
| Terminal | SYMBOL | FUNCTION | EQUIVALENT CIRCUIT | VOLTAGE |
|----------|--------|---------------------|--------------------|---------------------------|
| 6 | RES_D | Delay Time Resistor | | $3\mu\text{A} \times R_D$ |
| 7 | OUT | DC Output | | 0 or V^+ |
| 8 | V^+ | Supply Voltage | | V^+ |

■ TYPICAL CHARACTERISTICS

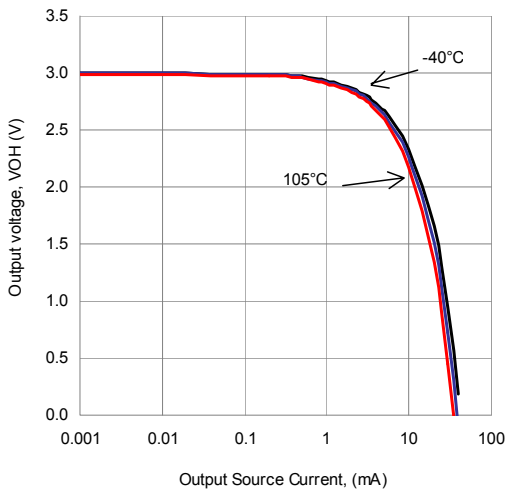
Operating Current Vs Operating Voltage
Cd = 10nF, Rd = 220kΩ, No Input



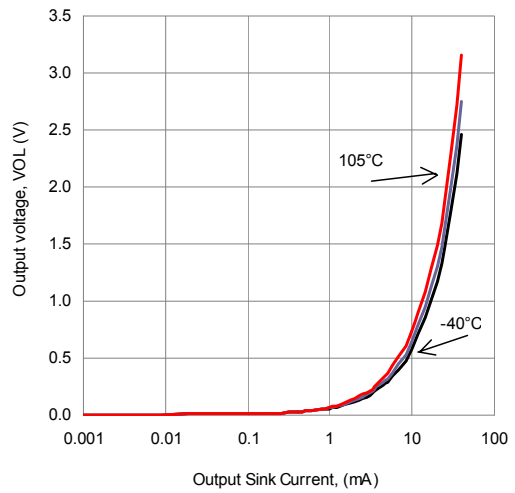
Operating current Vs Temperature
VDD = 3V, Cd = 10nF, Rd = 220kΩ, No Input



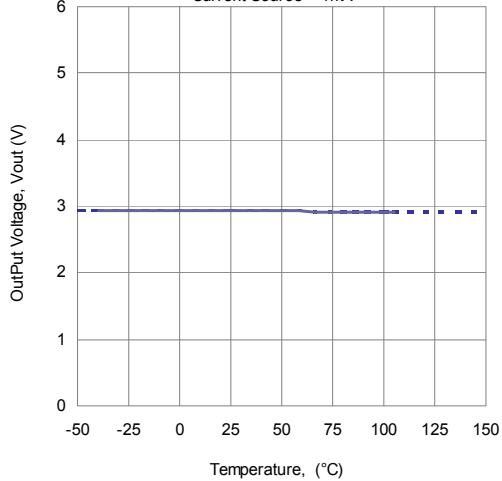
Output Voltage Vs Output Current Source
VDD = 3V, Ta = 25°C, Cd = 10nF, Rd = 220kΩ, Output = High



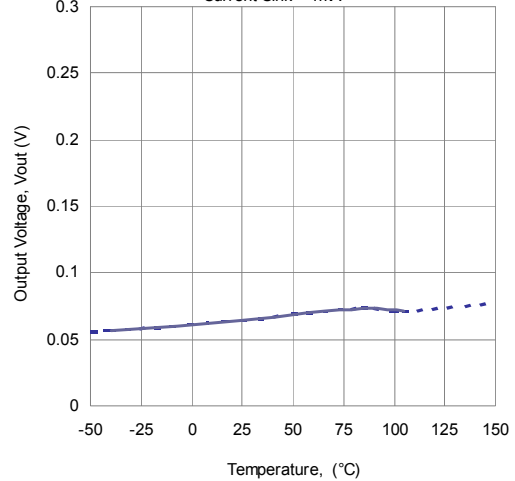
Output Voltage Vs Output Current Sink
VDD = 3V, Ta = 25°C, Cd = 10nF, Rd = 220kΩ, Output = High



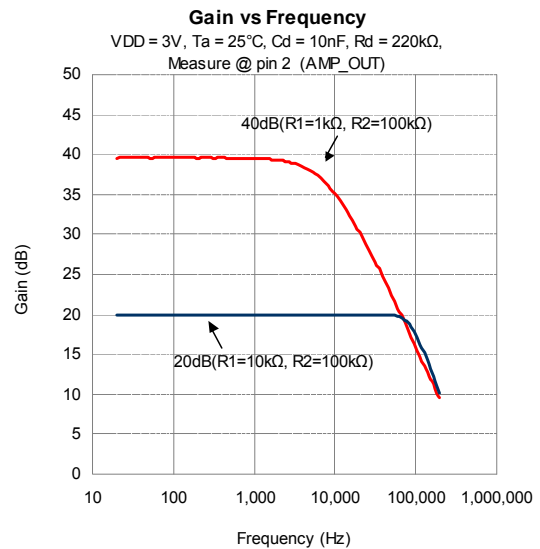
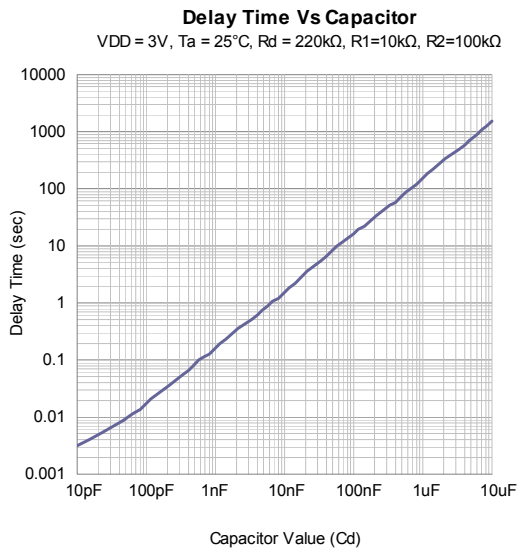
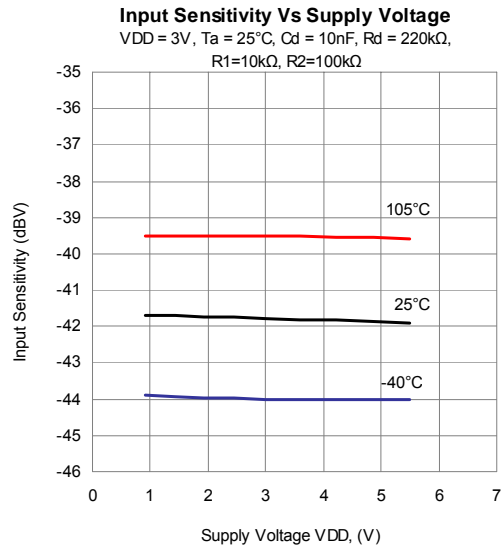
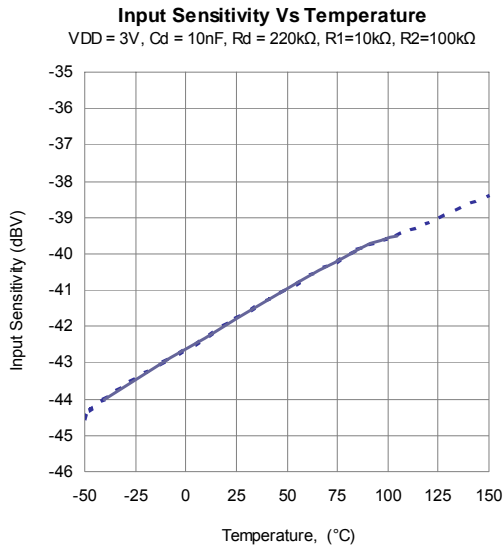
Output Voltage Vs Temperature
VDD = 3V, Cd = 10nF, Rd = 220kΩ, Output = High, Current Source = 1mA



Output Voltage Vs Temperature
VDD = 3V, Cd = 10nF, Rd = 220kΩ, Output = High, Current Sink = 1mA



TYPICAL CHARACTERISTICS



[CAUTION]
 The specifications on this databook are only given for information, without any guarantee as regards either mistakes or omissions. The application circuits in this databook are described only to show representative usages of the product and not intended for the guarantee or permission of any right including the industrial rights.



Компания «ЭлектроПласт» предлагает заключение долгосрочных отношений при поставках импортных электронных компонентов на взаимовыгодных условиях!

Наши преимущества:

- Оперативные поставки широкого спектра электронных компонентов отечественного и импортного производства напрямую от производителей и с крупнейших мировых складов;
- Поставка более 17-ти миллионов наименований электронных компонентов;
- Поставка сложных, дефицитных, либо снятых с производства позиций;
- Оперативные сроки поставки под заказ (от 5 рабочих дней);
- Экспресс доставка в любую точку России;
- Техническая поддержка проекта, помощь в подборе аналогов, поставка прототипов;
- Система менеджмента качества сертифицирована по Международному стандарту ISO 9001;
- Лицензия ФСБ на осуществление работ с использованием сведений, составляющих государственную тайну;
- Поставка специализированных компонентов (Xilinx, Altera, Analog Devices, Intersil, Interpoint, Microsemi, Aeroflex, Peregrine, Syfer, Eurofarad, Texas Instrument, Miteq, Cobham, E2V, MA-COM, Hittite, Mini-Circuits, General Dynamics и др.);

Помимо этого, одним из направлений компании «ЭлектроПласт» является направление «Источники питания». Мы предлагаем Вам помощь Конструкторского отдела:

- Подбор оптимального решения, техническое обоснование при выборе компонента;
- Подбор аналогов;
- Консультации по применению компонента;
- Поставка образцов и прототипов;
- Техническая поддержка проекта;
- Защита от снятия компонента с производства.



Как с нами связаться

Телефон: 8 (812) 309 58 32 (многоканальный)

Факс: 8 (812) 320-02-42

Электронная почта: org@eplast1.ru

Адрес: 198099, г. Санкт-Петербург, ул. Калинина, дом 2, корпус 4, литера А.