

Electronic multifunction counters with preselection

→ Up counters / Down counters - 48 x 48 - CTR48

- Counter, Tachometer, Chronometer, Multi-totalizer, Batch counter, Preselection totalizer
- Maximum input frequency 40 kHz
- Simple parameter setting, configuration using text menus
- Easy modification of presets
- Scaling factor
- 5 A changeover relay and solid state output
- Removable connectors
- Backlit LCD display (orange) : 2 lines, 6 digits or multicoloured display (green-red)
- IP 65 sealed panel
- Option of locking the keypad, completely or partially (preset, programming)
- Accessories for 72 x 72 or 55 x 55 cut-out, DIN rail adaptor



Part numbers

Type	Functions	Preset	Voltages	Output	Code
Orange backlight LCD display	Counter, Tachometer, Chronometer, Preselection multi-totalizer	1	10 → 30 V $\overline{\text{DC}}$	1 changeover relay, 1 solid state	87621111
	Counter, Tachometer, Chronometer, Preselection multi-totalizer	1	24 V \sim	1 changeover relay, 1 solid state	87621112
	Counter, Tachometer, Chronometer, Preselection multi-totalizer	1	90 → 260 V \sim	1 changeover relay, 1 solid state	87621115
	Counter, Tachometer, Chronometer, Multi-totalizer, Batch counter, Preselection totalizer	2	10 → 30 V $\overline{\text{DC}}$	1 changeover relay, 1 NO relay, 2 solid state	87621121
	Counter, Tachometer, Chronometer, Multi-totalizer, Batch counter, Preselection totalizer	2	24 V \sim	1 changeover relay, 1 NO relay, 2 solid state	87621122
	Counter, Tachometer, Chronometer, Multi-totalizer, Batch counter, Preselection totalizer	2	90 → 260 V \sim	1 changeover relay, 1 NO relay, 2 solid state	87621125
Multicoloured LCD display (green-red)	Counter, Tachometer, Chronometer, Preselection multi-totalizer	1	10 → 30 V $\overline{\text{DC}}$	1 changeover relay, 1 solid state	87621211
	Counter, Tachometer, Chronometer, Preselection multi-totalizer	1	24 V \sim	1 changeover relay, 1 solid state	87621212
	Counter, Tachometer, Chronometer, Preselection multi-totalizer	1	90 → 260 V \sim	1 changeover relay, 1 solid state	87621215
	Counter, Tachometer, Chronometer, Multi-totalizer, Batch counter, Preselection totalizer	2	10 → 30 V $\overline{\text{DC}}$	1 changeover relay, 1 NO relay, 2 solid state	87621221
	Counter, Tachometer, Chronometer, Multi-totalizer, Batch counter, Preselection totalizer	2	24 V \sim	1 changeover relay, 1 NO relay, 2 solid state	87621222
	Counter, Tachometer, Chronometer, Multi-totalizer, Batch counter, Preselection totalizer	2	90 → 260 V \sim	1 changeover relay, 1 NO relay, 2 solid state	87621225

Accessories

Description	Code
Adaptor for 72 x 72 mm cut-out	26546842
Adaptor for 55 x 55 mm cut-out	26546846
DIN rail adaptor	26546841

General characteristics

Environmental characteristics

Supply	10 → 30 V $\overline{\text{---}}$ / 24 V \sim / 90 → 260 V \sim
Relative humidity (no condensation)	EN 60068-2-30 40/93% RLF
Altitude	0 < 2000 m
Certifications	UL - cULus (pending) - CE
Vibration resistance in 3 axes	10-55 Hz / 1 min / XYZ EN 60068-2-6: 30 min. in each direction
Connection by screw terminals	Removable
Protection	Conforming to standard EN 60529 IP65 for panel / IP20 for connections
Front panel watertight seal	✓
Temperature limits use (°C)	-20 → +65
Temperature limits stored (°C)	-25 → +75
Weight (g)	150 $\overline{\text{---}}$ version 250 \sim version

General characteristics

Reset to zero or to preset	On panel: if not locked during programming Electrical: automatic, voltage or solid state (NPN or PNP depending on programming)
Minimum pulse time	Impulse counter: < 15 ms Chronometer: 500 μ s
Option to protect against reset from front panel	✓
Scale factor (each input pulse is multiplied by this figure)	00.0001 → 99.9999
Scaling factor (each input impulse is divided by this value)	01.0000 → 99.9999
Decimal point selectable for ease of reading	0 0.0 0.00 0.000 0.0000 0.00000
Sensor supply version \sim	24 V $\overline{\text{---}}$ -20/+15% 50 mA
Programming and current value backed up via EEPROM memory	✓ Service life 10 years

Operating characteristics

Functions	Preselection counter, Tachometer, Chronometer, Multi-totalizer, Batch counters, Totalizer
Number of presets	1 or 2
Display	LCD with orange backlighting/Multicoloured LCD (green-red)
Height digits (mm)	LCD 9
Display details	- 999 999 → 999 999

Input characteristics

Inputs	2 counter inputs 1 reset input, 1 gate input
Input modes	Dir: Directional AS: up/dn AA: up/up PP: phase PP2: phase 2 PP4: phase 4
Input type	Voltage or solid state
High level	8 V $\overline{\text{---}}$ → 30 V $\overline{\text{---}}$
Low level	0 → 2 V $\overline{\text{---}}$

Solid state output characteristics

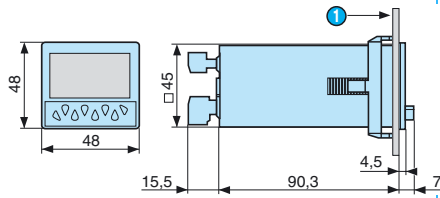
Maximum current	30 mA
Max. voltage	10 → 30 V $\overline{\text{---}}$ for the $\overline{\text{---}}$ version 24 V $\overline{\text{---}}$ -20/+15%

Relay output characteristics

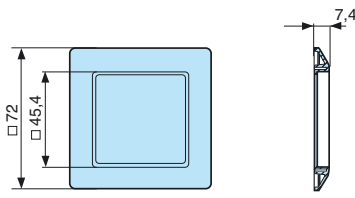
Changeover relay	✓
NO contact	Depending on version
Maximum current	5 A
Minimum current	10 mA
Maximum voltage	30 V $\overline{\text{---}}$ / 250 V \sim
Min. voltage	5 V \sim
Response time	< 13 ms
Mechanical life (operations)	20 x 10 ⁶
Number of operations to 5 A	5 x 10 ⁴
Output modes: maintained or pulsed	0.01 → 99.99 s

Dimensions (mm)

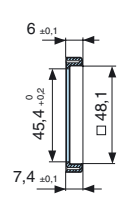
26546842 - Adaptor for 72 x 72 mm cut-out



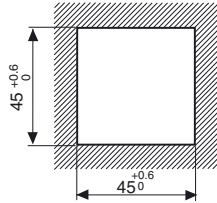
1 10.5 max.



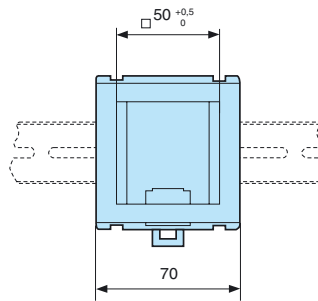
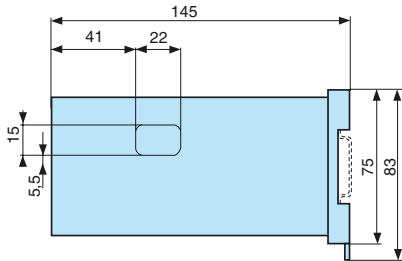
26546846 - Adaptor for 55 x 55 mm cut-out



Panel cut-out

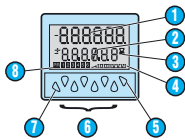


26546841 - DIN rail adaptor



Principles

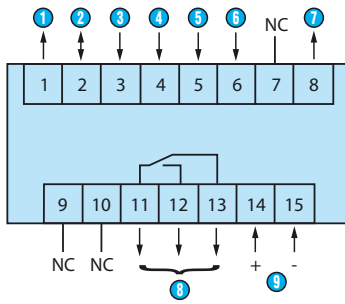
Display and buttons



- 1 Current value
- 2 Selected value
- 3 Chronometer display
- 4 Active output indication
- 5 Prog/mode button
- 6 Preset control buttons
- 7 Button required for programming parameters
- 8 Shows which value is displayed

Connections

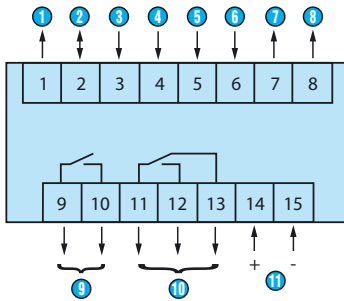
87621111 / 211



- ① Sensor voltage supply (* UB interconnected)
- ② GND (0 V $\overline{\text{---}}$)
- ③ INP A (signal A input)
- ④ INP B (signal B input)
- ⑤ Reset (Reset input)
- ⑥ Gate input
- ⑦ Output 1 - 10-30 V $\overline{\text{---}}$ /30 mA
- ⑧ 11-12-13: Output 1
- ⑨ 14-15: Supply

Output: 5 A/250 V \sim /AC: 24 V \sim

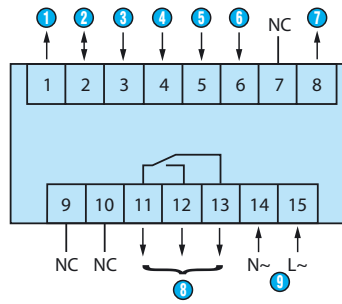
87621121 / 221



- ① Sensor voltage supply (* UB interconnected)
- ② GND (0 V $\overline{\text{---}}$)
- ③ INP A (signal A input)
- ④ INP B (signal B input)
- ⑤ Reset (Reset input)
- ⑥ Gate input
- ⑦ Output 1: 10-30 V $\overline{\text{---}}$ /30 mA
- ⑧ Output 2: 10-30 V $\overline{\text{---}}$ /30 mA
- ⑨ 9-10: Output 1
- ⑩ 11-12-13: Output 2
- ⑪ 14-15: Supply

Output: 5 A/250 V \sim / AC: 90 \rightarrow 260 V $\overline{\text{---}}$

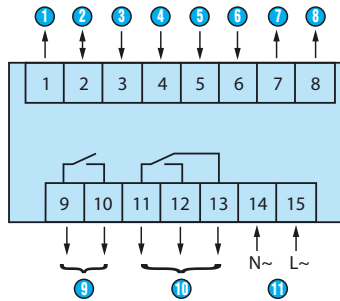
87621112 / 212



- ① Sensor voltage supply
- ② GND (0 V $\overline{\text{---}}$)
- ③ INP A (signal A input)
- ④ INP B (signal B input)
- ⑤ Reset (Reset input)
- ⑥ Gate input
- ⑦ Output 1 - 24 V $\overline{\text{---}}$ /30 mA
- ⑧ 11-12-13: Output 1
- ⑨ 14-15: Supply

Output: 5 A/250 V \sim /AC: 24 V \sim

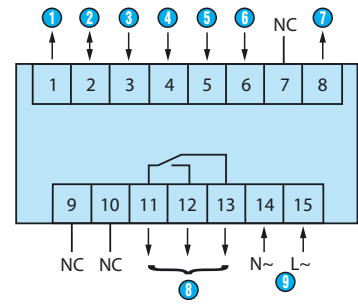
87621122 / 222



- ① Sensor voltage supply
- ② GND (0 V $\overline{\text{---}}$)
- ③ INP A (signal A input)
- ④ INP B (signal B input)
- ⑤ Reset (Reset input)
- ⑥ Gate input
- ⑦ Output 1: 24 V $\overline{\text{---}}$ /30 mA
- ⑧ Output 2: 24 V $\overline{\text{---}}$ /30 mA
- ⑨ 9-10: Output 1
- ⑩ 11-12-13: Output 2
- ⑪ 14-15: Supply

Output: 5 A/250 V \sim / AC: 90 \rightarrow 260 V $\overline{\text{---}}$

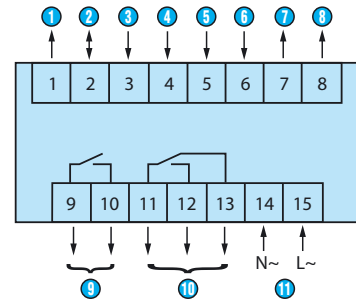
87621115 / 215



- ① Sensor voltage supply
- ② GND (0 V $\overline{\text{---}}$)
- ③ INP A (signal A input)
- ④ INP B (signal B input)
- ⑤ Reset (Reset input)
- ⑥ Gate input
- ⑦ Output 1 - 24 V $\overline{\text{---}}$ /30 mA
- ⑧ 11-12-13: Output 1
- ⑨ 14-15: Supply

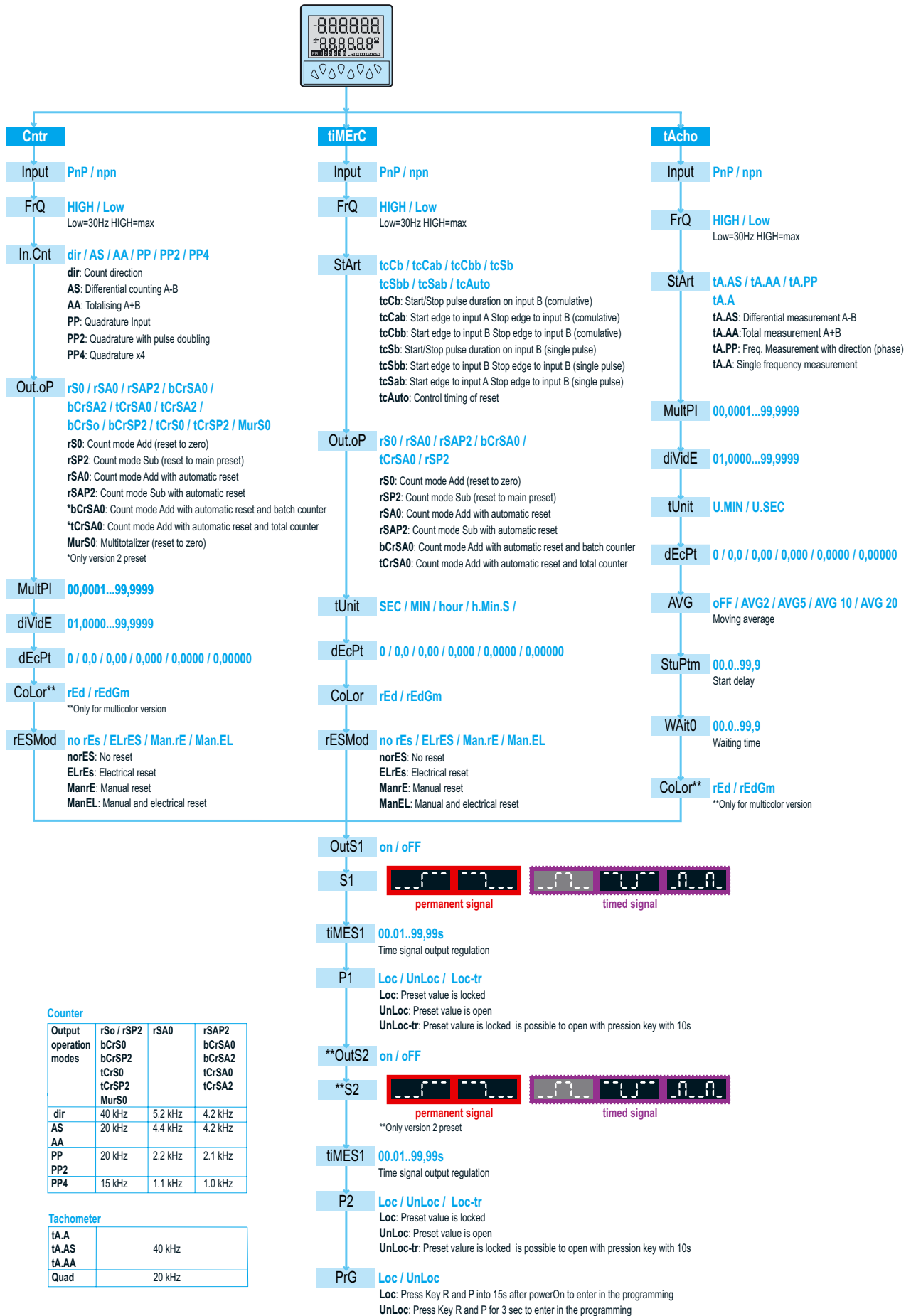
Output: 5 A/250 V \sim / AC: 24 V \sim

87621125 / 225



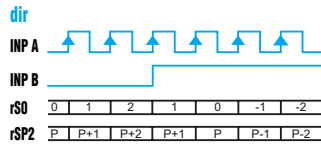
- ① Sensor voltage supply
- ② GND (0 V $\overline{\text{---}}$)
- ③ INP A (signal A input)
- ④ INP B (signal B input)
- ⑤ Reset (Reset input)
- ⑥ Gate input
- ⑦ Output 1: 24 V $\overline{\text{---}}$ /30 mA
- ⑧ Output 2: 24 V $\overline{\text{---}}$ /30 mA
- ⑨ 9-10: Output 1
- ⑩ 11-12-13: Output 2
- ⑪ 14-15: Supply

Output: 5 A/250 V \sim / AC: 90 \rightarrow 260 V $\overline{\text{---}}$



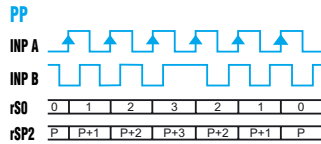
Curves

Counter: dir



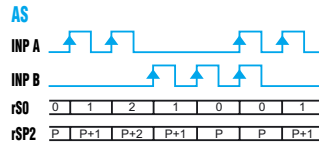
Inp A: counter input
 Inp B: count direction
 rS0: Display 0 → Preset
 rSP2: Display Preset → 0

Counter: PP



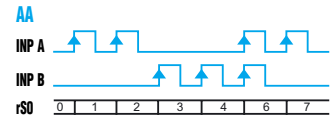
A 90° B
 Inp A: Counter input
 Counting on an edge
 Inp B: Reversal of direction
 rS0: Display 0 → Preset
 rSP2: Display Preset → 0

Counter: AS



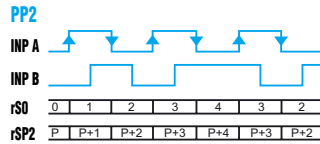
Inp A: Add. counter input 1
 Inp B: sub. counter input 2
 rS0: Display 0 → Preset
 rSP2: Display Preset → 0

Counter: AA



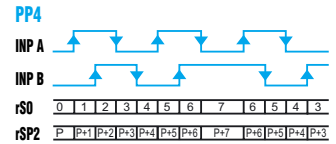
Inp A: Add. counter input 1
 Inp B: sub. counter input 2
 rS0: Display 0 → Preset

Counter: PP2



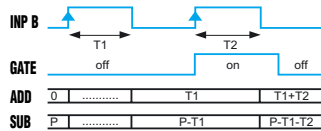
A 90° B
 Inp A: Counter input
 Counting on a rising edge and on a falling edge
 Inp B: Reversal of direction
 rS0: Display 0 → Preset
 rSP2: Display Preset → 0

Counter: PP4



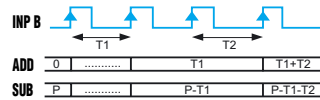
A 90° B
 Inp A: Counter input
 Counting on a rising edge and on a falling edge
 Inp B: Counter input
 Counting on a rising edge and on a falling edge, reversal of direction
 rS0: Display 0 → Preset
 rSP2: Display Preset → 0

Chronometer: Start tcCb



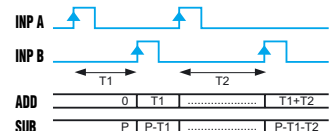
Inp A: No function
 Inp B: On/Off
 Cumulative time counting
 Add: Display 0 → Preset
 Sub: Display Preset → 0

Chronometer: Start tcCbb



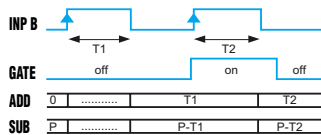
Inp A: No function
 Inp B: On/Off
 Cumulative time counting
 Add: Display 0 → Preset
 Sub: Display Preset → 0

Chronometer: Start tcCAb



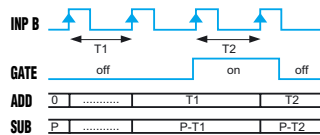
Inp A: On
 Inp B: Off
 Cumulative time counting
 Add: Display 0 → Preset
 Sub: Display Preset → 0

Chronometer: Start tcSb



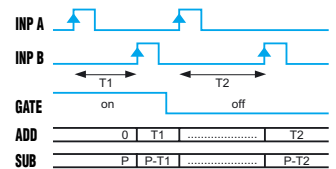
Inp A: No function
 Inp B: On/Off
 Individual time counting while B is active, automatic reset before each new count
 Add: Display 0 → Preset
 Sub: Display Preset → 0

Chronometer: Start tcSbb



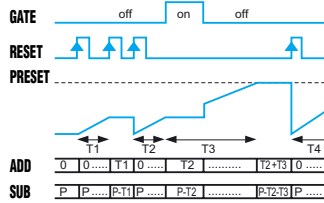
Inp A: No function
 Inp B: On/Off
 Individual time counting, automatic reset before each new count
 Add: Display 0 → Preset
 Sub: Display Preset → 0

Chronometer: Start tcSAb



Inp A: On
 Inp B: Off
 Individual time counting, automatic reset before each new count
 Add: Display 0 → Preset
 Sub: Display Preset → 0

Chronometer: Start tcAuto



Inp A: No function
 Inp B: No function
 Time counting command via Reset (manual or electrical)
 Add: Display 0 → Preset
 Sub: Display Preset → 0
 The Gate input has a display memory function

Tachometer: Start tA.A

INP A	0	F _{A0}	F _{A1}	F _{A2}	0	x
Display	0	0	F _{A0}	F _{A1}	F _{A2}	0

Inp A: Frequency input
 Inp B: No function

Tachometer: Start tA.AS

INP A	0	F _{A0}	F _{A1}	F _{A2}	0	x
INP B	0	0	F _{B0}	F _{B1}	F _{B2}	x
Display	0	0	F _{A0}	F _{A0} -F _{B0}	F _{A1} -F _{B1}	F _{B2}

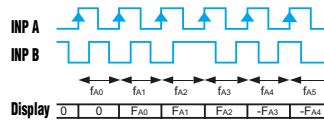
Inp A: Frequency input 1
 Inp B: Frequency input 2
 Formula: A - B

Tachometer: Start tA.AA

INP A	0	F _{A0}	F _{A1}	F _{A2}	0	x
INP B	0	0	F _{B0}	F _{B1}	F _{B2}	x
Display	0	0	F _{A0}	F _{A0} +F _{B0}	F _{A1} +F _{B1}	F _{B2}

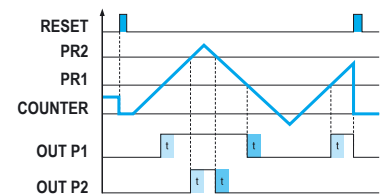
Inp A: Frequency input 1
 Inp B: Frequency input 2
 Formula: A + B

Tachometer: Start tA.PP

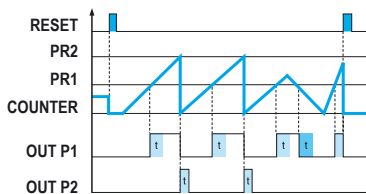


A 90° B
 Inp A: Frequency input 1
 Inp B: Reversal of direction

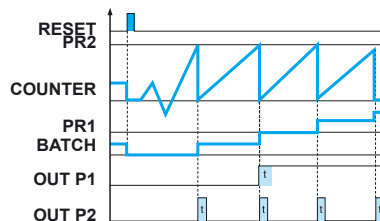
Output operation: OutoP rS0



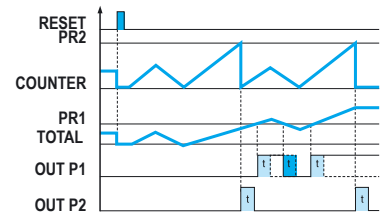
Output operation: OutoP rSA0



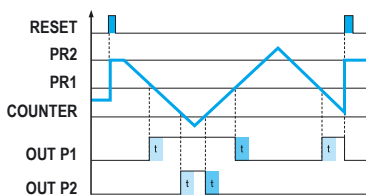
Output operation: OutoP bCrSA0



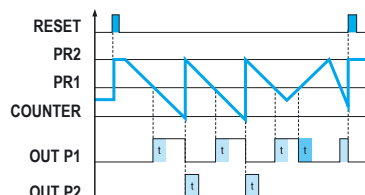
Output operation: OutoP tCrSA0



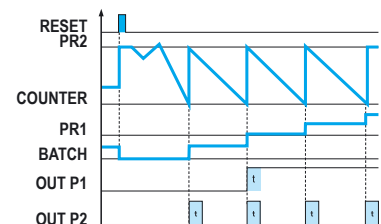
Output operation: OutoP rSP2



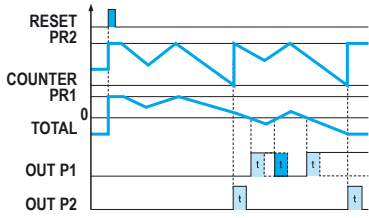
Output operation: OutoP rSAP2



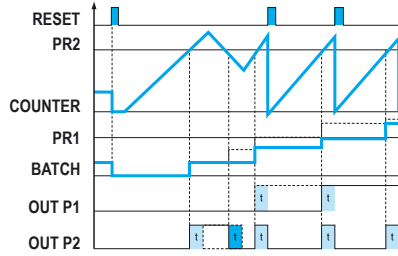
Output operation: OutoPbCrSA2



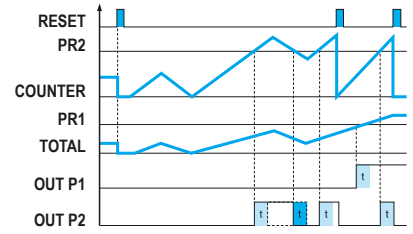
Output operation: OutoP tCrSA2



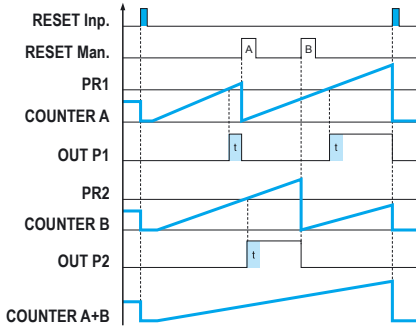
Output operation: OutoP bCrS0



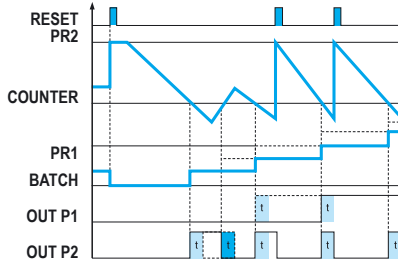
Output operation: OutoP tCrS0



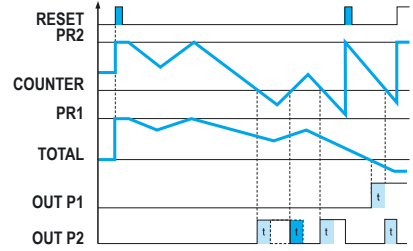
Output operation: OutoP MurS0 (AA)



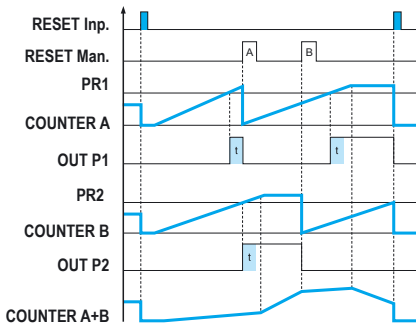
Output operation: OutoP bCrSP2



Output operation: OutoP tCrSP2



Output operation: OutoP MurS0 (AS)





Компания «ЭлектроПласт» предлагает заключение долгосрочных отношений при поставках импортных электронных компонентов на взаимовыгодных условиях!

Наши преимущества:

- Оперативные поставки широкого спектра электронных компонентов отечественного и импортного производства напрямую от производителей и с крупнейших мировых складов;
- Поставка более 17-ти миллионов наименований электронных компонентов;
- Поставка сложных, дефицитных, либо снятых с производства позиций;
- Оперативные сроки поставки под заказ (от 5 рабочих дней);
- Экспресс доставка в любую точку России;
- Техническая поддержка проекта, помощь в подборе аналогов, поставка прототипов;
- Система менеджмента качества сертифицирована по Международному стандарту ISO 9001;
- Лицензия ФСБ на осуществление работ с использованием сведений, составляющих государственную тайну;
- Поставка специализированных компонентов (Xilinx, Altera, Analog Devices, Intersil, Interpoint, Microsemi, Aeroflex, Peregrine, Syfer, Eurofarad, Texas Instrument, Miteq, Cobham, E2V, MA-COM, Hittite, Mini-Circuits, General Dynamics и др.);

Помимо этого, одним из направлений компании «ЭлектроПласт» является направление «Источники питания». Мы предлагаем Вам помощь Конструкторского отдела:

- Подбор оптимального решения, техническое обоснование при выборе компонента;
- Подбор аналогов;
- Консультации по применению компонента;
- Поставка образцов и прототипов;
- Техническая поддержка проекта;
- Защита от снятия компонента с производства.



Как с нами связаться

Телефон: 8 (812) 309 58 32 (многоканальный)

Факс: 8 (812) 320-02-42

Электронная почта: org@eplast1.ru

Адрес: 198099, г. Санкт-Петербург, ул. Калинина, дом 2, корпус 4, литера А.