

Micropower, Low Charge Injection, Quad CMOS Analog Switches with Data Latches

FEATURES

- Micropower Operation
- Single 5V or $\pm 15V$ Supply Operation
- Low Charge Injection
- Low R_{ON}
- Low Leakage
- Guaranteed Break Before Make
- Latch Resistant Design
- TLL/CMOS Compatible
- Improved Second Source for DG221/DG222
- Microprocessor Bus Compatible

KEY SPECIFICATIONS

- Supply Current $I^+ = 40\mu A, I^- = 5\mu A$ Max
- Charge Injection
 - $\pm 15V$ Supplies $\pm 25pC$ Max
 - Single 5V Supply 2pC Typ
- R_{ON} 65Ω Typ
- Signal Range $\pm 15V$

DESCRIPTION

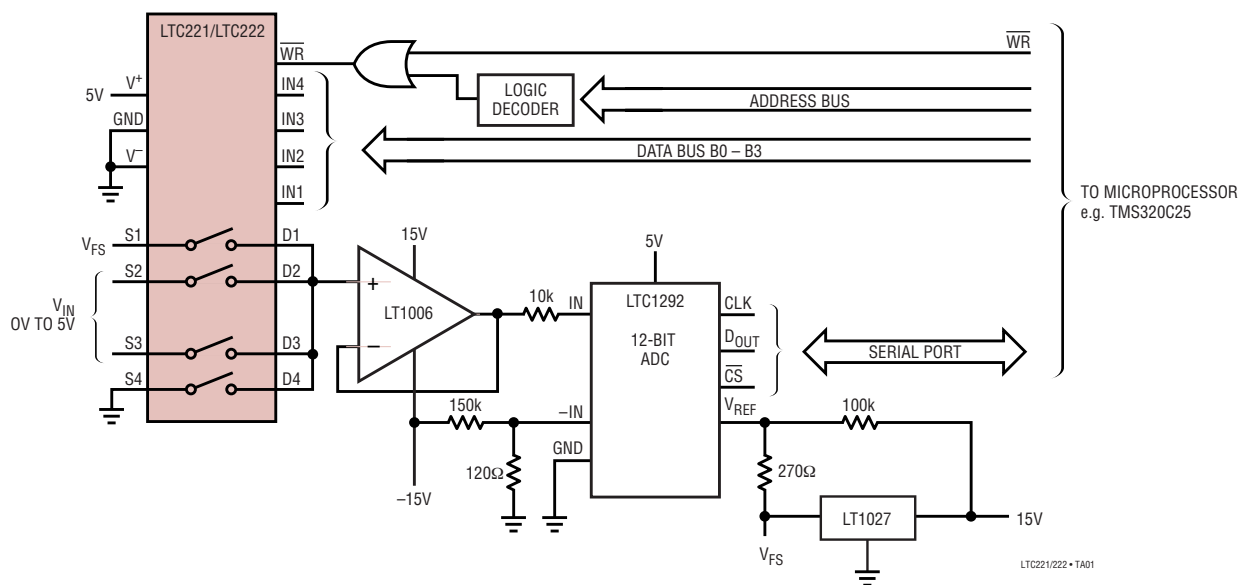
The LTC[®]221 and LTC222 are micropower, quad CMOS analog switches which typically dissipate only 250 μ W from $\pm 15V$ supplies and 40 μ W from a single 5V supply. Onboard latches allow the LTC221 and LTC222 to interface directly to most microprocessor buses. The switches have 65 Ω typical on resistance and a very high off resistance. A break before make characteristic is inherent in these switches to prevent the shorting of two channels. The signal range is $\pm 15V$ with a supply voltage of $\pm 15V$ and 0V to 5V with a single 5V supply. The switches have special charge compensation circuitry which greatly reduces charge injection to a maximum of $\pm 25pC$ ($\pm 15V$ supplies).

The LTC221 and LTC222 are designed for applications such as microprocessor controlled programmable gain amplifiers, automatic test equipment, communication systems, and data acquisition systems. The LTC221 is normally closed and the LTC222 is normally open as shown in the Logic Table.

LT, LTC and LT are registered trademarks of Linear Technology Corporation.

TYPICAL APPLICATION

Two-Channel, 12-Bit, Self-Calibrating Data Acquisition System



LTC221/LTC222

ABSOLUTE MAXIMUM RATINGS

(Note 1)

Voltages Referenced to V^-

| | |
|-------------------------------------|---|
| V^+ | 44V |
| GND | 25V |
| Digital Inputs, S, D (Note 2) | -2V to ($V^+ + 2V$) or 20mA, Whichever Occurs First |

Current

| | |
|---|------|
| Any Input Except S or D | 30mA |
| Continuous S or D | 20mA |
| Peak S or D (Pulsed at 1 ms, 10% Duty Cycle Max) | 70mA |

ESD Susceptibility (Note 3)

Power Dissipation (Plastic)

Power Dissipation (Ceramic)

Operating Temperature Range

LTC221C/LTC222C

LTC221M/LTC222M (OBSOLETE).....

Storage Temperature Range

Lead Temperature (Soldering, 10 sec).....

PACKAGE/ORDER INFORMATION

| | |
|---|--|
| <p>N PACKAGE 16-LEAD PDIP $J_{MAX} = 110^{\circ}C$, $\theta_{JA} = 120^{\circ}C/W$</p> <p>S PACKAGE 16-LEAD PLASTIC SO $J_{MAX} = 110^{\circ}C$, $\theta_{JA} = 130^{\circ}C/W$</p> <p>J PACKAGE 16-LEAD CERDIP</p> <p>OBSOLETE PACKAGE Consider the N or S Package for Alternate Source</p> | ORDER PART NUMBER |
| | LTC221CN LTC221CS LTC222CN LTC222CS |
| | LTC221MJ LTC221CJ LTC222MJ LTC222CJ |

Consult LTC Marketing for parts specified with wider operating temperature ranges.

LOGIC TABLE

| INX | \overline{WR} | LTC221 | LTC222 |
|-----|-----------------|-------------------------|-------------------------|
| 0 | 0 | On | Off |
| 1 | 0 | Off | On |
| X | 1 | Maintain Previous State | Maintain Previous State |

DIGITAL AND DC ELECTRICAL CHARACTERISTICS

The ● denotes the specifications which apply over full operating temperature range, otherwise specifications are at $T_A = 25^{\circ}C$. $V^+ = \pm 15V$, $V^- = -15V$, GND = 0V, unless noted.

| PARAMETER | CONDITIONS | LTC221M/LTC222M | | | LTC221C/LTC222C | | | UNITS |
|--|--|-----------------|------|-----------|-----------------|-----------|-----|----------|
| | | MIN | TYP | MAX | MIN | TYP | MAX | |
| Analog Signal Range | | ● | | ± 15 | | ± 15 | | V |
| R_{ON} | $V_S = \pm 10V$ $I_D = 1mA$ | T_{MIN} | | 90 | | 90 | | Ω |
| | | $25^{\circ}C$ | | 65 | 90 | 65 | 90 | Ω |
| | | T_{MAX} | | | 135 | | 135 | Ω |
| Off Input Leakage I_S (OFF) | $V_D = 14V$, $V_S = \pm 14V$ | ● | 0.01 | ± 1 | 0.01 | ± 5 | | nA |
| | | ● | | ± 100 | | ± 100 | | nA |
| Off Output Leakage I_D (OFF) | $V_{IN} = 2.4V$, LTC221 $V_{IN} = 0.8V$, LTC222 | ● | 0.01 | ± 1 | 0.01 | ± 5 | | nA |
| | | ● | | ± 100 | | ± 100 | | nA |
| On Channel Leakage I_D (ON) | $V_D = V_S = \pm 14V$, $V_{IN} = 2.4V$, LTC222 $V_{IN} = 0.8V$, LTC221 | ● | 0.02 | ± 1 | 0.02 | ± 5 | | nA |
| | | ● | | ± 200 | | ± 200 | | nA |
| Input High Voltage V_{INH} , $V_{\overline{WR}H}$ | | ● | 2.4 | | 2.4 | | | V |
| Input Low Voltage V_{INL} , $V_{\overline{WR}L}$ | | ● | | 0.8 | | 0.8 | | V |
| Input High or Low Current I_{INH} , I_{INL} , $I_{\overline{WR}H}$, $I_{\overline{WR}L}$ | $V_{IN} = 15V$, 0V $V_{\overline{WR}} = 15V$, 0V | ● | | ± 1 | | ± 1 | | μA |
| C_S (OFF) | | | 5 | | 5 | | | pF |
| C_D (OFF) | | | 12 | | 12 | | | pF |
| C_D , C_S (ON) | | | 30 | | 30 | | | pF |
| I^+ | All Channels On or Off $V_{IN} = V_{\overline{WR}} = 0V$ or 4.0V | ● | 16 | 40 | 16 | 40 | | μA |
| | | ● | | 60 | | 60 | | μA |

2212fa

DIGITAL AND DC ELECTRICAL CHARACTERISTICS

The ● denotes the specifications which apply over full operating temperature range, otherwise specifications are at $T_A = 25^\circ\text{C}$. $V^+ = \pm 15\text{V}$, $V^- = -15\text{V}$, $\text{GND} = 0\text{V}$, unless noted.

| PARAMETER | CONDITIONS | LTC221M/LTC222M | | | LTC221C/LTC222C | | | UNITS |
|-----------|------------|-----------------|-----|-----|-----------------|-----|---------------|-------|
| | | MIN | TYP | MAX | MIN | TYP | MAX | |
| I^- | | | 0.1 | 5 | 0.1 | 5 | μA | |
| | | ● | | 10 | | 10 | | |

AC ELECTRICAL CHARACTERISTICS

$V^+ = 15\text{V}$, $V^- = -15\text{V}$, $\text{GND} = 0\text{V}$, unless otherwise noted.

| PARAMETER | CONDITIONS | LTC221M/LTC222M | | | LTC221C/LTC222C | | | UNITS |
|--|---|-----------------|------|----------|-----------------|----------|---------------|-------|
| | | MIN | TYP | MAX | MIN | TYP | MAX | |
| t_{ON} | $V_S = 2\text{V}$, $R_L = 1\text{k}\Omega$, $C_L = 35\text{pF}$ | | 290 | 400 | 290 | 400 | ns | |
| t_{OFF} | | | 210 | 300 | 210 | 300 | | |
| t_{OPEN} | | 20 | 85 | | 20 | 85 | ns | |
| Off Isolation | $V_S = 2\text{Vp-p}$, $R_L = 1\text{k}\Omega$ $f = 100\text{kHz}$ | | 75 | | 75 | | dB | |
| Crosstalk | | | 90 | | 90 | | | |
| Charge Injection O_{INJ} | $R_{\text{GEN}} = 0\Omega$, $C_L = 1000\text{pF}$, $V_{\text{GEN}} = 0$ | | 5 | ± 25 | 8 | ± 25 | μC | |
| Total Harmonic Distortion THD | $V_S = 2\text{Vp-p}$, $R_L = 10\text{k}\Omega$ | | 0.01 | | 0.01 | | % | |
| $t_{\text{ON}}, \overline{\text{WR}}$ | $V_S = 2\text{V}$, $R_L = 1\text{k}\Omega$, $C_L = 35\text{pF}$ | | 270 | 400 | 270 | 400 | ns | |
| $t_{\text{OFF}}, \overline{\text{WR}}$ | | | 160 | 300 | 160 | 300 | | |

DIGITAL AND DC ELECTRICAL CHARACTERISTICS

The ● denotes the specifications which apply over full operating temperature range, otherwise specifications are at $T_A = 25^\circ\text{C}$. $V^+ = 5\text{V}$, $V^- = \text{GND} = 0\text{V}$, unless noted.

| PARAMETER | CONDITIONS | LTC221M/LTC222M | | | LTC221C/LTC222C | | | UNITS |
|--|--|--------------------|------|-----------|-----------------|-----------|---------------|----------|
| | | MIN | TYP | MAX | MIN | TYP | MAX | |
| Analog Signal Range | | ● | 0 | 5 | 0 | 5 | V | |
| R_{ON} | $V_S = 1.5\text{V}$, 3V $I_D = 0.25\text{mA}$ | T_{MIN} | | 450 | | 520 | Ω | |
| | | 25°C | | 280 | 450 | 280 | 520 | Ω |
| | | T_{MAX} | | | 650 | | 650 | Ω |
| Off Input Leakage I_S (OFF) | $V_D = 4\text{V}$, 1V ; $V_S = 1\text{V}$, 4V (Note 4) | | 0.01 | ± 1 | 0.01 | ± 5 | nA | |
| | | ● | | ± 100 | | ± 100 | nA | |
| Off Output Leakage I_D (OFF) | | | 0.01 | ± 1 | 0.01 | ± 5 | nA | |
| | | ● | | ± 100 | | ± 100 | nA | |
| On Channel Leakage I_D (ON) | $V_D = V_S = 1\text{V}$, 4V (Note 4) | | 0.01 | ± 1 | 0.01 | ± 5 | nA | |
| | | ● | | ± 200 | | ± 200 | nA | |
| Input High Voltage V_{INH} , V_{WRH} | | ● | 2.4 | | 2.4 | | V | |
| Input Low Voltage V_{INL} , V_{WRL} | | ● | | 0.8 | | 0.8 | V | |
| Input High or Low Current I_{INH} , I_{INL} , I_{WRH} , I_{WRL} | $V_{\text{IN}} = 5\text{V}$, 0V $V_{\text{WR}} = 5\text{V}$, 0V | ● | | ± 1 | | ± 1 | μA | |
| C_S (OFF) | | | 5 | | 5 | | pF | |
| C_D (OFF) | | | 12 | | 12 | | pF | |
| C_D , C_S (ON) | | | 30 | | 30 | | pF | |
| I^+ | All Channels On or Off $V_{\text{IN}} = V_{\text{WR}} = 0\text{V}$ or 4.0V | | 8 | 20 | 8 | 20 | μA | |
| | | ● | | 30 | | 30 | μA | |

AC ELECTRICAL CHARACTERISTICS $V^+ = 5V, V^- = GND = 0V$, unless otherwise noted.

| PARAMETER | CONDITIONS | LTC221M/LTC222M | | | LTC221C/LTC222C | | | UNITS |
|-------------------------------|---|-----------------|------|-----|-----------------|------|-----|-------|
| | | MIN | TYP | MAX | MIN | TYP | MAX | |
| t_{ON} | $V_S = 2V, R_L = 1k\Omega, C_L = 35pF$ | | 450 | 600 | | 450 | 600 | ns |
| t_{OFF} | | | 190 | 300 | | 190 | 300 | ns |
| t_{OPEN} | | 100 | 250 | | 100 | 250 | | ns |
| Off Isolation | $V_S = 2V_{P-P}, R_L = 1k\Omega$ | | 75 | | | 75 | | dB |
| Crosstalk | $f = 100kHz$ | | 90 | | | 90 | | dB |
| Charge Injection O_{INJ} | $R_{GEN} = 0\Omega, C_L = 1000pF, V_{GEN} = 2.5V$ | | 2 | | | 2 | | pC |
| Total Harmonic Distortion THD | $V_S = 2V_{P-P}, R_L = 10k\Omega$ | | 0.01 | | | 0.01 | | % |
| $t_{ON, WR}$ | $V_S = 2V, R_L = 1k\Omega, C_L = 35pF$ | | 430 | 600 | | 430 | 600 | ns |
| $t_{OFF, WR}$ | | | 160 | 300 | | 160 | 300 | ns |

Note 1: Absolute Maximum Ratings are those values beyond which the life of a device may be impaired.

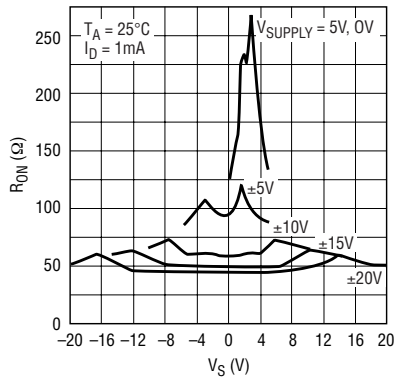
Note 2: Signals on S, D, or IN exceeding V^+ or V^- will be clamped by internal diodes. Limit forward diode current to maximum current rating.

Note 3: In-circuit ESD on the switch pins (S or D) exceeds 4kV (see test circuit).

Note 4: Leakage current with a 5V supply is guaranteed by correlation with the $\pm 15V$ leakage current.

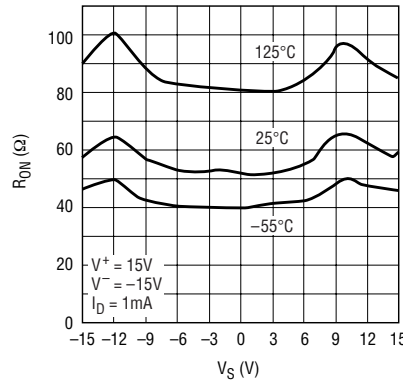
TYPICAL PERFORMANCE CHARACTERISTICS

R_{ON} vs V_S Over Supply Voltage



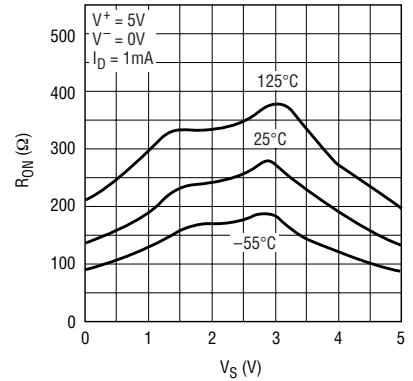
LTC221/222 • TPC01

R_{ON} vs V_S Over Temperature



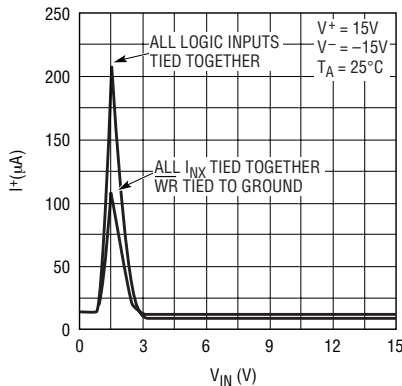
LTC221/222 • TPC02

R_{ON} vs V_S Over Temperature



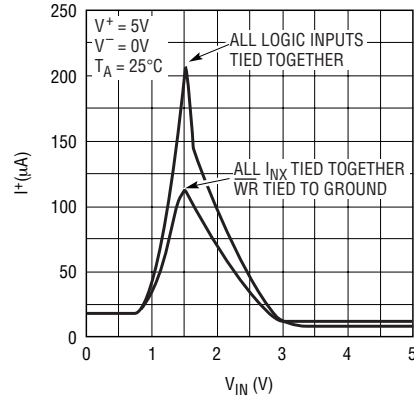
LTC221/222 • TPC03

Positive Supply Current vs Logic Input Voltage



LTC221/222 • TPC04

Positive Supply Current vs Logic Input Voltage



LTC221/222 • TPC05

2212fa

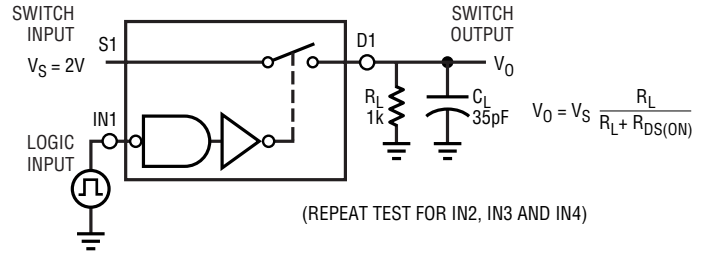
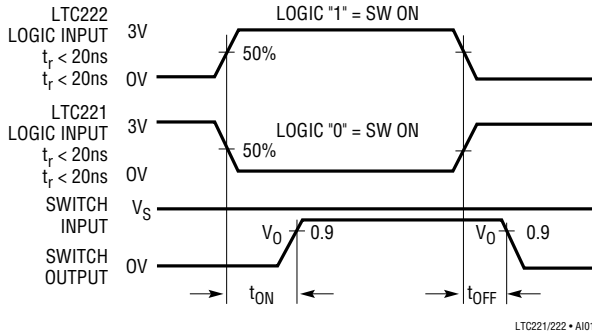
APPLICATIONS INFORMATION

Switching Time Test Circuit

Switch output waveform shown for $V_S = \text{constant}$ with logic input waveform as shown. Note that V_S may be (+) or (-) as per switching time test circuit. V_O is the steady

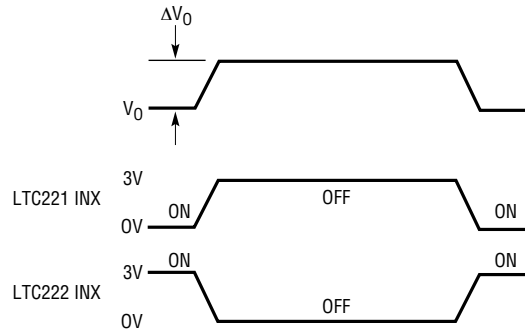
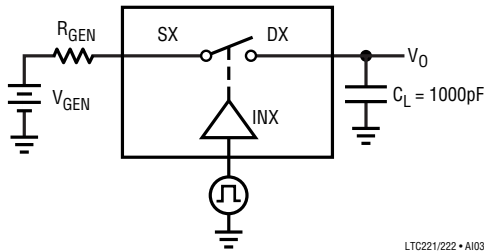
state output switch on. Feedthrough via gate capacitance may result in spikes at leading and trailing edge of output waveform.

Switching Time Test Circuit



LTC221/222 • AI02

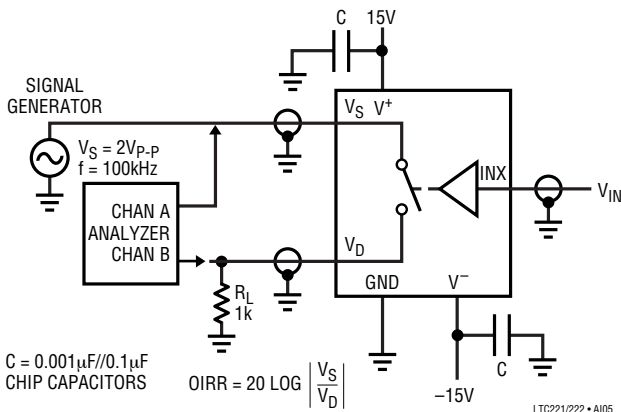
Charge Injection Test Circuit



ΔV_O IS THE MEASURED VOLTAGE ERROR DUE TO CHARGE INJECTION. THE ERROR VOLTAGE IN COULOMBS IS $\Delta Q = V_L \cdot \Delta V_O$

LTC221/222 • AI04

OIRR-Off Isolation Test Circuit

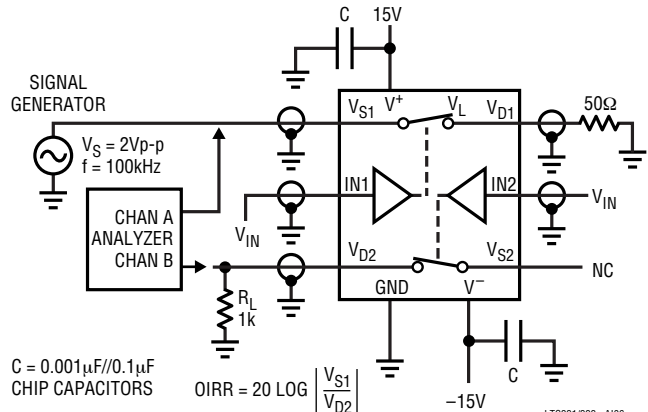


$C = 0.001\mu\text{F}/0.1\mu\text{F}$
CHIP CAPACITORS

$$\text{OIRR} = 20 \text{ LOG} \left| \frac{V_S}{V_D} \right|$$

LTC221/222 • AI05

CCRR-Channel to Channel Crosstalk Test Circuit



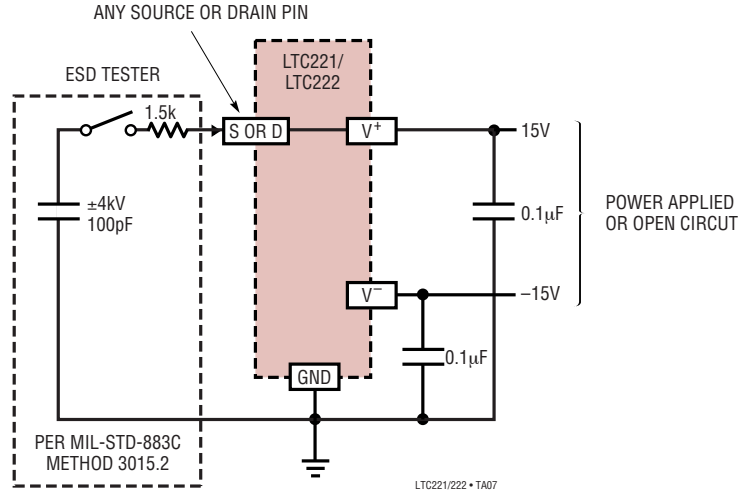
$C = 0.001\mu\text{F}/0.1\mu\text{F}$
CHIP CAPACITORS

$$\text{OIRR} = 20 \text{ LOG} \left| \frac{V_{S1}}{V_{D2}} \right|$$

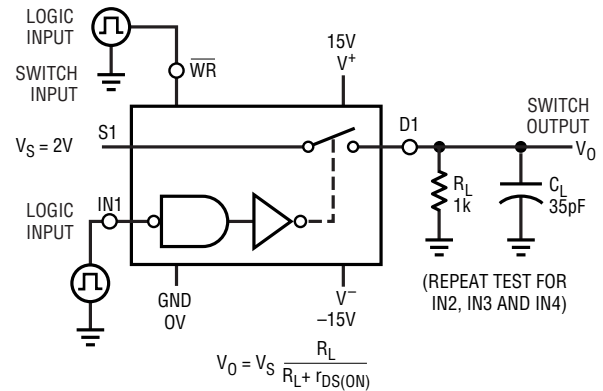
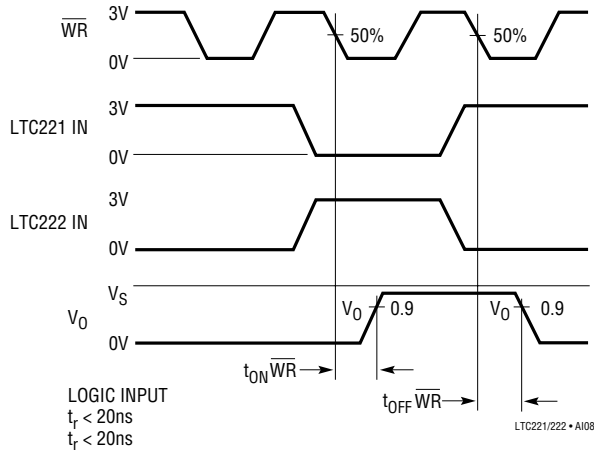
LTC221/222 • AI06

APPLICATIONS INFORMATION

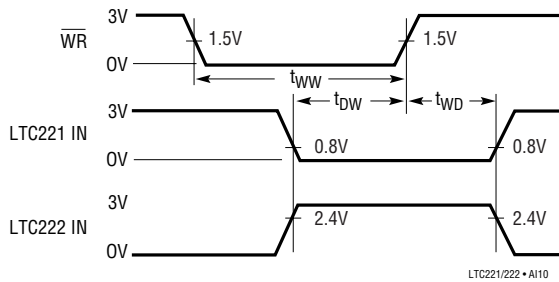
In-Circuit ESD Test Circuit



WR Switching Time Test Circuit



WR Setup Conditions

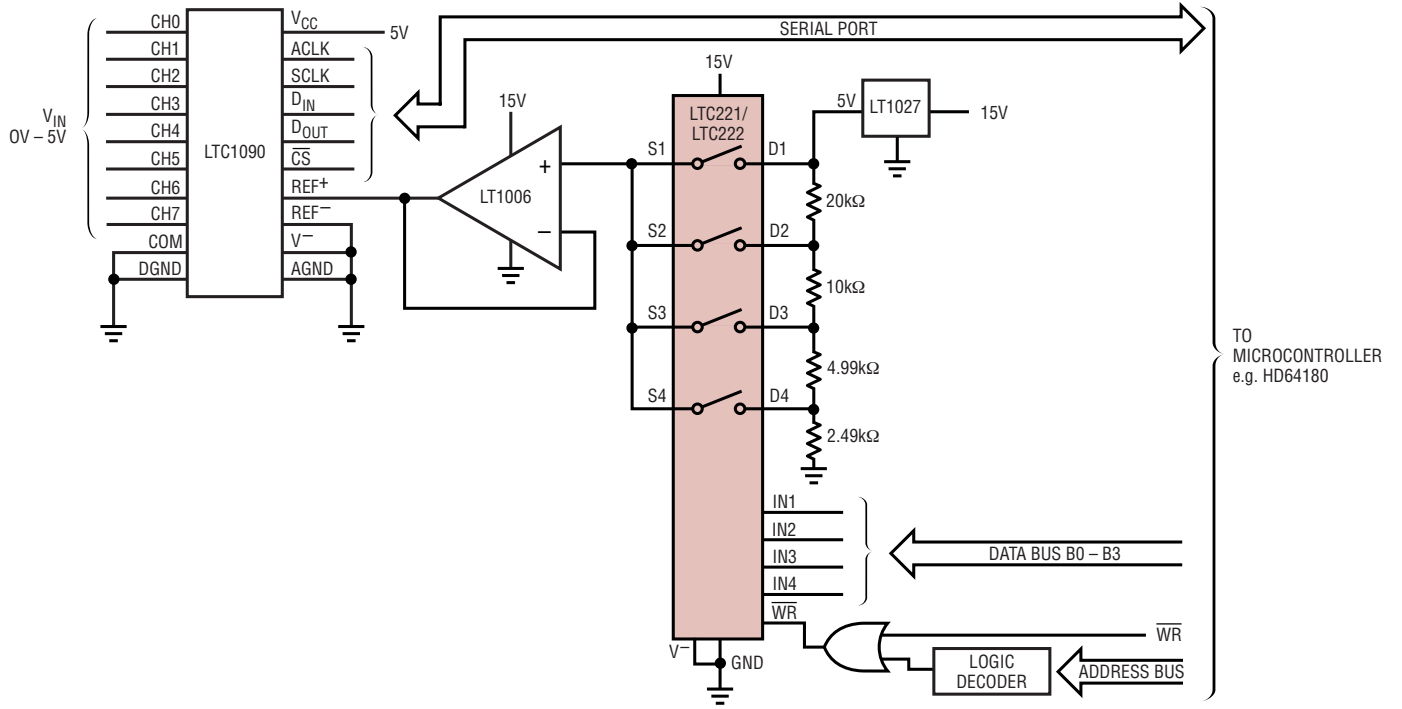


WR/Input Minimum Timing Requirements

| PARAMETER | MIN LIMIT | UNITS |
|-----------------|-----------|-------|
| t _{WW} | 230 | ns |
| t _{DW} | 180 | ns |
| t _{WD} | 30 | ns |

APPLICATIONS INFORMATION

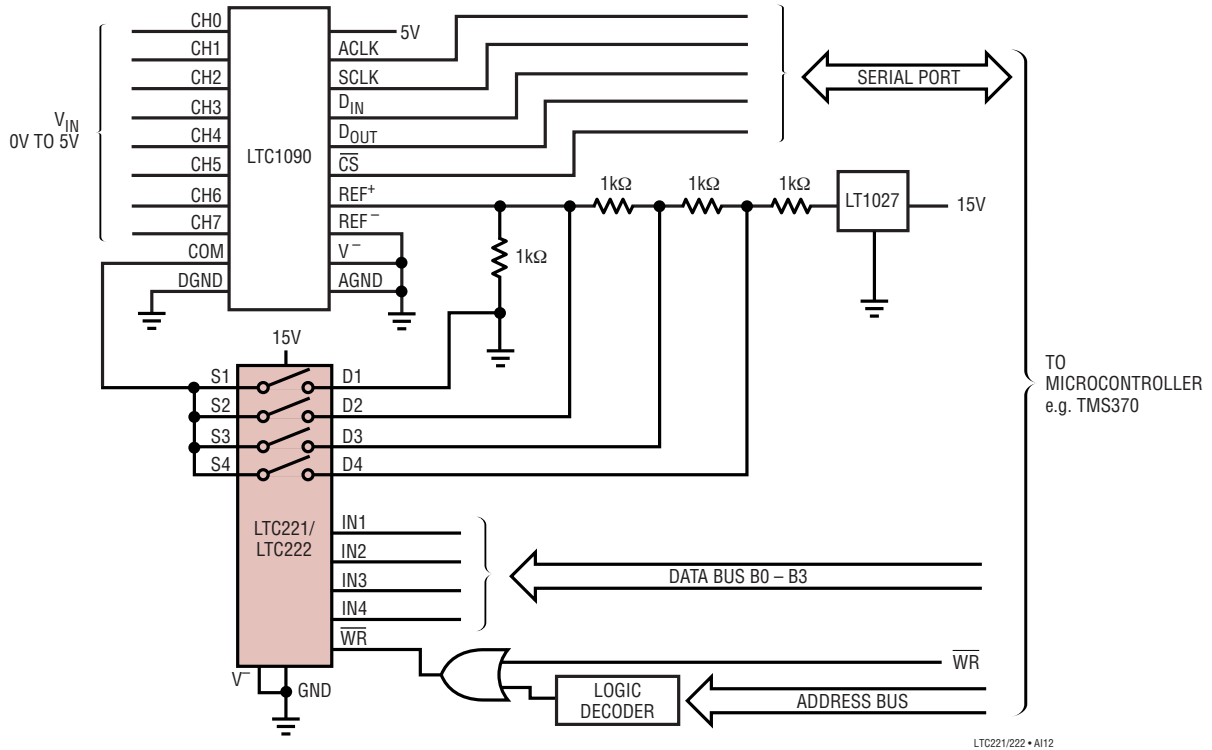
Auto Ranging an 8-Channel, 10-Bit A/D Converter



LTC221/222 • A111

APPLICATIONS INFORMATION

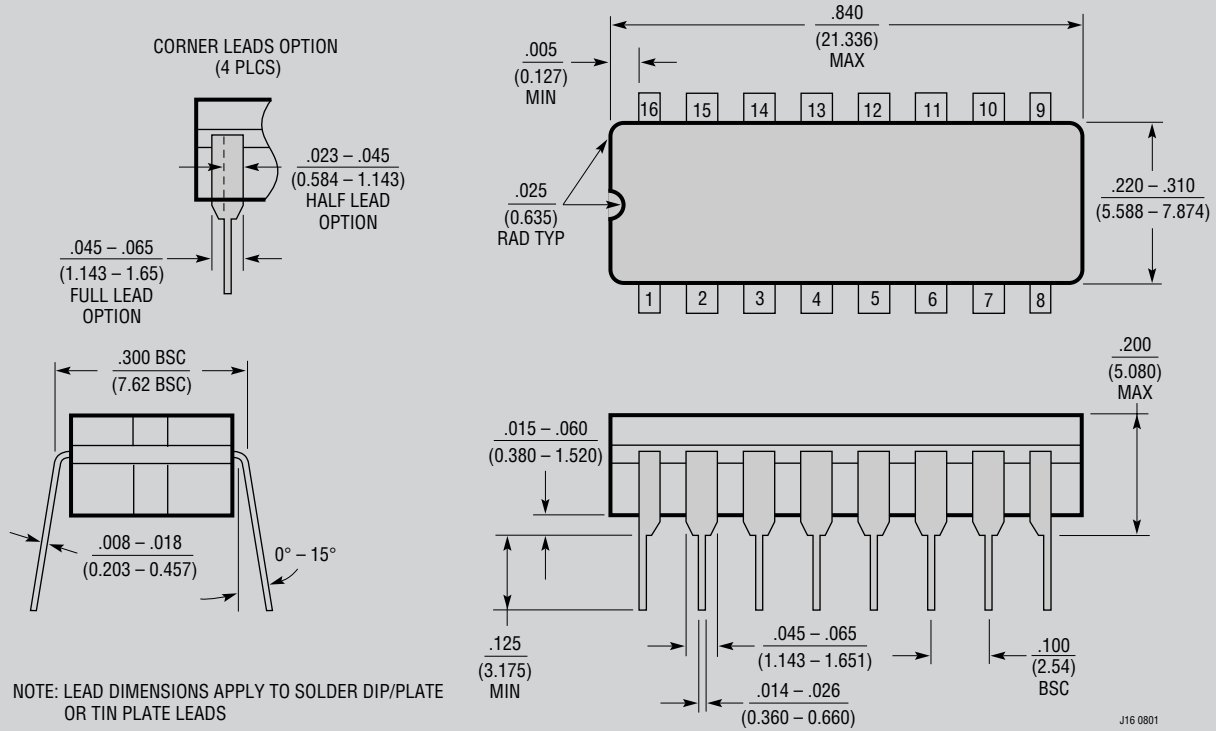
8-Channel, 14-Bit A/D Converter



LTC221/222 • AI12

PACKAGE DESCRIPTION

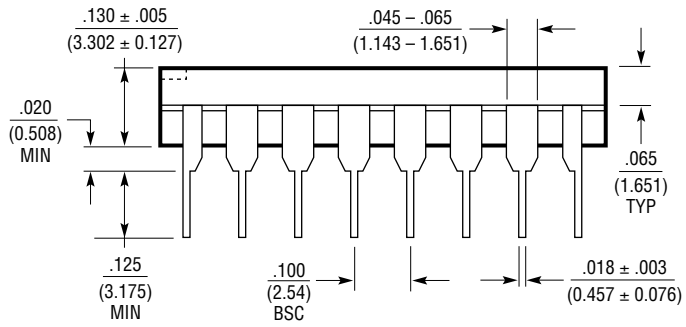
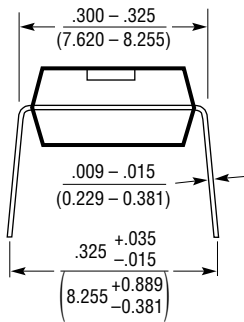
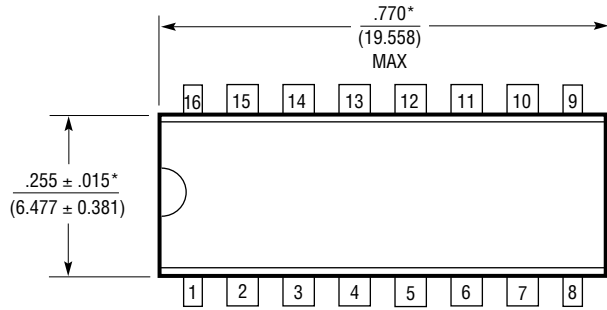
J Package
16-Lead CERDIP (Narrow .300 Inch, Hermetic)
 (Reference LTC DWG # 05-08-1110)



OBSOLETE PACKAGE

PACKAGE DESCRIPTION

N Package
16-Lead PDIP (Narrow .300 Inch)
 (Reference LTC DWG # 05-08-1510)

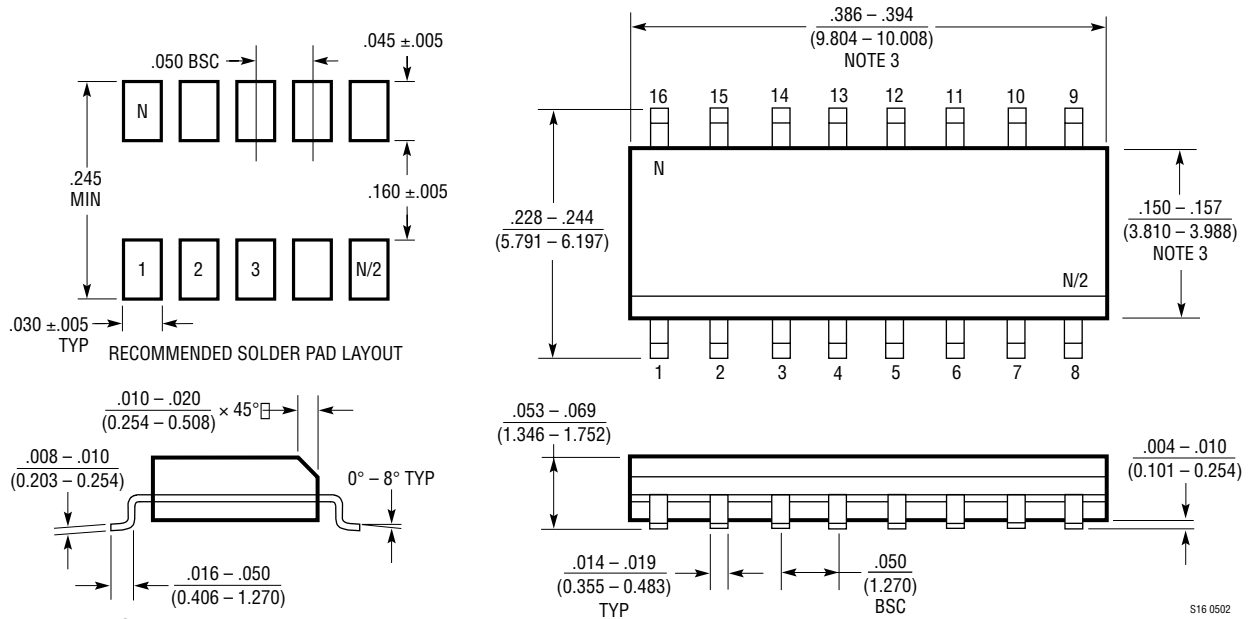


NOTE:
 1. DIMENSIONS ARE $\frac{\text{INCHES}}{\text{MILLIMETERS}}$
 *THESE DIMENSIONS DO NOT INCLUDE MOLD FLASH OR PROTRUSIONS.
 MOLD FLASH OR PROTRUSIONS SHALL NOT EXCEED .010 INCH (0.254mm)

N16 0502

PACKAGE DESCRIPTION

S Package 16-Lead Plastic Small Outline (Narrow .150 Inch) (Reference LTC DWG # 05-08-1610)



- NOTE:
 1. DIMENSIONS IN INCHES (MILLIMETERS)
 2. DRAWING NOT TO SCALE
 3. THESE DIMENSIONS DO NOT INCLUDE MOLD FLASH OR PROTRUSIONS. MOLD FLASH OR PROTRUSIONS SHALL NOT EXCEED $.006''$ (0.15mm)

S16 0502

LTC221/LTC222

RELATED PARTS

| PART NUMBER | DESCRIPTION | COMMENTS |
|----------------------|---|--|
| LTC201/LTC202/LTC203 | Micropower, Low Charge Injection, Quad CMOS Analog Switches | DG201/DG202 Compatible |
| LTC1380/LTC1393 | 8-Channel/4-Channel Analog Multiplexer with SMBus Interface | 3V to $\pm 15V$, 8 Single Ended/4 Differential Inputs |
| LTC1390/LTC1391 | 8-Channel, Analog Multiplexer with Serial Interface | 3V to $\pm 15V$ Operation |



Компания «ЭлектроПласт» предлагает заключение долгосрочных отношений при поставках импортных электронных компонентов на взаимовыгодных условиях!

Наши преимущества:

- Оперативные поставки широкого спектра электронных компонентов отечественного и импортного производства напрямую от производителей и с крупнейших мировых складов;
- Поставка более 17-ти миллионов наименований электронных компонентов;
- Поставка сложных, дефицитных, либо снятых с производства позиций;
- Оперативные сроки поставки под заказ (от 5 рабочих дней);
- Экспресс доставка в любую точку России;
- Техническая поддержка проекта, помощь в подборе аналогов, поставка прототипов;
- Система менеджмента качества сертифицирована по Международному стандарту ISO 9001;
- Лицензия ФСБ на осуществление работ с использованием сведений, составляющих государственную тайну;
- Поставка специализированных компонентов (Xilinx, Altera, Analog Devices, Intersil, Interpoint, Microsemi, Aeroflex, Peregrine, Syfer, Eurofarad, Texas Instrument, Miteq, Cobham, E2V, MA-COM, Hittite, Mini-Circuits, General Dynamics и др.);

Помимо этого, одним из направлений компании «ЭлектроПласт» является направление «Источники питания». Мы предлагаем Вам помощь Конструкторского отдела:

- Подбор оптимального решения, техническое обоснование при выборе компонента;
- Подбор аналогов;
- Консультации по применению компонента;
- Поставка образцов и прототипов;
- Техническая поддержка проекта;
- Защита от снятия компонента с производства.



Как с нами связаться

Телефон: 8 (812) 309 58 32 (многоканальный)

Факс: 8 (812) 320-02-42

Электронная почта: org@eplast1.ru

Адрес: 198099, г. Санкт-Петербург, ул. Калинина, дом 2, корпус 4, литера А.