

## Chip Ferrite Bead BLM31□□□□SZ1□ Murata Standard Reference Specification [AEC-Q200]

### 1. Scope

This reference specification applies to Chip Ferrite Bead for Automotive Electronics BLM31\_SZ Series based on AEC-Q200 except for Power train and Safety.

### 2. Part Numbering

(ex.)  $\frac{BL}{(1)}$   $\frac{M}{(2)}$   $\frac{31}{(3)}$   $\frac{PG}{(4)}$   $\frac{601}{(5)}$   $\frac{S}{(6)}$   $\frac{Z}{(7)}$   $\frac{1}{(8)}$   $\frac{L}{(9)}$

(1)Product ID

(2)Type

(3)Dimension (L×W)

(4)Characteristics

(5)Typical Impedance at 100MHz

(6)Performance

(7)Category (for Automotive Electronics)

(8)Numbers of Circuit

(9)Packaging (L: Taping)

### 3. Rating

| Customer Part Number | MURATA Part Number | Impedance (Ω)<br>(at 100MHz, Under Standard Testing Condition) | Rated Current (mA)<br>(Note1) |          | DC Resistance (Ω max.) |                      | ESD Rank<br>2:2kV |
|----------------------|--------------------|--|-------------------------------|----------|------------------------|----------------------|-------------------|
|                      |                    |  | at 85°C                       | at 125°C | Initial Values         | Values After Testing |                   |
|                      | BLM31PG330SZ1L     | 33±25%   | 6000                          | 3500     | 0.009                  | 0.018                | 2                 |
|                      | BLM31PG330SZ1B     |  |                               |          |                        |                      |                   |
|                      | BLM31PG500SZ1L     | 35 min.  | 3500                          | 2300     | 0.015                  | 0.03                 |                   |
|                      | BLM31PG500SZ1B     |  |                               |          |                        |                      |                   |
|                      | BLM31PG121SZ1L     | 120±25%  | 3500                          | 2000     | 0.02                   | 0.04                 |                   |
|                      | BLM31PG121SZ1B     |  |                               |          |                        |                      |                   |
|                      | BLM31PG391SZ1L     | 390±25%  | 2000                          | 1250     | 0.05                   | 0.10                 |                   |
|                      | BLM31PG391SZ1B     |  |                               |          |                        |                      |                   |
|                      | BLM31PG601SZ1L     | 600±25%  | 1500                          | 1000     | 0.08                   | 0.16                 |                   |
|                      | BLM31PG601SZ1B     |  |                               |          |                        |                      |                   |
|                      | BLM31SN500SZ1L     | 50±12.5Ω   | 12000                         | 10000    | 0.0016                 | 0.0021               |                   |
|                      | BLM31SN500SZ1B     |  |                               |          |                        |                      |                   |

- Operating Temperature: -55°C to +125°C
- Storage Temperature: -55°C to +125°C

#### Standard Testing Conditions

< Unless otherwise specified >

Temperature : Ordinary Temp. (15 °C to 35 °C )

Humidity : Ordinary Humidity (25%(RH) to 85%(RH))

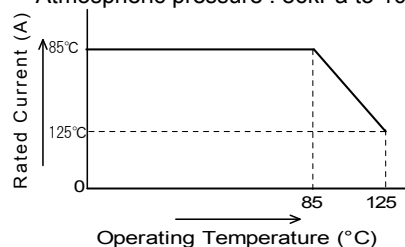
< In case of doubt >

Temperature : 20°C±2 °C

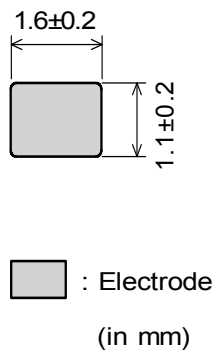
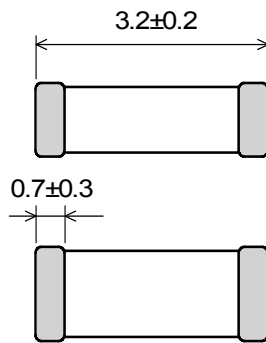
Humidity : 60%(RH) to 70%(RH)

Atmospheric pressure : 86kPa to 106kPa

(Note1)Rated Current is derated as right figure depending on the operating temperature.



**4. Style and Dimensions**



■ Equivalent Circuit



( Resistance element becomes dominant at high frequencies. )

■ Unit Mass (Typical value)  
0.025 g

**5. Marking**

No marking.

(in mm)

**6. Specifications**

**6-1. Electrical**

| No.   | Item          | Specification | Test Method   |
|-------|---------------|---------------|---|
| 6-1-1 | Impedance     | Meet item 3.  | Measuring Frequency : 100MHz±1MHz<br>Measuring Equipment : KEYSIGHT4291A or the equivalent<br>Test Fixture : KEYSIGHT16192A or the equivalent |
| 6-1-2 | DC Resistance | Meet item 3.  | Measuring Equipment : Digital multi meter<br>*Except resistance of the Substrate and Wire   |

**6-2. Mechanical Performance (based on Table 13 for FILTER EMI SUPPRESSORS/ FILTERS)  
AEC-Q200 Rev.D issued June. 1 2010**

| AEC-Q200                     |  |  | Murata Specification / Deviation  |         |  |            |           |                              |  |               |              |
|------------------------------|--|--|---|---------|--|------------|-----------|------------------------------|--|---------------|--------------|
| No.                          | Stress                                   | Test Method  |   |         |  |            |           |                              |  |               |              |
| 3                            | High Temperature Exposure                | 1000hours at 125 deg C<br>Set for 24hours at room temperature, then measured.                | Meet Table A after testing.<br><table border="1" style="margin-left: 20px;"> <thead> <tr> <th colspan="2">Table A</th> </tr> </thead> <tbody> <tr> <td>Appearance</td> <td>No damage</td> </tr> <tr> <td>Impedance Change (at 100MHz)</td> <td>Within ±30%<br/>(for BLM31SN within ±50%)</td> </tr> <tr> <td>DC Resistance</td> <td>Meet item 3.</td> </tr> </tbody> </table> | Table A |  | Appearance | No damage | Impedance Change (at 100MHz) | Within ±30%<br>(for BLM31SN within ±50%) | DC Resistance | Meet item 3. |
| Table A                      |  |  |   |         |  |            |           |                              |  |               |              |
| Appearance                   | No damage                                |  |   |         |  |            |           |                              |  |               |              |
| Impedance Change (at 100MHz) | Within ±30%<br>(for BLM31SN within ±50%) |  |   |         |  |            |           |                              |  |               |              |
| DC Resistance                | Meet item 3.                             |  |   |         |  |            |           |                              |  |               |              |
| 4                            | Temperature Cycling                      | 1000cycles<br>-55 deg C to +125 deg C<br>Set for 24hours at room temperature, then measured. | Meet Table A after testing.   |         |  |            |           |                              |  |               |              |
| 5                            | Destructive Physical Analysis            | Per EIA469<br>No electrical tests  | No defects  |         |  |            |           |                              |  |               |              |
| 7                            | Biased Humidity                          | 1000hours at 85 deg C,<br>85%RH<br>Apply max rated current.                                  | Meet Table A after testing.   |         |  |            |           |                              |  |               |              |
| 8                            | Operational Life                         | Apply 125 deg C<br>1000hours<br>Set for 24hours at room temperature, then measured           | Meet Table A after testing.<br>If the rated current of parts exceed 1A,<br>the operating temperature should be 85 deg C.  |         |  |            |           |                              |  |               |              |
| 9                            | External Visual                          | Visual inspection  | No abnormalities  |         |  |            |           |                              |  |               |              |

| AEC-Q200                     |                                 |  | Murata Specification / Deviation   |            |           |                              |             |               |              |
|------------------------------|---------------------------------|--|--|------------|-----------|------------------------------|-------------|---------------|--------------|
| No.                          | Stress                          | Test Method  |  |            |           |                              |             |               |              |
| 10                           | Physical Dimension              | Meet ITEM 4<br>(Style and Dimensions)  | No defects   |            |           |                              |             |               |              |
| 12                           | Resistance to Solvents          | Per MIL-STD-202 Method 215   | Not Applicable   |            |           |                              |             |               |              |
| 13                           | Mechanical Shock                | Per MIL-STD-202 Method 213<br>Condition F:<br>1500g's(14.7N)/0.5ms/<br>Half sine     | Meet Table B after testing.<br>Table B<br><table border="1" style="margin-left: 20px;"> <tr> <td>Appearance</td> <td>No damage</td> </tr> <tr> <td>Impedance Change (at 100MHz)</td> <td>Within ±30%</td> </tr> <tr> <td>DC Resistance</td> <td>Meet item 3.</td> </tr> </table> | Appearance | No damage | Impedance Change (at 100MHz) | Within ±30% | DC Resistance | Meet item 3. |
| Appearance                   | No damage                       |  |  |            |           |                              |             |               |              |
| Impedance Change (at 100MHz) | Within ±30%                     |  |  |            |           |                              |             |               |              |
| DC Resistance                | Meet item 3.                    |  |  |            |           |                              |             |               |              |
| 14                           | Vibration                       | 5g's(0.049N) for 20 minutes, 12cycles each of 3 orientations<br>Test from 10-2000Hz. | Meet Table B after testing.  |            |           |                              |             |               |              |
| 15                           | Resistance to Soldering Heat    | Solder temperature 260C+/-5 deg C<br>Immersion time 10s                              | Pre-heating:150C +/-10 deg,60s to 90s<br>Meet Table A after testing.   |            |           |                              |             |               |              |
| 17                           | ESD                             | Per AEC-Q200-002   | Meet Table A after testing.<br>ESD Rank: Refer to Item 3. Rating   |            |           |                              |             |               |              |
| 18                           | Solderability                   | Per J-STD-002  | Method b : Not Applicable<br>95% of the terminations is to be soldered.  |            |           |                              |             |               |              |
| 19                           | Electrical Characterization     | Measured : Impedance   | No defects   |            |           |                              |             |               |              |
| 20                           | Flammability                    | Per UL-94  | Not Applicable   |            |           |                              |             |               |              |
| 21                           | Board Flex                      | Epoxy-PCB(1.6mm)<br>Deflection 2mm(min)<br>60s minimum holding time                  | Meet Table B after testing.  |            |           |                              |             |               |              |
| 22                           | Terminal Strength               | Per AEC-Q200-006   | No defects   |            |           |                              |             |               |              |
| 30                           | Electrical Transient Conduction | Per ISO-7637-2   | Not Applicable   |            |           |                              |             |               |              |

**7. Specification of Packaging**

**7-1. Appearance and Dimensions (8mm-wide plastic tape)**



\*Dimension of the Cavity is measured at the bottom side.



**7-4. Specification of Outer Case**



| Outer Case Dimensions (mm) |     |    | Standard Reel Quantity in Outer Case (Reel) |
|----------------------------|-----|----|---|
| W                          | D   | H  |   |
| 186                        | 186 | 93 | 5   |

\* Above Outer Case size is typical. It depends on a quantity of an order.

**8. ⚠ Caution**

**8-1. Rating**

Do not use products beyond the Operating Temperature Range and Rated Current.

**8-2. Surge current**

Excessive surge current (pulse current or rush current) than specified rated current applied to the product may cause a critical failure, such as an open circuit, burnout caused by excessive temperature rise. Please contact us in advance in case of applying the surge current.

**8-3. Fail Safe**

Be sure to provide an appropriate fail-safe function on your product to prevent from a second damage that may be caused by the abnormal function or the failure of our products.

**8-4. Limitation of Applications**

Please contact us before using our products for the applications listed below which require especially high reliability for the prevention of defects which might directly cause damage to the third party's life, body or property.

- |                                  |   |
|----------------------------------|---|
| (1)Aircraft equipment            | (6)Disaster prevention / crime prevention equipment   |
| (2)Aerospace equipment           | (7)Traffic signal equipment   |
| (3)Undersea equipment            | (8)Transportation equipment (trains,ships,etc.)   |
| (4)Power plant control equipment | (9) Data-processing equipment   |
| (5)Medical equipment             | (10)Applications of similar complexity and /or reliability requirements to the applications listed in the above |

**9. Notice**

This product is designed for solder mounting.

Please consult us in advance for applying other mounting method such as conductive adhesive.

**9-1. Land pattern designing**

- Standard land dimensions (Flow and Reflow soldering)



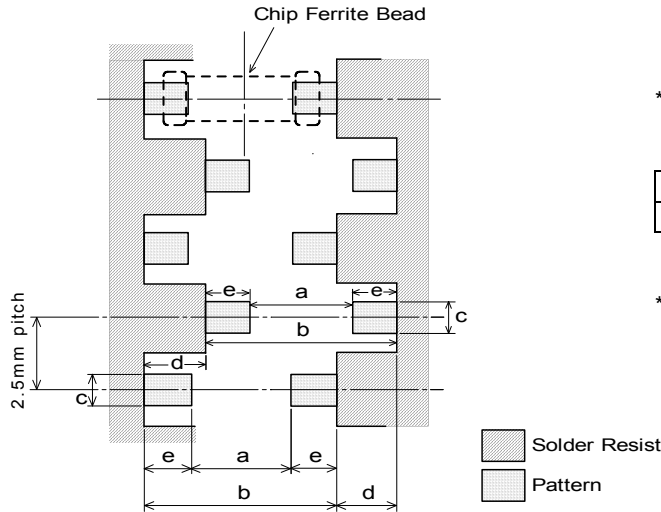
| Type    | Rated Current (A) | Land pad thickness and dimension d |      |      |
|---------|-------------------|------------------------------------|------|------|
|         |                   | 18μm                               | 35μm | 70μm |
| BLM31PG | 1.5/2             | 1.8                                | 1.8  | 1.8  |
|         | 3.5               | 2.4                                | 1.8  | 1.8  |
|         | 6                 | 6.4                                | 3.3  | 1.8  |
| BLM31SN | 10~12             | -                                  | 9.8  | 4.9  |

(in mm)

\*The excessive heat by land pads may cause deterioration at joint of products with substrate.

| Type    | Soldering | a   | b   | c   |
|---------|-----------|-----|-----|-----|
| BLM31PG | Flow      | 2.4 | 4.7 | 1.2 |
|         | Reflow    | 2.0 | 4.3 | 1.8 |

• Land dimensions on Flow soldering for 2.5mm pitch mounting



\*As for BLM31PG type, taking land pad thickness and rated current into account.

| a   | b   | c   | d   | e    |
|-----|-----|-----|-----|------|
| 2.4 | 4.7 | 1.2 | 1.3 | 1.35 |

(in mm)

\*The pattern shall be designed to above drawing to prevent causing the solder bridge when products are mounted by 2.5mm pitch flow soldering.

9-2. Soldering Conditions

Products can be applied to reflow and flow soldering.

(1) Flux, Solder

|        |  |
|--------|--|
| Flux   | Use rosin-based flux, but not highly acidic flux (with chlorine content exceeding 0.2(wt)%.)<br>Do not use water-soluble flux. |
| Solder | Use Sn-3.0Ag-0.5Cu solder<br>Standard thickness of solder paste : 100 μm to 200 μm   |

(2) Soldering conditions

- Pre-heating should be in such a way that the temperature difference between solder and ferrite surface is limited to 150°C max. Also cooling into solvent after soldering should be in such a way that the temperature difference is limited to 100°C max.

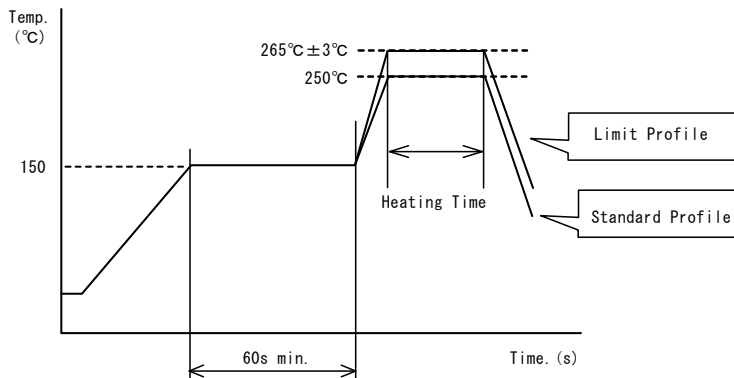
Insufficient pre-heating may cause cracks on the ferrite, resulting in the deterioration of product quality.

- Standard soldering profile and the limit soldering profile is as follows.

The excessive limit soldering conditions may cause leaching of the electrode and / or resulting in the deterioration of product quality.

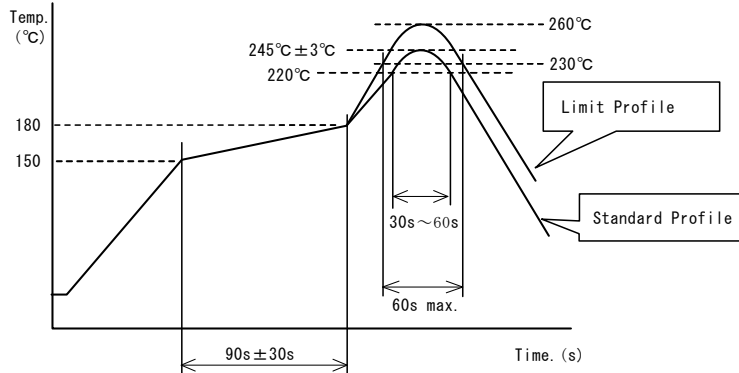
(3) soldering profile

□ Flow soldering profile



|               | Standard Profile | Limit Profile       |
|---------------|------------------|---------------------|
| Pre-heating   | 150°C、60s min.   |                     |
| Heating       | 250°C、4~6s       | 265°C ± 3°C、5s max. |
| Cycle of flow | 2 times          | 2 times             |

□ Reflow soldering profile



|                  | Standard Profile    | Limit Profile        |
|------------------|---------------------|----------------------|
| Pre-heating      | 150~180°C、90s±30s   |                      |
| Heating          | above 220°C、30s~60s | above 230°C、60s max. |
| Peak temperature | 245±3°C             | 260°C,10s            |
| Cycle of reflow  | 2 times             | 2 times              |

**9-3. Reworking with soldering iron**

- Pre-heating: 150°C, 1 min
- Tip temperature: 350°C max.
- Soldering time : 3 (+1, -0) seconds.
- Soldering iron output: 80W max.
- Tip diameter: φ 3mm max.
- Times : 2times max.

Note: Do not directly touch the products with the tip of the soldering iron in order to prevent the crack on the ferrite material due to the thermal shock.

**9-4. Solder Volume**

Solder shall be used not to be exceed as shown below.



Accordingly increasing the solder volume, the mechanical stress to product is also increased. Exceeding solder volume may cause the failure of mechanical or electrical performance.

**9-5. Attention regarding P.C.B. bending**

The following shall be considered when designing and laying out P.C.B.'s.

- (1) P.C.B. shall be designed so that products are not subject to the mechanical stress for board warpage.  
 <Products direction>



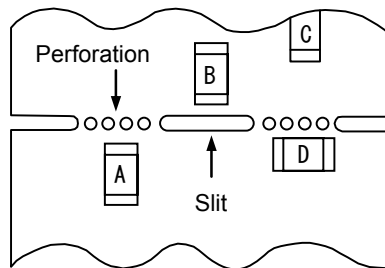
Products shall be located in the sideways direction (Length: a<b) to the mechanical stress.

(2) Components location on P.C.B. separation.

It is effective to implement the following measures, to reduce stress in separating the board.

It is best to implement all of the following three measures; however, implement as many measures as possible to reduce stress.

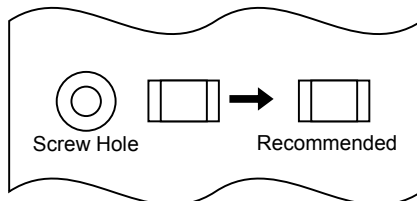
| Contents of Measures   | Stress Level |
|--|--------------|
| (1) Turn the mounting direction of the component parallel to the board separation surface. | A > D *1     |
| (2) Add slits in the board separation part.  | A > B        |
| (3) Keep the mounting position of the component away from the board separation surface.    | A > C        |



\*1 A > D is valid when stress is added vertically to the perforation as with Hand Separation.  
If a Cutting Disc is used, stress will be diagonal to the PCB, therefore A > D is invalid.

(3) Mounting Components Near Screw Holes

When a component is mounted near a screw hole, it may be affected by the board deflection that occurs during the tightening of the screw. Mount the component in a position as far away from the screw holes as possible.



### 9-6. Mounting density

Add special attention to radiating heat of products when mounting the inductor near the products with heating. The excessive heat by other products may cause deterioration at joint of this product with substrate.

### 9-7. Operating Environment

Do not use this product under the following environmental conditions, on deterioration of the Insulation Resistance of the Ferrite material and/or corrosion of Inner Electrode may result from the use.

- (1) in the corrodible atmosphere such as acidic gases, alkaline gases, chlorine, sulfur gases, organic gases and etc (the sea breeze, Cl<sub>2</sub>, H<sub>2</sub>S, NH<sub>3</sub>, SO<sub>2</sub>, NO<sub>2</sub>, etc)
- (2) in the atmosphere where liquid such as organic solvent, may splash on the products.
- (3) in the atmosphere where the temperature / humidity changes rapidly and it is easy to dew.

### 9-8. Resin coating

The impedance value may change and/or it may affect on the product's performance due to high cure-stress of resin to be used for coating / molding products. So please pay your careful attention when you select resin. In prior to use, please make the reliability evaluation with the product mounted in your application set.



**9-9. Cleaning Conditions**

Products shall be cleaned on the following conditions.

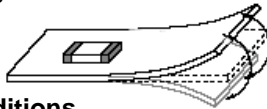
- (1) Cleaning temperature shall be limited to 60°C max. (40°C max. for IPA.)
- (2) Ultrasonic cleaning shall comply with the following conditions, avoiding the resonance phenomenon at the mounted products and P.C.B.  
Power:20W/ℓ max. Frequency:28kHz to 40kHz Time:5 min max.
- (3) Cleaner
  1. Alternative cleaner
    - Isopropyl alcohol (IPA)
  2. Aqueous agent
    - PINE ALPHA ST-100S
- (4) There shall be no residual flux and residual cleaner after cleaning.  
In the case of using aqueous agent, products shall be dried completely after rinse with de-ionized water in order to remove the cleaner.
- (5) Other cleaning  
Please contact us.

**9-10. Handling of a substrate**

After mounting products on a substrate, do not apply any stress to the product caused by bending or twisting to the substrate when cropping the substrate, inserting and removing a connector from the substrate or tightening screw to the substrate.

Excessive mechanical stress may cause cracking in the product.

Bending



Twisting

**9-11. Storage Conditions**

- (1) Storage period  
Use the products within 6 months after delivered.  
Solderability should be checked if this period is exceeded.
- (2) Storage conditions
  - Products should be stored in the warehouse on the following conditions.  
Temperature : -10°C to 40°C  
Humidity : 15% to 85% relative humidity  
No rapid change on temperature and humidity
  - Don't keep products in corrosive gases such as sulfur, chlorine gas or acid, or it may cause oxidization of electrode, resulting in poor solderability.
  - Products should be stored on the palette for the prevention of the influence from humidity, dust and so on.
  - Products should be stored in the warehouse without heat shock, vibration, direct sunlight and so on.
  - Products should be stored under the airtight packaged condition.
- (3) Delivery  
Care should be taken when transporting or handling product to avoid excessive vibration or mechanical shock.

**10. ⚠ Note**

- (1) Please make sure that your product has been evaluated in view of your specifications with our product being mounted to your product.
- (2) You are requested not to use our product deviating from the agreed specifications.
- (3) The contents of this reference specification are subject to change without advance notice. Please approve our product specifications or transact the approval sheet for product specifications before ordering.



Компания «ЭлектроПласт» предлагает заключение долгосрочных отношений при поставках импортных электронных компонентов на взаимовыгодных условиях!

Наши преимущества:

- Оперативные поставки широкого спектра электронных компонентов отечественного и импортного производства напрямую от производителей и с крупнейших мировых складов;
- Поставка более 17-ти миллионов наименований электронных компонентов;
- Поставка сложных, дефицитных, либо снятых с производства позиций;
- Оперативные сроки поставки под заказ (от 5 рабочих дней);
- Экспресс доставка в любую точку России;
- Техническая поддержка проекта, помощь в подборе аналогов, поставка прототипов;
- Система менеджмента качества сертифицирована по Международному стандарту ISO 9001;
- Лицензия ФСБ на осуществление работ с использованием сведений, составляющих государственную тайну;
- Поставка специализированных компонентов (Xilinx, Altera, Analog Devices, Intersil, Interpoint, Microsemi, Aeroflex, Peregrine, Syfer, Eurofarad, Texas Instrument, Miteq, Cobham, E2V, MA-COM, Hittite, Mini-Circuits, General Dynamics и др.);

Помимо этого, одним из направлений компании «ЭлектроПласт» является направление «Источники питания». Мы предлагаем Вам помощь Конструкторского отдела:

- Подбор оптимального решения, техническое обоснование при выборе компонента;
- Подбор аналогов;
- Консультации по применению компонента;
- Поставка образцов и прототипов;
- Техническая поддержка проекта;
- Защита от снятия компонента с производства.



#### Как с нами связаться

**Телефон:** 8 (812) 309 58 32 (многоканальный)

**Факс:** 8 (812) 320-02-42

**Электронная почта:** [org@eplast1.ru](mailto:org@eplast1.ru)

**Адрес:** 198099, г. Санкт-Петербург, ул. Калинина, дом 2, корпус 4, литера А.