

## SERIES 50 SERIES 51

0.5" Diameter, 200mA,  
.698" Behind Panel

### FEATURES

- Optional Complete Seal for PC Board Assembly and Cleaning
- Small 1/2" Diameter
- Choice of 22.5°, 30°, 36°, 45°, 60° and 90° Angles of Throw
- Up to 4 Poles on 1 Deck
- Up to 16 Positions Per Switch
- PC or Solder Lug Termination
- Positive Shaft Grounding for EMI/RFI Shielding



### DIMENSIONS in inches (and millimeters)

#### PC Mount Style



Angle of Throw	Angle A	Angle of Throw	Angle A
22.5°	101.25°	45°	112.5°
30°	105°	60°	120°
36°	108°	90°	135°

Dimension	Series 50	Series 51
D	.500 ± .015 (12,70 ± 0,38)	.562 ± .015 (14,27 ± 0,38)

Dimension	Style T	All Others	All 22.5°
B	.576 ± .015 (14,63 ± 0,38)	.537 ± .015 (13,64 ± 0,38)	.537 ± .015 (13,64 ± 0,38)

#### Solder Lug Style



Dimension	30°, 36°, 45°, 60°, 90°	22.5°
B	.658 ± .015 (16,71 ± 0,38)	.591 ± .020 (15,01 ± 0,50)
C	.234 ± .015 (5,94 ± 0,38)	.200 ± .015 (5,08 ± 0,38)
E	.153 ± .015 (3,89 ± 0,38)	.12 ± .015 (3,05 ± 0,38)

CIRCUIT DIAGRAMS AND REAR VIEWS: Solder Lug and PC Mount



Rotary Switches

## SPECIFICATIONS

### Military Qualification

The dimensions for qualified switches are the same as those indicated in the drawings of standard switches. Switches with standard variations, such as shaft and bushing length, which do not affect switch performance, can be marked as qualified product. Contact Grayhill for complete information on variations.

**36°, 45°, 60°, 90° (Series 50):** The C and M style switches are qualified to MIL-S-3786/20. They include the following:

- Solder lug or PC terminals
- With or without panel seal

Series 50 qualified switches may be ordered by the 'M' number or by the Grayhill part number.

**30° (Series 51):** The C and M style switches are qualified to MIL-S-3786/35. They include the following:

- Solder lug or PC terminals
- With or without panel seal

Series 51 qualified switches may be ordered by the 'M' number or by the Grayhill part number.

### Electrical Ratings

**Life Expectancy:** With the limiting criteria stated here, the Series 50 and 51 with non-shorting contacts will switch the following loads at atmospheric and reduced pressures for 25,000 cycles of operations. One cycle is 360° rotation clockwise and 360° return.

At 85°C, atmospheric pressure	
200 mA,	28 Vdc resistive
150 mA,	115 Vac resistive
30 mA,	28 Vdc inductive
100 mA,	28 Vdc lamp load
75 mA,	220 Vac lamp load

At 25°C, reduced pressure (70,000 feet)

200 mA,	28 Vdc resistive
150 mA,	115 Vac resistive
75 mA,	220 Vac resistive

**Contact Resistance:** 20 milliohms maximum, (10 milliohms initially).

**Insulation Resistance:** 1,000 Mohms minimum between mutually insulated parts.

**Voltage Breakdown:** 600 Vac minimum between mutually insulated parts at standard atmospheric pressure.

**Life Expectancy:** Listed for the voltage source and make and break current levels. Contact Grayhill for more information if any of the following is true: the life limiting criteria are more critical than those listed; longer operation is required; a larger make and break current is required; the operating environment includes elevated temperatures or reduced pressures.

**Contact Carry Rating:** Switch will carry 6 amperes continuously with a maximum contact temperature rise of 20°C.

## SPECIFICATIONS: Other

### Additional Characteristics

**Contact Type and Forces:** Shorting or non-shorting wiping contacts with over 80 grams of contact force.

**Shaft Flat Orientation:** Flat opposite contacting position of pole number one (see circuit diagrams).

**Terminals:** Switches have the full circle of terminals, regardless of number of active position.

**Stop Strength:** 7.5 pound-inches minimum

**Rotational Torque:** 8–24 ounce-inches, depending on the number of poles.

### Materials and Finishes

**Switch Base:** Thermoset

**Detent Rotor:** Nylon

**Shaft, Stop Blades, Stop Arm, Thrust washer, and Retaining Ring:** Stainless steel

**Detent Balls:** Steel, nickel-plated

**Bushing:** Zinc, tin-zinc plated

**Detent and Contact Springs:** Stainless steel

**Common Ring:** Brass, gold-plated over silver plate.

**Terminals:** Brass, gold-plated over silver plate and nickel plate

**Rotor Contact:** Precious metal alloy, gold-plated

**Panel Seal:** Silicone rubber

**Shaft Seal:** Fluorosilicone

**Mounting Nuts:** Brass, tin-zinc plated

**Mounting Hardware:** One mounting nut .089" thick by .375" across flats and one internal tooth lockwasher are supplied with the switch.

**Maximum Mounting Torque:** 15in-lbs

## PROCESS SEALED—Style T

Switch can be mounted on PC board with other components and subjected to wave soldering and conventional board cleaning techniques. No secondary wiring or soldering is necessary.

Bushing is o-ring sealed; epoxy potting seals the terminals and the rear of the switch. Designed for PC assembly, this sealing technique can also be applied to solder lug terminal switches. A bushing to panel seal can also be added to the process sealed versions. Military qualified versions are available, see ordering information.

## 1/4" SHAFT: Style K



**SUGGESTED ADJUSTABLE STOP SUBSTITUTION GUIDE**

Fixed Stop Style	Adj. Stop Style Equivalent	Fixed Stop Style	Adj. Stop Style Equivalent
50A	50D	51A	51D
50C	50CD	51C	51CD
50CP	50CDP	51CP	51CDP
50M	50CD*	51M	51CD*
50MP	50CDP*	51MP	51CDP*
50P	50DP	51P	51DP
50S	50D*	51S	51D*
50SP	50DP*	51SP	51DP*

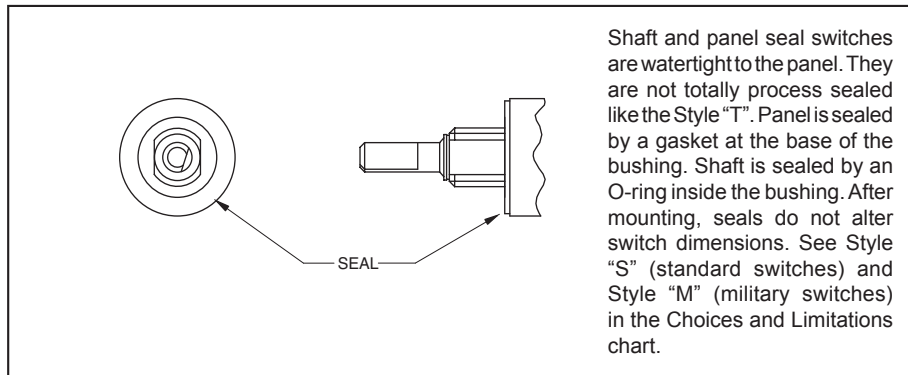
\*Form fit and function equivalents, but not watertight sealed to the panel.

**ADJUSTABLE STOPS: Style D**

Adjustable stops permit the user to set and reset the number of positions per poles. Shown in the diagram, a plastic washer can be removed to reveal slots at the base of the bushing. Stop blades can be inserted into the appropriate slots to limit switch rotation. Positions per pole configuration can thus be changed to meet the needs of the application. Dimensions are the same as the fixed stop version, when plastic washer is in place. Most desirable for prototype work. Readily available from local distributor.

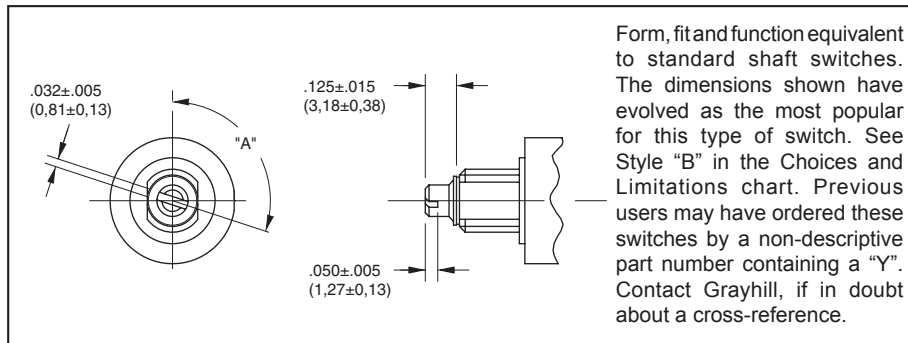


**SHAFT AND PANEL SEAL: Styles S and M**



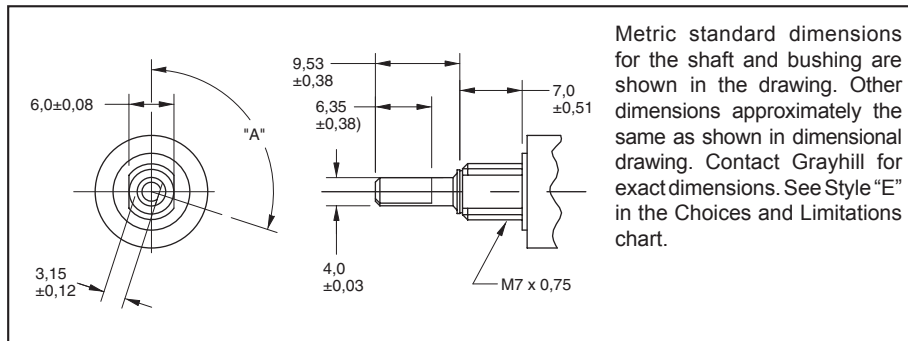
Shaft and panel seal switches are watertight to the panel. They are not totally process sealed like the Style "T". Panel is sealed by a gasket at the base of the bushing. Shaft is sealed by an O-ring inside the bushing. After mounting, seals do not alter switch dimensions. See Style "S" (standard switches) and Style "M" (military switches) in the Choices and Limitations chart.

**SCREWDRIVER SLOTTED SHAFT: Style B**



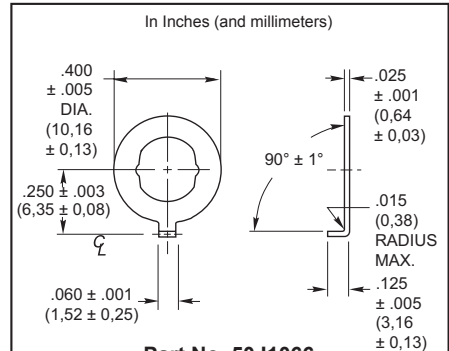
Form, fit and function equivalent to standard shaft switches. The dimensions shown have evolved as the most popular for this type of switch. See Style "B" in the Choices and Limitations chart. Previous users may have ordered these switches by a non-descriptive part number containing a "Y". Contact Grayhill, if in doubt about a cross-reference.

**METRIC SHAFT AND BUSHING: Style E**



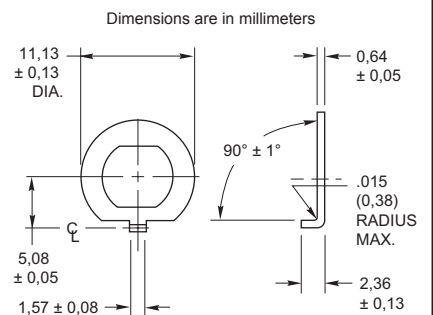
Metric standard dimensions for the shaft and bushing are shown in the drawing. Other dimensions approximately the same as shown in dimensional drawing. Contact Grayhill for exact dimensions. See Style "E" in the Choices and Limitations chart.

**ACCESSORY: Non-Turn Washers**



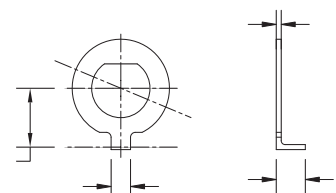
**Part No. 50J1066**

Cut round hole for the bushing and for the non-turn tab. Washer fits the double D bushing flats. Washer is sold only when accompanied by an order for a like number of switches. Washer is 302 stainless steel.



**Part No. 71J1103**

Designed to fit the double flatted bushing of the metric dimensioned bushing, this non-turn washer permits a round hole for the bushing and the tab while still preventing switch rotation. Washer is only sold when accompanied by a like number of switches. Washer is 302 stainless steel.



**Part No. 50J5140-4**

Designed to fit the single flatted bushing of the "K" style switches, this non-turn washer prevents switch rotation when using a full round hole in the panel. Washer is only sold when accompanied by a like number of switches. Washer is 302 stainless steel.

Rotary Switches

## CHOICES AND LIMITATIONS: Series 50

A = Standard, 1/8" Shaft  
 B = Screwdriver Slot Shaft  
 C = Military, Without Panel Seal  
 D = Adjustable Stop (Adj. Stop)

E = Metric, 4mm Shaft  
 K = 1/4" Shaft  
 M = Military

P = PC Mount Terminals  
 S = Shaft/Panel Seal (S/P Seal)  
 T = Process Sealed

### Standard Style

Series	Style Choices <sup>1</sup>			Terminals	Angle of Throw	Number of Poles	Number of Positions Per Pole	Shorting or Non-Shorting Contacts		
	Std., 1/8" Shaft	1/4" Shaft	Metric, 4mm Shaft							
50	A	K	E	Solder Lug	36°	1	02 thru 10	N or S		
	AT					2	02 thru 05	N or S		
	B				KST	EST	45°	1	02 thru 08	N
	BS							2	02 thru 04	N
	BST	KB	EB		60°	1	02 thru 06	N		
	BT					2	02 or 03	N		
	D	KBS	EBS		90°	1	02 thru 04	N		
	S					2	02	N		
ST	KT	EBT								
50	BP	KP	EP	PC Mount	36°	1	02 thru 10	N or S		
	BPT					2	02 thru 05	N or S		
	BSP				KSP	ESP	45°	1	02 thru 08	N
	BSPT							2	02 thru 04	N
	DP	KBP	EBP		60°	1	02 thru 06	N		
	P					2	02 or 03	N		
	PT	KBSPT	KBSPT		90°	1	02 thru 04	N		
	SP					2	02	N		
SPT	KBT	EBT								

### Military Style

Series	Style Choices			Terminals	Angle of Throw	Number of Poles	Number of Positions Per Pole	Shorting or Non-Shorting Contacts		
	Std., 1/8" Shaft	1/4" Shaft	Metric, 4mm Shaft							
50	C	KM	EM	Solder Lug	36°	1	02 thru 10	N or S		
	CB					2	02 thru 05	N or S		
	CBT				KMB	EMB	45°	1	02 thru 08	N
	CD							2	02 thru 04	N
	CT	KMBT	EMBT		60°	1	02 thru 06	N		
	M					2	02 or 03	N		
	MB	KMT	EMT		90°	1	02 thru 04	N		
	MBT					2	02	N		
MT										
50	CBP	KMBP	EMBP	PC Mount	36°	1	02 thru 10	N or S		
	CBPT					2	02 thru 05	N or S		
	CDP				KMBPT	EMBPT	45°	1	02 thru 08	N
	CP							2	02 thru 04	N
	CPT	KMP	EMP		60°	1	02 thru 06	N		
	MBP					2	02 or 03	N		
	MBPT	KMPT	EMPT		90°	1	02 thru 04	N		
	MP					2	02	N		
MPT										

**CHOICES AND LIMITATIONS: Series 51**

A = Standard, 1/8" Shaft  
 B = Screwdriver Slot Shaft  
 C = Military, Without Panel Seal  
 D = Adjustable Stop (Adj. Stop)

E = Metric, 4mm Shaft  
 K = 1/4" Shaft  
 M = Military

P = PC Mount Terminals  
 S = Shaft/Panel Seal (S/P Seal)  
 T = Process Sealed

**Standard Style**

Series	Std., 1/8" Shaft	Style Choices <sup>1</sup> 1/4" Shaft	Metric, 4mm Shaft <sup>1</sup>	Terminals	Angle of Throw	Number of Poles	Number of Positions Per Pole	Shorting or Non-Shorting Contacts
51	A AT B BT S ST BS BST	SEE BELOW	SEE BELOW	Solder Lug	22.5°	1 2	02 thru 16 02 thru 08	N or S N or S
	A AT B BT BS BST BT BT D D S S ST ST	K KS KST KT	E ES EST ET	Solder Lug	30°	1 2 3 4	02 thru 12 02 thru 06 02 thru 04 02 or 03	N or S N or S N or S N or S
	P PT BP BPT SP SPT BSP BSPT	SEE BELOW	SEE BELOW	PC Mount	22.5°	1 2	02 thru 16 02 thru 08	N or S N or S
	BP BPT BSP BSPT DP DP P P PT PT SP SP SPT SPT	KP KPT KSP KSPT	EP EPT ESP ESPT	PC Mount	30°	1 2 3 4	02 thru 12 02 thru 06 02 thru 04 02 or 03	N or S N or S N or S N or S

**Military Style**

Series	Std., 1/8" Shaft	Style Choices 1/4" Shaft	Metric, 4mm Shaft	Terminals	Angle of Throw	Number of Poles	Number of Positions Per Pole	Shorting or Non-Shorting Contacts
51	C CB CBT CD CT M MB MBT MT	KM KMB KMBT KMT	EM EMB EMBT EMT	Solder Lug	30°	1 2 3 4	02 thru 12 02 thru 06 02 thru 04 02 or 03	N or S N or S N or S N or S
	CBP CBPT CDP CP CPT MBP MBPT MP MPT	KMBP KMBPT KMP KMPT	EMBP EMBPT EMP EMPT	PC Mount	30°	1 2 3 4	02 thru 12 02 thru 06 02 thru 04 02 or 03	N or S N or S N or S N or S

<sup>1</sup> Contact Grayhill if 1/4" or metric shaft required with a 22.5° angle of throw.

Rotary Switches

## ADDITIONAL FEATURES

Economy keylock switch, isolated position, spring return, and coded switches are available in similar series. See Keylock and Special Function Rotary Switch sections.

**Available from your local Grayhill Distributor.**  
For prices and discounts, contact a local Sales Office, an authorized local Distributor, or Grayhill.

## ORDERING INFORMATION: Series 50



\* All rotary switches that are required to have military designated markings and testing adhering to MIL-3786 are to be ordered by specifying the military part number identified on the appropriate slash sheet.

## ORDERING INFORMATION: Series 51



\* All rotary switches that are required to have military designated markings and testing adhering to MIL-3786 are to be ordered by specifying the military part number identified on the appropriate slash sheet.





Компания «ЭлектроПласт» предлагает заключение долгосрочных отношений при поставках импортных электронных компонентов на взаимовыгодных условиях!

Наши преимущества:

- Оперативные поставки широкого спектра электронных компонентов отечественного и импортного производства напрямую от производителей и с крупнейших мировых складов;
- Поставка более 17-ти миллионов наименований электронных компонентов;
- Поставка сложных, дефицитных, либо снятых с производства позиций;
- Оперативные сроки поставки под заказ (от 5 рабочих дней);
- Экспресс доставка в любую точку России;
- Техническая поддержка проекта, помощь в подборе аналогов, поставка прототипов;
- Система менеджмента качества сертифицирована по Международному стандарту ISO 9001;
- Лицензия ФСБ на осуществление работ с использованием сведений, составляющих государственную тайну;
- Поставка специализированных компонентов (Xilinx, Altera, Analog Devices, Intersil, Interpoint, Microsemi, Aeroflex, Peregrine, Syfer, Eurofarad, Texas Instrument, Miteq, Cobham, E2V, MA-COM, Hittite, Mini-Circuits, General Dynamics и др.);

Помимо этого, одним из направлений компании «ЭлектроПласт» является направление «Источники питания». Мы предлагаем Вам помощь Конструкторского отдела:

- Подбор оптимального решения, техническое обоснование при выборе компонента;
- Подбор аналогов;
- Консультации по применению компонента;
- Поставка образцов и прототипов;
- Техническая поддержка проекта;
- Защита от снятия компонента с производства.



#### Как с нами связаться

**Телефон:** 8 (812) 309 58 32 (многоканальный)

**Факс:** 8 (812) 320-02-42

**Электронная почта:** [org@eplast1.ru](mailto:org@eplast1.ru)

**Адрес:** 198099, г. Санкт-Петербург, ул. Калинина, дом 2, корпус 4, литера А.